

INSTALLATION INSTRUCTIONS

⚠ WARNING

To prevent serious injury or death:

- 1- Lock-out/tag-out before performing maintenance.
- 2- If system power is required (e.g., smoke detector maintenance), disable power to blower, remove fan belt where applicable, and ensure all controllers and thermostats are set to the “OFF” position before performing maintenance.
- 3- Always keep hands, hair, clothing, jewelry, tools, etc., away from moving parts.

Table of Contents

Dimensions	4
Parts Arrangement	5
Shipping and Packing List	6
General	6
Requirements	6
Unit Support	8
Duct Connection	9
Rigging Unit for Lifting	9
Condensate Drains	9
Connect Gas Piping (Gas Units)	11
Pressure Test Gas Piping (Gas Units)	12
High Altitude Derate.	13
Electrical Connections - Power Supply	13
Electrical Connections - Control Wiring	13
Mobile Servie App.	16
Blower Operation	19
Direct Drive Blower Start-Up	21
Refrigerant Leak Detection System.	24

LGT/LCT092H (7.5 TON)

LGT/LCT102H (8.5 TON)

LGT/LCT120H (10 TON)

LGT/LCT150H (12.5 TON)

PACKAGED UNITS

508456-01
6/2024

R-454B

⚠ WARNING

Improper installation, adjustment, alteration, service or maintenance can cause property damage, personal injury or loss of life. Installation and service must be performed by a licensed professional HVAC installer or equivalent, service agency, or the gas supplier.

Cooling Start-Up	24
Diagnostic Sensors	35
RDS Sensors	37
Gas Heat Start-Up (Gas Units)	38
Heating Operation and Adjustments	39
Electric Heat Start-Up (Cooling Units)	39
Cooling Operation.	40
Modulating Hot Gas Reheat Start-Up and Operation	41
Preventative Maintenance / Repair	43
Field-Installed Accessories	58
Factory Unit Controller Settings.	58
Decommissioning	61

RETAIN THESE INSTRUCTIONS FOR FUTURE REFERENCES

Attention!

Use this QR code to download the mobile service app. Follow the prompts to pair the app with the Unit Controller. Refer to the “Mobile Service App” section in this manual. The QR code is also available in the unit control area.



The app can be downloaded from the appropriate iOS or Android store. Look for the following icon.



CAUTION

As with any mechanical equipment, contact with sharp sheet metal edges can result in personal injury. Take care while handling this equipment and wear gloves and protective clothing.

WARNING

Only manufacturer approved auxiliary devices are permitted to be installed in this unit.

WARNING

If this appliance is conditioning a space with an area smaller than T_{Amin} or stored in a space with an area smaller than A_{min} as defined by this instruction, then that space must be without continuously operating open flames (e.g. an operating gas appliance) or other potential ignition sources (e.g. an operating electric heater or similar hot surface). A flame-producing device may be installed in the same space if the device is provided with an effective flame arrest system.

CAUTION

Auxiliary devices which may be a potential ignition source shall not be installed in the duct work. Examples of such potential ignition sources are hot surfaces with a temperature exceeding 700°C and electric switching devices.

CAUTION

The appliance is not to be used by persons (including children) with reduced physical, sensory or mental capabilities, or lack of experience and knowledge, unless they have been given supervision or instruction

CAUTION

Children should be supervised not to play with the appliance.

CAUTION

Any personnel installing, decommissioning, or performing maintenance on the unit must be properly trained with A2L refrigerants.

CAUTION

Servicing shall be performed only as recommended by the manufacturer.

WARNING

•This appliance must be installed in accordance with local and national wiring regulations.

•If the appliance is not fitted with an option for full disconnection from power, a means of disconnection must be incorporated in the fixed wiring in accordance with national and local wiring regulations.

CAUTION

Leak Detection System installed. Unit must be powered except for service.

WARNING

•Do not use means to accelerate the defrosting process or to clean, other than those recommended by the manufacturer.

•The appliance shall be stored in a room without continuously operating ignition sources (for example: open flames, an operating gas appliance, or an operating electric heater).

•Do not pierce or burn.

•Be aware that refrigerants may not contain an odor

WARNING

Ducts connected to an appliance shall not contain a potential ignition source.

IMPORTANT

Pipe work, including piping material, pipe routing, and installation shall include protection from physical damage in operation and service, and be in compliance with national and local codes and standards, such as ASHRAE 15, ASHRAE 15.2, IAPMO Uniform Mechanical Code, ICC International Mechanical Code, or CSA B52. All field joints shall be accessible for inspection prior to being covered or enclosed.

IMPORTANT

Refrigerant sensors for refrigerant detection systems shall only be replaced with sensors specified by the appliance manufacturer.

CAUTION

This unit is equipped with electrically powered safety measures. To be effective, the unit must be electrically powered at all times after installation, other than when servicing.

A2L Refrigerant Considerations

Ensure that the work area is adequately ventilated before breaking into the system or conducting any hot work. A degree of ventilation shall continue during the period that the work is carried out. The ventilation should safely disperse any released refrigerant and preferably expel it externally into the atmosphere.

Check that cabling will not be subject to wear, corrosion, excessive pressure, vibration, sharp edges or any other adverse environmental effects, taking into account the effects of aging or continual vibration from sources such as compressors or fans.

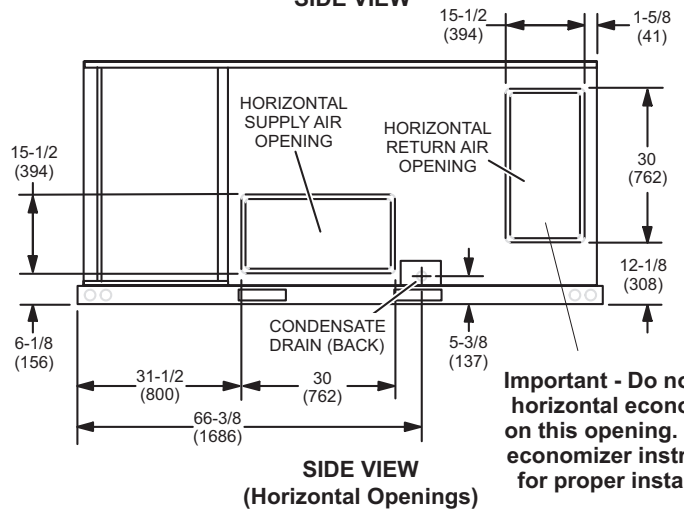
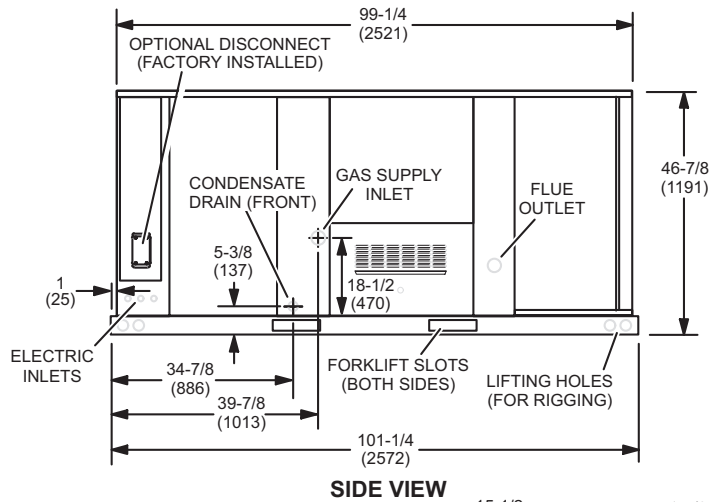
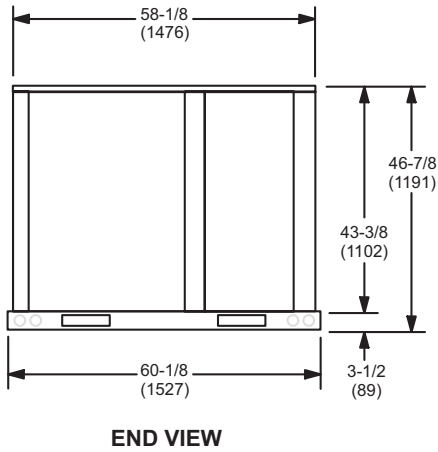
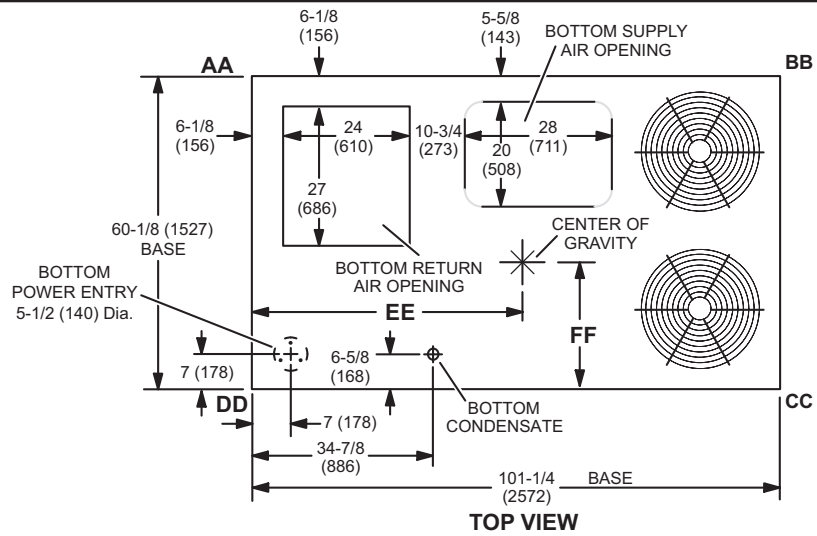
Under no circumstances shall potential sources of ignition be used when searching for or detection of refrigerant leaks. A halide torch (or any other detector using a naked flame) shall not be used. Electronic leak detectors may be used to detect refrigerant leaks but, in the case of flammable refrigerants, the sensitivity may not be adequate, or may need re-calibration. (Detection equipment shall be calibrated in a refrigerant-free area.) Ensure that the detector is not a potential source of ignition and is suitable for the refrigerant used. Leak detection equipment shall be set at a percentage of the LFL of the refrigerant and shall be calibrated to the refrigerant employed, and the appropriate percentage of gas (25% maximum) is confirmed. Leak detection fluids are also suitable for use with most refrigerants but the use of detergents containing chlorine shall be avoided as the chlorine may react with the refrigerant and corrode the copper pipe-work. If a leak is suspected, all naked flames shall be removed/extinguished. If a leakage of refrigerant is found which requires brazing, all of the refrigerant shall be recovered from the system, or isolated (by means of shut off valves) in a part of the system remote from the leak.

When breaking into the refrigerant circuit to make repairs – or for any other purpose – conventional procedures shall be used. However, for flammable refrigerants it is important that best practices be followed since flammability is a consideration. The following procedure shall be adhered to:

- Safely remove refrigerant following local and national regulations.
- Evacuate the circuit.
- Purge the circuit with inert gas.
- Evacuate.
- Purge the circuit with inert gas.
- Open the circuit

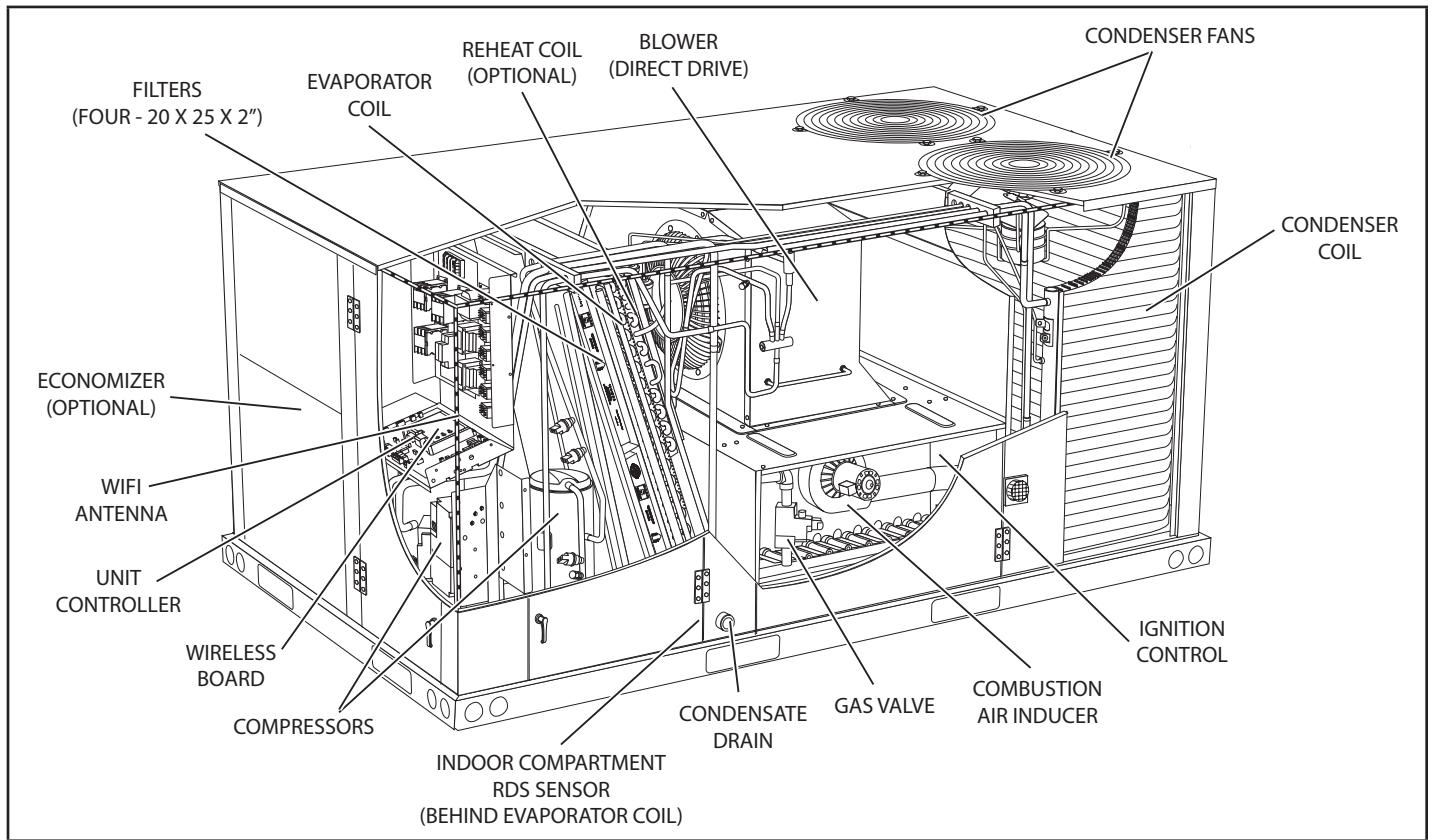
The refrigerant charge shall be recovered into the correct recovery cylinders if venting is not allowed by local and national codes. For appliances containing flammable refrigerants, the system shall be purged with oxygen-free nitrogen to render the appliance safe for flammable refrigerants. This process might need to be repeated several times. Compressed air or oxygen shall not be used for purging refrigerant systems. Refrigerants purging shall be achieved by breaking the vacuum in the system with oxygen-free nitrogen and continuing to fill until the working pressure is achieved, then venting to atmosphere, and finally pulling down to a vacuum. This process shall be vented down to atmospheric pressure to enable work to take place. Ensure that the outlet for the vacuum pump is not close to any potential ignition sources and that ventilation is available.

LGT/LCT092, 102, 120, 150 DIMENSIONS in. - Gas heat section shown

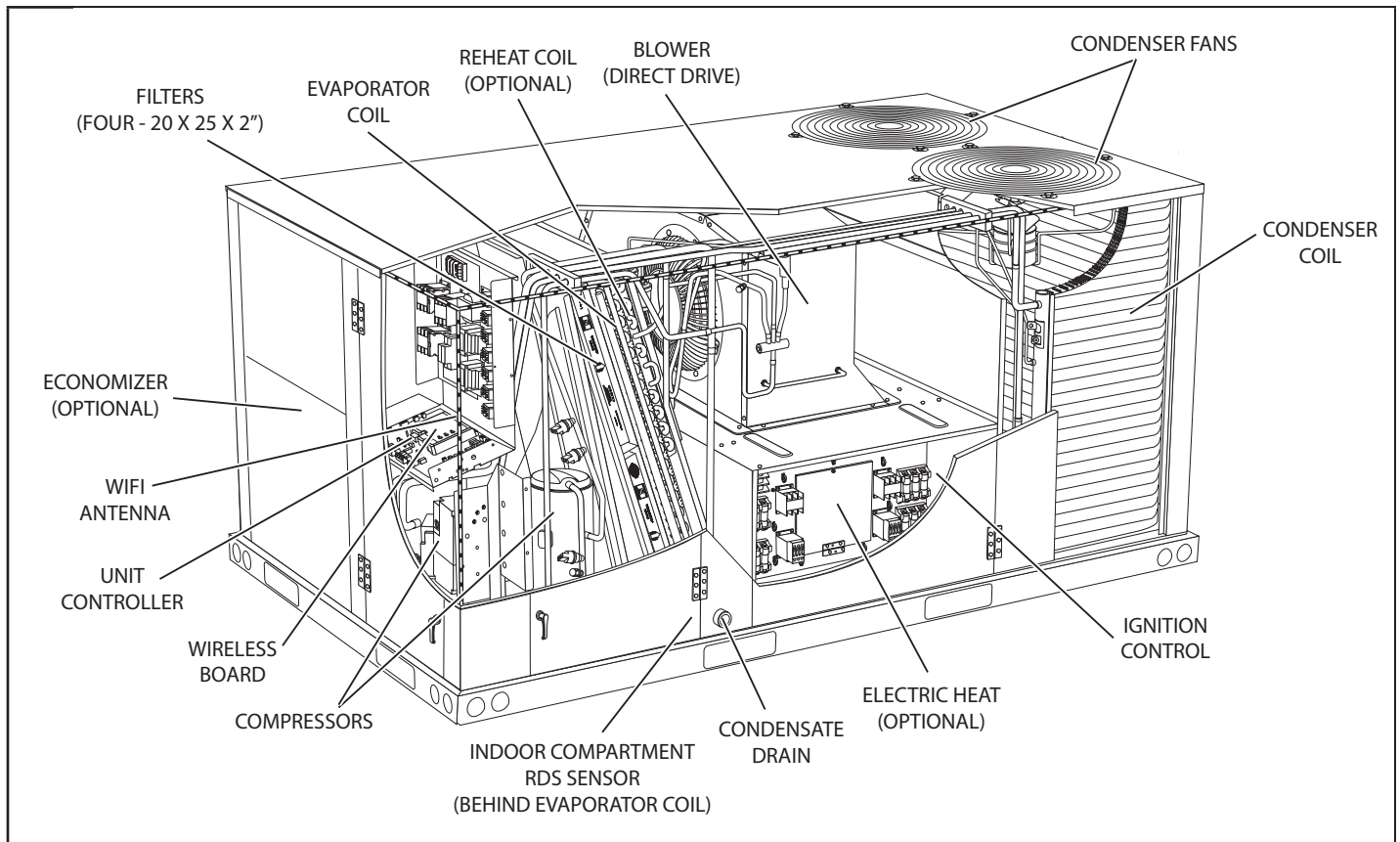


Important - Do not install horizontal economizers on this opening. Refer to economizer instructions for proper installation.

LGT092, 102, 120, 150 PARTS ARRANGEMENT



LCT092, 102, 120, 150 PARTS ARRANGEMENT



Shipping and Packing List

Package 1 of 1 contains:

- 1 - Assembled unit

Check unit for shipping damage. Receiving party should contact last carrier immediately if shipping damage is found.

General

These instructions are intended as a general guide and do not supersede local codes in any way. Authorities having jurisdiction should be consulted before installation.

The LGT092H-150H gas/electric packaged rooftop unit is available in 130,000, 180,000, or 240,000 Btuh heating inputs. The LCT092H-150H cooling packaged rooftop unit is the same basic design as the LGT unit except for the heating section. Optional electric heat is factory- or field-installed in LCT units.

Units are equipped with all-aluminum condenser coils. Units are available with an optional hot gas reheat coil which provides dehumidifying modes of operation. Refer to Reheat Operation section.

Units are equipped with direct drive blowers. The blower will operate at lower speeds when demand is low and increase to higher speeds when demand is high. Refer to the Direct Drive Start-Up section.

The following examples show the model numbers of ten ton units with blower options.


- LGT/LCT120H5E Single Zone MSAV Direct Drive
- LGT/LCT120H5P VAV Direct Drive

All units are available using R454B, an ozone-friendly HFC refrigerant. Refer to the Cooling Start-Up section for precautions when installing unit.

Requirements

See TABLE 1 for unit clearances.

⚠ WARNING



Electric shock hazard and danger of explosion. Can cause injury, death or product or property damage. Turn off gas and electrical power to unit before performing any maintenance or servicing operations on the unit. Follow lighting instructions attached to unit when putting unit back into operation and after service or maintenance.

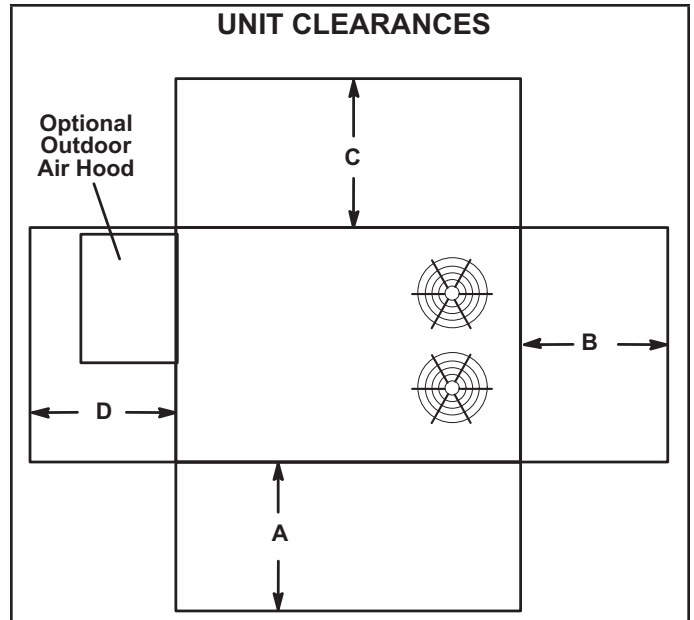


FIGURE 1

TABLE 1
UNIT CLEARANCES

¹ Unit Clearance	A in.(mm)	B in.(mm)	C in.(mm)	D in.(mm)	Top Clearance
Service Clearance	60 (1524)	36 (914)	36 (914)	60 (1524)	Unob- structed
Clearance to Combustibles	36 (914)	1 (25)	1 (25)	1 (25)	Unob- structed
Minimum Operation Clearance	36 (914)	36 (914)	36 (914)	36 (914)	Unob- structed

NOTE - Entire perimeter of unit base requires support when elevated above mounting surface.

- ¹ **Service Clearance** - Required for removal of serviceable parts.
- Clearance to Combustibles** - Required clearance to combustible material (gas units). On LCT units, see clearance to combustible materials as outlined on heater rating plate.
- Minimum Operation Clearance** - Required clearance for proper unit operation.

⚠ NOTICE

Roof Damage!

This system contains both refrigerant and oil. Some rubber roofing material may absorb oil, causing the rubber to swell. Bubbles in the rubber roofing material can cause leaks. Protect the roof surface to avoid exposure to refrigerant and oil during service and installation. Failure to follow this notice could result in damage to roof surface.

⚠ IMPORTANT

The Clean Air Act of 1990 bans the intentional venting of refrigerant (CFC's and HCFC's) as of July 1, 1992. Approved methods of recovery, recycling or reclaiming must be followed. Fines and/or incarceration may be levied for non-compliance.

Minimum R454B Space and CFM Requirements

Minimum Airflow ¹		
Unit	Q _{min} (CFM)	Q _{min} (m ³ h)
LCT/LGT092	165	281
LCT/LGT102	165	281
LCT/LGT120	155	264
LCT/LGT150	165	281
LCT/LGT092 W/ Humidrol	172	292
LCT/LGT102 W/ Humidrol	172	292
LCT/LGT120 W/ Humidrol	165	281
LCT/LGT150 W/ Humidrol	165	281

¹ **NOTE** - The minimum airflow is the lowest CFM allowed during venting operation (leak mitigation).

Minimum Room Area of Conditioned Space ²		
Unit	TA _{min} (ft ²)	TA _{min} (m ²)
LCT/LGT092	92	8.5
LCT/LGT102	92	8.5
LCT/LGT120	87	8.0
LCT/LGT150	92	8.5
LCT/LGT092 W/ Humidrol	96	8.8
LCT/LGT102 W/ Humidrol	96	8.8
LCT/LGT120 W/ Humidrol	92	8.5
LCT/LGT150 W/ Humidrol	92	8.5

² **NOTE** - The minimum room area of conditioned space is the smallest area the unit can service.

Refrigerant Charge R-454B		
Unit	M _c (lbs)	M _c (kg)
LCT/LGT092 STG 1	6.25	2.83
LCT/LGT092 STG 2	5.88	2.67
LCT/LGT102 STG 1	6.25	2.83
LCT/LGT102 STG 2	5.88	2.67
LCT/LGT120 STG 1	5.88	2.67
LCT/LGT120 STG 2	5.88	2.67
LCT/LGT150 STG 1	5.75	2.61
LCT/LGT150 STG 2	6.25	2.83
LCT/LGT092 W/ Humidrol STG 1	6.5	2.95
LCT/LGT092 W/ Humidrol STG 2	5.88	2.67
LCT/LGT102 W/ Humidrol STG 1	6.5	2.95
LCT/LGT102 W/ Humidrol STG 2	5.88	2.67
LCT/LGT120 W/ Humidrol STG 1	6.25	2.83
LCT/LGT120 W/ Humidrol STG 2	5.88	2.67
LCT/LGT150 W/ Humidrol STG 1	6.13	2.78
LCT/LGT150 W/ Humidrol STG 2	6.25	2.83

Altitude Adjustment Factor ³									
Halt	0	200	400	600	800	1000	1200	1400	1600
AF	1	1	1	1	1.02	1.05	1.04	1.1	1.12
Halt	1600	1800	2000	2200	2400	2600	2800	3000	3200
AF	1.12	1.15	1.18	1.21	1.25	1.28	1.32	1.36	1.4

³ **NOTE** - Use the Altitude Adjustment Factor to adjust the values in the tables above to different altitudes. Find the relevant altitude above sea level in the two "Halt" rows and then multiply the value needed from the tables above by the altitude factor number. Example: For the minimum airflow in CFM for an LCT/LGT092 at 1000 ft. above sea level, multiply 165 by 1.05 to get 173.25 CFM as the new Q_{min}.

Use of this unit as a construction heater or air conditioner is not recommended during any phase of construction. Very low return air temperatures, harmful vapors and operation of the unit with clogged or misplaced filters will damage the unit.

If this unit has been used for heating or cooling of buildings or structures under construction, the following conditions must be met or the warranty will be void:

- A room thermostat or zone air temperature sensor must control the unit. The use of fixed jumpers that will provide continuous heating or cooling is not allowed.
- A pre-filter must be installed at the entry to the return air duct.
- The return air duct must be provided and sealed to the unit.
- Return air temperature range between 55°F (13°C) and 80°F (27°C) must be maintained.
- Air filters must be replaced and pre-filters must be removed upon construction completion.
- The input rate and temperature rise must be set per the unit rating plate.
- The heat exchanger, components, duct system, air filters and evaporator coil must be thoroughly cleaned following final construction clean-up.
- The unit operating conditions (including airflow, cooling operation, ignition, input rate, temperature rise and venting) must be verified according to these installation instructions.

This appliance is not intended for use by persons (including children) with reduced physical, sensory, or mental capabilities, or lack of experience and knowledge, unless they have been given supervision or instruction concerning use of the appliance by a person responsible for their safety.

Unit Support

A-Downflow Discharge Applications

In downflow discharge installations, install the unit on a non-combustible surface only. Unit may be installed on combustible surfaces when used in horizontal discharge applications or in downflow discharge applications when installed on an C1CURB7*B roof mounting frame.

NOTE - Securely fasten roof frame to roof per local codes.

CAUTION

To reduce the likelihood of supply / return air by pass and promote a proper seal with the RTU, duct work / duct drops / diffuser assemblies must be supported independently to the building structure.

Roof Mounting with C1CURB7*B

- 1 - The C1CURB7*B roof mounting frame must be installed, flashed and sealed in accordance with the instructions provided with the frame.
- 2 - The C1CURB7*B roof mounting frame should be square and level to 1/16" per linear foot (5mm per linear meter) in any direction.
- 3 - Duct must be attached to the roof mounting frame and not to the unit; supply and return plenums must be installed before setting the unit.

Installer's Roof Mounting Frame

Many types of roof frames can be used to install the unit depending upon different roof structures. Items to keep in mind when using the building frame or supports are:

- 1 - The base is fully enclosed and insulated, so an enclosed frame is not required.
- 2 - The frames or supports must be constructed with non-combustible materials and should be square and level to 1/16" per linear foot (5mm per linear meter) in any direction.
- 3 - Frame or supports must be high enough to prevent any form of moisture from entering unit. Recommended minimum frame height is 14" (356mm).
- 4 - Duct must be attached to the roof mounting frame and not to the unit. Supply and return plenums must be installed before setting the unit.
- 5 - Units require support along all four sides of unit base. Supports must be constructed of steel or suitably treated wood materials.

NOTE - When installing a unit on a combustible surface for downflow discharge applications, an C1CURB7*B roof mounting frame is required.

B-Horizontal Discharge Applications

- 1 - Units installed in horizontal airflow applications must use a horizontal conversion kit K1HECK00.
- 2 - Specified installation clearances must be maintained when installing units. Refer to FIGURE 1.
- 3 - Top of support slab should be approximately 4" (102mm) above the finished grade and located so no run-off water from higher ground can collect around the unit.
- 4 - Units require support along all four sides of unit base. Supports must be constructed of steel or suitably treated wood materials.

Duct Connection

All exterior ducts, joints and openings in roof or building walls must be insulated and weather-proofed with flashing and sealing compounds in accordance with applicable codes. Any duct passing through an unconditioned space must be insulated.

CAUTION

In downflow applications, do not drill or punch holes in base of unit. Leaking in roof may occur if unit base is punctured.

Rigging Unit for Lifting

Rig unit for lifting by attaching four cables to holes in unit base rail. See FIGURE 2.

- 1 - Detach wooden base protection before rigging.

NOTE - Remove all 7 base protection brackets before setting unit.

- 2 - Connect rigging to the unit base using both holes in each corner.
- 3 - All panels must be in place for rigging.
- 4 - Place field-provided H-style pick in place just above top edge of unit. Frame must be of adequate strength and length. (H-style pick prevents damage to unit.)

Condensate Drains

Make drain connection to the 1" N.P.T. drain coupling provided on unit.

NOTE - The drain pan is made with a glass reinforced engineered plastic capable of withstanding typical joint torque but can be damaged with excessive force. Tighten pipe nipple hand tight and turn an additional quarter turn.

A trap must be installed between drain connection and an open vent for proper condensate removal. See FIGURE 3 or FIGURE 4. It is sometimes acceptable to drain condensate onto the roof or grade; however, a tee should be fitted to the trap to direct condensate downward. The condensate line must be vented. Check local codes concerning condensate disposal. Refer to page 1 and page 4 for condensate drain location.

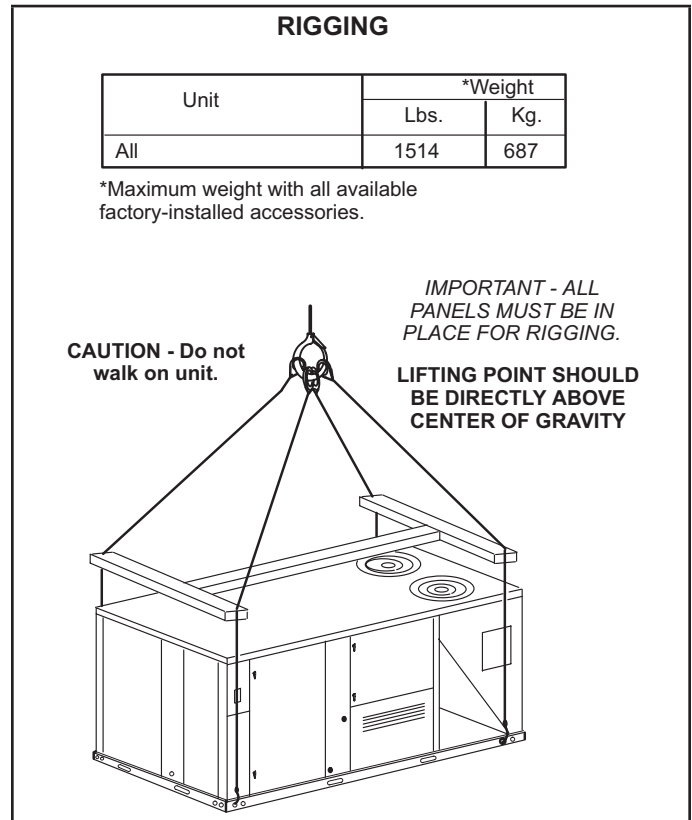


FIGURE 2

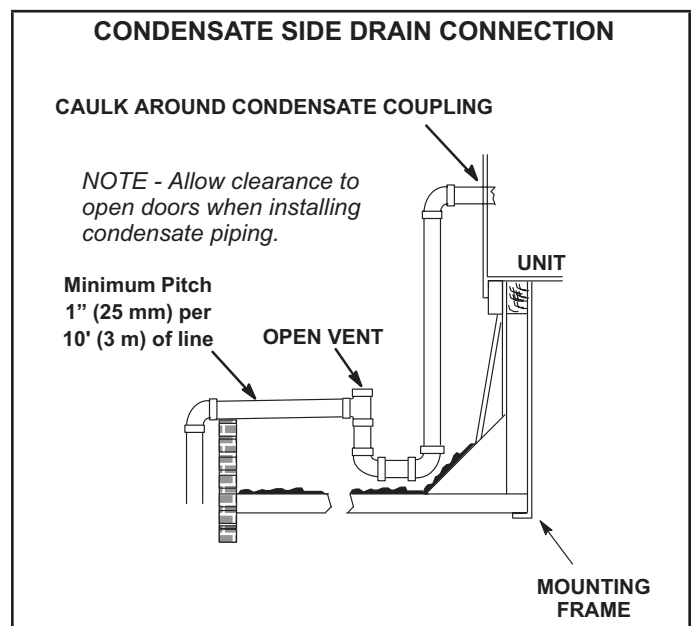


FIGURE 3

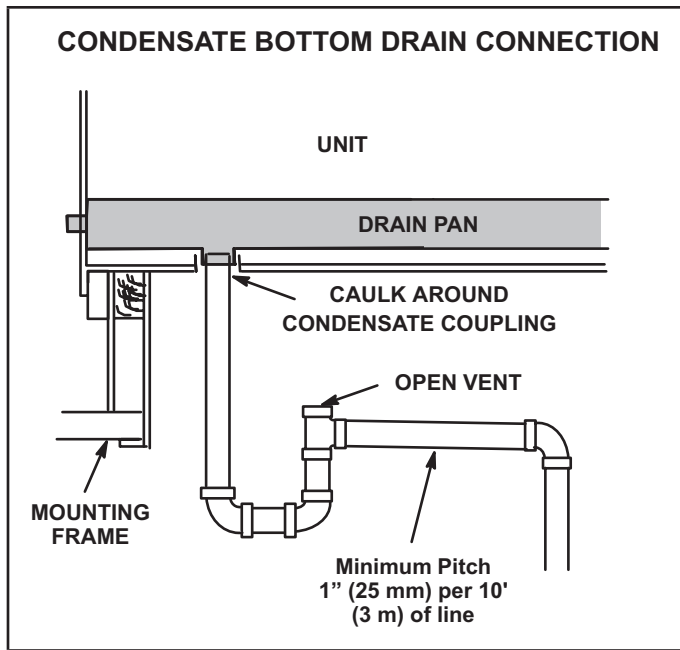


FIGURE 4

Units are shipped with the drain coupling facing the front of the unit. Condensate can be drained from the back or bottom of the unit with the following modifications. The unit can be installed in either downflow or horizontal air discharge regardless of condensate drain location.

Rear Drain Connection

1 - Open blower and heat access doors. See FIGURE 5.

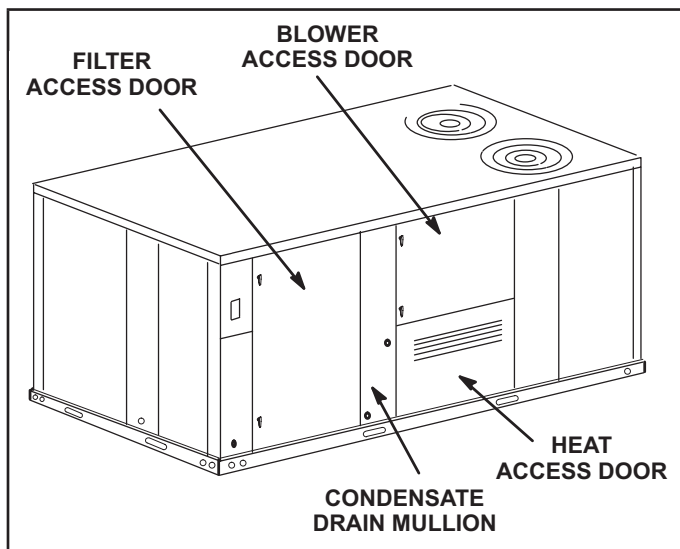


FIGURE 5

2 - Remove six screws from filter access door. Refer to FIGURE 6.

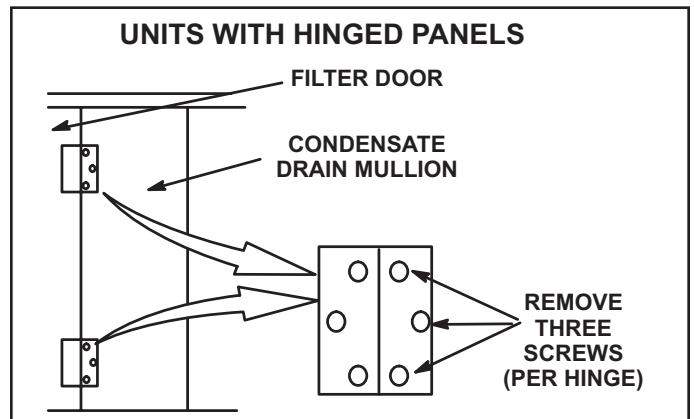


FIGURE 6

3 - Open filter access door hinges and carefully remove door.

4 - Remove eight screws holding condensate drain mullion and remove mullion.

5 - Lift front edge of the drain pan (to clear bottom drain plug) and slide drain pan out of unit. See FIGURE 7.

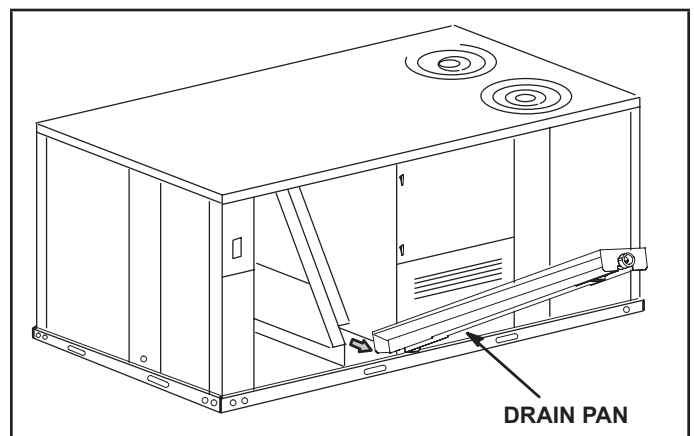


FIGURE 7

6 - Make sure the cap over the unit bottom drain hole is secure.

7 - Rotate the drain pan until the downward slope is toward the back of the unit. Slide the drain pan back into the unit. Be careful not to dislodge the cap over the bottom drain hole.

8 - From the back side of the unit, pull the drain pan coupling through the rear condensate opening.

9 - Replace the condensate drain mullion and reinstall eight screws.

10 - Reinstall filter door on hinges.

Bottom Drain Connection

- 1 - Open blower and heat access doors. See FIGURE 5.
- 2 - Remove six screws from filter access door. Refer to FIGURE 6.
- 3 - Open filter access door hinges and carefully remove door.
- 4 - Remove eight screws holding condensate drain mullion and remove mullion.
- 5 - Lift front edge of the drain pan (to clear bottom drain plug) and slide drain pan out of unit. See FIGURE 7.
- 6 - Turn the drain pan upside down and drill a pilot hole through the bottom of the drain pan in the center of the coupling. See FIGURE 8.

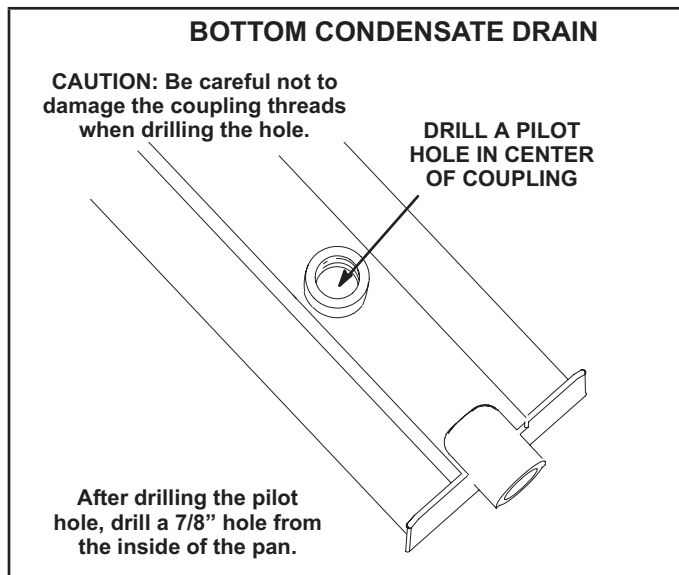


FIGURE 8

- 7 - From the inside of the pan, use a Vari-Bit® bit to enlarge the hole to 7/8". Do not damage coupling threads.
- 8 - Remove the cap over the unit bottom drain hole.
- 9 - Slide the drain pan back into the unit.
- 10 - From the back side of the unit, pull the drain pan coupling through the rear condensate opening.
- 11 - From the front side of the unit, move the drain pan until the bottom coupling settles into the unit bottom drain opening. Once in place, check to make sure the coupling is still positioned through the rear condensate drain hole.
- 12 - Use a field-provided 1" plug to seal side drain connection.
- 13 - Replace the condensate drain mullion and reinstall eight screws.
- 14 - Reinstall filter door on hinges.

Connect Gas Piping (Gas Units)

Before connecting piping, check with gas company or authorities having jurisdiction for local code requirements. When installing gas supply piping, length of run from gas meter must be considered in determining pipe size for 0.5" w.c. (.12kPa) maximum pressure drop. Do not use supply pipe smaller than unit gas connection. For natural gas units, operating pressure at the unit gas connection must be a minimum of 4.7" w.c. (1.17kPa) and a maximum of 10.5" (2.60kPa) w.c. For LP/propane gas units, operating pressure at the unit gas connection must be a minimum of 10.8" w.c. (2.69kPa) and a maximum of 13.5" w.c. (3.35kPa).

When making piping connections a drip leg should be installed on vertical pipe runs to serve as a trap for sediment or condensate. A 1/8" N.P.T. plugged tap is located on gas valve for test gauge connection. Refer to Heating Start-Up section for tap location. Install a ground joint union between the gas control manifold and the main manual shut-off valve. See FIGURE 9 for gas supply piping entering outside the unit. FIGURE 10 shows bottom gas entry piping through the curb. FIGURE 11 shows bottom gas entry piping through the unit.

Compounds used on threaded joints of gas piping shall be resistant to the action of liquefied petroleum gases.

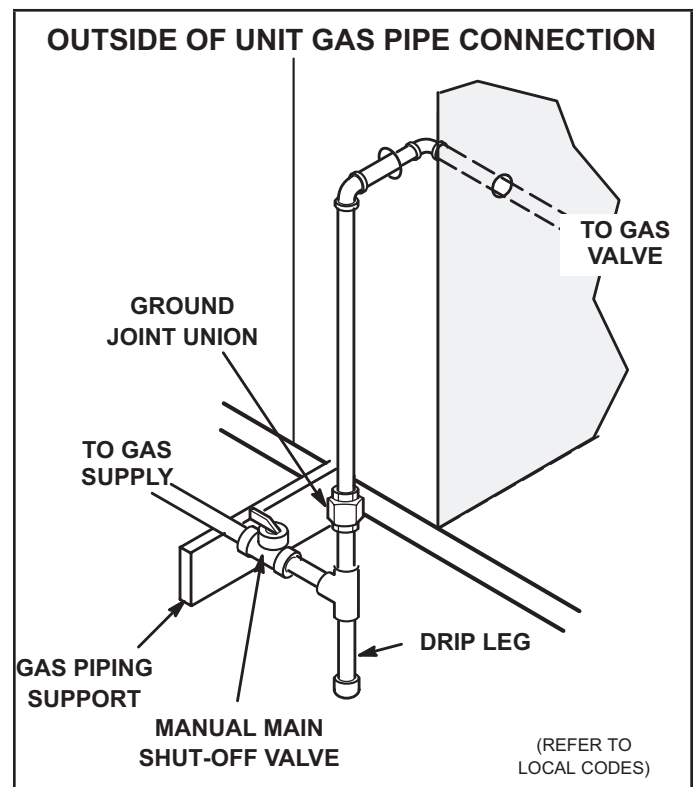


FIGURE 9

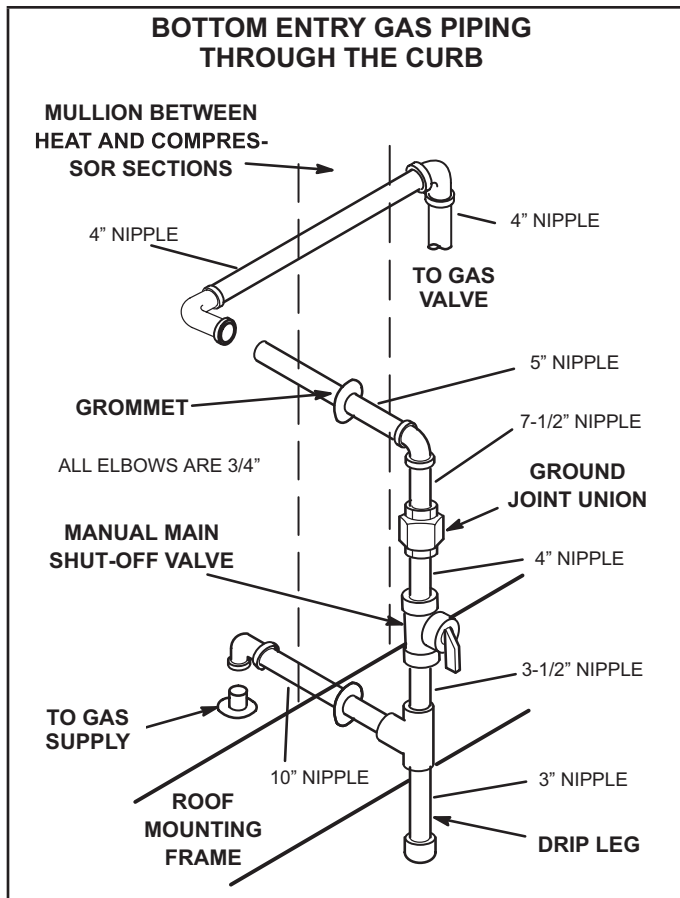


FIGURE 10

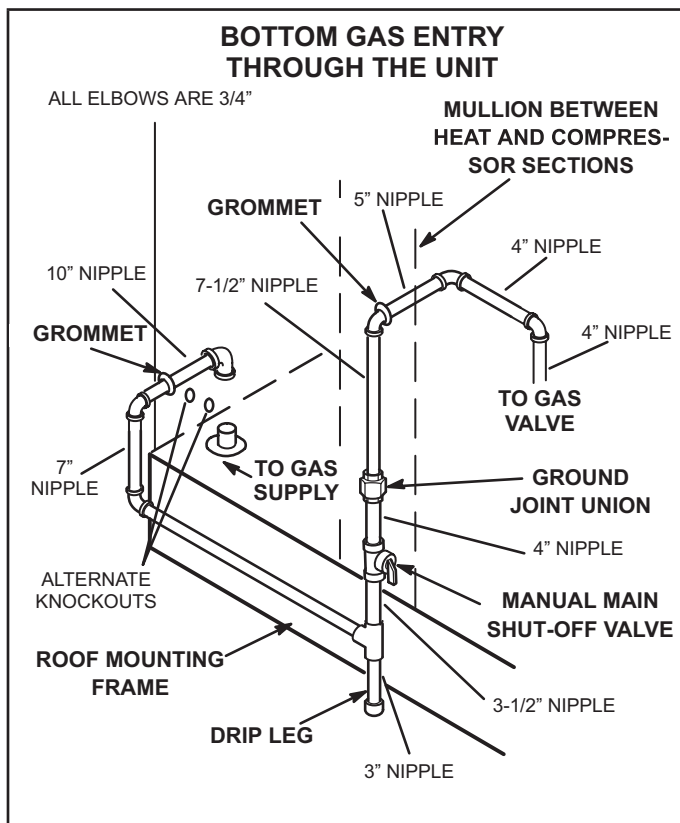


FIGURE 11

Pressure Test Gas Piping (Gas Units)

When pressure testing gas lines, the gas valve must be disconnected and isolated. Gas valves can be damaged if subjected to more than 0.5 psig (3.48kPa). See FIGURE 12.

NOTE - Codes may require that manual main shut-off valve and union (furnished by installer) be installed in gas line external to unit. Union must be of the ground joint type.

After all connections have been made, check all piping connections for gas leaks. Also check existing unit gas connections up to the gas valve; loosening may occur during installation. Use a leak detection solution or other preferred means. Do not use matches candles or other sources of ignition to check for gas leaks.

NOTE - In case emergency shut down is required, turn off the main manual shut-off valve and disconnect main power to unit. These devices should be properly labeled by the installer.

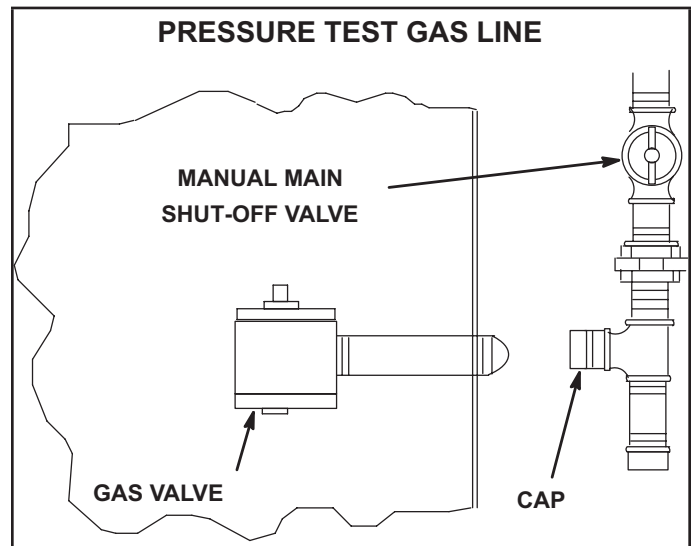


FIGURE 12

⚠ CAUTION

Some soaps used for leak detection are corrosive to certain metals. Carefully rinse piping thoroughly after leak test has been completed. Do not use matches, candles, flame or other sources of ignition to check for gas leaks.

⚠ WARNING



Danger of explosion. Can cause injury or product or property damage. Do not use matches, candles, flame or other sources of ignition to check for leaks.

High Altitude Derate

Locate the high altitude conversion sticker in the unit literature bag. Fill out the conversion sticker and affix next to the unit nameplate. High altitude kits are available for field-installation.

Refer to TABLE 2 for high altitude adjustments.

TABLE 2

Altitude Ft.*	Gas Manifold Pressure
2000-4500	See Unit Nameplate
4500 and Above	Derate 4% / 1000 Ft. above Sea Level

*Units installed at 0-2000 feet do not need to be modified.

NOTE - This is the only permissible derate for these units.

Electrical Connections - Power Supply

Route field wiring in conduit between bottom power entry disconnect. See FIGURE 13. This does not supersede local codes or authorities having jurisdiction.

Do not apply power or close disconnect switch until installation is complete. Refer to start-up directions. Refer closely to unit wiring diagram.

Refer to unit nameplate for minimum circuit ampacity and maximum fuse size.

- 1 - 230/460/575 volt units are factory wired. For 208V supply, disconnect the orange wire (230V) at all control power transformer(s). Reconnect the red wire (208V). Tape the exposed end of the 230V orange wire.
- 2 - Route power through the bottom power entry area. On gas units or units with electric heat, connect power wiring to TB2. On cooling only units, connect power to F4. If unit contains an optional factory-installed circuit breaker or disconnect switch, connect line voltage to CB10 or S48. See unit wiring diagram.

Connect separate 120v wiring to optional field-powered GFCI outlet. Route field wiring in conduit between bottom power entry and GFCI. See FIGURE 13. For unit-powered GFCI, no additional field wiring is required.

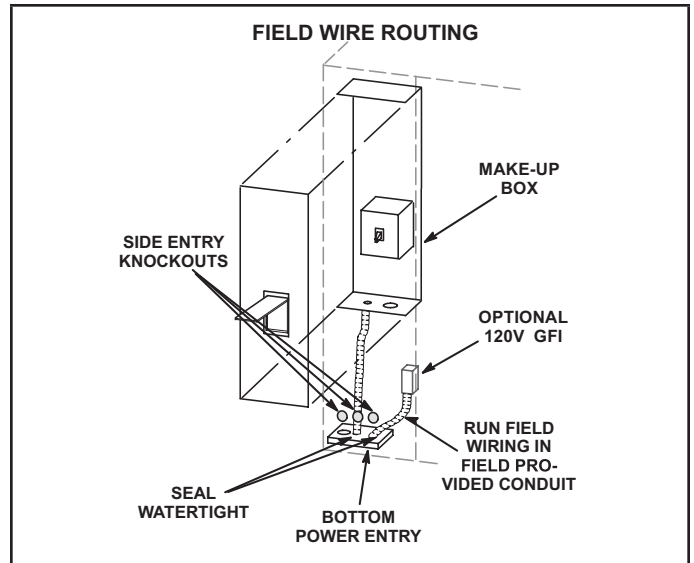


FIGURE 13

Electrical Connections - Control Wiring

Connect either a thermostat, room/zone sensor, or direct digital controller; one of the three are required for unit function. Refer to the literature provided with each device and the following information.

NOTE - Optional wireless sensors are available for use with this unit.

CAUTION

Electrostatic discharge can affect electronic components. Take precautions during unit installation and service to protect the electronic controls. Precautions will help to avoid control exposure to electrostatic discharge by putting the unit, the control and the technician at the same electrostatic potential. Neutralize electrostatic charge by touching hands and all tools on an unpainted unit surface, such as the gas valve or blower deck, before performing any service procedure.

A-Thermostat Location

Applied to units in default thermostat control mode only.

Room thermostat mounts vertically on a standard 2" X 4" handy box or on any non-conductive flat surface.

Locate thermostat approximately 5 feet (1524mm) above the floor in an area with good air circulation at average temperature. Avoid locating the room thermostat where it might be affected by:

- drafts or dead spots behind doors and in corners
- hot or cold air from ducts
- radiant heat from sun or appliances
- concealed pipes and chimneys

B-Control Wiring

The Unit Controller will operate the unit from a thermostat or zone sensor based on the System Mode. The default System Mode is the thermostat mode. Refer to the Unit Controller Setup Guide to change the System Mode. Use the mobile service app menu and select Settings > Install.

Thermostat Mode

- 1 - Route thermostat cable or wires from subbase to control area above compressor (refer to unit dimensions to locate bottom and side power entry).

IMPORTANT - Unless field thermostat wires are rated for maximum unit voltage, they must be routed away from line voltage wiring. Use wire ties located near the lower left corner of the controls mounting panel to secure thermostat cable.

Use 18 AWG wire for all applications using remotely installed electro-mechanical and electronic thermostats.

- 2 - Install thermostat assembly in accordance with instructions provided with thermostat.
- 3 - Connect thermostat wiring to Unit Controller on the lower side of the controls hat section.
- 4 - Wire as shown in FIGURE 14 for electro-mechanical and electronic thermostats. If using other temperature control devices or energy management systems see instructions and wiring diagram provided by manufacturer.

IMPORTANT - Terminal connections at the Unit Controller must be made securely. Loose control wire connections may allow unit to operate but not with proper response to room demand.

Zone Sensor Mode

The Unit Controller will operate heating and cooling based on the Unit Controller internal setpoints and the temperature from the A2 room sensor. An optional Network Control Panel (NCP) can also be used to provide setpoints. A thermostat or return air sensor can be used as a back-up mode. Make room sensor wiring connections as shown in FIGURE 15.

C-Hot Gas Reheat Units Only

- 1 - Install humidity sensor in accordance with instructions provided with sensor. A DDC input may be used to initiate dehumidification instead of a sensor.
- 2 - Make wiring connections as shown in FIGURE 14 for Thermostat Mode or FIGURE 15 for Zone Sensor Mode. In addition, connect either a humidity sensor or a dehumidification input. See FIGURE 17 or FIGURE 18 for humidity sensor wiring or FIGURE 16 for dehumidification input wiring.

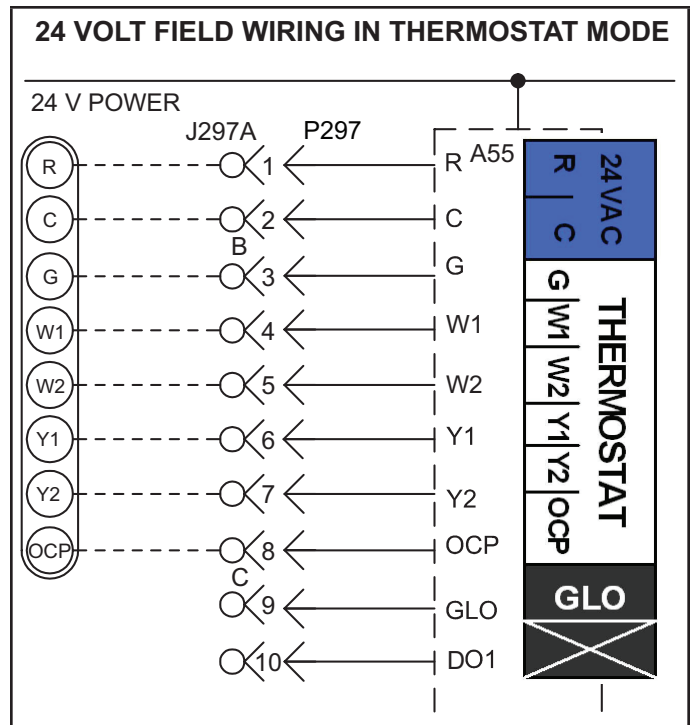


FIGURE 14

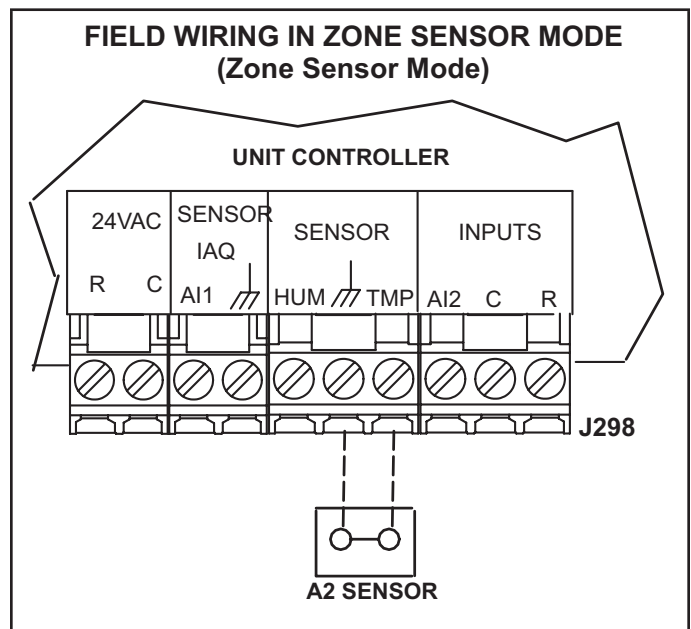
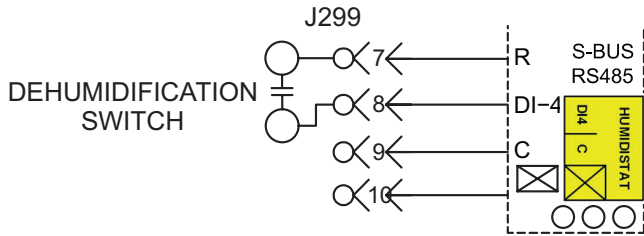


FIGURE 15

**FIELD WIRING HOT GAS REHEAT UNITS
(Using A Dehumidification Switch)**



Use 24 VAC (R) from any terminal available on J299-2, -5, or -7.

FIGURE 16

Humidity Sensor Cable Applications

Wire runs of 50 feet (mm) or less

Use two separate shielded cables containing 20AWG minimum, twisted pair conductors with overall shield. Belden type 8762 or 88760 (plenum) or equivalent. Connect both cable shield drain wires to the Unit Controller as shown in FIGURE 17.

Wire runs of 150 feet (mm) or less

Use two separate shielded cables containing 18AWG minimum, twisted pair conductors with overall shield. Belden type 8760 or 88760 (plenum) or equivalent. Connect both cable shield drain wires to the Unit Controller as shown in FIGURE 17.

Wire runs over 150 feet (mm)

Use a local, isolated 24VAC transformer such as Lennox cat #18M13 (20VA minimum) to supply power to RH sensor as shown in FIGURE 18. Use two shielded cables containing 20AWG minimum, twisted pair conductors with overall shield. Belden type 8762 or 88760 (plenum) or equivalent.

FIELD WIRING HOT GAS REHEAT UNITS (Using A Humidity Sensor With Less Than 150 Ft. Wire Runs)

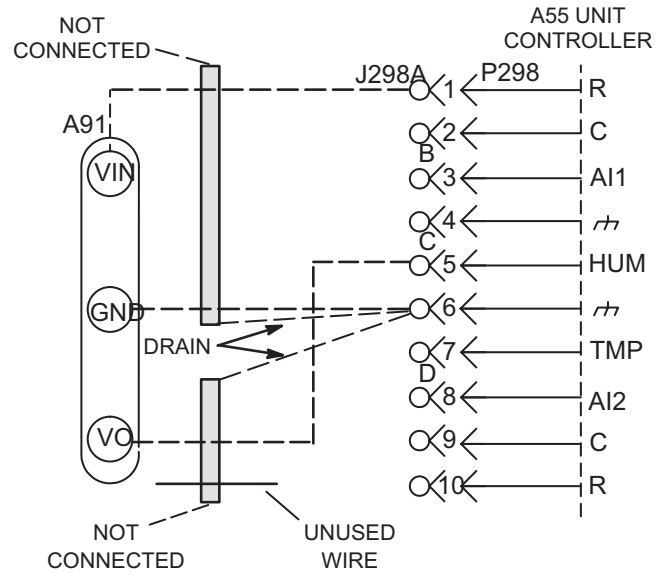


FIGURE 17

FIELD WIRING HOT GAS REHEAT UNITS (Using A Humidity Sensor With More than 150Ft. Wire Runs)

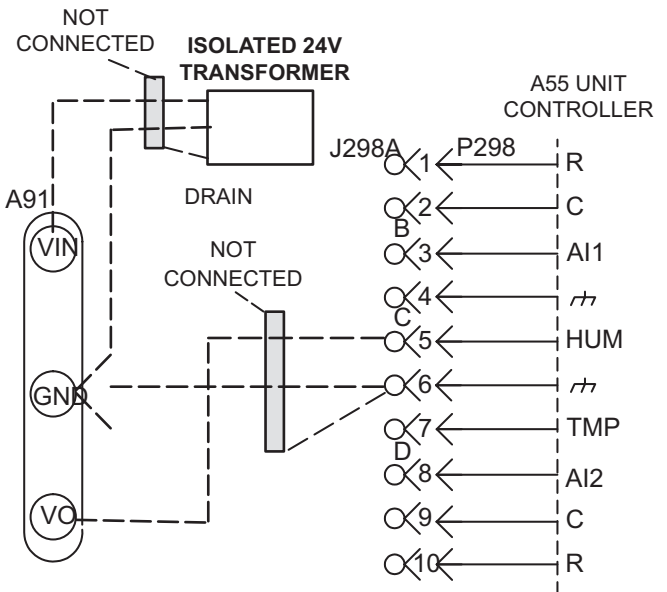


FIGURE 18

Mobile Service App

Setup and configure each rooftop unit using the mobile service app (Android or iOS devices supported).

A-Mobile Device Requirements

- Bluetooth connection.
- Android hardware requires 2GB RAM and a 2Ghz core processor. Tablets are supported.
- The app is available for both iOS 11.0 or higher (App Store) and Android 9.0 or higher (Google Play).

B-Download the App

Use your mobile device to scan the QR code from the cover page and download the mobile service app to your mobile device.

C-Pair the App to the Unit Controller

- 1 - Apply power to the unit and wait until the Unit Controller has booted-up (approximately two minutes).
- 2 - Press and hold the pair button for five seconds. See FIGURE 20.
- 3 - The unit (or list of units) will appear; select the appropriate unit. When the app code matches the four-character code on the Unit Controller display, the unit is paired (within 10 seconds). Note the following:
 - The app will list the units by signal strength; the RTU name will be displayed.
 - Once paired, the RTU name, model number, serial number and firmware version will be displayed.

Please refer to the manufacturer's website for additional technical information and self-help support.

D-App Menus

See FIGURE 19 for the menu overview. Follow the app prompts in the Install, Network Integration, and Test and Balance menus. Verify the app is setup properly for the unit application (including the date and time). Refer to FIGURE 21, FIGURE 22, and FIGURE 23.

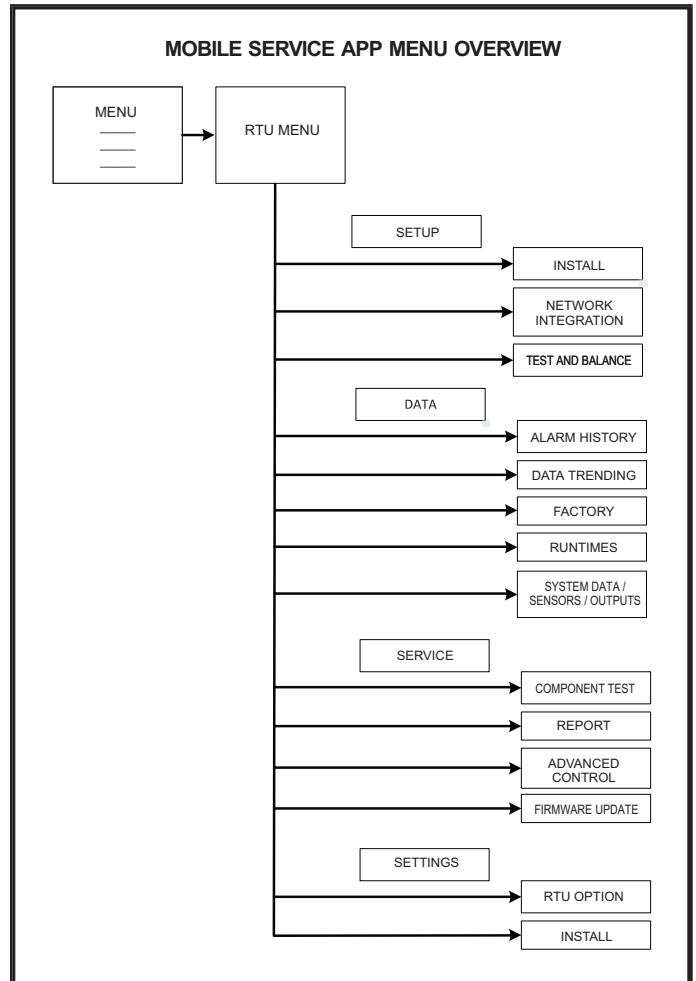


FIGURE 19

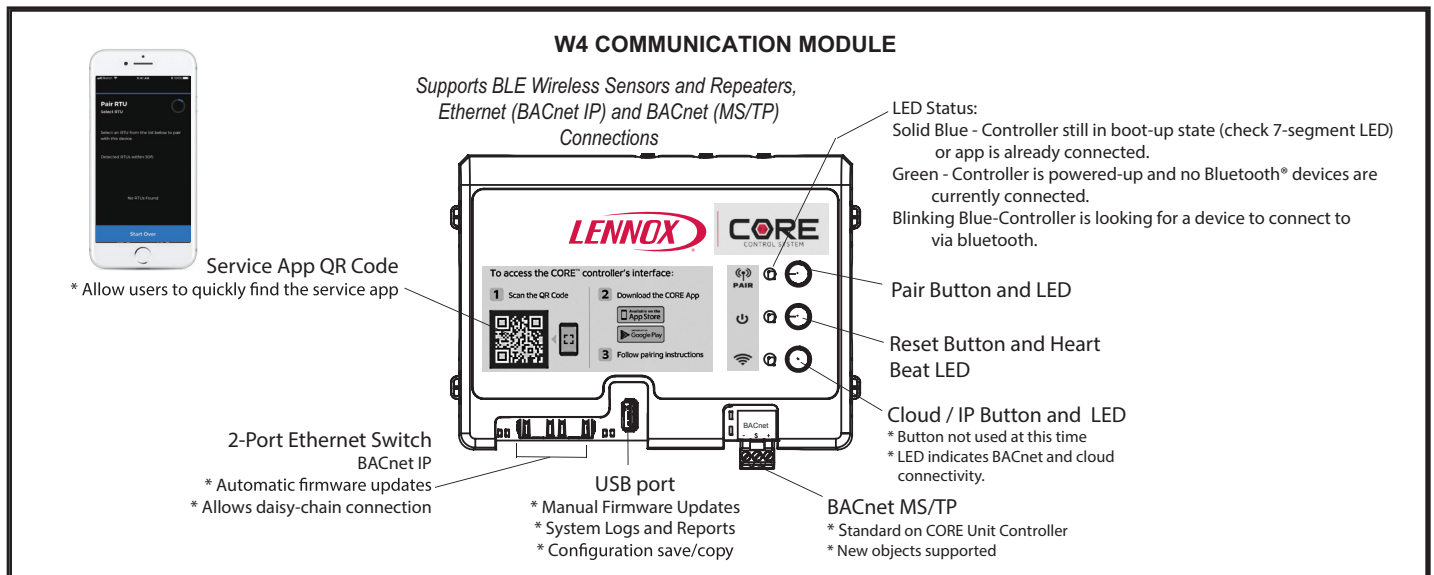


FIGURE 20

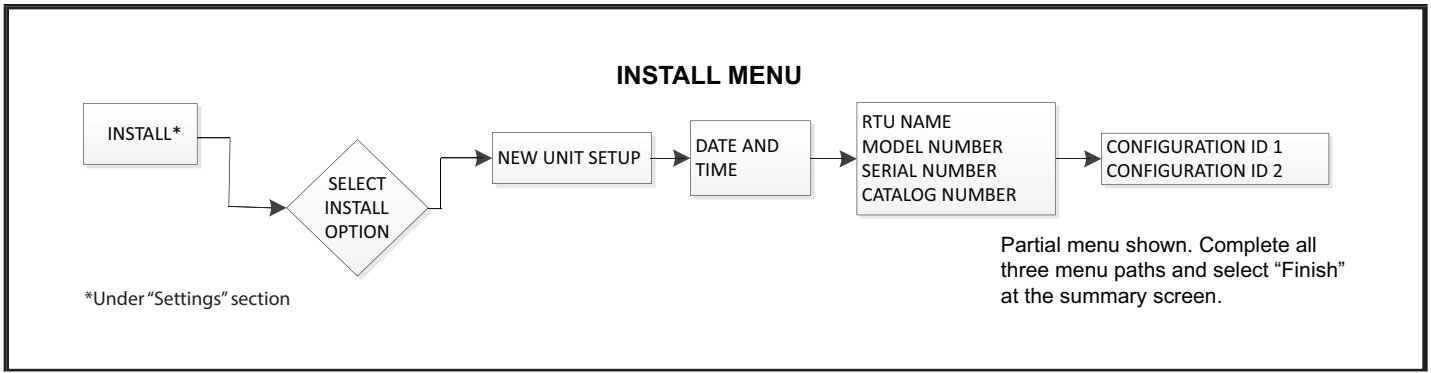


FIGURE 21

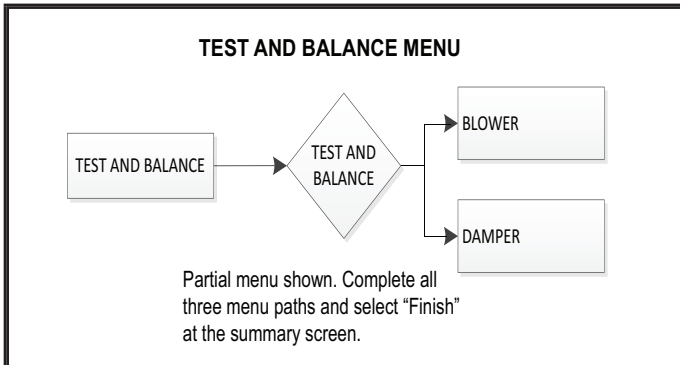


FIGURE 22

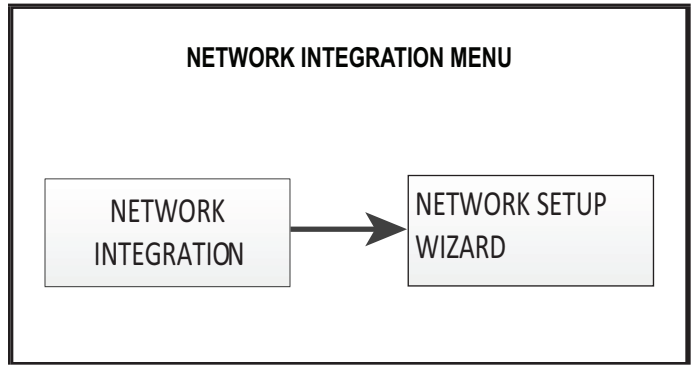


FIGURE 23

E-Unit Controller Components

See FIGURE 24 for Unit Controller components. See FIGURE 25 and TABLE 3 for pushbutton and LED functions.

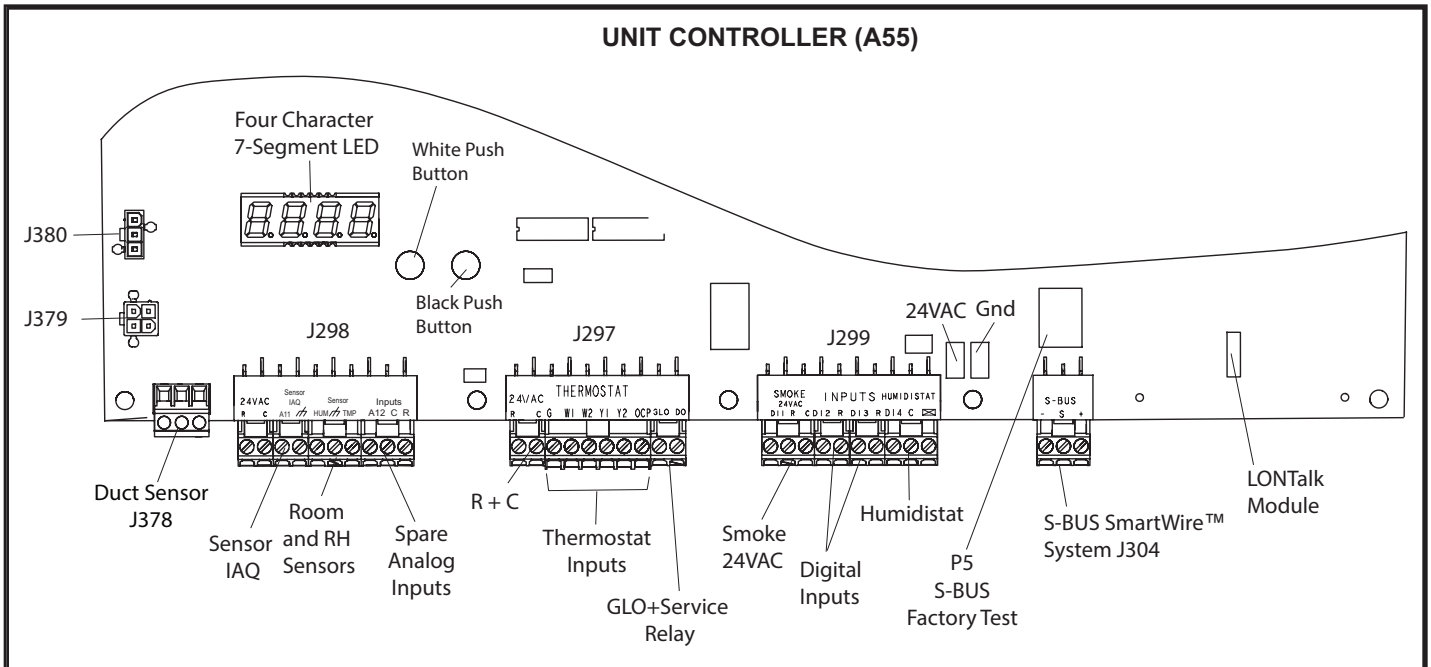


FIGURE 24

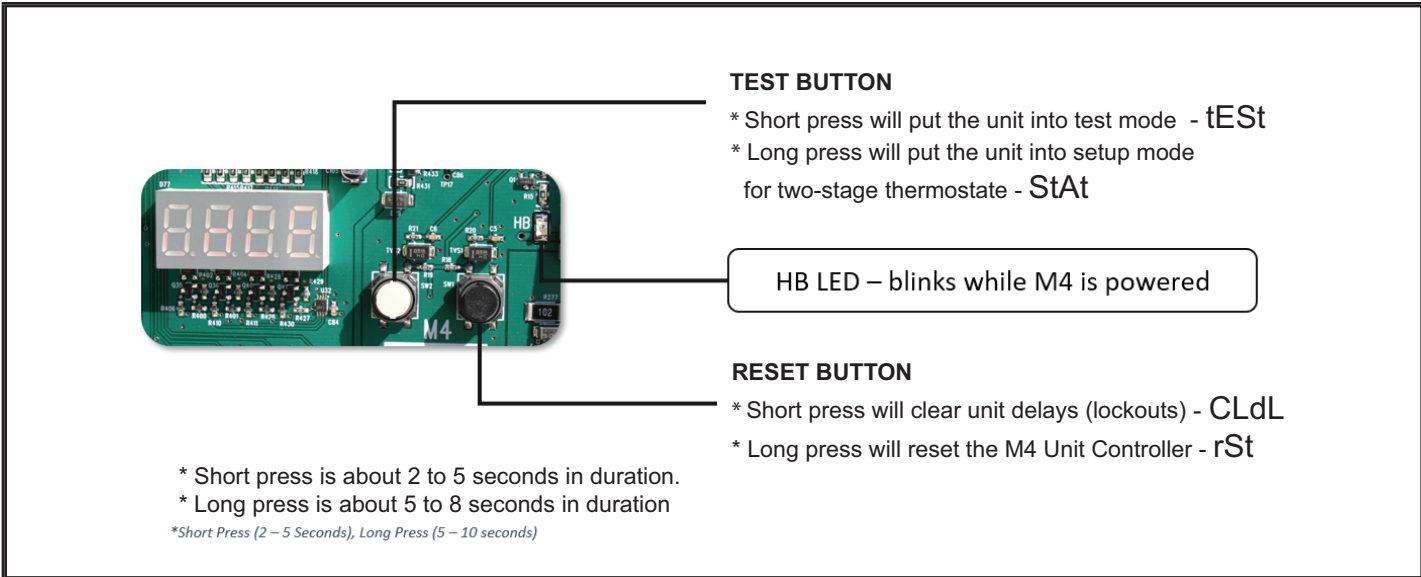


FIGURE 25

TABLE 3
UNIT CONTROLLER PUSHBUTTON CODES

Code	Cause	Action
CLdL	Black Button: Short Press	Clear Delays
rSt	Black Button: Long Press	Reset
tEst	White Button: Short Press	TSTAT Test
StAt	White Button: Long Press (In Pre-Install state)	TSTAT Override
tEst	White Button: Long Press (NOT in Pre-Install State)	TSTAT Test
Short Press : 2 to 5 seconds. Long Press : 5 to 8 seconds.		

Blower Operation

Units are equipped with variable speed, direct drive blowers. The supply CFM can be adjusted by changing the percentage of motor output using the Unit Controller settings. Measure the intake air CFM and adjust the RPM% to get design-specified supply air CFM.

IMPORTANT

Compressor two is the only component that must be checked to ensure proper phasing. Follow “COOLING START-UP” section of installation instructions to ensure proper compressor and blower operation.

The Unit Controller checks the incoming power during start-up. If the voltage or phase is incorrect, the Unit Controller will display an alarm and the unit will not start.

A-Blower Operation

Refer to the Unit Controller Setup Guide to energize blower. Use the mobile service app menu; see:

SERVICE > TEST

In thermostat control mode, the Unit Controller will stage the blower between low and high speed. In zone sensor control mode, the Unit Controller will vary (VAV) the blower between low and high speed.

WARNING

- 1- Make sure that unit is installed in accordance with the installation instructions and applicable codes.
- 2- Inspect all electrical wiring, both field and factory-installed, for loose connections. Tighten as required.
- 3- Check to ensure that refrigerant lines do not rub against the cabinet or against other refrigerant lines.
- 4- Check voltage at disconnect switch. Voltage must be within range listed on nameplate. If not, consult power company and have voltage condition corrected before starting unit.
- 5- Make sure filters are new and in place before start-up.

Initiate blower only (G) demand at thermostat according to instructions provided with thermostat. Unit will cycle on thermostat demand. The following steps apply to applications using a typical electro-mechanical thermostat.

- 1 - Blower operation is manually set at the thermostat subbase fan switch. With fan switch in **ON** position, blowers will operate continuously.
- 2 - With fan switch in **AUTO** position, the blowers will cycle with demand. Blowers and entire unit will be off when system switch is in **OFF** position.

NOTE - Blower operation mode can also be initiated by the mobile service app.

Direct-drive motor may not immediately stop when power is interrupted to the Unit Controller. Disconnect unit power before opening the blower compartment. The Controller's digital inputs must be used to shut down the blower. See Unit Controller manual for operation sequences.

B-Blower Access

The blower assembly is secured to a sliding frame which allows the blower assembly to be pulled out of the unit. See FIGURE 27.

- 1 - Loosen the reusable wire tie which secures the controls and high voltage blower wiring to the blower housing. Disconnect the pressure sensor low voltage wire harness.
- 2 - Remove and retain screws on either side (and on the front for direct drive) of sliding frame. Use the metal handle to pull frame toward outside of unit.
- 3 - Slide frame back into original position when finished servicing. Reattach the blower wiring in the previous location using the wire tie. Reconnect pressure sensor low voltage wire harness.
- 4 - Replace retained screws.

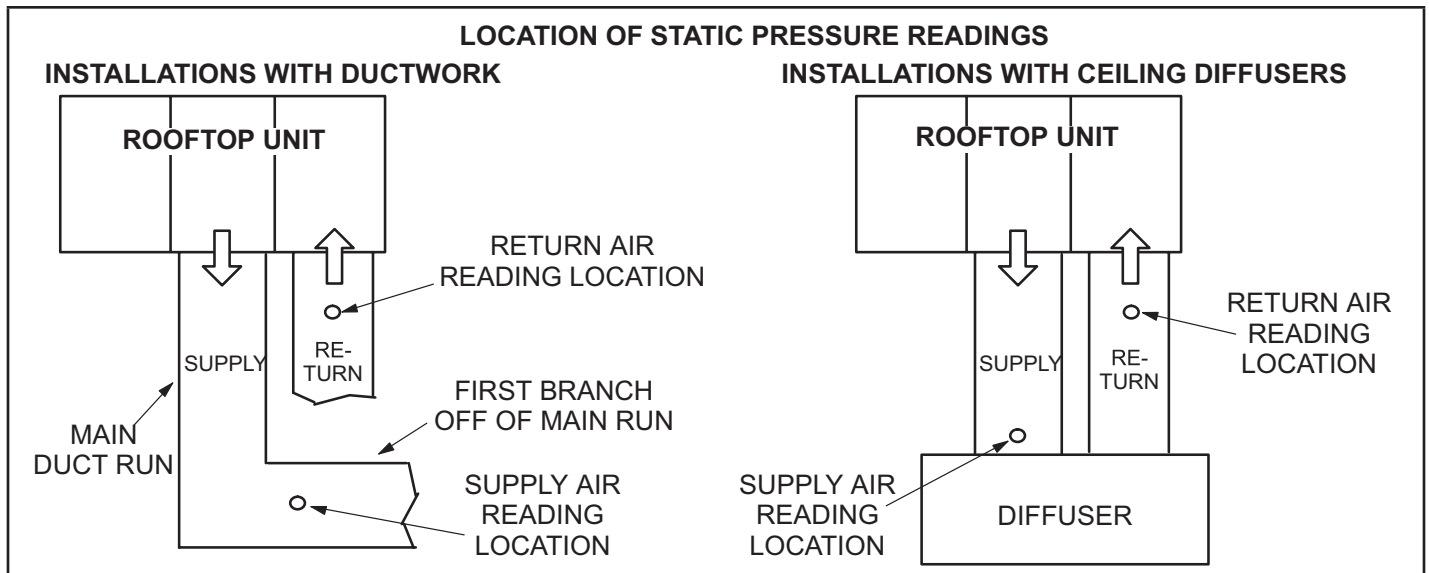


FIGURE 26

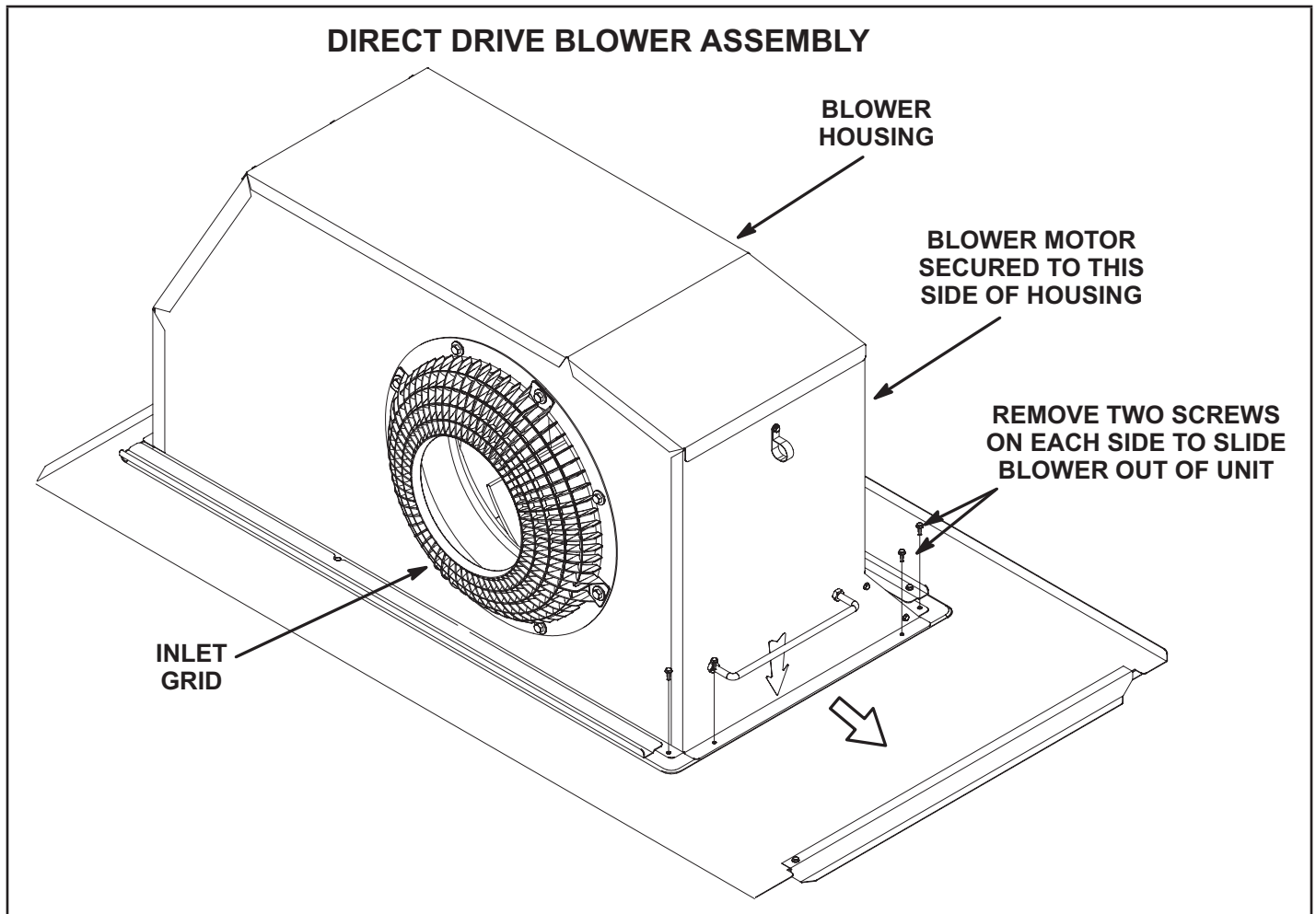


FIGURE 27

Direct Drive Blower Start-Up

The supply CFM can be adjusted by changing the percentage of motor output using the Unit Controller settings. Refer to TABLE 4 for menu paths and default settings. Record any RPM% changes on the parameter settings label located on the inside of the compressor access panel.

CAUTION

The BLOWER CALIBRATION process starts the in door blower at operational speeds and moves the economizer damper blades. Before starting this process, replace any access panels and close all unit doors except compressor compartment door.

Blower calibration is required only on units that are newly installed or if there is a change in the duct work or air filters after installation. Use the mobile service app to navigate to the SETUP>TEST & BALANCE>BLOWER menu.

After the new RPM% values are entered, select START CALIBRATION. The blower calibration status is displayed as a % complete. Upon successful completion, the mobile service app will display CALIBRATION SUCCESS and go back to the blower calibration screen.

IMPORTANT - The default value for Cooling Low motor speed is lower than a traditional single- or two-speed unit. If operating the unit with a 2- or 3-stage controller (2- or 3-stage thermostat, DDC controller, etc.), it is recommended to increase the Cooling Low CFM default value to a suitable level for part load cooling (typically 60% of full load CFM).

**TABLE 4
DIRECT DRIVE PARAMETER SETTING - 581102-01**

Parameter	Field Setting	Description
NOTE - Any changes to Smoke CFM setting must be adjusted before the other CFM settings. Use SETTINGS > RTU OPTIONS > EDIT PARAMETERS = 12 for EBM, 6 for ECM		
BLOWER SMOKE CFM	%	Percentage of RPM for blower smoke speed.
SETUP > TEST & BALANCE > BLOWER		
BLOWER HEATING HIGH CFM	%	Percentage of RPM for blower heating high speed.
BLOWER HEATING LOW CFM	%	Percentage of RPM for blower heating low speed (P volt gas heat on ly).
BLOWER COOLING HIGH CFM	%	Percentage of RPM for blower cooling high speed.
BLOWER COOLING LOW CFM	%	Percentage of RPM for blower cooling low speed and vent speed for standard static blowers.
BLOWER VENTILATION CFM	%	Percentage of RPM for high static blower ventilation speed.
SETUP > TEST & BALANCE > DAMPER		
BLOWER HIGH CFM DAMPER POS %	%	Minimum damper position for high speed blower operation. Default 0%.
BLOWER LOW CFM DAMPER POS %	%	Minimum damper position for low speed blower operation. Default 0%.
POWER EXHAUST DAMPER POS %	%	Minimum damper position for low power exhaust operation. Default 50%.
SETTINGS > RTU OPTIONS > EDIT PARAMETERS = 216		
POWER EXHAUST DEADBAND %	%	Deadband % for power exhaust operation. Default 10%.
SETTINGS > RTU OPTIONS > EDIT PARAMETERS = 10 (Applies to Thermostat Mode ONLY)		
FREE COOLING STAGE-UP DELAY	sec	Number of seconds to hold blower at low speed before switching to blower at high speed. Default 300 seconds.

Installer - Record any parameter changes under "Field Setting" column. Settings need to be recorded by installer for use when Unit Controller is replaced or reprogrammed.

BLOWER DATA

BLOWER TABLE INCLUDES RESISTANCE FOR BASE UNIT ONLY (NO HEAT SECTION) WITH DRY INDOOR COIL AND AIR FILTERS IN PLACE.

FOR ALL UNITS ADD:

- 1- Wet indoor coil air resistance of selected unit.
- 2- Any factory installed options air resistance (heat section, Economizer, etc.)
- 3- Any field installed accessories air resistance (duct resistance, diffuser, etc.) See page 23 for wet coil and option/accessory air resistance data.

See page 42 for minimum air volume required for use with optional electric heat.

Maximum Static Pressure With Gas Heat - 2.0 in. w.g.
Minimum Air Volume Required For Different Gas Heat Sizes:
 Standard - 2150 cfm; Medium - 2250 cfm; High - 2600 cfm

Total Air Volume cfm	Total Static Pressure													
	0.2		0.4		0.6		0.8		1.0		1.2		1.4	
	RPM	Watts	RPM	Watts	RPM	Watts	RPM	Watts	RPM	Watts	RPM	Watts	RPM	Watts
1750	644	137	740	235	796	302	833	343	873	373	996	558	1065	664
2000	675	165	768	260	821	330	861	386	960	507	1026	629	1094	753
2250	711	195	803	290	856	375	901	497	991	564	1058	703	1128	840
2500	764	241	852	335	904	439	951	568	1025	641	1097	789	1170	934
2750	847	316	901	399	946	543	1004	674	1074	746	1146	895	1220	1041
3000	944	426	980	511	1021	671	1074	803	1136	874	1205	1021	1276	1167
3250	1022	544	1057	640	1099	810	1149	942	1207	1012	1272	1156	1338	1304
3500	1092	666	1131	770	1174	948	1225	1081	1281	1151	1342	1297	1402	1451
3750	1161	780	1202	892	1248	1079	1298	1217	1353	1291	1409	1445	1463	1609
4000	1230	888	1273	1010	1319	1212	1369	1362	1421	1441	1471	1608	1518	1784
4250	1299	1006	1342	1140	1388	1362	1436	1526	1483	1612	1528	1790	1571	1975
4500	1366	1142	1409	1289	1454	1532	1498	1708	1542	1798	1583	1984	1623	2172
4750	1432	1295	1474	1457	1516	1719	1558	1903	1598	1997	1637	2187	1674	2377
5000	1496	1471	1537	1645	1577	1921	1616	2110	1654	2205	1690	2396	1726	2586
5250	1560	1667	1598	1849	1636	2132	1673	2324	1709	2419	1744	2609	1779	2796
5500	1623	1878	1659	2064	1695	2349	1731	2539	1765	2634	-	-	-	-
5750	1686	2097	1720	2284	1755	2567	-	-	-	-	-	-	-	-
6000	1748	2316	1781	2502	-	-	-	-	-	-	-	-	-	-
Total Air Volume cfm	Total Static Pressure - in. w.g.													
	1.6		1.8		2.0		2.2		2.4		2.6			
	RPM	Watts	RPM	Watts	RPM	Watts	RPM	Watts	RPM	Watts	RPM	Watts	RPM	Watts
1750	1134	775	1203	896	1275	1025	1356	1149	1422	1287	1470	1439		
2000	1162	878	1231	1007	1302	1139	1379	1268	1440	1411	1486	1570		
2250	1198	975	1268	1111	1338	1250	1409	1388	1464	1542	1507	1711		
2500	1243	1075	1313	1217	1380	1365	1442	1517	1491	1685	1533	1860		
2750	1293	1186	1361	1336	1423	1494	1477	1661	1520	1839	1561	2016		
3000	1346	1317	1410	1474	1466	1642	1514	1818	1554	2000	1594	2180		
3250	1402	1460	1460	1627	1511	1803	1553	1986	1591	2172	1631	2352		
3500	1459	1616	1509	1793	1555	1976	1594	2165	1631	2352	1671	2531		
3750	1512	1785	1557	1970	1599	2159	1636	2350	1673	2536	1713	2714		
4000	1562	1969	1604	2157	1643	2347	1680	2538	1717	2722	1756	2896		
4250	1611	2163	1650	2352	1688	2541	1724	2729	1762	2908	-	-		
4500	1661	2362	1698	2552	1734	2739	1770	2922	-	-	-	-		
4750	1710	2567	1746	2754	-	-	-	-	-	-	-	-		
5000	1761	2774	-	-	-	-	-	-	-	-	-	-		
5250	-	-	-	-	-	-	-	-	-	-	-	-		
5500	-	-	-	-	-	-	-	-	-	-	-	-		
6000	-	-	-	-	-	-	-	-	-	-	-	-		

BLOWER DATA

FACTORY INSTALLED OPTIONS/FIELD INSTALLED ACCESSORY AIR RESISTANCE - in. w.g.

Air Volume cfm	Wet Indoor Coil		Gas Heat Exchanger			Electric Heat	Econo-mizer	Reheat Coil	Filters			Return Air Adaptor Plate
	092, 102	120, 150	Standard Heat	Medium Heat	High Heat				MERV 8	MERV 13	MERV 16	
1750	0.04	0.04	0.06	0.02	0.02	0.03	0.05	0.02	0.01	0.03	0.06	0.00
2000	0.05	0.05	0.07	0.05	0.06	0.03	0.06	0.02	0.01	0.03	0.08	0.00
2250	0.06	0.06	0.07	0.07	0.08	0.04	0.08	0.02	0.01	0.04	0.09	0.00
2500	0.07	0.07	0.09	0.10	0.11	0.04	0.11	0.03	0.01	0.05	0.10	0.00
2750	0.08	0.08	0.09	0.11	0.12	0.05	0.12	0.03	0.02	0.05	0.11	0.00
3000	0.10	0.09	0.11	0.12	0.13	0.06	0.13	0.03	0.02	0.06	0.12	0.02
3250	0.11	0.10	0.12	0.15	0.16	0.06	0.15	0.04	0.02	0.06	0.13	0.02
3500	0.12	0.11	0.12	0.16	0.17	0.09	0.15	0.04	0.03	0.07	0.15	0.04
3750	0.14	0.13	0.14	0.19	0.20	0.09	0.15	0.05	0.03	0.08	0.16	0.07
4000	0.15	0.14	0.14	0.21	0.22	0.09	0.19	0.05	0.04	0.08	0.17	0.09
4250	0.17	0.15	0.14	0.24	0.28	0.13	0.19	0.06	0.04	0.09	0.19	0.11
4500	0.19	0.17	0.15	0.26	0.32	0.14	0.22	0.07	0.04	0.09	0.20	0.12
4750	0.20	0.18	0.16	0.29	0.37	0.17	0.25	0.07	0.05	0.10	0.21	0.16
5000	0.22	0.20	0.16	0.34	0.43	0.20	0.29	0.08	0.06	0.10	0.23	0.18
5250	0.24	0.22	0.16	0.37	0.47	0.22	0.32	0.08	0.06	0.11	0.24	0.19
5500	0.25	0.23	0.18	0.44	0.54	0.25	0.34	0.09	0.07	0.12	0.25	0.22
5750	0.27	0.25	0.19	0.49	0.59	0.31	0.45	0.10	0.07	0.12	0.27	0.25
6000	0.29	0.27	0.20	0.54	0.64	0.33	0.52	0.10	0.08	0.13	0.28	0.27

POWER EXHAUST FAN PERFORMANCE

Return Air System Static Pressure	Air Volume Exhausted
in. w.g.	cfm
0	3175
0.05	2955
0.10	2685
0.15	2410
0.20	2165
0.25	1920
0.30	1420
0.35	1200

MINIMUM AIR VOLUME REQUIRED FOR USE WITH OPTIONAL ELECTRIC HEAT

Electric Heat kW	Minimum cfm
7.5	1750
15	2250
22.5	2250
30	2750
45	2750
60	3500

Refrigerant Leak Detection System

A-System Test

- 1 - Initiate Refrigerant Leak Detection System Test by using the following mobile service app menu path:
RTU MENU > COMPONENT TEST > LEAK DETECTION > START TEST
- 2 - Ensure that indoor blower, outdoor fan, and combustion air blower (LGT only) are energized.

Cooling Start-Up

IMPORTANT-The crankcase heater must be energized for 24 hours before attempting to start compressor. Set thermostat so there is no demand to prevent compressors from cycling. Apply power to unit.

A-Start-Up

Initiate full load cooling operation using the following mobile service app menu path:

RTU MENU > SERVICE > COMPONENT TEST > COOLING > COOLING STAGE

- 1 - Refer to Cooling Operation section for cooling start-up.
- 2 - Units have two refrigerant circuits. See FIGURE 28.
- 3 - Each refrigerant circuit is charged with R454B refrigerant. See unit rating plate for correct amount of charge.
- 4 - Refer to Refrigerant Check and Charge section for proper method to check refrigerant charge.

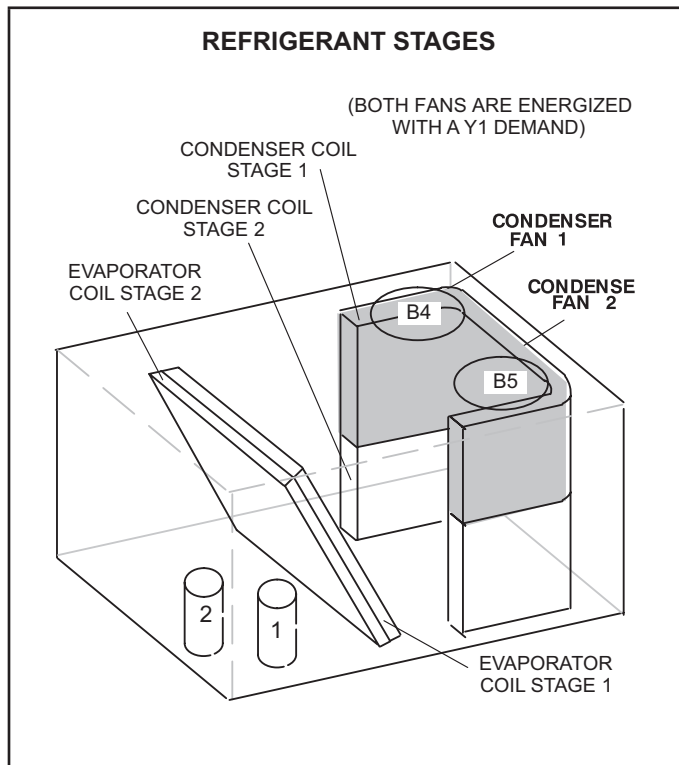


FIGURE 28

B-R454B Refrigerant

Units charged with R454B refrigerant operate at lower pressures than R410A. The expansion valve and liquid line dryer provided with the unit are approved for use with R454B and R410A.

R454B refrigerant is stored in a gray cylinder.

CAUTION

Mineral oils are not compatible with R454B. If oil must be added, it must be a polyol ester oil.

Manifold gauge sets used with systems charged with R454B refrigerant must be capable of handling various system operating pressures. The gauges should be rated for use with pressures of 0-800 on the high side and a low side of 30" vacuum to 250 psi with dampened speed to 500 psi. Gauge hoses must be rated for use at up to 800 psi of pressure with a 4000 psi burst rating.

[B-Operation; B-Refrigerant Charge & Check]

Refrigerant Charge R-454B			
Unit	Stage	M _c (lbs)	M _c (kg)
LCT/LGT 092	Stage 1	6.25	2.84
	Stage 2	5.88	2.67
LCT/LGT 102	Stage 1	6.25	2.84
	Stage 2	5.88	2.67
LCT/LGT 120	Stage 1	5.88	2.67
	Stage 2	5.88	2.67
LCT/LGT 150	Stage 1	5.75	2.61
	Stage 2	6.25	2.84
LCT/LGT 092 W/ Humidtrol	Stage 1	6.50	2.95
	Stage 2	5.88	2.67
LCT/LGT 102 W/ Humidtrol	Stage 1	6.50	2.95
	Stage 2	5.88	2.67
LCT/LGT 120 W/ Humidtrol	Stage 1	6.25	2.84
	Stage 2	5.88	2.67
LCT/LGT 150 W/ Humidtrol	Stage 1	6.13	2.78
	Stage 2	6.25	2.84

In addition to conventional charging procedures, the following requirements shall be followed.

- Ensure that contamination of different refrigerants does not occur when using charging equipment. Hoses or lines shall be as short as possible to minimize the amount of refrigerant contained in them.
- Cylinders shall be kept in an appropriate position according to the instructions.
- Ensure that the unit is earth grounded prior to charging the system with refrigerant.
- Label the system when charging is complete (if not already).
- Extreme care shall be taken not to overfill the unit.

Prior to recharging the system, it shall be pressure-tested with the appropriate purging gas. The system shall be leak-tested on completion of charging but prior to commissioning. A follow up leak test shall be carried out

prior to leaving the site.

- When removing refrigerant from a system, either for servicing or decommissioning, it is recommended good practice that all refrigerants are removed safely.
- When transferring refrigerant into cylinders, ensure that only appropriate refrigerant recovery cylinders are employed. Ensure that the correct number of cylinders for holding the total system charge is available. All cylinders to be used are designated for the recovered refrigerant and labelled for that refrigerant (i. e. special cylinders for the recovery of refrigerant). Cylinders shall be complete with pressure-relief valve and associated shut-off valves in good working order. Empty recovery cylinders are evacuated and, if possible, cooled before recovery
- The recovery equipment shall be in good working order with a set of instructions concerning the equipment that is at hand and shall be suitable for the recovery of all appropriate refrigerants including, when applicable, flammable refrigerants. In addition, a set of calibrated weighing scales shall be available and in good working order. Hoses shall be complete with leak-free disconnect couplings and in good condition. Before using the recovery machine, check that it is in satisfactory working order, has been properly maintained and that any associated electrical components are sealed to prevent ignition in the event of a refrigerant release. Consult manufacturer if in doubt.
- The recovered refrigerant shall be returned to the refrigerant supplier in the correct recovery cylinder, and the relevant waste transfer note arranged. Do not mix refrigerants in recovery units and especially
- If compressors or compressor oils are to be removed, ensure that they have been evacuated to an acceptable level to make certain that flammable refrigerant does not remain within the lubricant. The evacuation process shall be carried out prior to returning the compressor to the suppliers. Only electric heating to the compressor body shall be employed to accelerate this process. When oil is drained from a system, it shall be carried out safely.

NOTE - System charging is not recommended below 60°F (15°C). In temperatures below 60°F (15°C), the charge must be weighed into the system.

If weighing facilities are not available, or to check the charge, use the following procedure:

- 1 - Make sure outdoor coil is clean. Attach gauge manifolds and operate unit at full CFM in cooling mode with economizer disabled until system stabilizes (approximately five minutes). Make sure all outdoor air dampers are closed.
- 2 - Compare the normal operating pressures to the pressures obtained from the gauges. Check unit components if there are significant differences.
- 3 - Measure the outdoor ambient temperature and the

suction pressure. Refer to the charging curve to determine a target liquid temperature.

NOTE - Pressures are listed for sea level applications.

- 4 - Use the same thermometer to accurately measure the liquid temperature (in the outdoor section).
 - If measured liquid temperature is higher than the target liquid temperature, add refrigerant to the system.
 - If measured liquid temperature is lower than the target liquid temperature, recover some refrigerant from the system..
- 5 - Add or remove charge in increments. Allow the system to stabilize each time refrigerant is added or removed.
- 6 - Continue the process until measured liquid temperature agrees with the target liquid temperature. Do not go below the target liquid temperature when adjusting charge. Note that suction pressure can change as charge is adjusted.
- 7 - Example: At 95°F outdoor ambient and a measured suction pressure of 130psig, the target liquid temperature is 97°F. For a measured liquid temperature of 106°F, add charge in increments until measured liquid temperature agrees with the target liquid temperature.

IMPORTANT

Mineral oils are not compatible with R454B. If oil must be added, it must be a polyol ester oil.

C-Compressor Controls

See unit wiring diagram to determine which controls are used on each unit.

- 1 - High Pressure Switch (S4, S7)

The compressor circuit is protected by a high pressure switch which opens at 640 psig + 10 psig (4413 kPa + 70 kPa) and automatically resets at 475 psig + 20 psig (3275kPa + 138 kPa).

- 2 - Low Pressure Switch (S87, S88)

The compressor circuit is protected by a loss of charge switch. Switch opens at 40 psig + 5 psig (276 + 34 kPa) and automatically resets at 90 psig + 5 psig (621 kPa + 34 kPa).

- 3 - Crankcase Heater (HR1, HR2)

Compressors have belly band compressor oil heaters which must be on 24 hours before running compressors. Energize by setting thermostat so that there is no cooling demand, to prevent compressor

from cycling, and apply power to unit.

4 - Diagnostic Sensors (RT46-RT49)

Four thermistors are located on specific points in the refrigeration circuit. The thermistors provide constant temperature feedback to the Unit Controller to protect the compressor. Thermistors take the place of the freeze-stat and low ambient pressure switch.

D-Refrigerant Charge and Check

WARNING

Do not exceed nameplate charge under any condition.

This unit is factory charged and should require no further adjustment. If the system requires additional refrigerant, reclaim the charge, evacuate the system, and add required nameplate charge.

NOTE - System charging is not recommended below 60°F (15°C). In temperatures below 60°F (15°C), the charge **must be weighed into the system**.

If weighing facilities are not available, or to check the charge, use the following procedure:

IMPORTANT - Charge unit in standard cooling mode at full load.

- 1 - Make sure outdoor coil is clean. Attach gauge manifolds and operate unit at full CFM in cooling mode with economizer disabled until system stabilizes (approximately five minutes). Make sure all outdoor air dampers are closed.

Mobile service app:

**RTU MENU > COMPONENT TEST > COOLING >
COOLING STAGE 3**

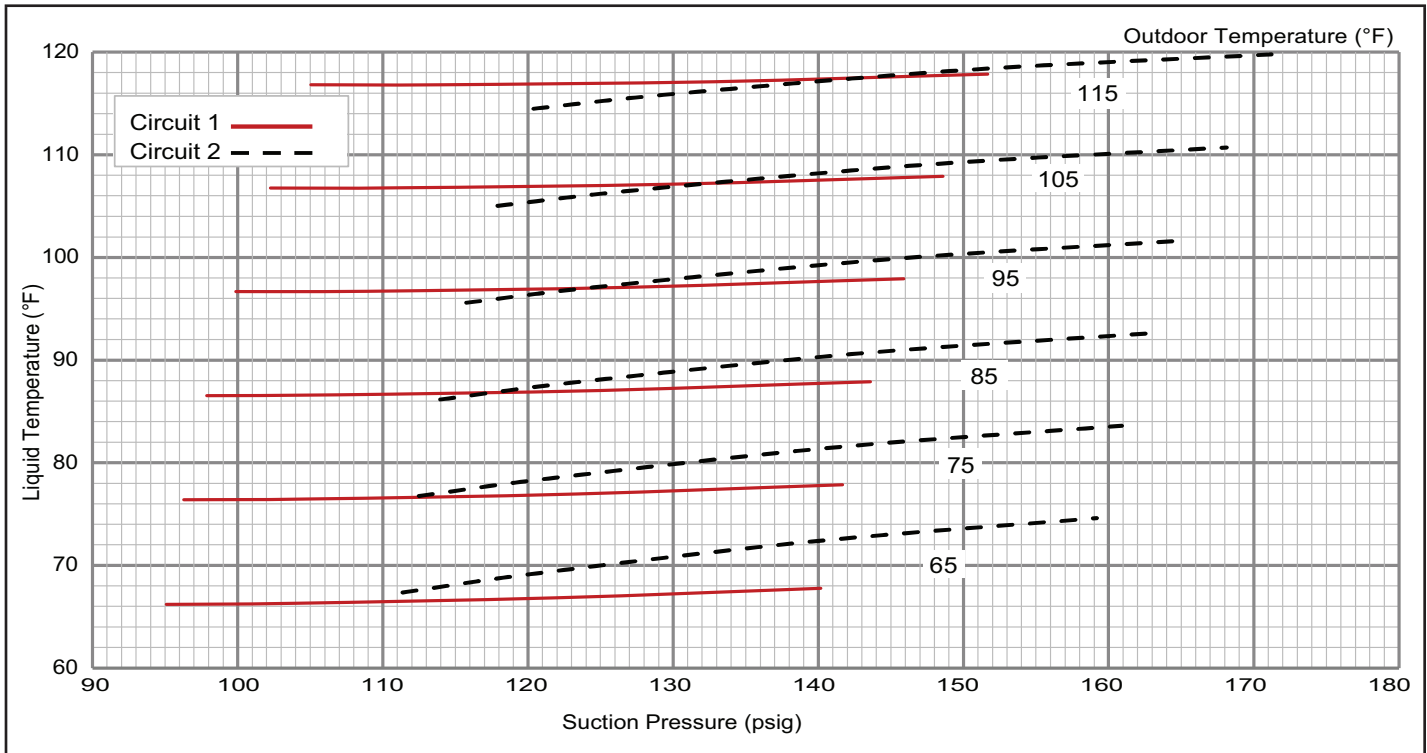
- 2 - Check each system separately with all stages operating. Compare the normal operating pressures to the pressures obtained from the gauges. Check unit components if there are significant differences.
- 3 - Measure the outdoor ambient temperature and the suction pressure. Refer to the charging curve to determine a target liquid temperature.

NOTE - Pressures are listed for sea level applications.

- 4 - Use the same thermometer to accurately measure the liquid temperature (in the outdoor section).
 - If measured liquid temperature is higher than the target liquid temperature, add refrigerant to the system.
 - If measured liquid temperature is lower than the target liquid temperature, recover some refrigerant from the system.
- 5 - Add or remove charge in increments. Allow the system to stabilize each time refrigerant is added or removed.
- 6 - Continue the process until measured liquid temperature agrees with the target liquid temperature. Do not go below the target liquid temperature when adjusting charge. Note that suction pressure can change as charge is adjusted.
- 7 - Example: At 95F outdoor ambient and a measured suction pressure of 130psig, the target liquid temperature is 96F. For a measured liquid temperature of 106F, add charge in increments until measured liquid temperature agrees with the target liquid temperature.

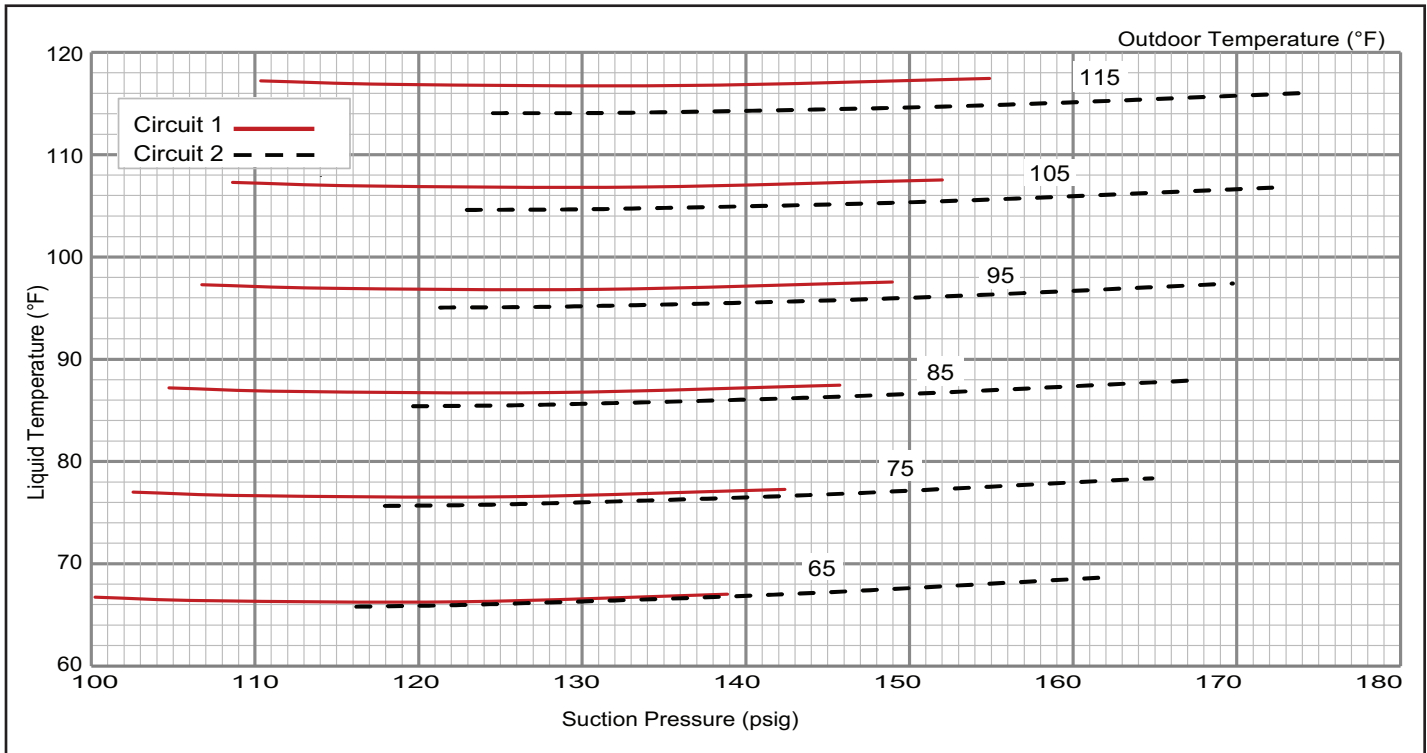
**TABLE 5 581249-01
LGT/LCT092**

Normal Operating Pressures												
Outdoor Coil Entering Air Temperature												
	65°F		75°F		85°F		95°F		105°F		115°F	
	Suct (psig)	Disc (psig)	Suct (psig)	Disc (psig)	Suct (psig)	Disc (psig)	Suct (psig)	Disc (psig)	Suct (psig)	Disc (psig)	Suct (psig)	Disc (psig)
Circuit 1	95	214	96	252	98	295	100	343	102	397	105	456
	104	216	105	253	107	295	109	343	111	397	114	456
	122	222	123	257	125	299	127	346	130	398	133	456
	140	229	142	264	144	305	146	351	149	402	152	459
Circuit 2	111	221	113	258	114	300	116	347	118	398	120	455
	121	224	122	260	123	302	125	349	128	400	130	456
	140	230	141	266	143	307	145	353	148	404	150	460
	159	238	161	273	163	314	165	359	168	410	171	465



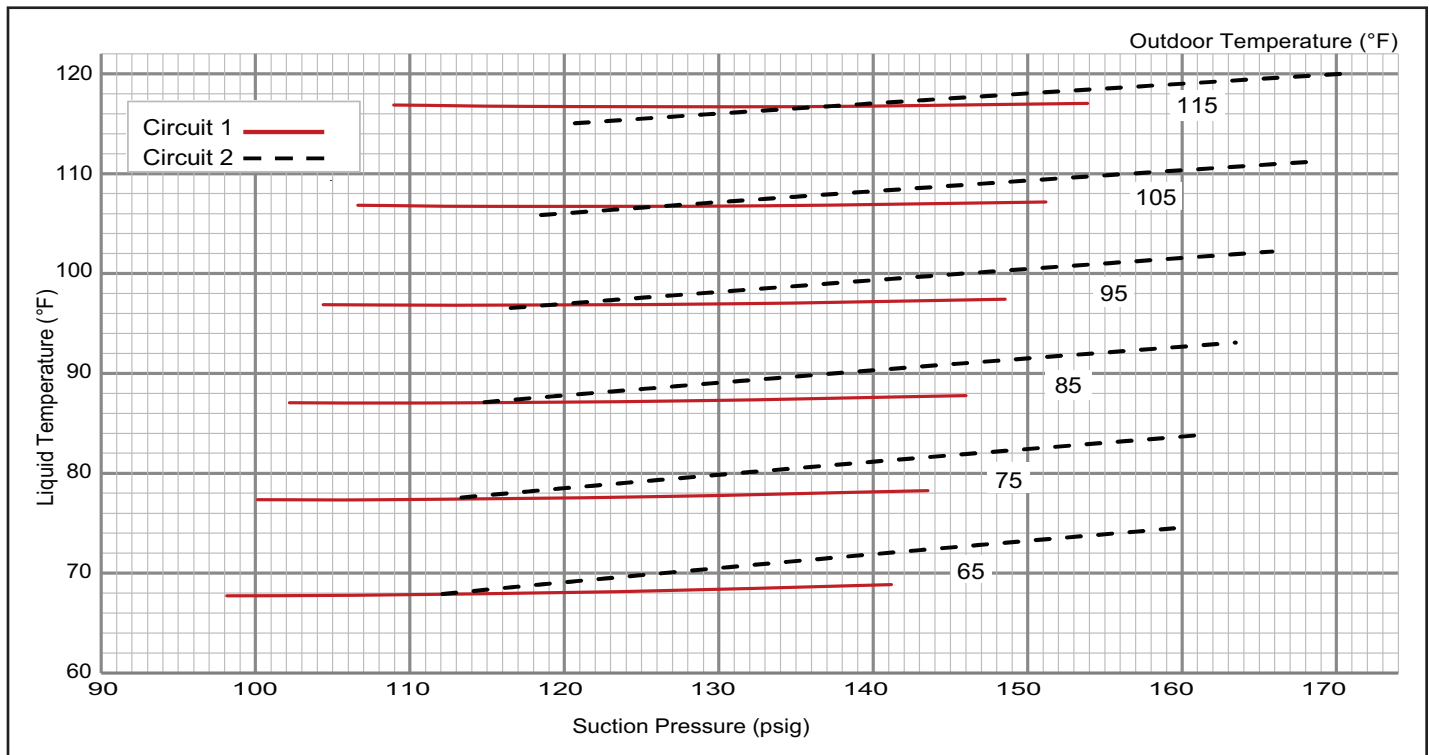
**TABLE 6 581250-01
LGT/LCT092 w/ Reheat**

Normal Operating Pressures												
Outdoor Coil Entering Air Temperature												
	65°F		75°F		85°F		95°F		105°F		115°F	
	Suct (psig)	Disc (psig)	Suct (psig)	Disc (psig)	Suct (psig)	Disc (psig)	Suct (psig)	Disc (psig)	Suct (psig)	Disc (psig)	Suct (psig)	Disc (psig)
Circuit 1	100	224	103	260	105	300	107	345	109	395	110	449
	107	225	110	261	112	301	115	346	117	396	119	450
	122	230	126	266	128	307	131	352	134	402	136	456
	139	241	142	277	146	318	149	363	152	413	155	468
Circuit 2	116	222	118	257	120	297	121	343	123	394	125	450
	125	223	127	258	129	298	130	344	132	395	134	451
	143	228	145	263	147	303	149	349	151	400	153	456
	162	237	165	272	167	312	170	358	172	409	175	465



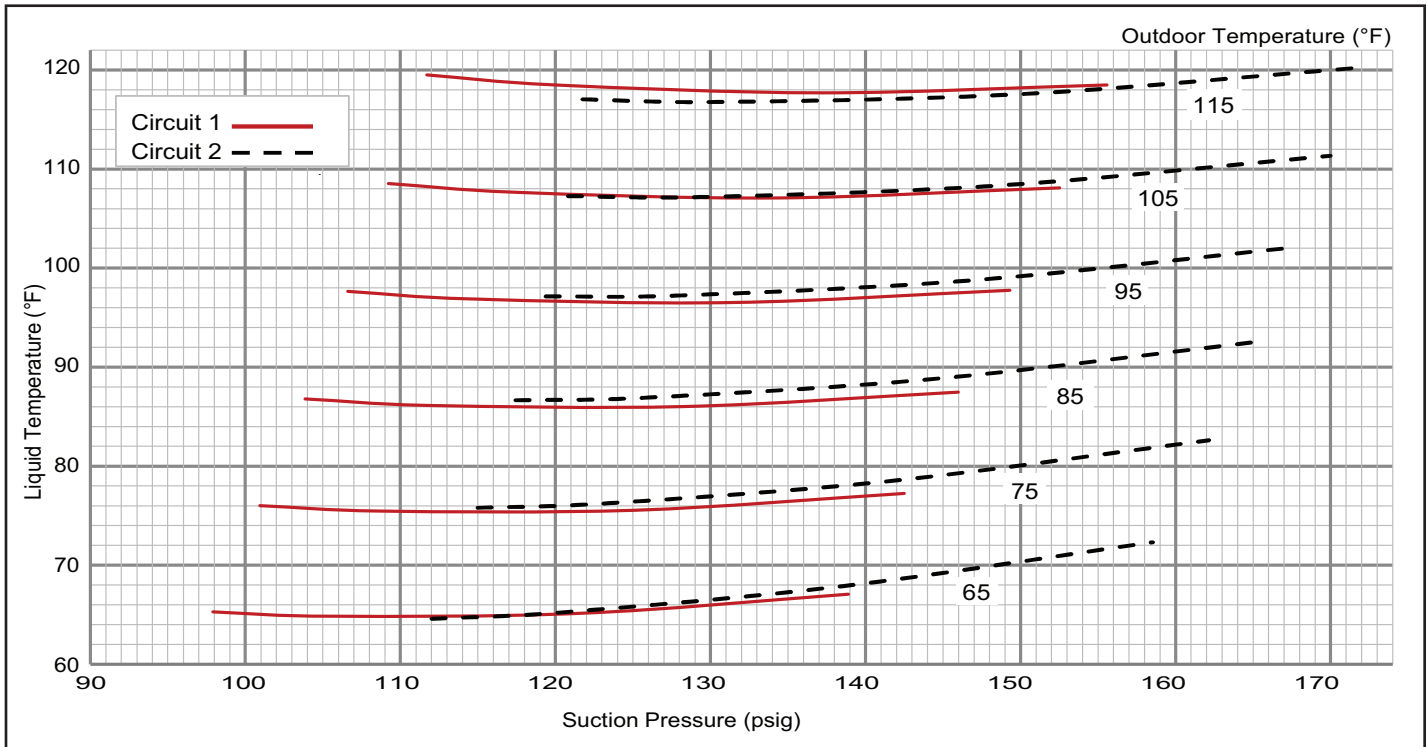
**TABLE 7 581251-01
LGT/LCT102**

Normal Operating Pressures												
Outdoor Coil Entering Air Temperature												
	65°F		75°F		85°F		95°F		105°F		115°F	
	Suct (psig)	Disc (psig)	Suct (psig)	Disc (psig)	Suct (psig)	Disc (psig)	Suct (psig)	Disc (psig)	Suct (psig)	Disc (psig)	Suct (psig)	Disc (psig)
Circuit 1	98	219	100	255	102	297	104	345	107	399	109	459
	106	221	108	257	111	298	113	346	115	399	118	459
	123	228	126	263	128	303	130	350	133	403	135	462
	141	237	144	271	146	311	149	357	151	409	154	467
Circuit 2	112	228	113	264	115	306	117	352	119	404	121	462
	121	231	122	266	124	307	126	354	128	405	130	462
	139	238	141	273	143	313	145	358	147	409	150	465
	159	248	161	282	163	321	166	365	168	415	171	470



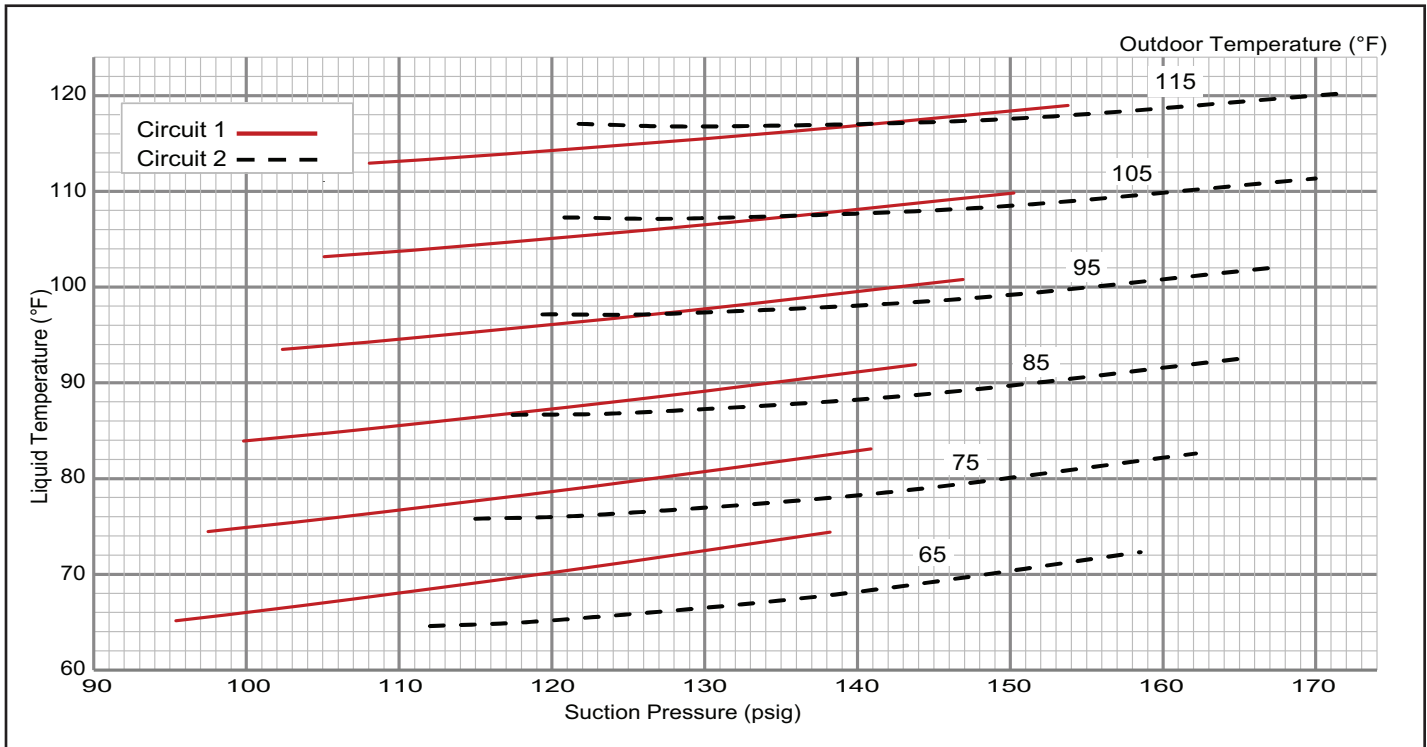
**TABLE 8 581252-01
LGT/LCT102 w/ Reheat**

Normal Operating Pressures												
Outdoor Coil Entering Air Temperature												
	65°F		75°F		85°F		95°F		105°F		115°F	
	Suct (psig)	Disc (psig)	Suct (psig)	Disc (psig)	Suct (psig)	Disc (psig)	Suct (psig)	Disc (psig)	Suct (psig)	Disc (psig)	Suct (psig)	Disc (psig)
Circuit 1	98	228	101	267	104	314	107	370	109	435	112	509
	106	227	109	264	112	310	115	365	117	429	120	501
	122	232	125	266	128	309	131	362	134	423	137	493
	139	245	143	277	146	318	149	368	153	426	156	494
Circuit 2	112	225	115	262	117	306	119	357	121	415	122	479
	120	227	123	263	126	307	128	357	130	414	131	477
	139	234	142	269	145	311	147	360	149	415	150	477
	159	245	162	279	165	319	168	367	170	421	172	482



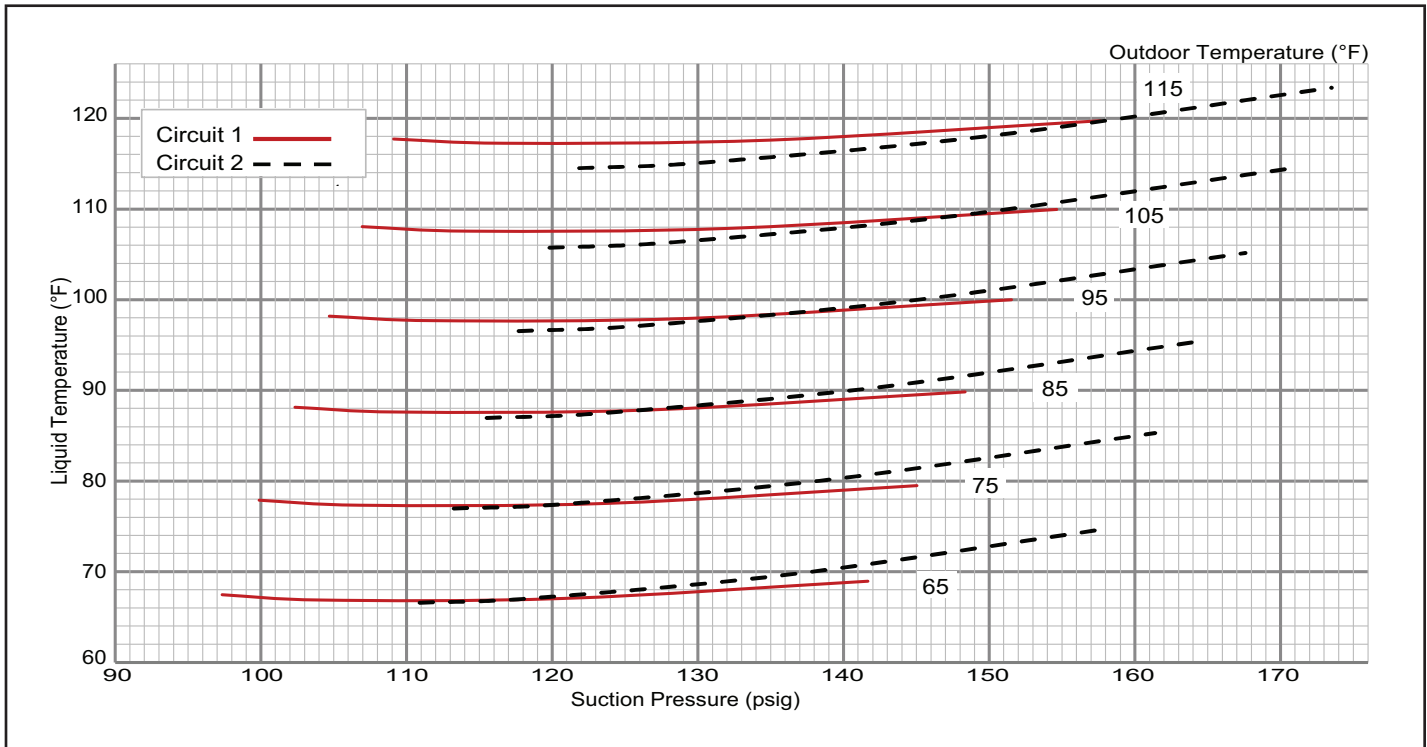
**TABLE 9 581253-01
LGT/LCT120**

Normal Operating Pressures												
Outdoor Coil Entering Air Temperature												
	65°F		75°F		85°F		95°F		105°F		115°F	
	Suct (psig)	Disc (psig)	Suct (psig)	Disc (psig)	Suct (psig)	Disc (psig)	Suct (psig)	Disc (psig)	Suct (psig)	Disc (psig)	Suct (psig)	Disc (psig)
Circuit 1	95	228	97	266	100	310	102	357	105	409	108	466
	104	229	106	268	108	311	111	358	114	411	117	467
	120	235	123	273	126	316	128	363	132	415	135	471
	138	242	141	280	144	323	147	370	150	422	154	478
Circuit 2	112	233	113	273	114	318	114	369	115	425	116	487
	120	237	121	276	122	320	123	370	124	425	125	486
	136	246	138	283	140	326	142	373	144	427	146	486
	155	256	157	292	160	332	163	378	166	430	169	487



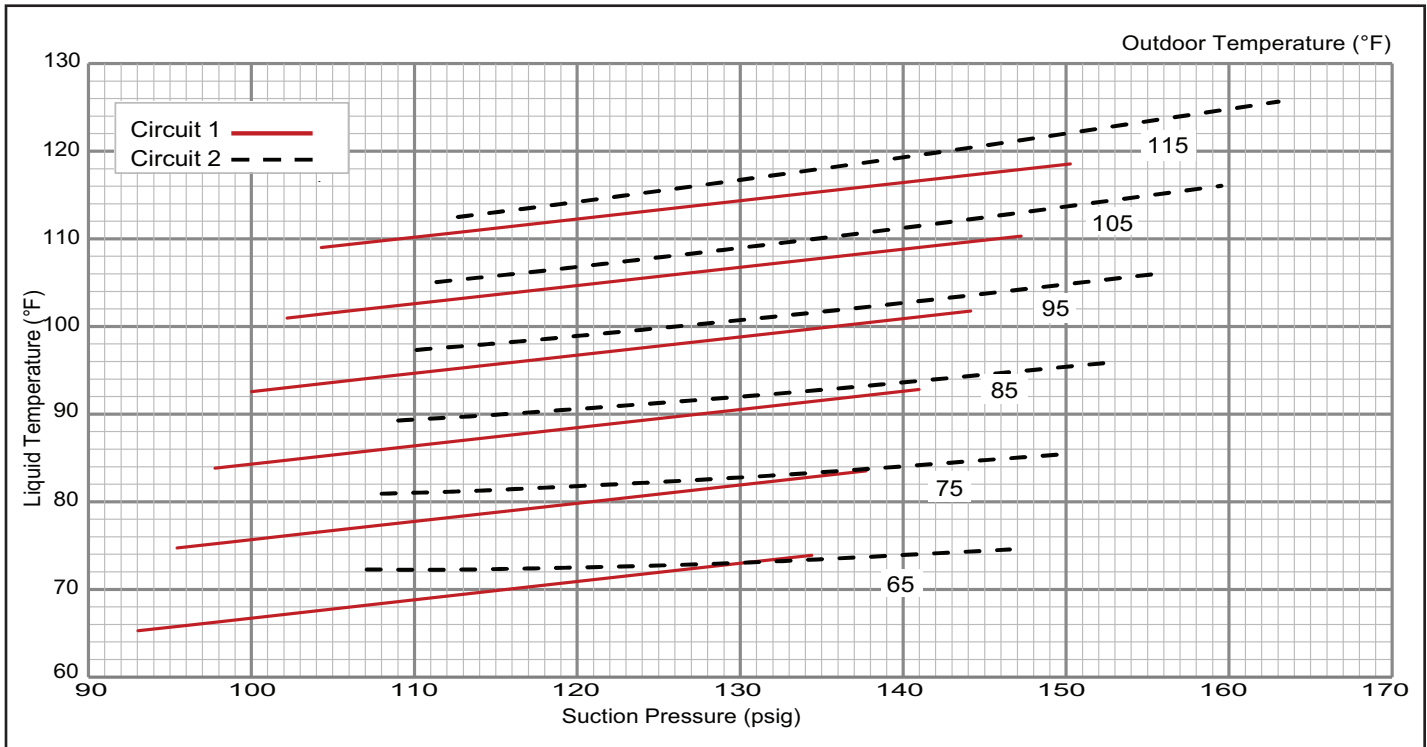
**TABLE 10 581254-01
LGT/LCT120 w/ Reheat**

Normal Operating Pressures												
Outdoor Coil Entering Air Temperature												
	65°F		75°F		85°F		95°F		105°F		115°F	
	Suct (psig)	Disc (psig)	Suct (psig)	Disc (psig)	Suct (psig)	Disc (psig)	Suct (psig)	Disc (psig)	Suct (psig)	Disc (psig)	Suct (psig)	Disc (psig)
Circuit 1	97	240	100	278	102	322	105	371	107	427	109	489
	104	241	107	278	109	321	112	370	114	425	117	486
	121	247	124	283	127	325	130	373	132	427	135	487
	142	262	145	297	148	337	152	384	155	437	158	495
Circuit 2	111	240	113	279	116	322	118	370	120	422	122	479
	119	242	121	280	124	323	126	370	128	423	131	480
	137	248	140	286	142	329	145	376	148	428	150	484
	158	260	161	297	165	340	168	387	171	438	174	495



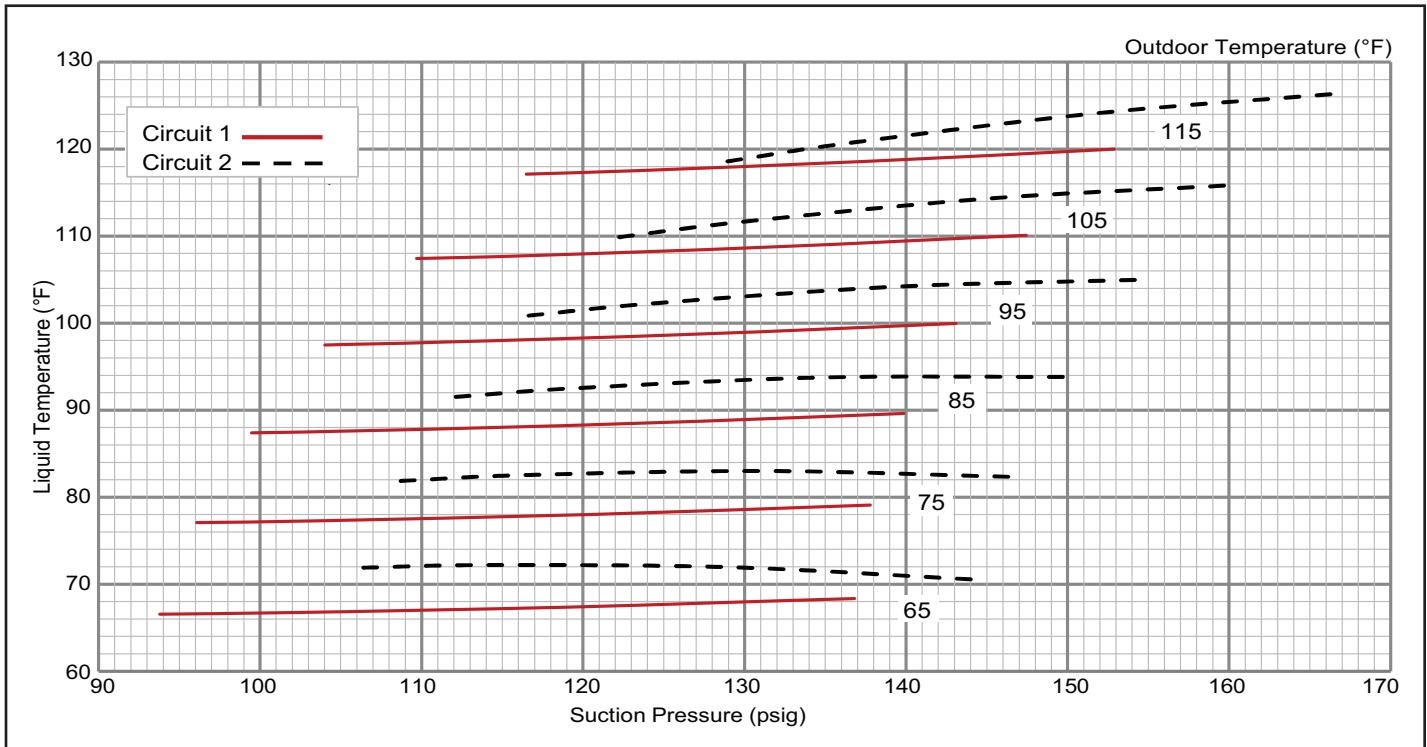
**TABLE 11 581255-01
LGT/LCT150**

Normal Operating Pressures												
Outdoor Coil Entering Air Temperature												
	65°F		75°F		85°F		95°F		105°F		115°F	
	Suct (psig)	Disc (psig)	Suct (psig)	Disc (psig)	Suct (psig)	Disc (psig)	Suct (psig)	Disc (psig)	Suct (psig)	Disc (psig)	Suct (psig)	Disc (psig)
Circuit 1	93	233	95	272	98	316	100	365	102	418	104	476
	101	234	103	273	106	317	108	365	111	418	113	476
	117	241	120	280	123	323	126	370	128	422	131	479
	134	253	138	291	141	333	144	380	147	431	150	488
Circuit 2	107	255	108	297	109	345	110	399	111	459	113	525
	114	258	116	299	117	346	119	399	120	457	122	522
	130	270	132	308	134	352	137	402	139	458	142	520
	147	289	150	324	153	366	156	413	160	466	163	525



**TABLE 12 581256-01
LGT/LCT150 w/ Reheat**

Normal Operating Pressures												
Outdoor Coil Entering Air Temperature												
	65°F		75°F		85°F		95°F		105°F		115°F	
	Suct (psig)	Disc (psig)	Suct (psig)	Disc (psig)	Suct (psig)	Disc (psig)	Suct (psig)	Disc (psig)	Suct (psig)	Disc (psig)	Suct (psig)	Disc (psig)
Circuit 1	94	245	96	281	99	323	104	371	110	426	116	487
	102	249	104	284	107	326	111	374	117	428	123	489
	119	258	120	292	123	333	127	380	132	434	138	494
	137	269	138	303	140	343	143	389	147	442	153	501
Circuit 2	106	253	109	292	112	336	117	386	122	442	129	503
	114	258	116	297	120	340	124	390	130	445	137	507
	129	270	131	307	135	351	139	399	145	454	152	515
	144	283	146	320	150	362	154	410	160	464	167	524



Diagnostic Sensors

Units are equipped with four factory-installed thermistors (RT46 - RT49) located on different points on the refrigerant circuit.

The thermistors provide the Unit Controller with constant temperature readings of four specific locations on the refrigeration circuit. These temperatures are used as

feedback in certain modes of unit operation. In addition, the Unit Controller uses these temperatures to initiate alarms such as loss of condenser or evaporator airflow and loss of charge.

Each thermistor must be specifically placed for proper unit operation and to initiate valid alarms. See FIGURE 29 and FIGURE 30 proper locations.

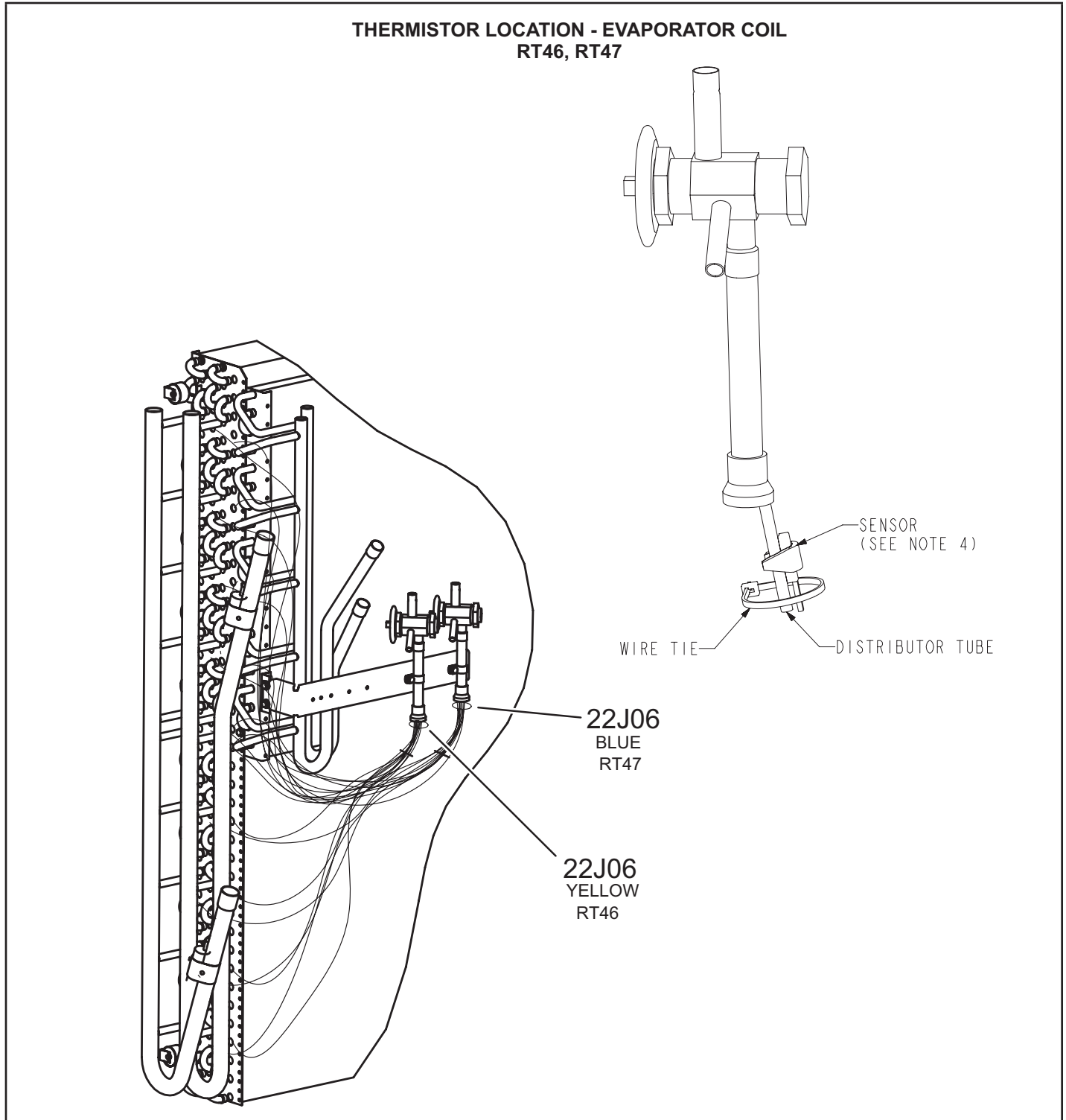
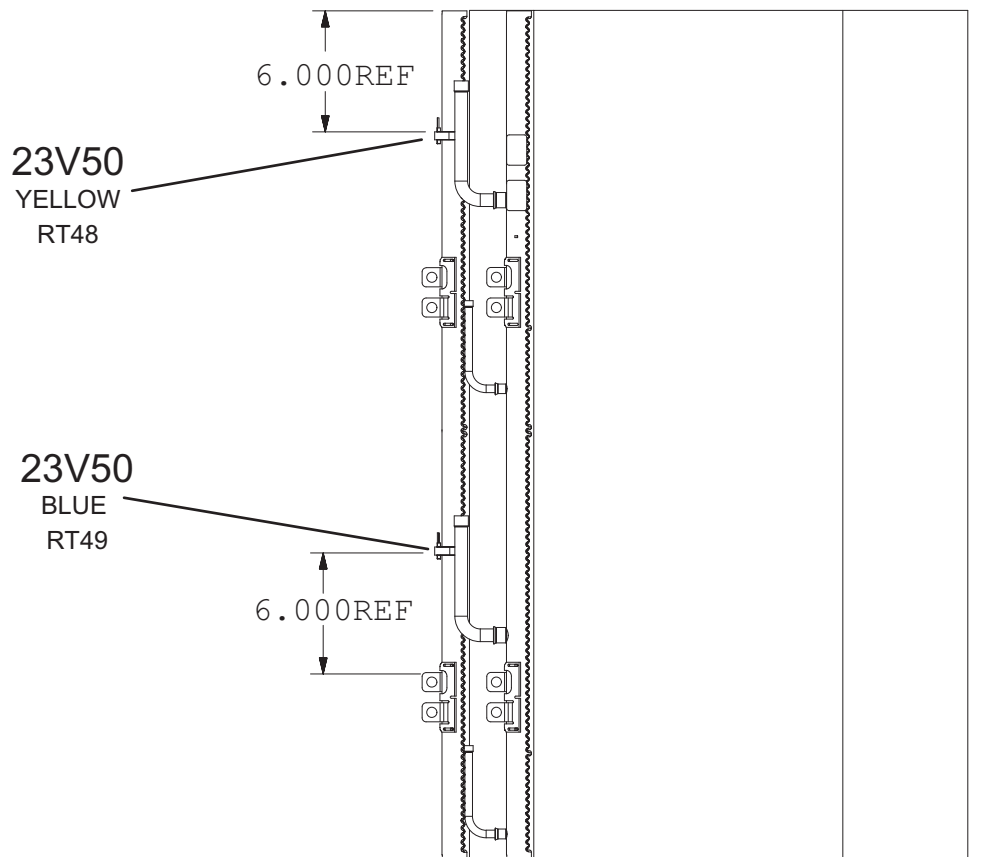
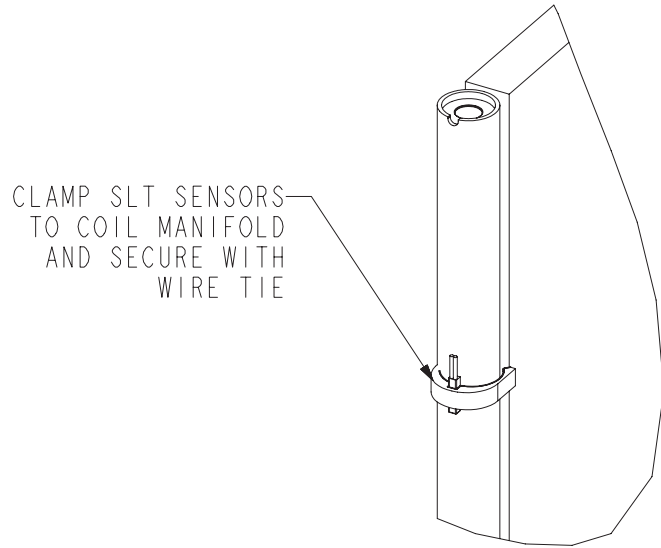


FIGURE 29

**THERMISTOR LOCATION - CONDENSER COIL
RT48, RT49**



DETAILS NOT TO SCALE

FIGURE 30

RDS Sensors

Units are equipped with factory-installed RDS Sensors located on different points on the unit. The RDS sensors provide the Unit Controller with continuous readings for leaked refrigerant concentration levels and sensor health status (Good or Fault). These readings are used to modify unit operation to disperse the leaked refrigerant and to remove possible ignition sources. In addition, the Unit Controller uses these readings to initiate alarms to alert the operator of a refrigerant leak or faulty sensor(s).

Each sensor must be specifically placed for proper unit operation and to initiate valid alarms. To identify sensor locations see TABLE 13 and FIGURE 31.

TABLE 13
RDS Sensor Figures

Model	Qty.	Type	Figure
LGT/ LCT092-150	1 sensor	INDOOR SENSOR	FIGURE 31

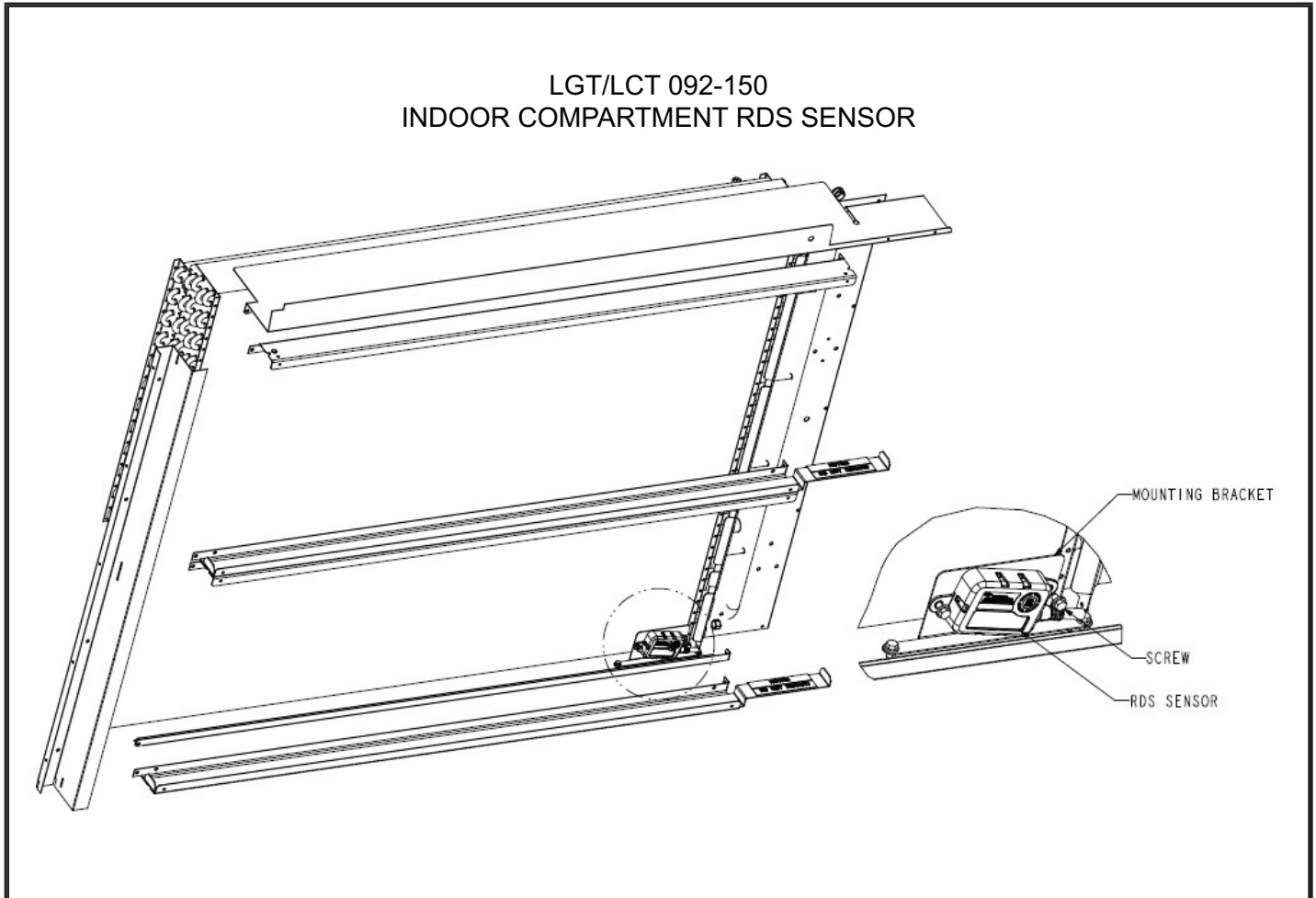


FIGURE 31

Gas Heat Start-Up (Gas Units)

FOR YOUR SAFETY, READ BEFORE LIGHTING

⚠ WARNING



Electric shock hazard. Can cause injury or death. Do not use this unit if any part has been under water. Immediately call a qualified service technician to inspect the unit and to replace any part of the control system and any gas control which has been under water.

⚠ WARNING



Danger of explosion. Can cause injury or product or property damage. If over heating occurs or if gas supply fails to shut off, shut off the manual gas valve to the appliance before shutting off electrical supply.

⚠ WARNING



Electric shock hazard. Can cause injury or death. Before attempting to perform any service or maintenance, turn the electrical power to unit OFF at disconnect switch(es). Unit may have multiple power supplies.

⚠ WARNING

SMOKE POTENTIAL

The heat exchanger in this unit could be a source of smoke on initial firing. Take precautions with respect to building occupants and property. Vent initial supply air outside when possible.

BEFORE LIGHTING smell all around the appliance area for gas. Be sure to smell next to the floor because some gas is heavier than air and will settle on the floor.

Use only your hand to push in or turn the gas control knob. Never use tools. If the knob will not push in or turn by hand, do not try to repair it, call a qualified service technician. Force or attempted repair may result in a fire or explosion.

⚠ WARNING



Danger of explosion. Can cause injury or death. Do not attempt to light manually. Unit has a direct spark ignition system.

This unit is equipped with an automatic spark ignition system. There is no pilot. In case of a safety shutdown, move thermostat switch to **OFF** and return the thermostat switch to **HEAT** to reset ignition control.

A-Placing Unit In Operation

⚠ WARNING



Danger of explosion and fire. Can cause injury or product or property damage. You must follow these instructions exactly.

Gas Valve Operation for Honeywell VR8205Q/VR8305Q and White Rodgers 36H54 (FIGURE 32 and FIGURE 33).

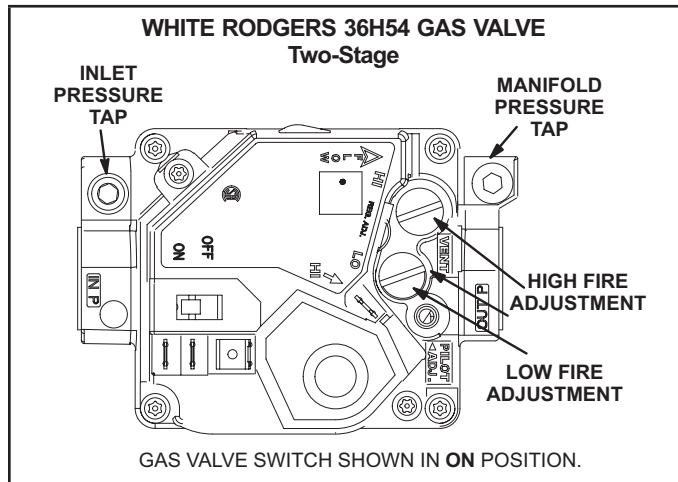


FIGURE 32

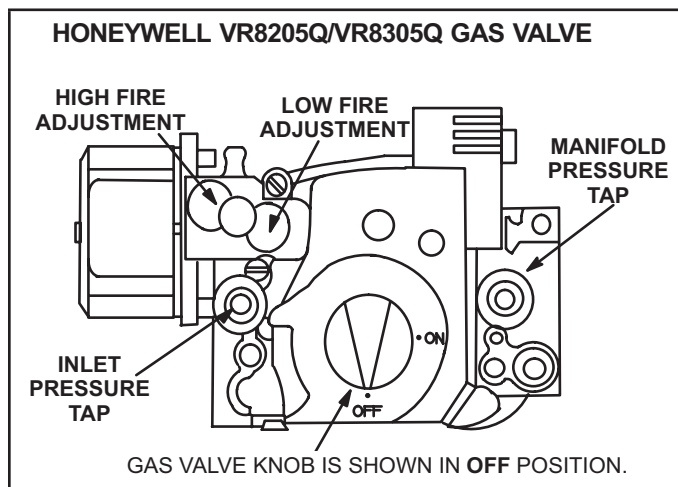


FIGURE 33

- 1 - Set thermostat to lowest setting.
- 2 - Turn off all electrical power to appliance.
- 3 - This appliance is equipped with an ignition device which automatically lights the burner. Do not try to light the burner by hand.
- 4 - Open or remove the heat section access panel.

- 5 - Turn gas valve switch to **OFF**. See FIGURE 32. On Honeywell VR8305Q gas valves, turn the knob on the gas valve clockwise to **OFF**. Do not force. See FIGURE 33.
- 6 - Wait five (5) minutes to clear out any gas. If you then smell gas, **STOP!** Immediately call your gas supplier from a neighbor's phone. Follow the gas supplier's instructions. If you do not smell gas, go to the next step.
- 7 - Turn gas valve switch to **ON**. See FIGURE 32. On Honeywell VR8305Q gas valves, turn the knob on the gas valve counterclockwise to **ON**. Do not force. See FIGURE 33.
- 8 - Close or replace the heat section access panel.
- 9 - Turn on all electrical power to appliance.
- 10 - Set thermostat to desired setting.
- 11 - The ignition sequence will start.
- 12 - If the appliance does not light the first time (gas line not fully purged), it will attempt up to two more ignitions before locking out.
- 13 - If lockout occurs, repeat steps 1 through 10.
- 14 - If the appliance will not operate, follow the instructions "Turning Off Gas to Appliance" and call your service technician or gas supplier.

Turning Off Gas to Unit

- 1 - If using an electromechanical thermostat, set to the lowest setting.
- 2 - Before performing any service, turn off all electrical power to the appliance.
- 3 - Open or remove the heat section access panel.
- 4 - Turn gas valve switch to **OFF**. On Honeywell VR8305Q gas valves, turn the knob on the gas valve clockwise to **OFF**. Do not force.
- 5 - Close or replace the heat section access panel.

WARNING



Danger of explosion and fire. Can cause injury or product or property damage. You must follow these instructions exactly.

Heating Operation and Adjustments

(Gas Units)

A-Heating Sequence of Operation

- 1 - On a heating demand the combustion air inducer starts immediately.
- 2 - Combustion air pressure switch proves inducer operation. After a 30-second pre-purge, power is allowed to ignition control. Switch is factory set and requires no adjustment.

- 3 - Spark ignitor energizes and gas valve solenoid opens.
- 4 - Spark ignites gas, ignition sensor proves the flame and combustion continues.
- 5 - If flame is not detected after first ignition trial, ignition control will repeat steps 3 and 4 two more times before locking out the gas valve.
- 6 - For troubleshooting purposes, an ignition attempt after lock out may be re-established manually. Move thermostat to **OFF** and return thermostat switch to **HEAT** position.

B-Limit Controls

Limit controls are factory-set and are not adjustable. The primary limit is located on the blower deck to the right of the blower housing.

C-Heating Adjustment

Main burners are factory-set and do not require adjustment.

The following manifold pressures are listed on the gas valve.

Natural Gas Units - Low Fire - 1.6" w.c. (not adjustable)

Natural Gas Units - High Fire - 3.7" w.c.

LP Gas Units - Low Fire - 5.5" w.c. (not adjustable)

LP Gas Units - High Fire - 10.5" w.c.

Electric Heat Start-Up (Cooling Units)

Factory or Field-Installed Option

Electric heat will stage on and cycle with thermostat demand. Number of stages of electric heat will vary depending on electric heat assembly. See electric heat wiring diagram on unit for sequence of operation.

Cooling Operation

This is a summary of cooling operation. Refer to the sequence of operation provided in the Engineering Handbook or Service Manual for more detail.

NOTE - Free cooling is locked-out during reheat operation. Refer to hot gas reheat start-up and operation section for details.

A-Two-Stage Thermostat

1 - Economizer With Outdoor Air Suitable

Y1 Demand -

Compressors Off
Blower Cooling Low
Dampers modulate

Y2 Demand -

Compressors Off
Blower Cooling High
Dampers Modulate

NOTE - If dampers are at maximum open for three minutes, compressor 1 is energized and runs at full load, blower stays on cooling high.

2 - No Economizer or Outdoor Air Not Suitable

Y1 Demand -

Compressor 1 on Full Load
Blower Cooling Low
Dampers Minimum Position

Y2 Demand -

Compressors On
Blower Cooling High
Dampers Minimum Position

B-Room Sensor

1 - Economizer With Outdoor Air Suitable

Compressors Off
Blower Modulates
Dampers modulate

NOTE - If dampers are at maximum open for five minutes, compressors are energized and the blower modulates.

2 - No Economizer or Outdoor Air Not Suitable

Compressors Modulate
Blower Modulates
Dampers Minimum Position

C-Three-Stage Thermostat

1 - Economizer With Outdoor Air Suitable

Y1 Demand -

Compressors Off
Blower Cooling Low*
Dampers Modulate

Y2 Demand -

Compressors Off
Blower Cooling High*
Dampers Modulate

NOTE - If dampers are at maximum open for three minutes, compressor 1 is energized and runs at full load, blower stays on cooling high.

Y3 Demand -

Compressors On
Blower Cooling High*
Dampers Maximum
Open Compressors On

*In discharge air control (DAC) mode, blower operates to maintain duct static pressure.

2 - Economizer With Outdoor Air Not Suitable

Y1 Demand -

Compressor 1 On Part Load, Compressor 2 On (in DAC mode, Compressor 2 Off)
Blower Cooling Low*

Y2 Demand -

Compressor 1 On Part Load, Compressor 2 On
Blower Cooling Medium*
Dampers Minimum Position

Y3 Demand -

Compressors On
(in DAC mode, Compressor 1 on Full Load, Compressor 2 On)
Blower Cooling High*
Dampers Minimum Position
Compressors On

*In discharge air control (DAC) mode, blower operates to maintain duct static pressure

Modulating Hot Gas Reheat Start-Up and Operation

General

Hot gas reheat units provide a dehumidifying mode of operation. These units contain a reheat coil adjacent to and downstream of the evaporator coil. Reheat coil solenoid valve, L14, routes hot discharge gas from the compressor to the reheat coil. Return air pulled across the evaporator coil is cooled and dehumidified; the reheat coil adds heat to supply air. See FIGURE 34 for reheat refrigerant routing and FIGURE 35 for standard refrigerant routing.

L14 Reheat Coil Solenoid Valve

When Unit Controller input (Unit Controller J298-5 or J299-8) indicates room conditions require dehumidification, L14 reheat valve is energized (Unit Controller J394-1) and refrigerant is routed to the reheat coil.

Reheat Setpoint

Reheat is factory-set to energize when indoor relative humidity rises above 60% (default).

The reheat setpoint can be adjusted by changing mobile service app Settings - Control menu. A setting of 100% will operate reheat from an energy management system digital output.

The reheat setpoint can also be adjusted using an optional Network Control Panel (NCP). Reheat will terminate when the indoor relative humidity falls 3% (57% default) or the digital output de-energizes. The reheat deadband can be adjusted at Settings - Control menu.

Check-Out

Test hot gas reheat operation using the following procedure.

- 1 - Make sure reheat is wired as shown in wiring section.
- 2 - Make sure unit is in local thermostat mode.
- 3 - Select:

**RTU MENU > SERVICE > COMPONENT TEST >
DEHUMIDIFICATION**

The blower and compressor 1 (reheat) should be operating. DEHUMIDIFIER 1 ON will appear.

- 4 - Press **STOP** to discontinue the testing mode.

Compressor 1 (reheat) and blower should de-energize.

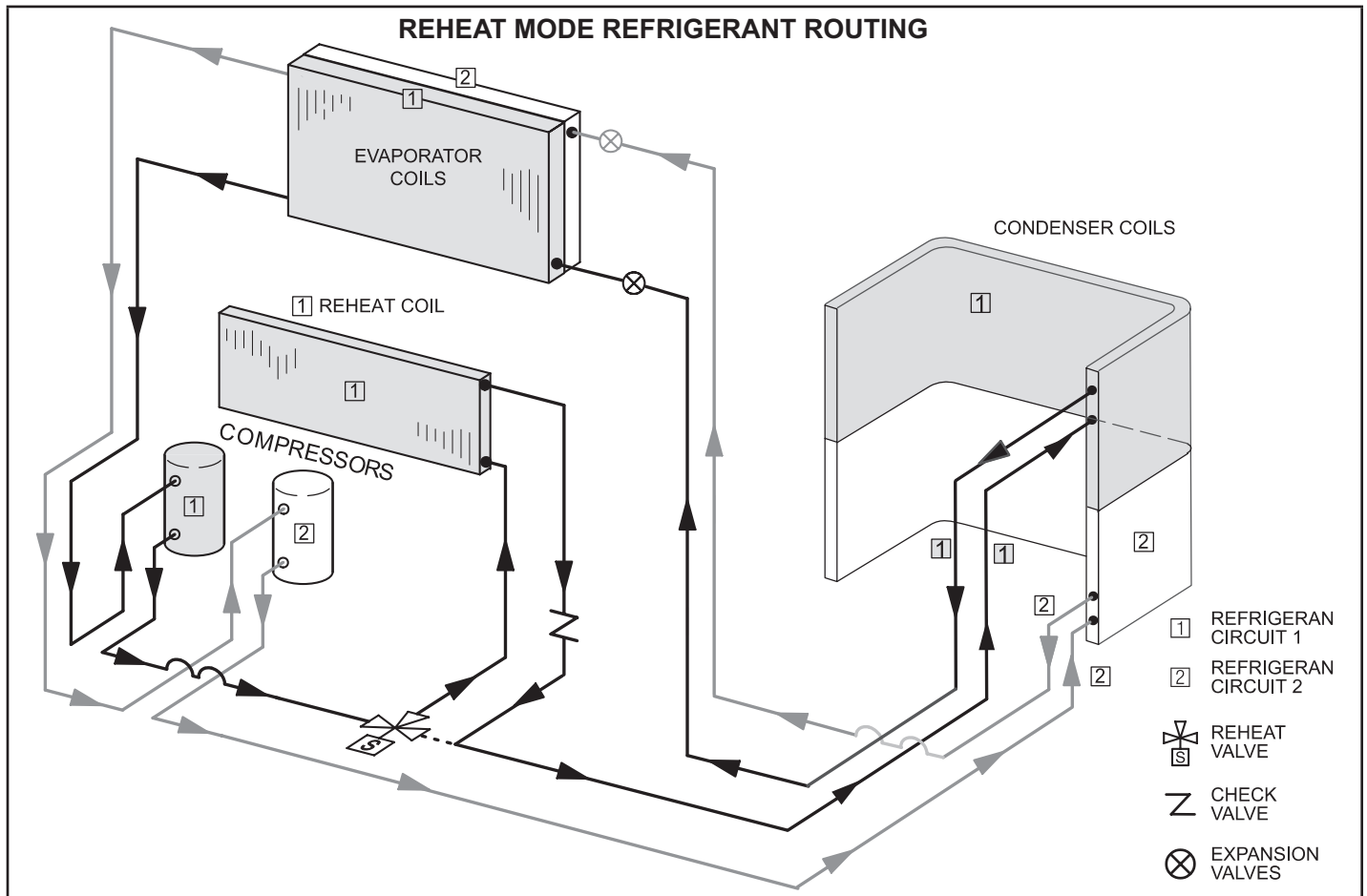


FIGURE 34

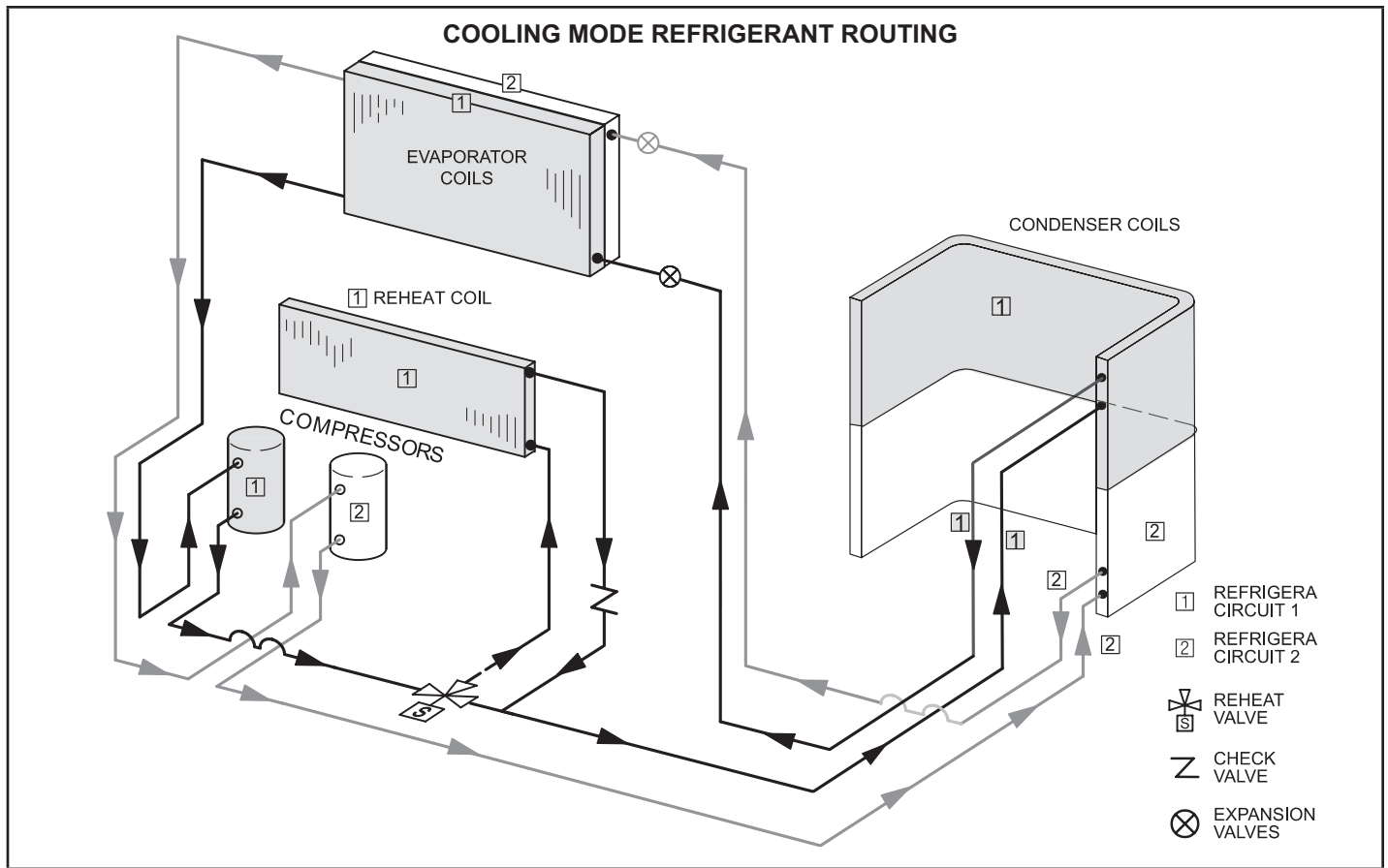


FIGURE 35

Default Reheat Operation

TABLE 14

Reheat Operation - Two Cooling Stages - Default

T'stat & Humidity Demands	Operation
Reheat Only	Compressor 1 Full Load Reheat ON Blower Low
Reheat & Y1	Compressor 1 & 2 Full Load Reheat ON Blower High
Reheat & Y1 & Y2	Compressor 1 & 2 Full Load Reheat OFF Blower High

*If there is no reheat demand and outdoor air is suitable, free cooling will operate.

**If there is no reheat demand and outdoor air is suitable, free cooling and compressor 1 will operate.

TABLE 15

Reheat Operation - Three Cooling Stages - Default

T'stat & Humidity Demands	Operation
Reheat Only	Compressor 1 Full Load Reheat ON Blower Low
Reheat & Y1	Compressor 1 & 2 Full Load Reheat ON Blower Medium
Reheat & Y1, Y2	Compressor 1 & 2 Full Load Reheat ON Blower High
Reheat & Y1, Y2, Y3	Compressor 1 & 2 Full Load No Reheat OFF Blower High

*If there is no reheat demand and outdoor air is suitable, free cooling will operate.

**If there is no reheat demand and outdoor air is suitable, free cooling and compressor 1 will operate.

Preventative Maintenance / Repair

IMPORTANT MAINTENANCE / REPAIR SAFETY INSTRUCTIONS

Prior to beginning work on systems containing FLAMMABLE REFRIGERANTS, safety checks are necessary to ensure that the risk of ignition is minimized.

Work shall be undertaken under a controlled procedure to minimize the risk of a flammable gas or vapor being present while the work is being performed.

All maintenance staff and others working in the local area shall be instructed on the nature of work being carried out. Work in confined spaces shall be avoided.

The area shall be checked with an appropriate refrigerant detector prior to and during work, to ensure the technician is aware of potentially toxic or flammable atmospheres. Ensure that the leak detection equipment being used is suitable for use with all applicable refrigerants, i.e. non-sparking, adequately sealed or intrinsically safe.

If any hot work is to be conducted on the refrigerating equipment or any associated parts, appropriate fire extinguishing equipment shall be available to hand. Have a dry powder or CO2 fire extinguisher adjacent to the charging area.

No person carrying out work in relation to a REFRIGERATING SYSTEM which involves exposing any pipe work shall use any sources of ignition in such a manner that it may lead to the risk of fire or explosion. All possible ignition sources, including cigarette smoking, should be kept sufficiently far away from the site of installation, repairing, removing and disposal, during which refrigerant can possibly be released to the surrounding space. Prior to work taking place, the area around the equipment is to be surveyed to make sure that there are no flammable hazards or ignition risks. "No Smoking" signs shall be displayed.

Where electrical components are being changed, they shall be fit for the purpose and to the correct specification. At all times, the manufacturer's maintenance and service guidelines shall be followed. If in doubt, consult the manufacturer's technical department for assistance.

The following checks shall be applied to installations using FLAMMABLE REFRIGERANTS:

- the actual REFRIGERANT CHARGE is in accordance with the room size within which the refrigerant containing parts are installed;
- the ventilation machinery and outlets are operating adequately and are not obstructed;
- if an indirect refrigerating circuit is being used, the secondary circuit shall be checked for the presence of refrigerant;
- marking to the equipment continues to be visible and legible. Markings and signs that are illegible shall be corrected;

– refrigerating pipe or components are installed in a position where they are unlikely to be exposed to any substance which may corrode refrigerant containing components, unless the components are constructed of materials which are inherently resistant to being corroded or are suitably protected against being so corroded.

During repairs to sealed electrical components, the components shall be replaced. Replacement parts shall be in accordance with the manufacturer's specifications.

During repairs to intrinsically safe components, the components must be replaced. Replace components only with parts specified by the manufacturer. Other parts may result in the ignition of refrigerant in the atmosphere from a leak.

The unit should be inspected once a year by a qualified service technician.

CAUTION

Label all wires prior to disconnection when servicing controls. Wiring errors can cause improper and dangerous operation. Verify proper operation after servicing.

A-Filters

Units are equipped with four 20 X 25 X 2" filters. Filters should be checked monthly and replaced when necessary with filters of like kind and size. Take note of air flow direction marking on filter frame when reinstalling filters. See FIGURE 36.

NOTE - Filters must be U.L.C. certified or equivalent for use in Canada.

B-Lubrication

All motors are lubricated at the factory. No further lubrication is required.

C-Burners (Gas Units)

Periodically examine burner flames for proper appearance during the heating season. Before each heating season examine the burners for any deposits or blockage which may have occurred.

Clean burners as follows:

- 1 - Turn off both electrical power and gas supply to unit.
- 2 - Remove burner compartment access panel.
- 3 - Remove screws securing burner assembly to burner support and remove assembly. See FIGURE 37. Clean as necessary.
- 4 - Locate the ignitor under the left burners. Check ignitor spark gap with appropriately sized twist drills or feeler gauges. See FIGURE 38.
- 5 - Check the alignment of the ignitor and the sensor as shown in FIGURE 39 and TABLE 16.

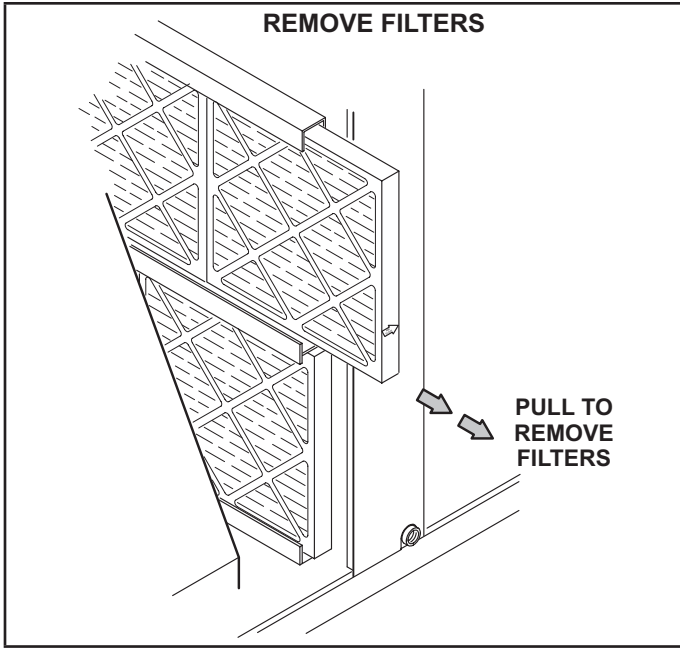


FIGURE 36

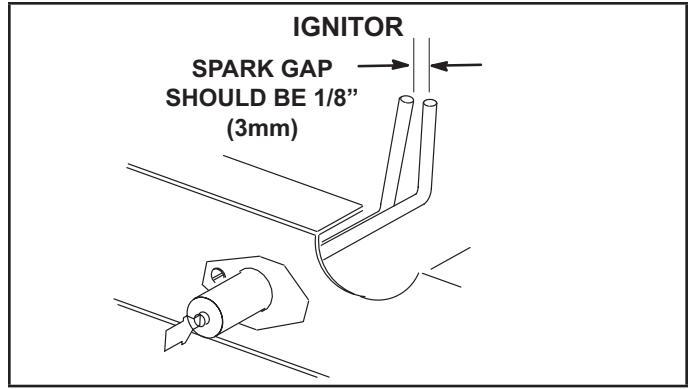


FIGURE 38

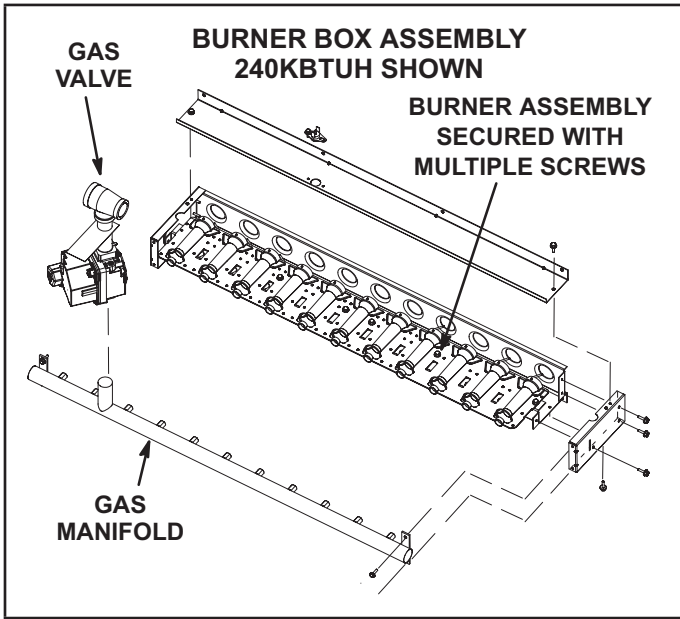


FIGURE 37

- 6 - Replace burners and screws securing burner.
- 7 - Replace access panel.
- 8 - Restore electrical power and gas supply. Follow lighting instructions attached to unit and use inspection port in access panel to check flame.

Dimension	Unit Btuh Input	Length - in. (mm)	
		Ignitor	Sensor
A	130K	7-3/4 (197)	11 (279)
B	180K	5 (127)	5-1/2 (140)
C	240K	2-1/4 (57)	2-3/4 (70)

⚠ WARNING

⚠

Danger of explosion. Can cause injury or death. Do not overtighten main burner mounting screws. Snug tighten only.

D-Combustion Air Inducer (Gas Units)

A combustion air proving switch checks combustion air inducer operation before allowing power to the gas controller. Gas controller will not operate if inducer is obstructed.

Under normal operating conditions, the combustion air inducer wheel should be checked and cleaned prior to the heating season. However, it should be examined periodically during the heating season to establish an ideal cleaning schedule. With power supply disconnected, the condition of the inducer wheel can be determined by looking through the vent opening.

Clean combustion air inducer as follows:

- 1 - Shut off power supply and gas to unit.
- 2 - Disconnect pressure switch air tubing from combustion air inducer port.
- 3 - Remove and retain screws securing combustion air inducer to flue box. Remove vent connector. See FIGURE 40.
- 4 - Clean inducer wheel blades with a small brush and wipe off any dust from housing. Clean accumulated dust from front of flue box cover.
- 5 - Return combustion air inducer motor and vent connector to original location and secure with retained screws. It is recommended that the combustion air inducer gasket be replaced during reassembly.
- 6 - Clean combustion air inlet louvers on heat access panel using a small brush.

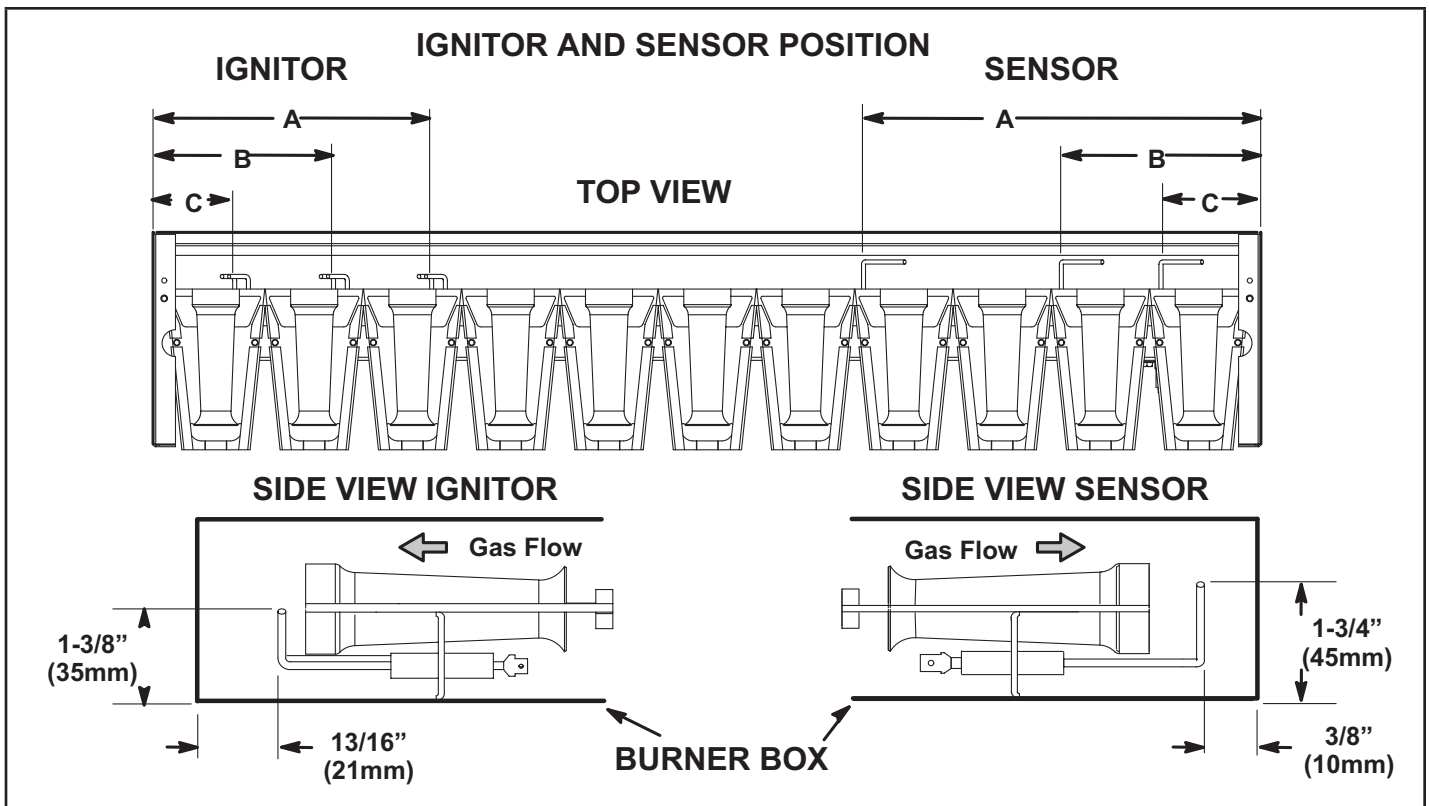


FIGURE 39

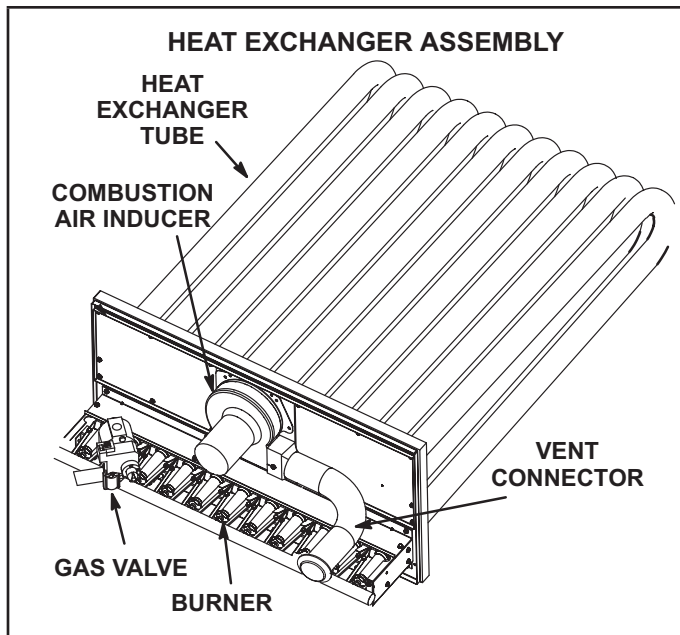


FIGURE 40

E-Flue Passageway and Flue Box (Gas Units)

- 1 - Remove combustion air inducer assembly as described in section D.
- 2 - Remove flue box cover. Clean with a wire brush as required.
- 3 - Clean tubes with a wire brush.
- 4 - Reassemble the unit. The flue box cover gasket and combustion air inducer gasket should also be replaced during reassembly.

F-Evaporator Coil

Inspect and clean coil at beginning of each cooling season. Clean using mild detergent or commercial coil cleaner. Flush coil and condensate drain with water taking care not to get insulation, filters and return air ducts wet.

G-Supply Air Blower Wheel

Annually inspect supply air blower wheel for accumulated dirt or dust. Turn off power before attempting to remove access panel or to clean blower wheel.

H-Condenser Coil

Clean condenser coil annually with detergent or commercial coil cleaner and inspect monthly during the cooling season. Access panels are provided on front and back of condenser section.

J-Needlepoint Bipolar Ionizer

The ionizer was designed for low maintenance. The device should be checked semi-annually to confirm the brushes are clean for maximum output. The ionizer is located on the blower deck. See FIGURE 41.

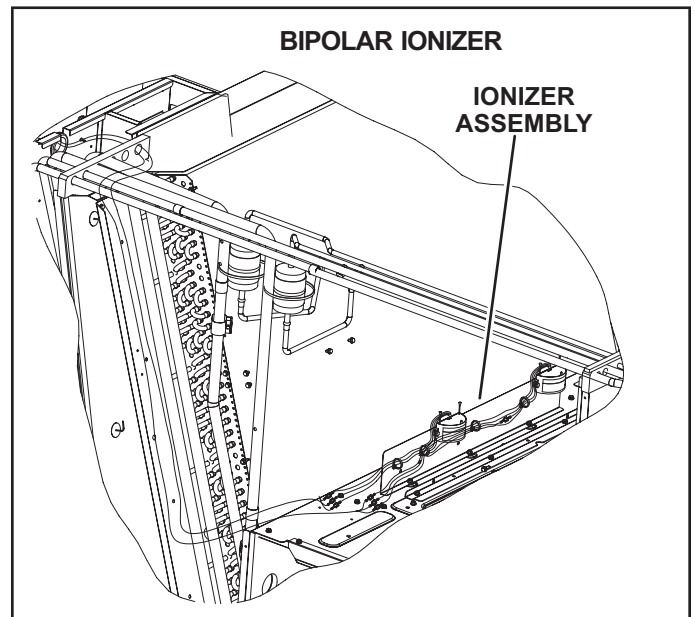


FIGURE 41

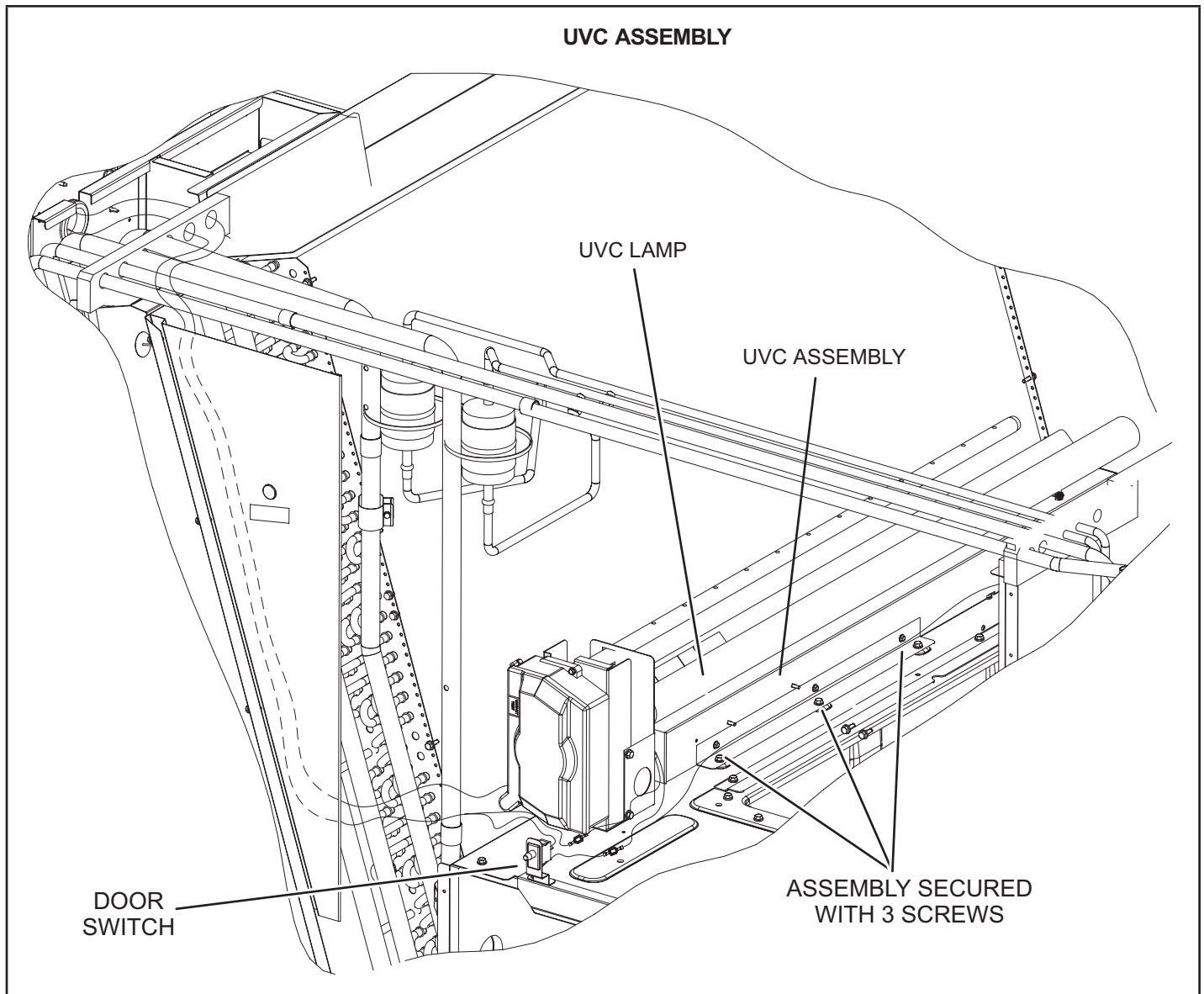


FIGURE 42

K-UVC Light

When field-installed, use only UVC Light Kit assembly 106882-01 (21A93) with this appliance.

Factory-Installed UVC Light

When the UVC light is factory installed, the lamp is shipped in a foam sleeve. The lamp is attached to the UVC light assembly on the blower deck. See FIGURE 42. Remove the lamp and install into the UVC light assembly as shown in steps 2 through 11.

Annual Lamp Replacement

⚠ WARNING

Personal Burn Hazard.

Personal injury may result from hot lamps. During replacement, allow lamp to cool for 10 minutes before removing lamp from fixture.

The lamp should be replaced every 12 months, as UVC energy production diminishes over time.

- 1 - Obtain replacement lamp 101087-01 for your germicidal light model.
- 2 - Disconnect power to the rooftop unit before servicing the UVC kit.

- 3 - Open the blower access door.
- 4 - Remove the screw in wire tie from the UVC assembly and disconnect the 4-pin connector from the lamp end.
- 5 - Remove and retain the (3) screws securing the UVC assembly. Carefully slide the complete UVC assembly out through the blower access door. See FIGURE 42.

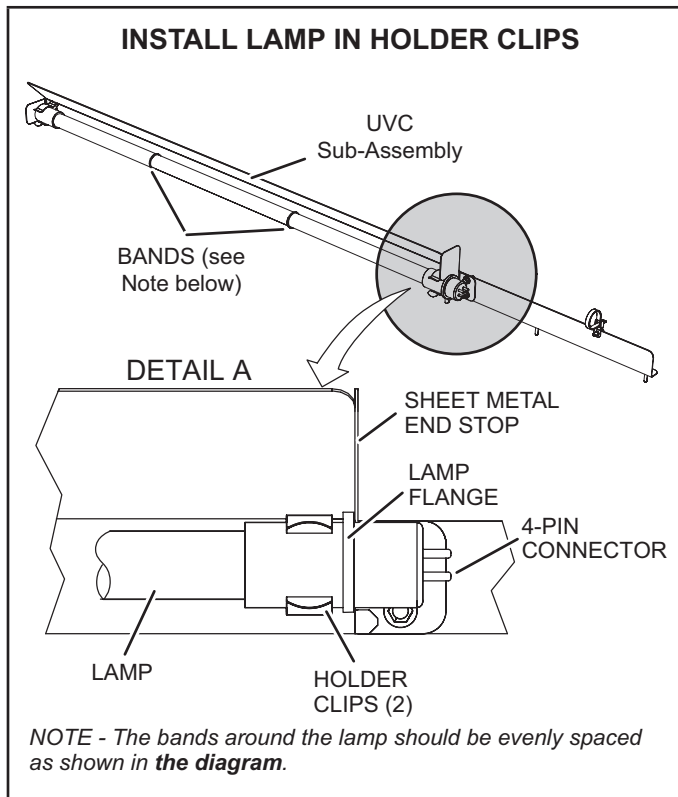


FIGURE 43

- 6 - Allow 10 minutes before touching the lamps. Then, carefully remove the old lamp from the lamp holder clips.
- 7 - Wear cotton gloves or use a cotton cloth when handling the new lamp. Place the new lamp in the holder clips of the UVC assembly. Verify that the lamp flange at the connector end is sandwiched between the lamp holder clip and the sheet-metal end stop (see FIGURE 43).
- 8 - Carefully place the UVC assembly on the blower deck. Line up the mounting holes on the UVC assembly with the mounting holes on the blower deck. See FIGURE 42. Use the retained screws provided to attach the UVC assembly in place.
- 9 - Close the blower access door.
- 10 - Reconnect power to the rooftop unit.
- 11 - Open the filter access door and look through the view port in the triangular sheet-metal panel to verify that the UVC light is on.

If UVC lamp does not come on:

- 1 - Check Power Wiring: Disconnect 1/4" QC (quick connects) of the UVC cable near the UVC assembly. With Power ON, use multimeter to test 110-230V at the 1/4"QC quick connects from the control panel.
- 2 - Check Lamp: Carefully remove the UVC assembly out of the rooftop unit. Use multimeter to test for continuity across each pair of pins at each end of the lamp.
- 3 - Check Lamp Installation: Make sure that lamp's pins snap properly into the lamp holder.

LED(s) not illuminated

Power status LED not lit - Check that the lamp unit is connected to the proper power source and is wired correctly.

Lamp status LED(s) not lit -

- 1 - Check that lamp 4-pin connectors are properly engaged.
- 2 - Ohm-check across the lamp pins to check for continuity of lamp filaments (see FIGURE 45).

Troubleshooting charts are provided to aid in determining the cause of any problems encountered (FIGURE 44 and FIGURE 45).

Lamp Disposal

Hg-LAMP Contains Mercury - Manage in accordance with local, state and federal disposal laws. Refer to www.lamprecycle.org or call 800-953-6669.

Proper Clean-up Technique in Case of Lamp Breakage

Wear protective gloves, eye wear and mask.

Sweep the broken glass and debris into a plastic bag, seal the bag, and dispose of properly. Contact your local waste management office for proper disposal.

Do not use a vacuum cleaner. Do not incinerate.

Maintenance

- For all maintenance, contact a qualified HVAC technician.
- Read the maintenance instructions before opening unit panels.
- Unintended use of the unit or damage to the unit housing may result in the escape of dangerous UVC radiation. UVC radiation may, even in small doses, cause harm to the eyes and skin.
- Do not operate units that are obviously damaged.
- Do not discard the triangular UVC light shield or any barriers with an ultraviolet radiation symbol.
- Do not override the door interlock switch that interrupts power to the UVC light.
- Do not operate the UVC light outside of the unit.

⚠ WARNING

Ultraviolet (UVC) Radiation hazard.

Any exposure will cause significant eye damage and may cause skin damage. DO NOT look into UVC light source. Access panels must be in place during appliance operation.

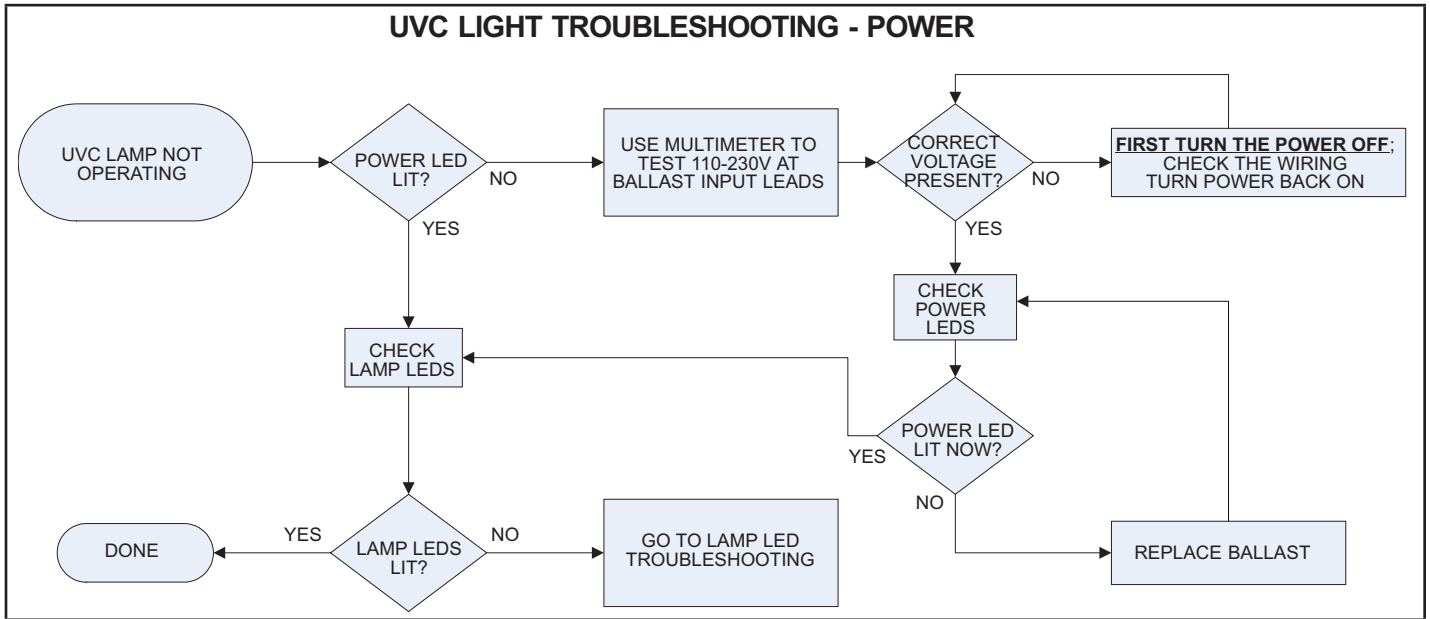


FIGURE 44

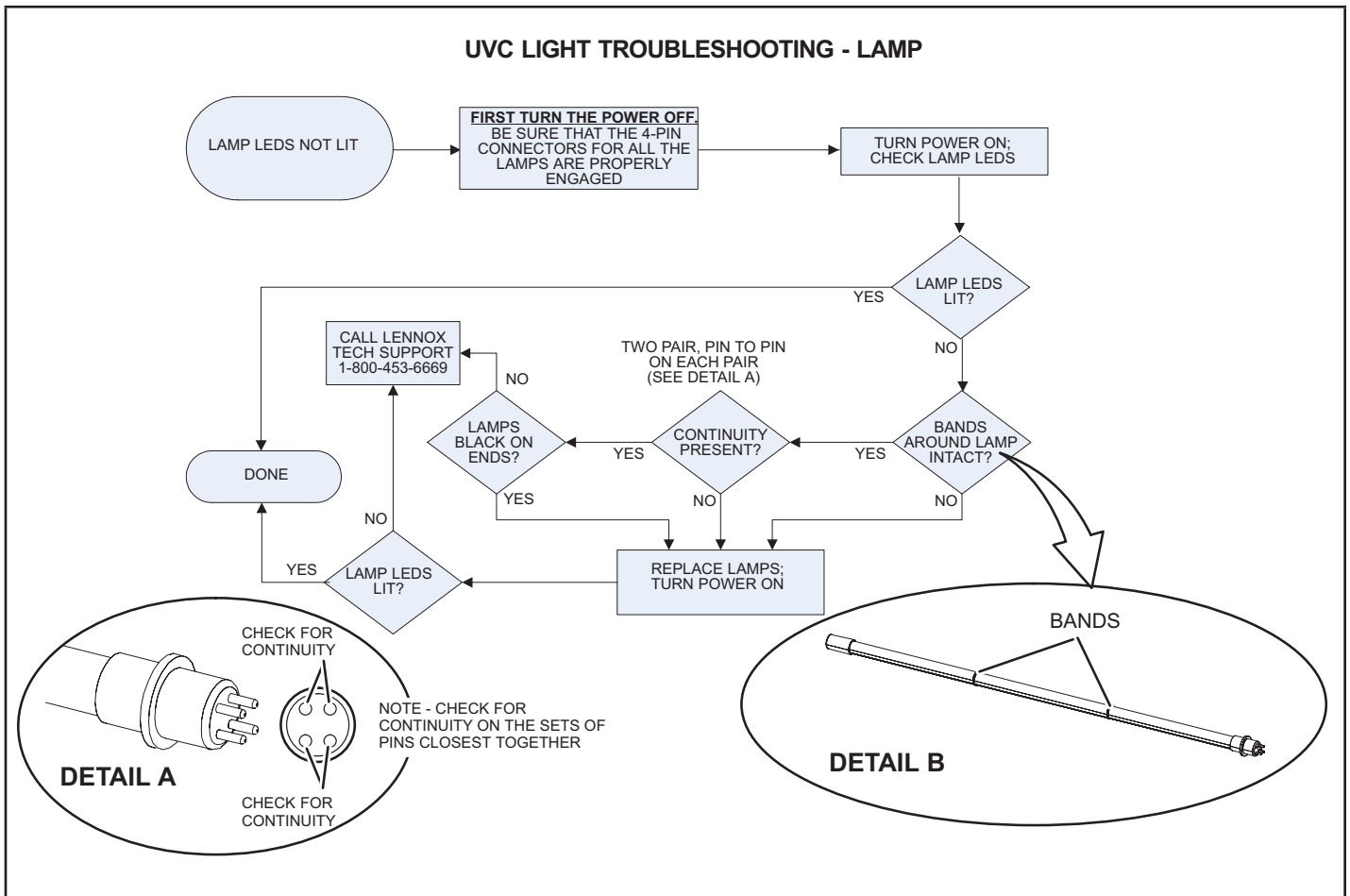


FIGURE 45

K-Replacement Fuses

See the following tables for the proper replacement fuse sizes.

ELECTRIC HEAT REPLACEMENT FUSES					
	Electric Heat		Qty.	Rating	
				Amp	Volt
1	E1EHO075BP1Y	7.5 kW Y Volt	3	25A	250
2	E1EHO075BP1G	7.5 kW G Volt	3	15A	600
3	E1EHO075BP1J	7.5 kW J Volt	3	10A	600
4	E1EHO150BP1Y	15 kW Y Volt	3	50A	250
5	E1EHO150BP1G	15 kW G Volt	3	25A	600
6	E1EHO150BP1J	15 kW J Volt	3	20A	600
7	E1EHO225BP1Y	22.5 kW Y Volt	3 EA.	50A & 25A	250
8	E1EHO225BP1G	22.5 kW G Volt	3 EA.	25A & 15A	600
9	E1EHO225BP1J	22.5 kW J Volt	3 EA.	20A & 10A	600
10	E1EHO300BP1Y	30 kW Y Volt	6	50A	250
11	E1EHO300BP1G	30 kW G Volt	6	25A	600
12	E1EHO300BP1J	30 kW J Volt	6	20A	600
13	E1EHO450BP1Y	45 kW Y Volt	3/6	50A & 60A	250
14	E1EHO450BP1G	45 kW G Volt	3 EA.	25A & 50A	600
15	E1EHO450BP1J	45 kW J Volt	3 EA.	20A & 40A	600
16	E1EHO600BP1Y	60 kW Y Volt	12	60A	250
17	E1EHO600BP1G	60 kW G Volt	6	50A	600
18	E1EHO600BP1J	60 kW J Volt	6	40A	600

TABLE 17

LGT 092								
Unit Voltage			208/230V - 3 Ph		460V - 3Ph		575V - 3Ph	
Power Exhaust Option			W / P.E.	W / O P.E.	W / P.E.	W / O P.E.	W / P.E.	W / O P.E.
Diagram Key	Class	Blower HP	Amps					
F10	CC	3.75	12 A	12 A	12 A	12 A	12 A	12 A
F57	CC	3.75	10 A	10 A	5 A	5 A	-	-
F30	CC	3.75	15 A	15 A	15 A	15 A	-	-
F31	CC	3.75	-	-	7.5 A	7.5 A	4 A	4 A
F61 ²	J	3.75	50 A	50 A	25 A	25 A	20 A	20 A
CB10 ³	-	3.75	50 A	50 A	25 A	25 A	20 A	20 A

²Fuses F61 are only used on units with SCCR installed.

³Units using Circuit Breakers will use CB10 option.

TABLE 18

LGT 102								
Unit Voltage			208/230V - 3 Ph		460V - 3Ph		575V - 3Ph	
Power Exhaust Option			W / P.E.	W / O P.E.	W / P.E.	W / O P.E.	W / P.E.	W / O P.E.
Diagram Key	Class	Blower HP	Amps					
F10	CC	3.75	12 A	12 A	12 A	12 A	12 A	12 A
F57	CC	3.75	10 A	10 A	5 A	5 A	-	-
F30	CC	3.75	15 A	15 A	15 A	15 A	-	-
F31	CC	3.75	-	-	7.5 A	7.5 A	4 A	4 A
F61 ²	J	3.75	50 A	50 A	25 A	25 A	20 A	20 A
CB10 ³	-	3.75	50 A	50 A	25 A	25 A	20 A	20 A

²Fuses F61 are only used on units with SCCR installed.

³Units using Circuit Breakers will use CB10 option.

TABLE 19

LGT 120								
Unit Voltage			208/230V - 3 Ph		460V - 3Ph		575V - 3Ph	
Power Exhaust Option			W / P.E.	W / O P.E.	W / P.E.	W / O P.E.	W / P.E.	W / O P.E.
Diagram Key	Class	Blower HP	Amps					
F10	CC	3.75	12 A	12 A	12 A	12 A	12 A	12 A
F57	CC	3.75	10 A	10 A	5 A	5 A	-	-
F30	CC	3.75	15 A	15 A	15 A	15 A	-	-
F31	CC	3.75	-	-	7.5 A	7.5 A	4 A	4 A
F61 ²	J	3.75	60 A	60 A	30 A	30 A	25 A	25 A
CB10 ³	-	3.75	60 A	60 A	30 A	30 A	25 A	25 A

²Fuses F61 are only used on units with SCCR installed.

³Units using Circuit Breakers will use CB10 option.

TABLE 20

LGT 150								
Unit Voltage			208/230V - 3 Ph		460V - 3Ph		575V - 3Ph	
Power Exhaust Option			W / P.E.	W / O P.E.	W / P.E.	W / O P.E.	W / P.E.	W / O P.E.
Diagram Key	Class	Blower HP	Amps					
F10	CC	3.75	12 A	12 A	12 A	12 A	12 A	12 A
F57	CC	3.75	10 A	10 A	5 A	5 A	-	-
F30	CC	3.75	15 A	15 A	15 A	15 A	-	-
F31	CC	3.75	-	-	7.5 A	7.5 A	4 A	4 A
F61 ²	J	3.75	80 A	80 A	35 A	35 A	25 A	25 A
CB10 ³	-	3.75	80 A	80 A	35 A	35 A	25 A	25 A

²Fuses F61 are only used on units with SCCR installed.

³Units using Circuit Breakers will use CB10 option.

TABLE 21

LCT 092																
Electric Heat Size			0 KW						7.5 KW							
Unit Voltage			208/230V - 3 Ph		460V - 3 Ph		575V - 3 Ph		208V - 3 Ph		240V - 3 Ph		460V - 3 Ph		575V - 3 Ph	
Power Exhaust Option			W / P.E.	W / O P.E.	W / P.E.	W / O P.E.	W / P.E.	W / O P.E.	W / P.E.	W / O P.E.	W / P.E.	W / O P.E.	W / P.E.	W / O P.E.	W / P.E.	W / O P.E.
Diagram Key	Class	Blower HP	Amps													
F4	RK or K ¹ or J	3.75	50 A	50 A	25 A	25 A	20 A	20 A	50 A	50 A	50 A	50 A	25 A	25 A	20 A	20 A
F10	CC	3.75	12 A	12 A	12 A	12 A	12 A	12 A	12 A	12 A	12 A	12 A	12 A	12 A	12 A	12 A
F30	CC	3.75	10 A	10 A	5 A	5 A	-	-	10 A	10 A	10 A	10 A	5 A	5 A	-	-
F31	CC	3.75	15 A	15 A	15 A	15 A	-	-	15 A	15 A	15 A	15 A	15 A	15 A	-	-
F57	CC	3.75	-	-	7.5 A	7.5 A	4 A	4 A	-	-	-	-	7.5 A	7.5 A	4 A	4 A
F61 ²	J	3.75	-	-	-	-	-	-	50 A	50 A	50 A	50 A	25 A	25 A	20 A	20 A
CB10 ³	-	3.75	50 A	50 A	25 A	25 A	20 A	20 A	50 A	50 A	50 A	50 A	25 A	25 A	20 A	20 A

¹ When SCCR is installed, F4 fuse is Class J.

² Fuses F61 are only used on units with SCCR installed.

³ Units using Circuit Breakers will use CB10 option.

TABLE 22

LCT 092 continued																		
Electric Heat Size			15 KW								22.5 KW							
Unit Voltage			208V - 3 Ph		240V - 3 Ph		460V - 3 Ph		575V - 3 Ph		208V - 3 Ph		240V - 3 Ph		460V - 3Ph		575V - 3 Ph	
Power Exhaust Option			W / P.E.	W / O P.E.	W / P.E.	W / O P.E.	W / P.E.	W / O P.E.	W / P.E.	W / O P.E.	W / P.E.	W / O P.E.	W / P.E.	W / O P.E.	W / P.E.	W / O P.E.	W / P.E.	W / O P.E.
Diagram Key	Class	Blower HP	Amps															
F4	RK or K ¹ or J	3.75	50 A	50 A	50 A	50 A	25 A	25 A	20 A	20 A	50 A	50 A	50 A	50 A	25 A	25 A	20 A	20 A
F10	CC	3.75	12 A	12 A	12 A	12 A	12 A	12 A	12 A	12 A	12 A	12 A	12 A	12 A	12 A	12 A	12 A	12 A
F30	CC	3.75	10 A	10 A	10 A	10 A	5 A	5 A	-	-	10 A	10 A	10 A	10 A	5 A	5 A	-	-
F31	CC	3.75	15 A	15 A	15 A	15 A	15 A	15 A	-	-	15 A	15 A	15 A	15 A	15 A	15 A	-	-
F57	CC	3.75	-	-	-	-	7.5 A	7.5 A	4 A	4 A	-	-	-	-	7.5 A	7.5 A	4 A	4 A
F61 ²	J	3.75	60 A	50 A	60 A	60 A	30 A	30 A	25 A	25 A	80 A	70 A	90 A	80 A	45 A	40 A	35 A	35 A
CB10 ³	-	3.75	60 A	50 A	60 A	60 A	30 A	30 A	25 A	25 A	80 A	70 A	90 A	80 A	45 A	40 A	35 A	35 A

¹ When SCCR is installed, F4 fuse is Class J.

² Fuses F61 are only used on units with SCCR installed.

³ Units using Circuit Breakers will use CB10 option.

TABLE 23

LCT 092 continued																		
Electric Heat Size			30 KW								45 KW							
Unit Voltage			208V - 3 Ph		240V - 3 Ph		460V - 3Ph		575V - 3 Ph		208V - 3 Ph		240V - 3 Ph		460V - 3Ph		575V - 3 Ph	
Power Exhaust Option			W/ P.E.	W/O P.E	W/ P.E.	W/O P.E	W/ P.E.	W/O P.E	W/ P.E.	W/O P.E	W/ P.E.	W/O P.E	W/ P.E.	W/O P.E	W/ P.E.	W/O P.E	W/ P.E.	W/O P.E
Diagram Key	Class	Blower HP	Amps															
F4	RK or K ¹ or J	3.75	50 A	50 A	50 A	50 A	25 A	25 A	20 A	20 A	50 A	50 A	50 A	50 A	25 A	25 A	20 A	20 A
F10	CC	3.75	12 A	12 A	12 A	12 A	12 A	12 A	12 A	12 A	12 A	12 A	12 A	12 A	12 A	12 A	12 A	12 A
F30	CC	3.75	10 A	10 A	10 A	10 A	5 A	5 A	-	-	10 A	10 A	10 A	10 A	5 A	5 A	-	-
F31	CC	3.75	15 A	15 A	15 A	15 A	15 A	15 A	-	-	15 A	15 A	15 A	15 A	15 A	15 A	-	-
F57	CC	3.75	-	-	-	-	7.5 A	7.5 A	4 A	4 A	-	-	-	-	7.5 A	7.5 A	4 A	4 A
F61 ²	J	3.75	100 A	90 A	110 A	110 A	60 A	60 A	45 A	45 A	150 A	150 A	150 A	150 A	80 A	80 A	60 A	60 A
CB10 ³	-	3.75	100 A	90 A	110 A	110 A	60 A	60 A	45 A	45 A	150 A	150 A	150 A	150 A	80 A	80 A	60 A	60 A

¹ When SCCR is installed, F4 fuse is Class J.

² Fuses F61 are only used on units with SCCR installed.

³ Units using Circuit Breakers will use CB10 option.

TABLE 24

LCT 102																
Electric Heat Size			0 KW						7.5 KW							
Unit Voltage			208V/230V - 3 Ph		460V - 3Ph		575V - 3 Ph		208V - 3 Ph		240V - 3 Ph		460V - 3Ph		575V - 3 Ph	
Power Exhaust Option			W/ P.E.	W/O P.E	W/ P.E.	W/O P.E	W/P.E.	W/O P.E	W/ P.E.	W/O P.E	W/P.E.	W/O P.E	W/P.E.	W/O P.E	W/ P.E.	W/O P.E
Diagram Key	Class	Blower HP	Amps													
F4	RK or K ¹ or J	3.75	50 A	50 A	25 A	25 A	20 A	20 A	50 A	50 A	50 A	50 A	25 A	25 A	20 A	20 A
F10	CC	3.75	12 A	12 A	12 A	12 A	12 A	12 A	12 A	12 A	12 A	12 A	12 A	12 A	12 A	12 A
F30	CC	3.75	10 A	10 A	5 A	5 A	-	-	10 A	10 A	10 A	10 A	5 A	5 A	-	-
F31	CC	3.75	15 A	15 A	15 A	15 A	-	-	15 A	15 A	15 A	15 A	15 A	15 A	-	-
F57	CC	3.75	-	-	7.5 A	7.5 A	4 A	4 A	-	-	-	-	7.5 A	7.5 A	4 A	4 A
F61 ²	J	3.75	-	-	-	-	-	-	50 A	50 A	50 A	50 A	25 A	25 A	20 A	20 A
CB10 ³	-	3.75	50 A	50 A	25 A	25 A	20 A	20 A	50 A	50 A	50 A	50 A	25 A	25 A	20 A	20 A

¹ When SCCR is installed, F4 fuse is Class J.

² Fuses F61 are only used on units with SCCR installed.

³ Units using Circuit Breakers will use CB10 option.

TABLE 25

LCT 102 continued																		
Electric Heat Size			15 KW								22.5 KW							
Unit Voltage			208V - 3 Ph		240V - 3 Ph		460V - 3Ph		575V - 3 Ph		208V - 3 Ph		240V - 3 Ph		460V - 3Ph		575V - 3 Ph	
Power Exhaust Option			W/ P.E.	W/O P.E.	W/ P.E.	W/O P.E.	W/ P.E.	W/O P.E.	W/ P.E.	W/O P.E.	W/ P.E.	W/O P.E.	W/ P.E.	W/O P.E.	W/ P.E.	W/O P.E.	W/ P.E.	W/O P.E.
Diagram Key	Class	Blower HP	Amps															
F4	RK or K ¹ or J	3.75	50 A	50 A	50 A	50 A	25 A	25 A	20 A	20 A	50 A	50 A	50 A	50 A	25 A	25 A	20 A	20 A
F10	CC	3.75	12 A	12 A	12 A	12 A	12 A	12 A	12 A	12 A	12 A	12 A	12 A	12 A	12 A	12 A	12 A	12 A
F30	CC	3.75	10 A	10 A	10 A	10 A	5 A	5 A	-	-	10 A	10 A	10 A	10 A	5 A	5 A	-	-
F31	CC	3.75	15 A	15 A	15 A	15 A	15 A	15 A	-	-	15 A	15 A	15 A	15 A	15 A	15 A	-	-
F57	CC	3.75	-	-	-	-	7.5 A	7.5 A	4 A	4 A	-	-	-	-	7.5 A	7.5 A	4 A	4 A
F61 ²	J	3.75	60 A	50 A	60 A	60 A	30 A	30 A	25 A	25 A	80 A	70 A	90 A	80 A	45 A	40 A	35 A	35 A
CB10 ³	-	3.75	60 A	50 A	60 A	60 A	30 A	30 A	25 A	25 A	80 A	70 A	90 A	80 A	45 A	40 A	35 A	35 A

¹ When SCCR is installed, F4 fuse is Class J.

² Fuses F61 are only used on units with SCCR installed.

³ Units using Circuit Breakers will use CB10 option.

TABLE 26

LCT 102 continued																		
Electric Heat Size			30 KW								45 KW							
Unit Voltage			208V - 3 Ph		240V - 3 Ph		460V - 3Ph		575V - 3 Ph		208V - 3 Ph		240V - 3 Ph		460V - 3Ph		575V - 3 Ph	
Power Exhaust Option			W/ P.E.	W/O P.E.	W/ P.E.	W/O P.E.	W/ P.E.	W/O P.E.	W/ P.E.	W/O P.E.	W/ P.E.	W/O P.E.	W/ P.E.	W/O P.E.	W/ P.E.	W/O P.E.	W/ P.E.	W/O P.E.
Diagram Key	Class	Blower HP	Amps															
F4	RK or K ¹ or J	3.75	50 A	50 A	50 A	50 A	25 A	25 A	20 A	20 A	50 A	50 A	50 A	50 A	25 A	25 A	20 A	20 A
F10	CC	3.75	12 A	12 A	12 A	12 A	12 A	12 A	12 A	12 A	12 A	12 A	12 A	12 A	12 A	12 A	12 A	12 A
F30	CC	3.75	10 A	10 A	10 A	10 A	5 A	5 A	-	-	10 A	10 A	10 A	10 A	5 A	5 A	-	-
F31	CC	3.75	15 A	15 A	15 A	15 A	15 A	15 A	-	-	15 A	15 A	15 A	15 A	15 A	15 A	-	-
F57	CC	3.75	-	-	-	-	7.5 A	7.5 A	4 A	4 A	-	-	-	-	7.5 A	7.5 A	4 A	4 A
F61 ²	J	3.75	100 A	90 A	110 A	110 A	60 A	60 A	45 A	45 A	150 A	150 A	150 A	150 A	80 A	80 A	60 A	60 A
CB10 ³	-	3.75	100 A	90 A	110 A	110 A	60 A	60 A	45 A	45 A	150 A	150 A	150 A	150 A	80 A	80 A	60 A	60 A

¹ When SCCR is installed, F4 fuse is Class J.

² Fuses F61 are only used on units with SCCR installed.

³ Units using Circuit Breakers will use CB10 option.

TABLE 27

LCT 120																
Electric Heat Size			0 KW						15 KW							
Unit Voltage			208/230V - 3 Ph		460V - 3 Ph		575V - 3 Ph		208V - 3 Ph		240V - 3 Ph		460V - 3 Ph		575V - 3 Ph	
Power Exhaust Option			W/ P.E.	W/O P.E.	W/ P.E.	W/O P.E.	W/ P.E.	W/O P.E.	W/ P.E.	W/O P.E.	W/ P.E.	W/O P.E.	W/ P.E.	W/O P.E.	W/ P.E.	W/O P.E.
Diagram Key	Class	Blower HP	Amps													
F4	RK or K ¹ or J	3.75	60 A	60 A	30 A	30 A	25 A	25 A	60 A	60 A	60 A	60 A	30 A	30 A	25 A	25 A
F10	CC	3.75	12 A	12 A	12 A	12 A	12 A	12 A	12 A	12 A	12 A	12 A	12 A	12 A	12 A	12 A
F30	CC	3.75	10 A	10 A	5 A	5 A	-	-	10 A	10 A	10 A	10 A	5 A	5 A	-	-
F31	CC	3.75	15 A	15 A	15 A	15 A	-	-	15 A	15 A	15 A	15 A	15 A	15 A	-	-
F57	CC	3.75	-	-	7.5 A	7.5 A	4 A	4 A	-	-	-	-	7.5 A	7.5 A	4 A	4 A
F61 ²	J	3.75	-	-	-	-	-	-	60 A	60 A	60 A	60 A	30 A	30 A	25 A	25 A
CB10 ³	-	3.75	60 A	60 A	30 A	30 A	25 A	25 A	60 A	60 A	60 A	60 A	30 A	30 A	25 A	25 A

¹ When SCCR is installed, F4 fuse is Class J.

² Fuses F61 are only used on units with SCCR installed.

³ Units using Circuit Breakers will use CB10 option.

TABLE 28

LCT 120 continued																		
Electric Heat Size			22.5 KW								30 KW							
Unit Voltage			208V - 3 Ph		240V - 3 Ph		460V - 3 Ph		575V - 3 Ph		208V - 3 Ph		240V - 3 Ph		460V - 3 Ph		575V - 3 Ph	
Power Exhaust Option			W/ P.E.	W/ O P.E.	W/ P.E.	W/ O P.E.	W/ P.E.	W/ O P.E.	W/ P.E.	W/ O P.E.	W/ P.E.	W/O P.E.	W/ P.E.	W/O P.E.	W/ P.E.	W/O P.E.	W/ P.E.	W/O P.E.
Diagram Key	Class	Blower HP	Amps															
F4	RK or K ¹ or J	3.75	60 A	60 A	60 A	60 A	30 A	30 A	25 A	25 A	60 A	60 A	60 A	60 A	30 A	30 A	25 A	25 A
F10	CC	3.75	12 A	12 A	12 A	12 A	12 A	12 A	12 A	12 A	12 A	12 A	12 A	12 A	12 A	12 A	12 A	12 A
F30	CC	3.75	10 A	10 A	10 A	10 A	5 A	5 A	-	-	10 A	10 A	10 A	10 A	5 A	5 A	-	-
F31	CC	3.75	15 A	15 A	15 A	15 A	15 A	15 A	-	-	15 A	15 A	15 A	15 A	15 A	15 A	-	-
F57	CC	3.75	-	-	-	-	7.5 A	7.5 A	4 A	4 A	-	-	-	-	7.5 A	7.5 A	4 A	4 A
F61 ²	J	3.75	80 A	70 A	90 A	80 A	45 A	40 A	35 A	35 A	100 A	90 A	110 A	110 A	60 A	60 A	45 A	45 A
CB10 ³	-	3.75	80 A	70 A	90 A	80 A	45 A	40 A	35 A	35 A	100 A	90 A	110 A	110 A	60 A	60 A	45 A	45 A

¹ When SCCR is installed, F4 fuse is Class J.

² Fuses F61 are only used on units with SCCR installed.

³ Units using Circuit Breakers will use CB10 option.

TABLE 29

LCT 120 continued																		
Electric Heat Size			45 KW								60 KW							
Unit Voltage			208V - 3 Ph		240V - 3 Ph		460V - 3 Ph		575V - 3 Ph		208V - 3 Ph		240V - 3 Ph		460V - 3Ph		575V - 3 Ph	
Power Exhaust Option			W/ P.E.	W /O P.E.	W/ P.E.	W /O P.E.	W/ P.E.	W /O P.E.	W/ P.E.	W /O P.E.	W/ P.E.	W/O P.E.	W/ P.E.	W/O P.E.	W/ P.E.	W/O P.E.	W/ P.E.	W/O P.E.
Diagram Key	Class	Blower HP	Amps															
F4	RK or K ¹ or J	3.75	60 A	60 A	60 A	60 A	30 A	30 A	25 A	25 A	60 A	60 A	60 A	60 A	30 A	30 A	25 A	25 A
F10	CC	3.75	12 A	12 A	12 A	12 A	12 A	12 A	12 A	12 A	12 A	12 A	12 A	12 A	12 A	12 A	12 A	12 A
F30	CC	3.75	10 A	10 A	10 A	10 A	5 A	5 A	-	-	10 A	10 A	10 A	10 A	5 A	5 A	-	-
F31	CC	3.75	15 A	15 A	15 A	15 A	15 A	15 A	-	-	15 A	15 A	15 A	15 A	15 A	15 A	-	-
F57	CC	3.75	-	-	-	-	7.5 A	7.5 A	4 A	4 A	-	-	-	-	7.5 A	7.5 A	4 A	4 A
F61 ²	J	3.75	150 A	150 A	150 A	150 A	80 A	80 A	60 A	60 A	150 A	150 A	175 A	175 A	80 A	80 A	70 A	70 A
CB10 ³	-	3.75	150 A	150 A	150 A	150 A	80 A	80 A	60 A	60 A	150 A	150 A	175 A	175 A	80 A	80 A	70 A	70 A

¹ When SCCR is installed, F4 fuse is Class J.

² Fuses F61 are only used on units with SCCR installed.

³ Units using Circuit Breakers will use CB10 option.

TABLE 30

LCT 150																
Electric Heat Size			0 KW						15 KW							
Unit Voltage			208V/230V - 3 Ph		460V - 3Ph		575V - 3 Ph		208V - 3 Ph		240V - 3 Ph		460V - 3Ph		575V - 3 Ph	
Power Exhaust Option			W/ P.E.	W/O P.E.	W/ P.E.	W/O P.E.	W/ P.E.	W/O P.E.	W/ P.E.	W/O P.E.	W/ P.E.	W/O P.E.	W/ P.E.	W/O P.E.	W/ P.E.	W/O P.E.
Diagram Key	Class	Blower HP	Amps													
F4	RK or K ¹ or J	3.75	80 A	80 A	35 A	35 A	25 A	25 A	80 A	80 A	80 A	80 A	35 A	35 A	25 A	25 A
F10	CC	3.75	12 A	12 A	12 A	12 A	12 A	12 A	12 A	12 A	12 A	12 A	12 A	12 A	12 A	12 A
F30	CC	3.75	10 A	10 A	5 A	5 A	-	-	10 A	10 A	10 A	10 A	5 A	5 A	-	-
F31	CC	3.75	15 A	15 A	15 A	15 A	-	-	15 A	15 A	15 A	15 A	15 A	15 A	-	-
F57	CC	3.75	-	-	7.5 A	7.5 A	4 A	4 A	-	-	-	-	7.5 A	7.5 A	4 A	4 A
F61 ²	J	3.75	-	-	-	-	-	-	80 A	80 A	80 A	80 A	35 A	35 A	25 A	25 A
CB10 ³	-	3.75	80 A	80 A	35 A	35 A	25 A	25 A	80 A	80 A	80 A	80 A	35 A	35 A	25 A	25 A

¹ When SCCR is installed, F4 fuse is Class J.

² Fuses F61 are only used on units with SCCR installed.

³ Units using Circuit Breakers will use CB10 option.

TABLE 31

LCT 150 continued																		
Electric Heat Size			22.5 KW								30 KW							
Unit Voltage			208V - 3 Ph		240V - 3 Ph		460V - 3 Ph		575V - 3 Ph		208V - 3 Ph		240V - 3 Ph		460V - 3Ph		575V - 3 Ph	
Power Exhaust Option			W/ P.E.	W /O P.E.	W/ P.E.	W /O P.E.	W/ P.E.	W /O P.E.	W/ P.E.	W /O P.E.	W/ P.E.	W/O P.E.	W/ P.E.	W/O P.E.	W/ P.E.	W/O P.E.	W/ P.E.	W/O P.E.
Diagram Key	Class	Blower HP	Amps															
F4	RK or K ¹ or J	3.75	80 A	80 A	80 A	80 A	35 A	35 A	25 A	25 A	80 A	80 A	80 A	80 A	35 A	35 A	25 A	25 A
F10	CC	3.75	12 A	12 A	12 A	12 A	12 A	12 A	12 A	12 A	12 A	12 A	12 A	12 A	12 A	12 A	12 A	12 A
F30	CC	3.75	10 A	10 A	10 A	10 A	5 A	5 A	-	-	10 A	10 A	10 A	10 A	5 A	5 A	-	-
F31	CC	3.75	15 A	15 A	15 A	15 A	15 A	15 A	-	-	15 A	15 A	15 A	15 A	15 A	15 A	-	-
F57	CC	3.75	-	-	-	-	7.5 A	7.5 A	4 A	4 A	-	-	-	-	7.5 A	7.5 A	4 A	4 A
F61 ²	J	3.75	80 A	80 A	90 A	80 A	45 A	40 A	35 A	35 A	100 A	90 A	110 A	110 A	60 A	60 A	45 A	45 A
CB10 ³	-	3.75	80 A	80 A	90 A	80 A	45 A	40 A	35 A	35 A	100 A	90 A	110 A	110 A	60 A	60 A	45 A	45 A

¹ When SCCR is installed, F4 fuse is Class J.

² Fuses F61 are only used on units with SCCR installed.

³ Units using Circuit Breakers will use CB10 option.

TABLE 32

LCT 150 continued																		
Electric Heat Size			45 KW								60 KW							
Unit Voltage			208V - 3 Ph		240V - 3 Ph		460V - 3 Ph		575V - 3 Ph		208V - 3 Ph		240V - 3 Ph		460V - 3Ph		575V - 3 Ph	
Power Exhaust Option			W/ P.E.	W /O P.E.	W/ P.E.	W /O P.E.	W/ P.E.	W /O P.E.	W/ P.E.	W /O P.E.	W/ P.E.	W/O P.E.	W/ P.E.	W/O P.E.	W/ P.E.	W/O P.E.	W/ P.E.	W/O P.E.
Diagram Key	Class	Blower HP	Amps															
F4	RK or K ¹ or J	3.75	80 A	80 A	80 A	80 A	35 A	35 A	25 A	25 A	80 A	80 A	80 A	80 A	35 A	35 A	25 A	25 A
F10	CC	3.75	12 A	12 A	12 A	12 A	12 A	12 A	12 A	12 A	12 A	12 A	12 A	12 A	12 A	12 A	12 A	12 A
F30	CC	3.75	10 A	10 A	10 A	10 A	5 A	5 A	-	-	10 A	10 A	10 A	10 A	5 A	5 A	-	-
F31	CC	3.75	15 A	15 A	15 A	15 A	15 A	15 A	-	-	15 A	15 A	15 A	15 A	15 A	15 A	-	-
F57	CC	3.75	-	-	-	-	7.5 A	7.5 A	4 A	4 A	-	-	-	-	7.5 A	7.5 A	4 A	4 A
F61 ²	J	3.75	150 A	150 A	150 A	150 A	80 A	80 A	60 A	60 A	150 A	150 A	175 A	175 A	80 A	80 A	70 A	70 A
CB10 ³	-	3.75	150 A	150 A	150 A	150 A	80 A	80 A	60 A	60 A	150 A	150 A	175 A	175 A	80 A	80 A	70 A	70 A

¹ When SCCR is installed, F4 fuse is Class J.

² Fuses F61 are only used on units with SCCR installed.

³ Units using Circuit Breakers will use CB10 option.

Field-Installed Accessories

When field-installing the following accessories, refer to the latest online installation instruction.

TABLE 33

Accessory	Instruction #
Economizer	507227-XX
Outdoor Air Damper	506340-XX
Electric Heat	507250-XX
Smoke Detector	506437-XX

Factory Unit Controller Settings

Use the mobile service app to adjust parameters; menu paths are shown in each table. Refer to the Unit Controller manual provided with each unit.

TABLE 34 through TABLE 36 show control options. When applicable, record field-specific information on the label located inside the compressor access panel.

When field installing optional kits and accessories, the Unit Controller must be configured to identify the option before it will function. Refer to FIGURE 46 and FIGURE 47 to determine whether the Unit Controller configuration I.D. must change. To configure the option, use RTU MENU > SETUP > INSTALL menu path. Press NEXT until CONFIGURATION ID 1 or 2 appears depending on the option installed. Change the appropriate character in the configuration I.D. For example, when an economizer is installed using a single enthalpy sensor, change configuration I.D. 1, the second character, to “S”.

TABLE 34
581024-01

Units With Hot Gas Reheat			
RTU Menu > Settings “RTU Options” > Dehumidifier			
Parameter	Factory Setting	Field Setting	Description
105	7		Factory Setting 7: Reheat mode enabled without prerequisite conditions. Controlled by RH sensor (A91) connected to input A55_P298_5 and set point set at parameter 106 (default 60%).

TABLE 35
581037-01

Units With LonTalk Settings
Use menu RTU Menu > Network Integration > Network Setup Wizard > Set “LONTALK”

TABLE 36
581038-01

Units With BACnet Settings
RTU Menu > Network Integration > Network Setup Wizard > BACnet MS/TP > See BACnet MAC Address
BACNET MAC ADDRESS:
Units With Room Sensor, CPC/LSE Gateway Settings
RTU Menu > Network Integration > Network Setup Wizard > SBUS > Set SBUS Address
LCONN ADDRESS:

Configuration ID 1

1 2 3 4 5 6 7 8

Humiditrol [1]

Not Installed = **N**
 Humiditrol Installed = **H**
 Unconfigured = **U**

Economizer [2]

Not Installed = **N**
 Motorized Outdoor Air
 Damper Only = **M**
 Economizer - Temperature = **T**
 Economizer Global = **G**
 Economizer - Single
 Enthalpy = **S**
 Economizer - Dual Enthalpy = **D**
 Unconfigured = **U**

Power Exhaust [3]

Not Installed = **N**
 Single-Stage = **S**
 Dual-Stage = **D**
 Unconfigured = **U**

Power Exhaust Control 4]

Not Installed = **N**
 Damper Position = **A**
 A34 Pressure Sensor = **C**

[8] Outdoor Air Velocity Control

N = Not applicable (for future use)
L = Outdoor Air Control Installed with A24 Sensor set for low range.
M = Outdoor Air Control Installed with A24 Sensor set for medium range.
H = Outdoor Air Control Installed with A24 Sensor set for high range.

[7] System Blower Sub-type

N = Not Applicable.
L = ECM Direct Drive Blower with PWM control.
H = EBM Direct Drive Blower with Modbus control.
5 = EBM Direct Drive 500mm blower with Modbus control.
B = Mitsubishi Belt Drive blower with Modbus control.
D = Delta Belt Drive blower with Modbus control.

[6] Blower Variable Frequency Drive Bypass

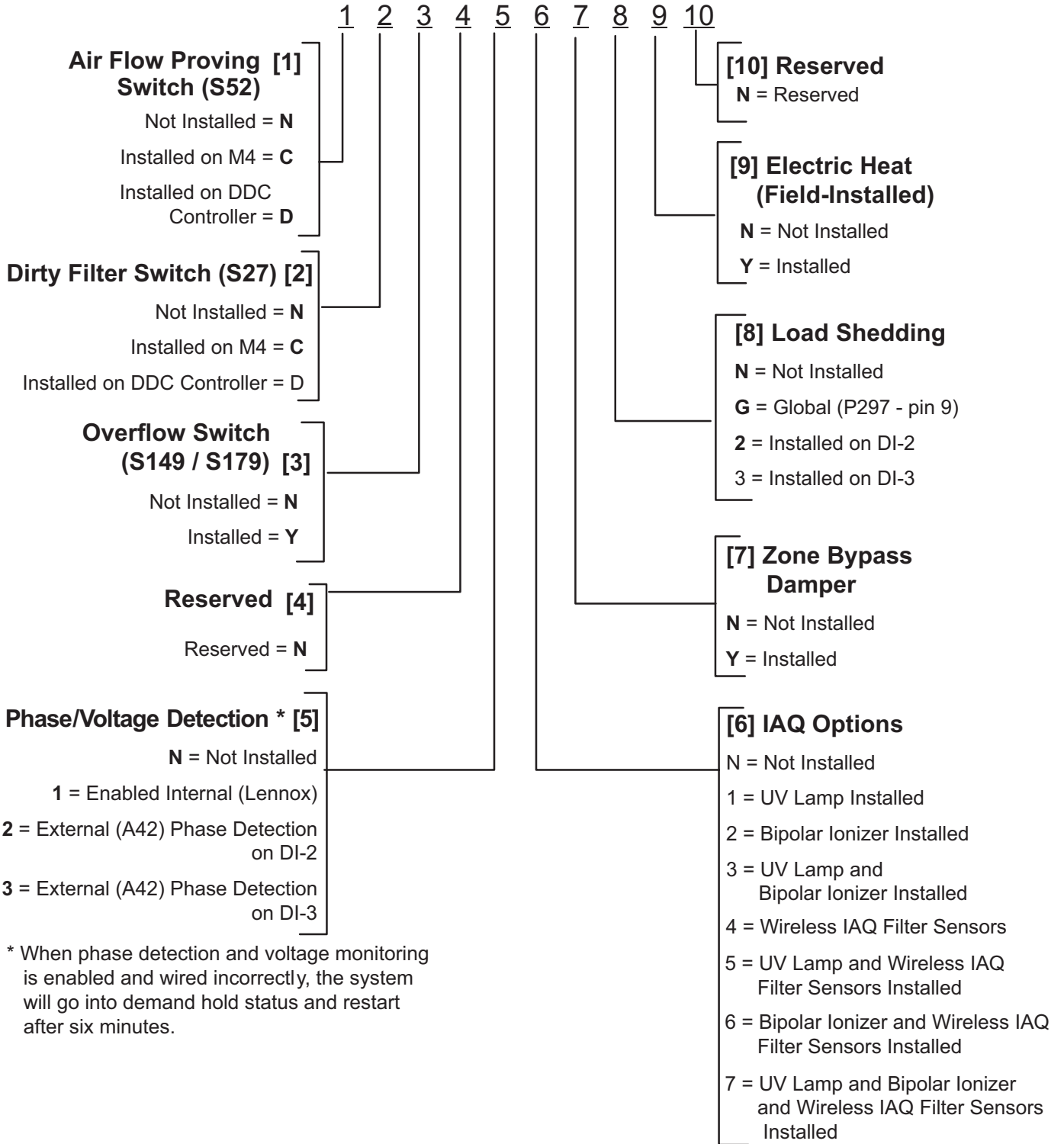
N = Not Installed
A = Automatic Bypass
M = Manual Bypass
U = Electronic Bypass Field Unconfigured

[5] Network Module

N = Not Installed
L = LonTalk (Lennox)

FIGURE 46

Configuration ID 2



* When phase detection and voltage monitoring is enabled and wired incorrectly, the system will go into demand hold status and restart after six minutes.

FIGURE 47

Decommissioning

Before carrying out this procedure, it is essential that the technician is completely familiar with the equipment and all its detail. It is recommended good practice that all refrigerants are recovered safely.

Prior to the task being carried out, an oil and refrigerant sample shall be taken in case analysis is required prior to re-use of recovered refrigerant. It is essential that electrical power is available before starting decommissioning.

- a) Become familiar with the equipment and its operation.
- b) Isolate system electrically.
- c) Before attempting the procedure, ensure that:
 - mechanical handling equipment is available, if required, for handling refrigerant cylinders;
 - all personal protective equipment is available and being used correctly;
 - the recovery process is supervised at all times by a competent person;
 - recovery equipment and cylinders conform to the appropriate standards.
- d) Pump down refrigerant system, if possible.
- e) If a vacuum is not possible, make a manifold so that refrigerant can be removed from various parts of the system.
- f) Make sure that cylinder is situated on the scales before recovery takes place.
- g) Start the recovery machine and operate in accordance with instructions.
- h) Do not overfill cylinders (no more than 80% volume liquid charge).
- i) Do not exceed the maximum working pressure of the cylinder, even temporarily.
- j) When the cylinders have been filled correctly and the process completed, make sure that the cylinders and the equipment are removed from site promptly and all isolation valves on the equipment are closed off.
- k) Recovered refrigerant shall not be charged into another REFRIGERATING SYSTEM unless it has been cleaned and checked.



IMPORTANT

Equipment shall be labelled stating that it has been decommissioned and emptied of refrigerant. The label shall be signed and dated. Ensure that there are labels on the equipment that state the flammability of the refrigerant used.

START-UP REPORT

Job Name: _____
 Store No. _____ Start-Up Date: _____
 Address: _____
 City: _____ State: _____
 Start-Up Contractor: _____
 Technician: _____
 Model No.: _____
 Serial No.: _____
 RTU No.: _____ Catalog No.: _____

Inspections and Checks			
Damage?	Yes	No	R454B <input type="checkbox"/>
If yes, reported to: _____			
Verify factory and field-installed accessories.			
Check electrical connections. Tighten if necessary.			
Supply voltage: L1-L2 _____ L1-L3 _____ L2-L3 _____			
If unit contains a 208-230/240 volt transformer:			
Check primary transformer tap <input type="checkbox"/>			
Transformer secondary voltage: _____			

Cooling Checks												
Compressor Rotation <input type="checkbox"/> Ambient Temp. _____ Return Air Temp. _____ Supply Air Temp. _____												
	Compressor Amps			Compressor Volts			Pressures		Condenser Fan Amps			CC Heater Amps
	L1	L2	L3	L1-L2	L1-L3	L2-L3	Disch.	Suct.	L1	L2	L3	L1
1												
2												
3												
4												

Blower Checks			
Pulley/Belt Alignment <input type="checkbox"/>	Blower Rotation <input type="checkbox"/>		
Set Screws Tight <input type="checkbox"/>	Belt Tension <input type="checkbox"/>		
Nameplate Amps: _____		Volts: _____	
Motor	Amps	Volts	
	L1 _____	L1-L2 _____	
	L2 _____	L1-L3 _____	
	L3 _____	L2-L3 _____	

Heating Checks - Electric							
Return Air Temp.: _____ Supply Air Temp.: _____							
Limits Operate: <input type="checkbox"/>							
	Amps						
	L1	L2	L3		L1	L2	L3
1				10			
2				11			
3				12			
4				13			
5				14			
6				15			
7				16			
8				17			
9				18			

Heating Checks - Gas		
Fuel type: Nat. <input type="checkbox"/> LP <input type="checkbox"/> Inlet Pressure: _____ in. w.c.		
Return Air Temp.: _____ Supply Air Temp.: _____		
Altitude: _____ Primary Limits Operate: <input type="checkbox"/>		
CO ₂ %: _____		
Gas Valve	Manifold Pressure	
	Low Fire	High Fire
GV1		
GV2		

Control Type

Accessory Checks	
Power Exhaust Amps	
1 _____	2 _____ None <input type="checkbox"/>
Economizer Operation	
Min. Pos. <input type="checkbox"/>	Motor travel full open/close <input type="checkbox"/>