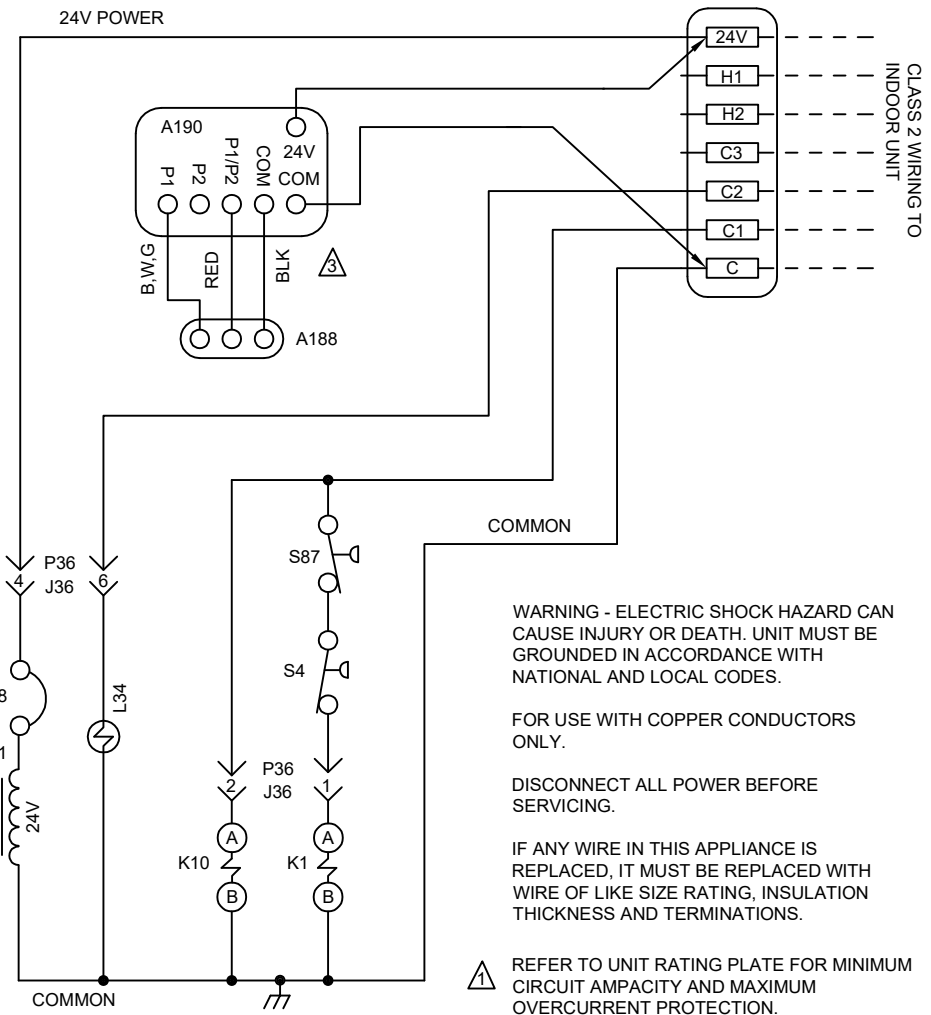


24V POWER

TB14



CLASS 2 WIRING TO INDOOR UNIT

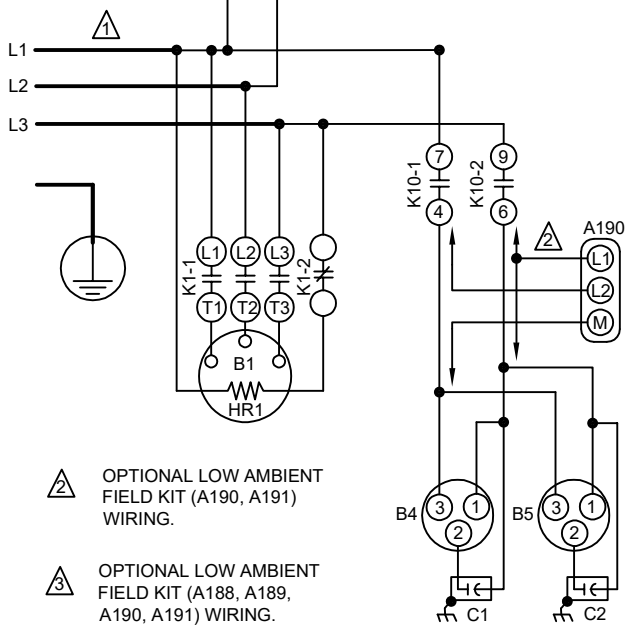
WARNING - ELECTRIC SHOCK HAZARD CAN CAUSE INJURY OR DEATH. UNIT MUST BE GROUNDED IN ACCORDANCE WITH NATIONAL AND LOCAL CODES.

FOR USE WITH COPPER CONDUCTORS ONLY.

DISCONNECT ALL POWER BEFORE SERVICING.

IF ANY WIRE IN THIS APPLIANCE IS REPLACED, IT MUST BE REPLACED WITH WIRE OF LIKE SIZE RATING, INSULATION THICKNESS AND TERMINATIONS.

⚠ REFER TO UNIT RATING PLATE FOR MINIMUM CIRCUIT AMPACITY AND MAXIMUM OVERCURRENT PROTECTION.



⚠ OPTIONAL LOW AMBIENT FIELD KIT (A190, A191) WIRING.

⚠ OPTIONAL LOW AMBIENT FIELD KIT (A188, A189, A190, A191) WIRING.

| KEY      | DESCRIPTION                     |
|----------|---------------------------------|
|          | COMPONENT                       |
| A188     | TRANSDUCER, COMPRESSOR 1        |
| A190     | CONTROL, HEAD PRESSURE          |
| B1       | COMPRESSOR 1                    |
| B4       | MOTOR-OUTDOOR FAN 1             |
| B5       | MOTOR-OUTDOOR FAN 2             |
| C1       | CAPACITOR-OUTDOOR FAN 1         |
| C2       | CAPACITOR-OUTDOOR FAN 2         |
| CB8      | CIRCUIT BREAKER-TRANS T1        |
| HR1      | HEATER-COMPRESSOR 1             |
| J36      | JACK-TEST COOL                  |
| K1-1,-2  | CONTACTOR-COMPRESSOR 1          |
| K10-1,-2 | RELAY-OUTDOOR FAN 1             |
| L34      | SOLENOID, TWO STAGE, COMP. 1    |
| P36      | PLUG-TEST COOL                  |
| S4       | SWITCH-LIMIT, HI-PRESS. COMP. 1 |
| S87      | SWITCH-LOW PRESS. COMP. 1       |
| T1       | TRANSFORMER-CONTROL             |
| TB14     | TERMINAL STRIP-CLASS 2 VOLTAGE  |

— LINE VOLTAGE FIELD INSTALLED  
 — DENOTES OPTIONAL COMPONENT CONNECTIONS  
 - - - CLASS 2 FIELD WIRING

|                                    |                |        |
|------------------------------------|----------------|--------|
| 2024/07                            | WIRING DIAGRAM | 07/24  |
|                                    | 538294-02      |        |
| DUAL SPEED COMPRESSOR              |                |        |
| ELITE AIR CONDITIONERS 120 - G,J,Y |                |        |
| SECTION A 2                        |                | REV. 0 |
| Supersedes                         | New Form No.   |        |
| 538294-01                          | 538294-02      |        |