



537992-02

01 HIGH VOLTAGE POWER CONNECTIONS



02 FIELD PROVIDED POWER WIRING. MAKE FIELD POWER CONNECTIONS IN POWER ENTRY BOX.



03 EQUIPMENT GROUND



04 LOW VOLTAGE THERMOSTAT CONNECTIONS



05 SET THERMOSTAT HEAT ANTICIPATION AS FOLLOWS
HONEYWELL VALVE: .7
WHITE ROGERS VALVE: .5

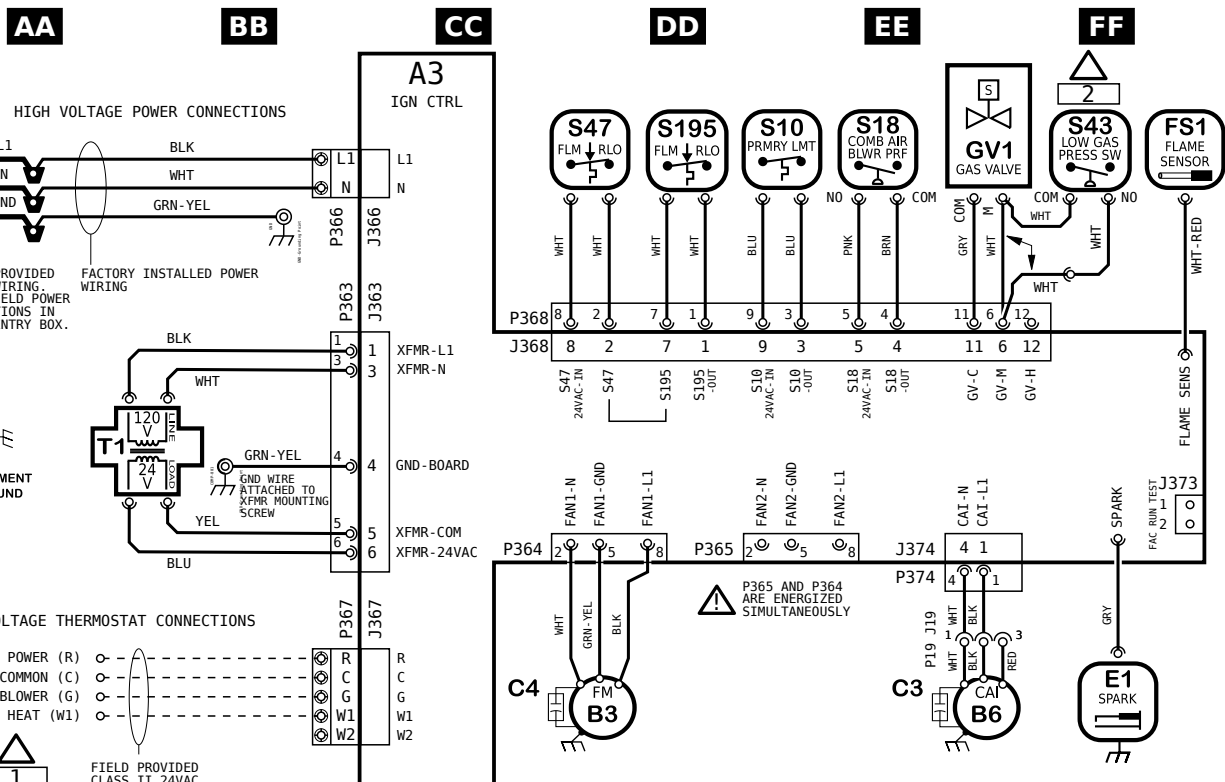
WARNING
DISCONNECT ALL POWER BEFORE SERVICING. ELECTRIC SHOCK HAZARD. CAN CAUSE INJURY OR DEATH. UNIT MUST BE GROUNDED IN ACCORDANCE WITH NATIONAL AND LOCAL CODES.

FOR USE WITH COPPER CONDUCTORS ONLY. REFER TO UNIT RATING PLATE FOR MINIMUM CIRCUIT AMPACITY AND MAXIMUM OVERCURRENT PROTECTION SIZE.

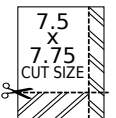
IF ANY WIRE IN THIS APPLIANCE IS REPLACED, IT MUST BE REPLACED WITH WIRE OF LIKE SIZE, RATING AND INSULATION THICKNESS.

NOTES	
MAXIMUM LOAD NOT TO EXCEED 20VA AT 24VAC, CLASS 2.	1
S43 MAY BE FIELD OR FACTORY INSTALLED ON LP GAS UNITS ONLY.	2

Model:	LF25 Unit Heater; LS25 Separated Combustion Unit Heater
Heat Input:	030k-105k BTUH
Voltage:	120/60/1
Supersedes:	537992-01
Form No:	537992-02
Rev:	1.0



KEY LIST		
LOCATION	COMPONENT TAG	COMPONENT DESCRIPTION
CONTROL		
CC01	A3	IGN CTRL
POWER		
BB03	T1	TRANSFORMER, CONTROL
INPUT		
FF01	FS1	FLAME SENSOR
DD01	S10	PRMRY LMT
EE01	S18	COMB AIR BLWR PRF
DD01	S47	FLM RLO
DD01	S195	FLM RLO
OUTPUT		
DD04	B3	FM
EE04	B6	CAI
EE04	C3	-
DD04	C4	-
FF04	E1	SPARK
FF01	GV1	GAS VALVE
FF01	S43	LOW GAS PRESS SW



REV	EC NO.	DATE	BY	APVD	REVISION NOTE
---	CN-008216E	06/05/2020	JDH25	EMP	ORIGINATED AT PD&R CARROLLTON, TX
001	CN-009314E	04/30/2021	JDH25	EMP	CORRECTED PIN DESCRIPTION, J373 WAS P373