



SUBMITTAL DATA – WALL-MOUNTED MCB018S4S-1P - MWCB018S4-2P SINGLE ZONE MINI-SPLIT AIR CONDITIONER

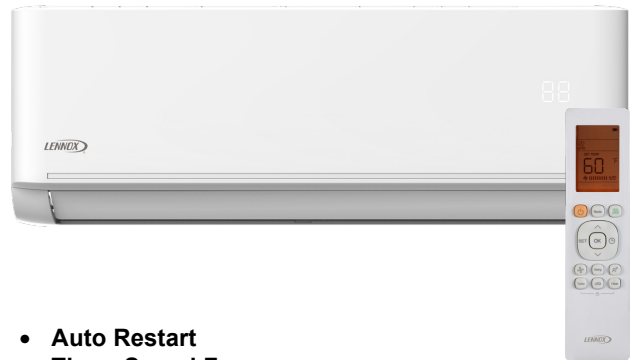
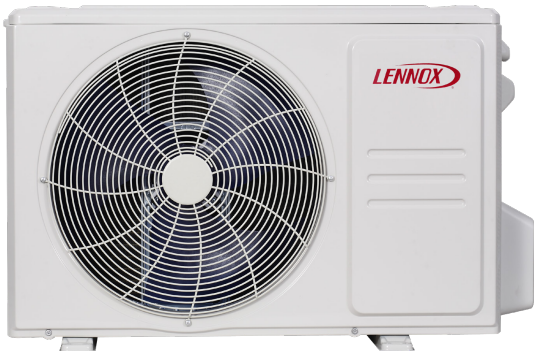
Job: _____
 Location: _____
 Schedule No.: _____
 System Designation: _____

Engineer: _____
 Architect: _____
 Date: _____
 For: Reference Approval Review Construction

FEATURES

Outdoor Unit: MCB018S4S-1P

Indoor Unit: MWCB018S4-2P



- Cooling Only System
- DC Inverter Control
- Compressor Overcurrent Protection

- Auto Restart
- Three Speed Fan
- Flare Connections
- LED Readout
- Multi-Refrigerant Outlet
- Wireless Remote Included

PIPING

Line Set and Elevation Guidelines

Maximum Line Set Length ft. (m)	98 (30)
Maximum Elevation - Outdoor Unit Below/Above Indoor Unit ft. (m)	66 (20)
Liquid Line Set Diameter (in.)	1/4
Gas Line Set Diameter (in.)	1/2
Pre-Charged (ft.)	25
Additional Charge Per Ft. (oz.)	0.16

PRODUCT WARRANTY

Compressor – Five year limited warranty
 All other covered components - Five year limited warranty

OPTIONAL ACCESSORIES

Non-Programmable Controller (M0STAT61Q-1)
 Non-Programmable Controller (M0STAT120L-1)
 Programmable Controller (M0STAT120N-1)
 Hail Guard Set (M9GARD20Q-1/24M82)



NOTE – Due to Lennox' ongoing commitment to quality, Specifications, Ratings, and Dimensions are subject to change without notice and without incurring liability. Improper installation, adjustment, alteration, service or maintenance can cause property damage or personal injury. Installation and service must be performed by a qualified installer and servicing agency.



SUBMITTAL DATA – WALL-MOUNTED MCB018S4S-1P - MWCB018S4-2P

SINGLE ZONE MINI-SPLIT AIR CONDITIONER

OUTDOOR SPECIFICATIONS

PERFORMANCE

Cooling Capacity (Btu/h) ¹	17,400
EER2	11.25
SEER2	21
Outdoor Fan Total Air Volume (CFM)	1,235
Ambient Temperature Operating Range	
Cooling	5°F - 122°F

ELECTRICAL DATA

Power Supply (V/Hz/Φ)	208-230/60/1
Minimum Circuit Ampacity (A)	16
Maximum Overcurrent Protection (A)	20
Outdoor Fan Motor RLA (A)	0.4
No. of Compressors	1

GENERAL DATA

Connection Ratio (%)	100%
Max. # of Indoor Units	1 unit
Sound Data (dBA) - Cooling	54.5
Refrigerant type	R-410A
Factory refrigerant charge	2 lbs. 0 oz.

DIMENSIONS

Unit Dimensions (in)	Height	21-7/8
	Width	30-5/8
	Depth	11-3/4
Shipping Weight (lb)		67
Net Weight (lb)		62

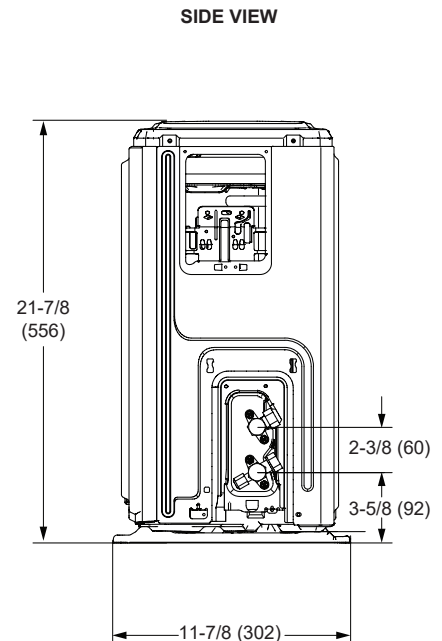
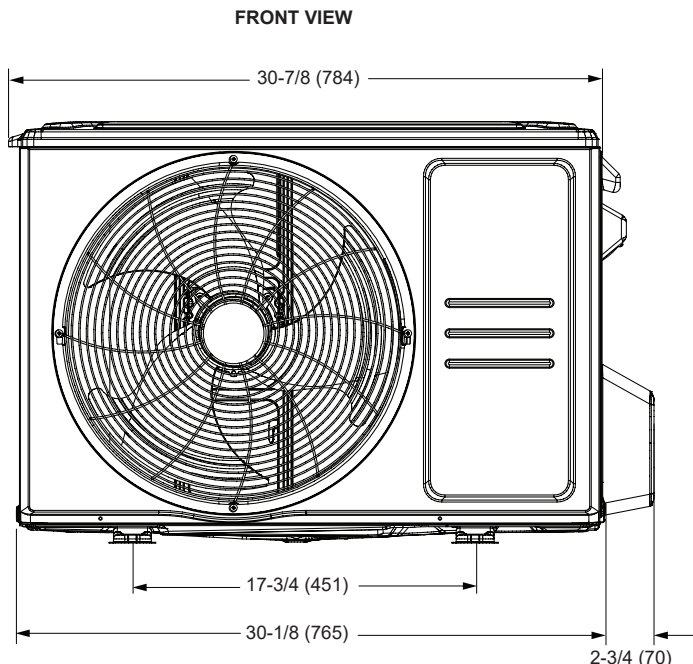
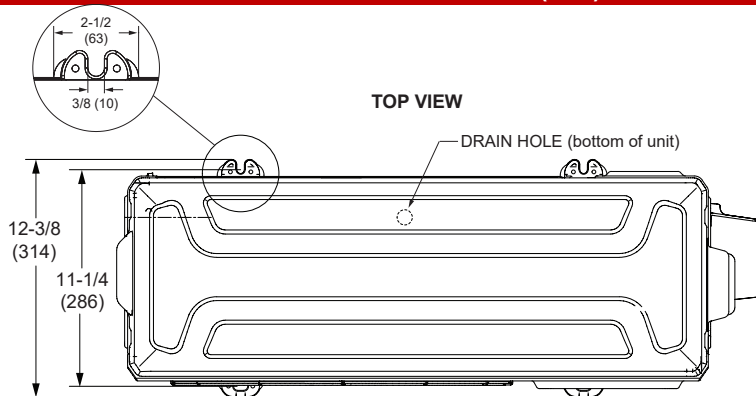
NOTES

1. Cooling and Heating Capacity data is rated at the following conditions:

Cooling: 80°FDB / 67°FWB Indoor, 95°FDB Outdoor

Heating: 70°FDB Indoor, 47°FDB / 43°FWB Outdoor

OUTDOOR DIMENSIONAL DRAWINGS - INCHES (MM)



NOTE – Due to Lennox' ongoing commitment to quality, Specifications, Ratings, and Dimensions are subject to change without notice and without incurring liability. Improper installation, adjustment, alteration, service or maintenance can cause property damage or personal injury. Installation and service must be performed by a qualified installer and servicing agency.
496047 (202312) ©2023 Lennox Industries, Inc.



SUBMITTAL DATA – WALL-MOUNTED MCB018S4S-1P - MWCB018S4-2P SINGLE ZONE MINI-SPLIT AIR CONDITIONER

INDOOR SPECIFICATIONS

PERFORMANCE

Airflow (CFM)	High	471
	Medium	353
	Low	306
Sound Pressure (dBA)	High	46
	Medium	38.5
	Low	31.5

ELECTRICAL DATA

Power Supply (V/Hz/Φ)	Supplied by ODU
Rated load amps (RLA)	6.8
Power Output (W)	30

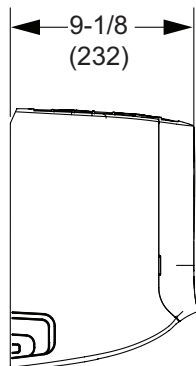
DIMENSIONS

Unit Dimensions (in)	Height	12-3/4
	Width	38-1/4
	Depth	9-1/8
Unit Net/Shipping Weight (lb)		25/32

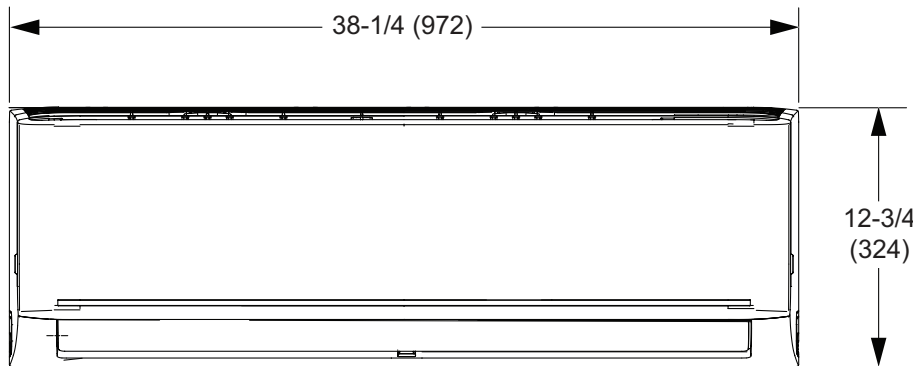
PIPING

Liquid/Gas O.D. Flare (in.)	1/4 , 1/2
Drain Connection O.D. (in.)	1

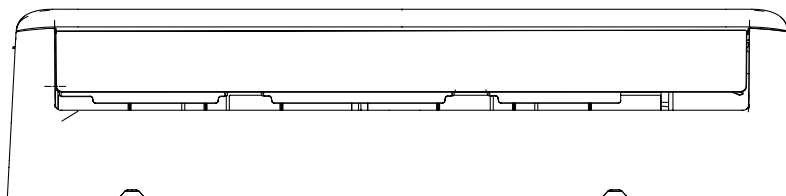
INDOOR DIMENSIONAL DRAWINGS - INCHES (MM)



SIDE VIEW



FRONT VIEW



BOTTOM VIEW

NOTE – Due to Lennox' ongoing commitment to quality, Specifications, Ratings, and Dimensions are subject to change without notice and without incurring liability. Improper installation, adjustment, alteration, service or maintenance can cause property damage or personal injury. Installation and service must be performed by a qualified installer and servicing agency.