



538555-01

AA

BB

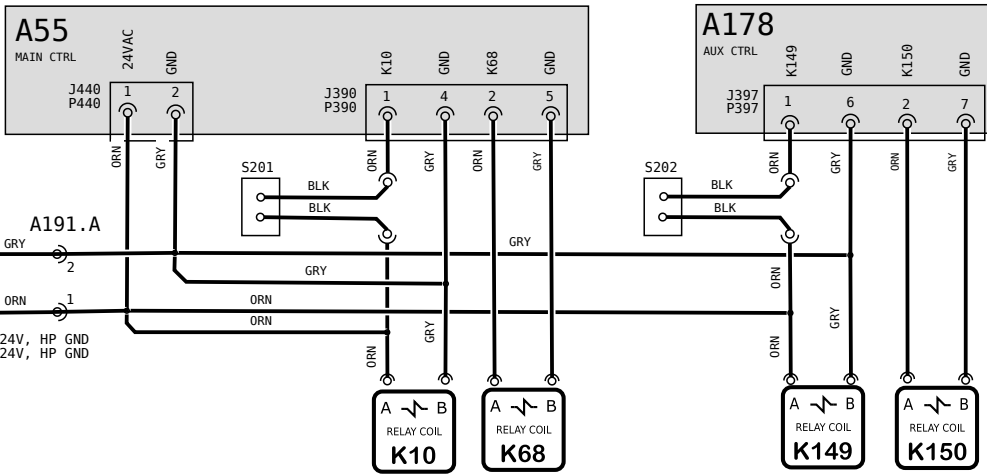
CC

DD

EE

FF

01



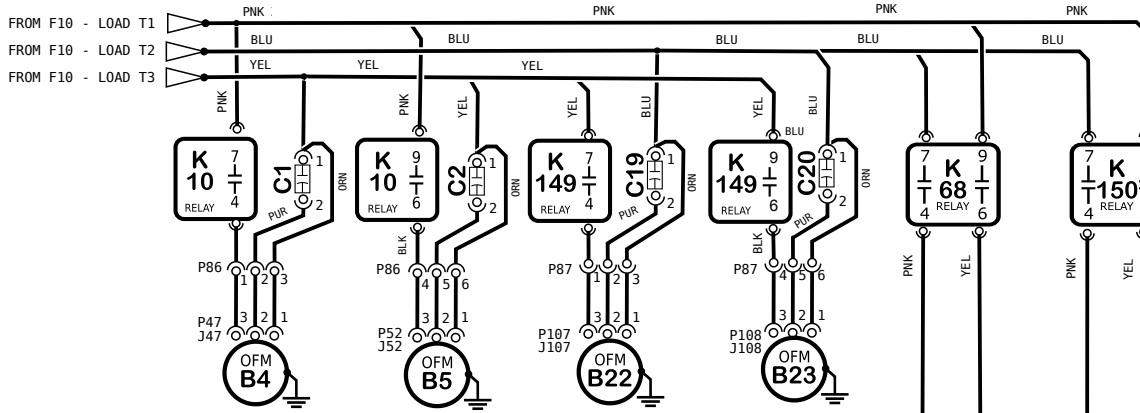
02

A191.A
W033 GRY 2
W032 ORN 1

TO A190-HP 24V, HP GND
TO A191-HP 24V, HP GND
LOC BB07

03

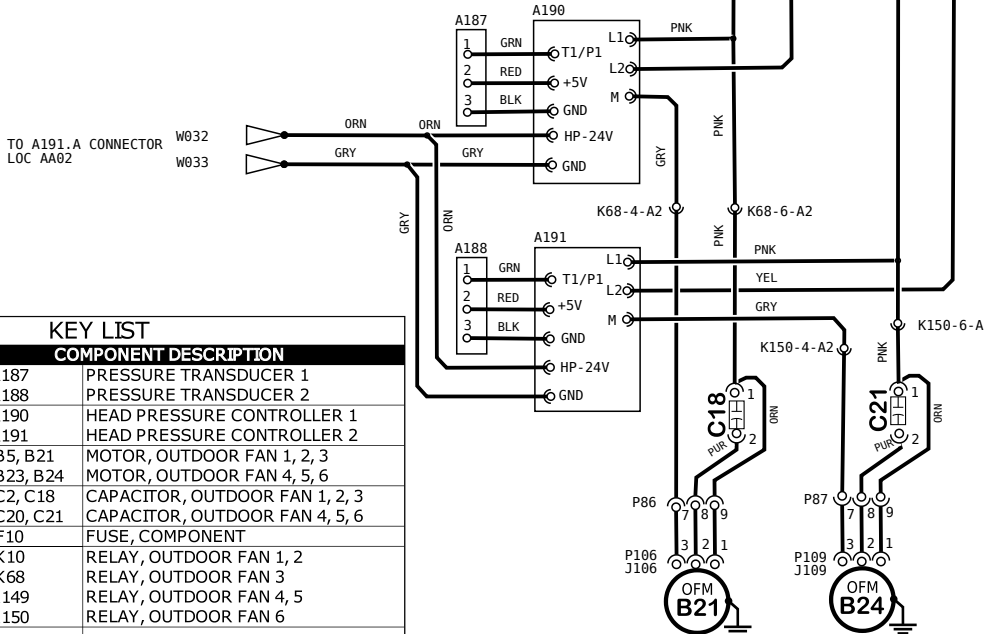
04



05

06

07



08

KEY LIST	
LOCATION	COMPONENT DESCRIPTION
DD06	A187 PRESSURE TRANSDUCER 1
DD06	A188 PRESSURE TRANSDUCER 2
DD06	A190 HEAD PRESSURE CONTROLLER 1
DD07	A191 HEAD PRESSURE CONTROLLER 2
BB/CC06/EE09	B4, B5, B21 MOTOR, OUTDOOR FAN 1, 2, 3
DD/EE06/FF09	B22, B23, B24 MOTOR, OUTDOOR FAN 4, 5, 6
BB/CC05/EE08	C1, C2, C18 CAPACITOR, OUTDOOR FAN 1, 2, 3
DD/EE05/FF08	C19, C20, C21 CAPACITOR, OUTDOOR FAN 4, 5, 6
AA04	F10 FUSE, COMPONENT
CC03/BB/CC05	K10 RELAY, OUTDOOR FAN 1, 2
DD03/EE05	K68 RELAY, OUTDOOR FAN 3
EE03/CC/DD05	K149 RELAY, OUTDOOR FAN 4, 5
FF03/FF05	K150 RELAY, OUTDOOR FAN 6
BB02	S201 TEMPERATURE SWITCH 1, OUTDOOR
BB04	S202 TEMPERATURE SWITCH 2, OUTDOOR

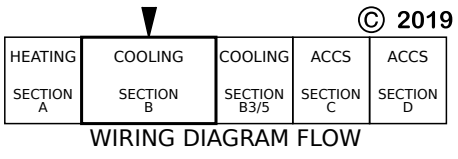
09

10

Model: LCX LGX LHX 300S - G J Y-VOLT
LOW AMBIENT KIT

Voltage: ALL VOLTAGES

Supersedes: N/A Form No: 538555-01 Rev: 0



© 2019

7x10
CUT
SIZE

REV	EC NO.	DATE	BY	APVD	REVISION NOTE
---	CN-012404A	05-10-2024	DEV	JAL21	ORIGINATED AT PD&R CARROLLTON, TX

AA

BB

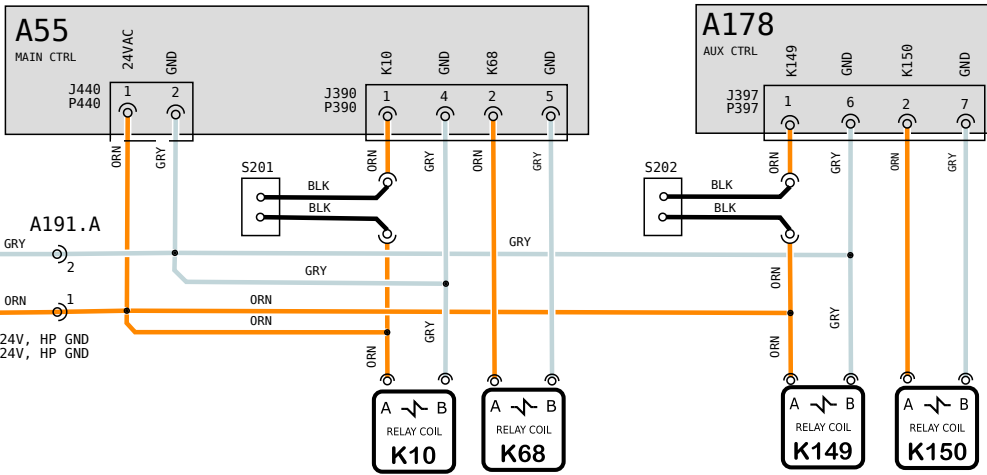
CC

DD

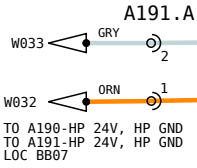
EE

FF

01



02



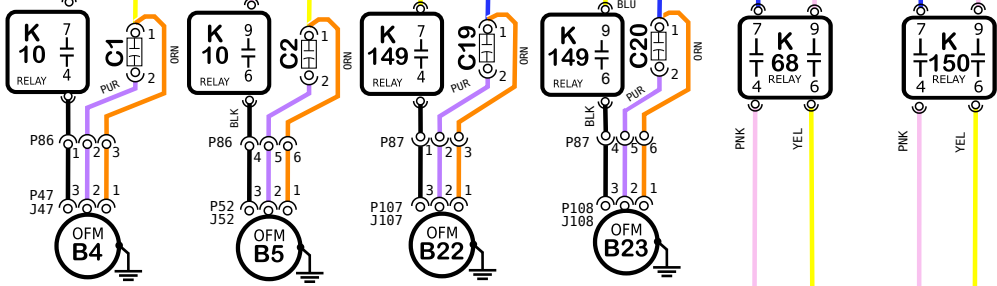
03

TO A190-HP 24V, HP GND
TO A191-HP 24V, HP GND
LOC BB07

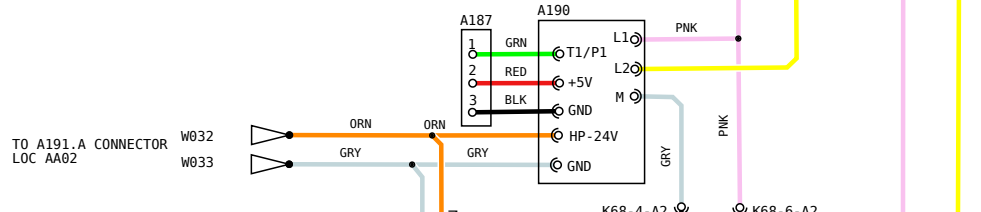
04



05



06



07

TO A191.A CONNECTOR W032 W033
LOC AA02

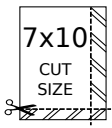
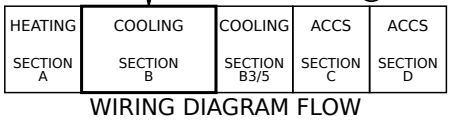
08

KEY LIST	
LOCATION	COMPONENT DESCRIPTION
DD06	A187 PRESSURE TRANSDUCER 1
DD07	A188 PRESSURE TRANSDUCER 2
DD06	A190 HEAD PRESSURE CONTROLLER 1
DD07	A191 HEAD PRESSURE CONTROLLER 2
BB/CC06/EE09	B4, B5, B21 MOTOR, OUTDOOR FAN 1, 2, 3
DD/EE06/FF09	B22, B23, B24 MOTOR, OUTDOOR FAN 4, 5, 6
BB/CC05/EE08	C1, C2, C18 CAPACITOR, OUTDOOR FAN 1, 2, 3
DD/EE05/FF08	C19, C20, C21 CAPACITOR, OUTDOOR FAN 4, 5, 6
AA04	F10 FUSE, COMPONENT
CC03/BB/CC05	K10 RELAY, OUTDOOR FAN 1, 2
DD03/EE05	K68 RELAY, OUTDOOR FAN 3
EE03/CC/DD05	K149 RELAY, OUTDOOR FAN 4, 5
FF03/FF05	K150 RELAY, OUTDOOR FAN 6
BB02	S201 TEMPERATURE SWITCH 1, OUTDOOR
BB04	S202 TEMPERATURE SWITCH 2, OUTDOOR

09

Model: LCX LGX LHX 300S - G J Y-VOLT
LOW AMBIENT KIT
Voltage: ALL VOLTAGES
Supersedes: N/A Form No: 538555-01 Rev: 0

10



REV	EC NO.	DATE	BY	APVD	REVISION NOTE
---	CN-012404A	05-10-2024	DEV	JAL21	ORIGINATED AT PD&R CARROLLTON, TX