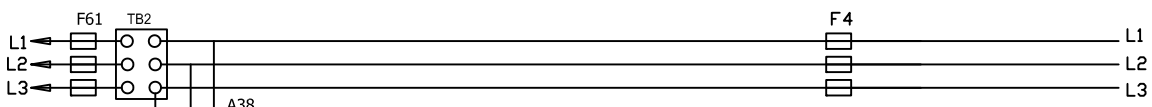


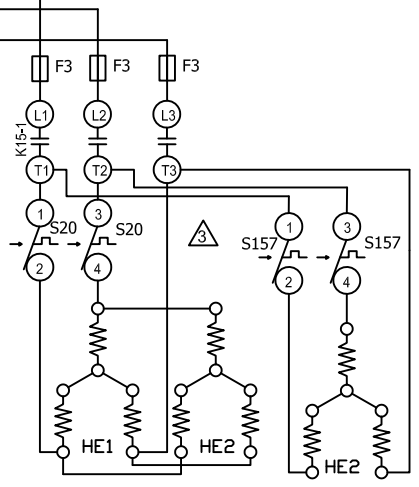
J/P	DESCRIPTION
2	ELECTRIC HEAT
297	PLUG, THERMOSTAT INTERFACE
393	PLUG, ELECTRIC HEAT CONTROL

KEY	DESCRIPTION
A38	CONTROL, SCR ELECTRIC HEAT
A55	PANEL, MAIN
A104	THERMOSTAT, SUPPLY AIR
F3	FUSE, ELECTRIC HEAT 1
F4	FUSE, UNIT
F61	FUSE, UNIT - SCCR
HE1	ELEMENT, ELECTRIC HEAT 1
HE2	ELEMENT, ELECTRIC HEAT 2
K15.-1	CONTACTOR, ELECTRIC HEAT 1
K161,-1	RELAY, SCR INTERRUPT
K162,-1	RELAY, SCR HIGH OUTPUT
K211-1	RELAY, LOCKOUT
RT20	SENSOR, DISCHARGE SCR
S15	SWITCH, LIMIT PRIMARY ELECTRIC HEAT
S20	SWITCH, LIMIT SECONDARY ELEC. HEAT 1
S26	THERMOSTAT, AMBIENT
S157	SWITCH, LIMIT SECONDARY ELEC. HEAT 2
TB2	TERMINAL STRIP, UNIT
TB36	TERMINAL STRIP, SCR



KW	HE1	HE2	SCR AMPS	
			480V	600V
15	15		30	30
30	15	15	40	30
7.5	7.5		15	15
22.5	15	7.5	30	30

DESIGNATION	VOLTAGE
Y	208-230/60/3
G	460/60/3
J	575/60/3
M	380-420/50/3



- ⚠ F61 USED ON SCCR UNITS
- ⚠ K211 USED WITH HUMIDITROL CONTROL
- ⚠ S20, S157 LIMITS ARE RESETTABLE
- ⚠ REMOVE JUMPER PLUG WHEN FIELD INSTALLING ELECTRIC HEAT
- ← DENOTES OPTIONAL COMPONENTS

2020/10		WIRING DIAGRAM	10/20
		538119-01	
HEATING - SCR			
ELECTRIC HEAT SCR CONTROL E1EH - 7.5, 15, 22.5, 30 - G, J			
SECTION A			REV. 0
Supersedes		New Form No. 538119-01	