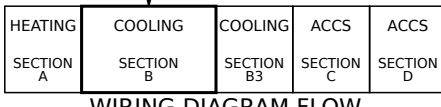


LOCATION	COMPONENT DESCRIPTION
AA02	A55 CONTROL BOARD, MAIN
EE01, BB08	A192 INVERTER, COMPRESSOR 1
CC08	B1 COMPRESSOR 1
HH06	B3 MOTOR, BLOWER
DD06, GG01	B4 MOTOR, OUTDOOR FAN 1
HH07	B10 MOTOR, EXHAUST FAN 1
HH06	C6 CAPACITOR, EXHAUST FAN 1
FF06	F10 FUSE, SCCR RELAY
FF04, 05	F27 FUSE, T4 TRANSFORMER PRIMARY
CC05	F57 FUSE, TRANSFORMER T5
AA07	FL1 FILTER BOARD

LOCATION	COMPONENT DESCRIPTION
CC08	HR1 HEATER, COMPRESSOR 1
BB04, 05, 06	K1 CONTACTOR, COMPRESSOR 1
GG06, HH06	K65 RELAY, EXHAUST FAN 1
BB04, 05	K191 RELAY, CRANKCASE HEATER 1
FF04	L14 VALVE, SOLENOID, REHEAT COIL 1
HH02	PT6 PRESSURE TRANSDUCER, EBM MOTOR
EE01	RT6 SENSOR, A55 DISCHARGE (IMC)
CC01	RT17 SENSOR, OUTSIDE AIR TEMP
GG02	RT42 SENSOR, SUCTION TEMP., COMP 1
CC02	RT44 SENSOR, LIQUID TEMP., COMP 1
EE02	RT46 SENSOR, SATURATION SUCT TEMP., COMP 1
CC01	RT48 SENSOR, SATURATION LIQUID TEMP., COMP 1
AA01	S4 LIMIT, HI PRESS. SWITCH, COMPRESSOR 1
AA01	S5 LIMIT, HI TEMP. SWITCH, COMPRESSOR 1
AA02	S87 SWITCH, LOW PRESS., COMP. 1
DD04	T1 TRANSFORMER, CONTROL
GG05	T4 TRANSFORMER, BLOWER MOTOR
DD05	T5 TRANSFORMER, OUTDOOR FAN MOTOR
EE04	T43 TRANSFORMER, REHEAT
CC07	T61 TRANSFORMER, INV INTERNAL POWER

NOTES
1 ONLY ON UNITS WITH HUMIDITROL OPTION
2 RT6 REMOTE MOUNT WIRING
3 T1 CONNECTED TO J/P395-1,2 ONLY WITH HUMIDITROL
4 USED ON VAV UNITS ONLY

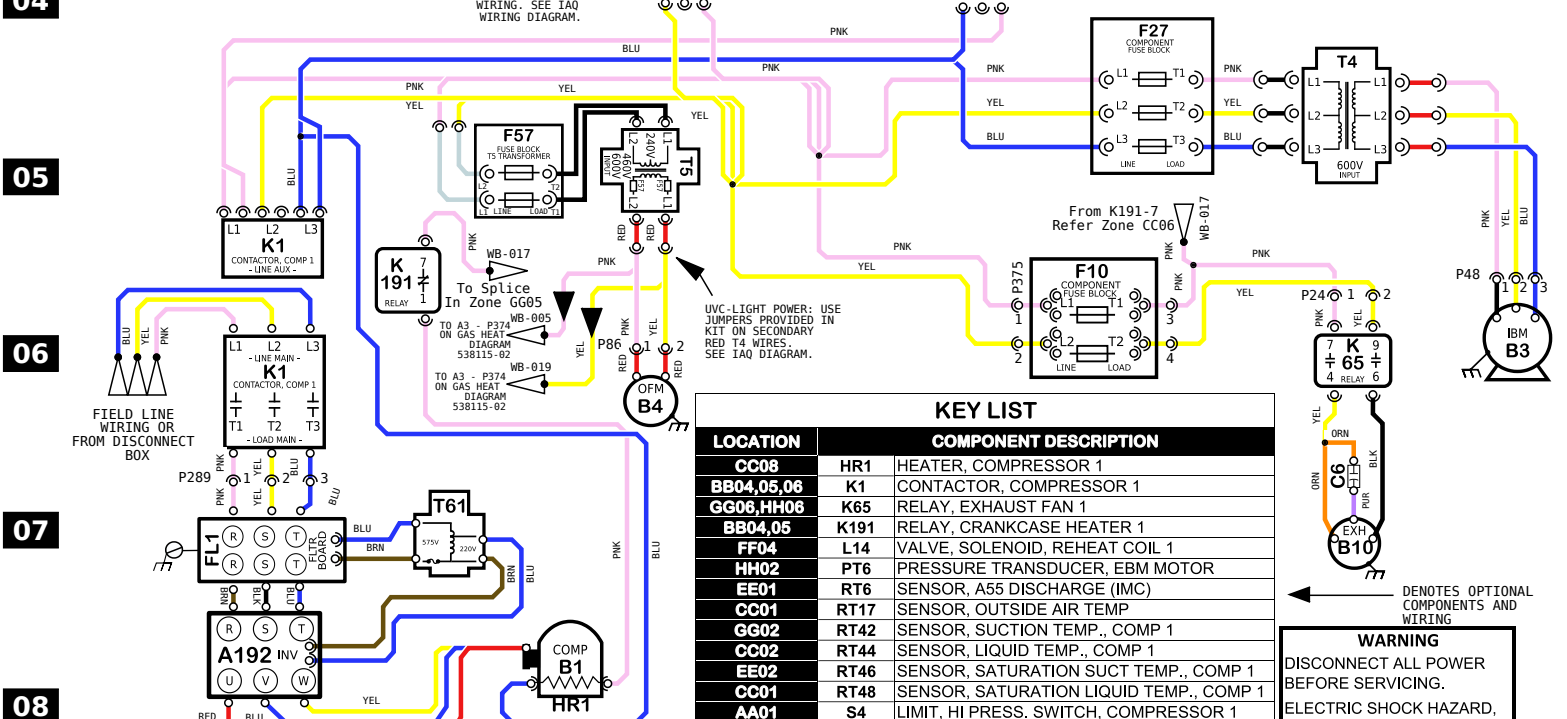
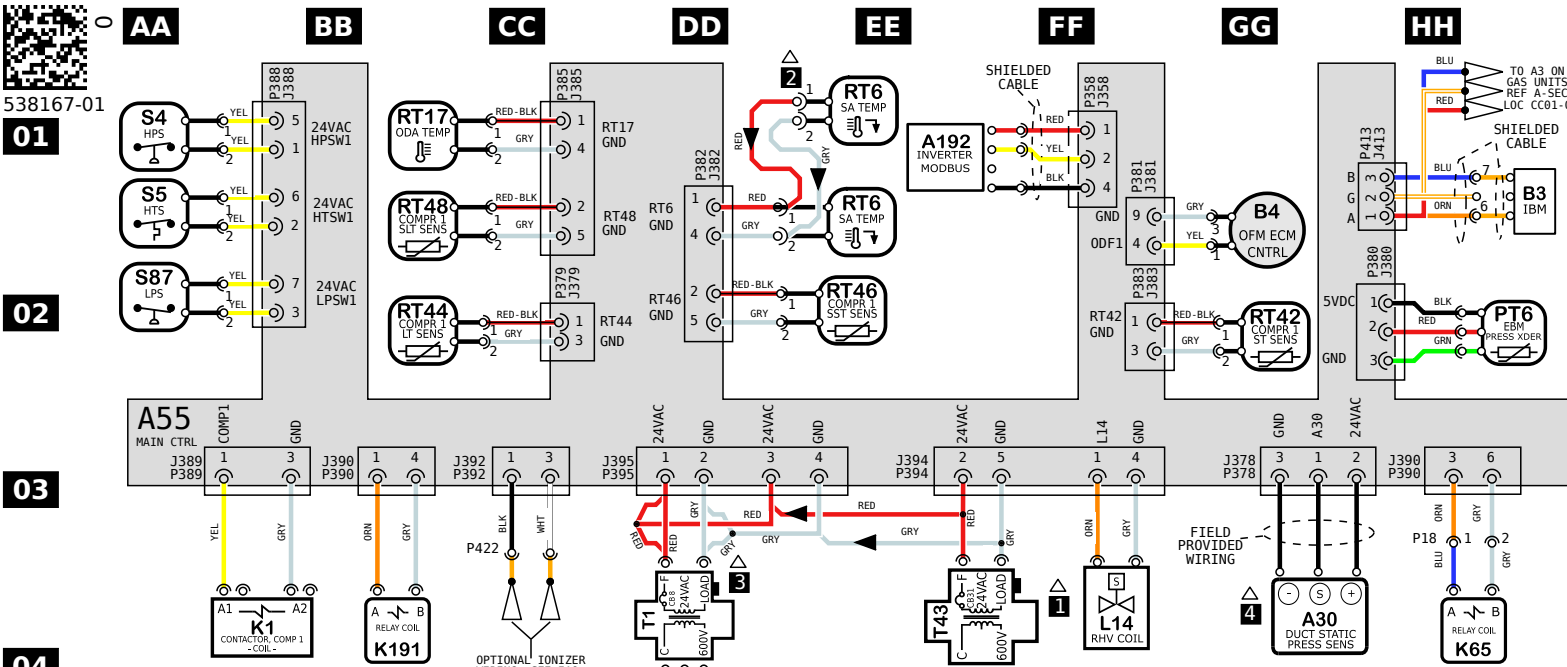


WARNING
DISCONNECT ALL POWER BEFORE SERVICING.
ELECTRIC SHOCK HAZARD, CAN CAUSE INJURY OR DEATH. UNIT MUST BE GROUNDED IN ACCORDANCE WITH NATIONAL AND LOCAL CODES.
FOR USE WITH COPPER CONDUCTORS ONLY. REFER TO UNIT RATING PLATE FOR MINIMUM CIRCUIT AMPACITY AND MAXIMUM OVERCURRENT PROTECTION SIZE.
IF ANY WIRE IN THIS APPLIANCE IS REPLACED, IT MUST BE REPLACED WITH WIRE OF LIKE SIZE, RATING AND INSULATION THICKNESS.

Model: LCM, LGM 036U - 074U J VOLT
Cooling Diagram with Higher SCCR
Voltage: 600/3/60 (J)
Supersedes: N/A Form No: 538167-01 Rev: 0

8.5 X 10 CUT SIZE

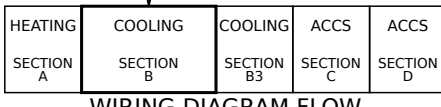
REV	EC NO.	DATE	BY	APVD	REVISION NOTE
--	CN-009876	07/21/2021	RXJ	JEG	ORIGINATED AT PD&R CARROLLTON, TX



KEY LIST		
LOCATION	COMPONENT DESCRIPTION	
AA02	A55	CONTROL BOARD, MAIN
EE01, BB08	A192	INVERTER, COMPRESSOR 1
CC08	B1	COMPRESSOR 1
HH06	B3	MOTOR, BLOWER
DD06, GG01	B4	MOTOR, OUTDOOR FAN 1
HH07	B10	MOTOR, EXHAUST FAN 1
HH06	C6	CAPACITOR, EXHAUST FAN 1
FF06	F10	FUSE, SCCR RELAY
FF04, 05	F27	FUSE, T4 TRANSFORMER PRIMARY
CC05	F57	FUSE, TRANSFORMER T5
AA07	FL1	FILTER BOARD

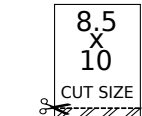
KEY LIST		
LOCATION	COMPONENT DESCRIPTION	
CC08	HR1	HEATER, COMPRESSOR 1
BB04, 05, 06	K1	CONTACTOR, COMPRESSOR 1
GG06, HH06	K65	RELAY, EXHAUST FAN 1
BB04, 05	K191	RELAY, CRANKCASE HEATER 1
FF04	L14	VALVE, SOLENOID, REHEAT COIL 1
HH02	PT6	PRESSURE TRANSDUCER, EBM MOTOR
EE01	RT6	SENSOR, A55 DISCHARGE (IMC)
CC01	RT17	SENSOR, OUTSIDE AIR TEMP
GG02	RT42	SENSOR, SUCTION TEMP., COMP 1
CC02	RT44	SENSOR, LIQUID TEMP., COMP 1
EE02	RT46	SENSOR, SATURATION SUCT TEMP., COMP 1
CC01	RT48	SENSOR, SATURATION LIQUID TEMP., COMP 1
AA01	S4	LIMIT, HI PRESS. SWITCH, COMPRESSOR 1
AA02	S5	LIMIT, HI TEMP. SWITCH, COMPRESSOR 1
DD04	T1	TRANSFORMER, CONTROL
GG05	T4	TRANSFORMER, BLOWER MOTOR
DD05	T5	TRANSFORMER, OUTDOOR FAN MOTOR
EE04	T43	TRANSFORMER, REHEAT
CC07	T61	TRANSFORMER, INV INTERNAL POWER

NOTES	
1	ONLY ON UNITS WITH HUMIDITROL OPTION
2	RT6 REMOTE MOUNT WIRING
3	T1 CONNECTED TO J/P395-1,2 ONLY WITH HUMIDITROL
4	USED ON VAV UNITS ONLY



WARNING
DISCONNECT ALL POWER BEFORE SERVICING.
ELECTRIC SHOCK HAZARD, CAN CAUSE INJURY OR DEATH. UNIT MUST BE GROUNDED IN ACCORDANCE WITH NATIONAL AND LOCAL CODES.
FOR USE WITH COPPER CONDUCTORS ONLY. REFER TO UNIT RATING PLATE FOR MINIMUM CIRCUIT AMPACITY AND MAXIMUM OVERCURRENT PROTECTION SIZE.
IF ANY WIRE IN THIS APPLIANCE IS REPLACED, IT MUST BE REPLACED WITH WIRE OF LIKE SIZE, RATING AND INSULATION THICKNESS.

Model: LCM, LGM 036U - 074U J VOLT
Cooling Diagram with Higher SCCR
Voltage: 600/3/60 (J)
Supersedes: N/A Form No: 538167-01 Rev: 0



REV	EC NO.	DATE	BY	APVD	REVISION NOTE
--	CN-009876	07/21/2021	RXJ	JEG	ORIGINATED AT PD&R CARROLLTON, TX