



SUBMITTAL DATA – **WALL-MOUNTED**
MCB024S4S-1P - MWCB024S4-2P
 SINGLE ZONE MINI-SPLIT **AIR CONDITIONER**

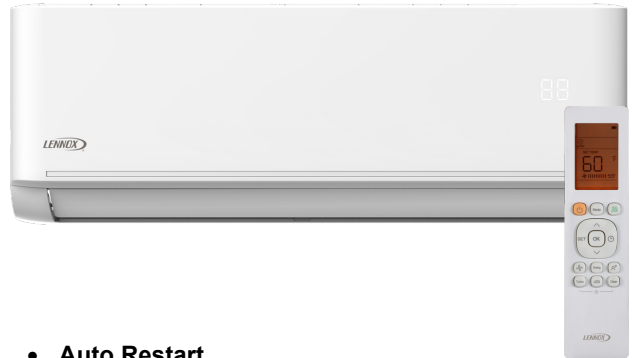
Job: _____
Location: _____
Schedule No.: _____
System Designation: _____

Engineer: _____
Architect: _____
Date: _____
 For: Reference Approval Review Construction

FEATURES

Outdoor Unit: MCB024S4S-1P

Indoor Unit: MWCB024S4-2P



- Cooling Only System
- DC Inverter Control
- Compressor Overcurrent Protection

- Auto Restart
- Three Speed Fan
- Flare Connections
- LED Readout
- Multi-Refrigerant Outlet
- Wireless Remote Included

PIPING

Line Set and Elevation Guidelines

Maximum Line Set Length ft. (m)	98 (30)
Maximum Elevation - Outdoor Unit Below/Above Indoor Unit ft. (m)	66 (20)
Liquid Line Set Diameter (in.)	3/8
Gas Line Set Diameter (in.)	5/8
Pre-Charged (ft.)	25
Additional Charge Per Ft. (oz.)	0.32

PRODUCT WARRANTY

Compressor – Five year limited warranty
 All other covered components - Five year limited warranty

OPTIONAL ACCESSORIES

Non-Programmable Controller (M0STAT61Q-1)
 Non-Programmable Controller (M0STAT120L-1)
 Programmable Controller (M0STAT120N-1)
 Hail Guard Set (M9GARD19Q-1/24M81)



NOTE – Due to Lennox' ongoing commitment to quality, Specifications, Ratings, and Dimensions are subject to change without notice and without incurring liability. Improper installation, adjustment, alteration, service or maintenance can cause property damage or personal injury. Installation and service must be performed by a qualified installer and servicing agency.



SUBMITTAL DATA - WALL-MOUNTED MCB024S4S-1P - MWCB024S4-2P

SINGLE ZONE MINI-SPLIT AIR CONDITIONER

OUTDOOR SPECIFICATIONS

PERFORMANCE

Cooling Capacity (Btu/h) ¹	22,000
EER2	10.20
SEER2	20
Outdoor Fan Total Air Volume (CFM)	1,253
Ambient Temperature Operating Range	
Cooling	5°F - 122°F

ELECTRICAL DATA

Power Supply (V/Hz/Φ)	208-230/60/1
Minimum Circuit Ampacity (A)	16
Maximum Overcurrent Protection (A)	20
Outdoor Fan Motor RLA (A)	0.40
No. of Compressors	1

GENERAL DATA

Connection Ratio (%)	100%
Max. # of Indoor Units	1 unit
Sound Data (dBA) - Cooling	55.5
Refrigerant type	R-410A
Factory refrigerant charge	2 lbs. 6 oz.

DIMENSIONS

Unit Dimensions (in)	Height	27-5/8
	Width	33-5/8
	Depth	13-3/4
Shipping Weight (lb)	73	
Net Weight (lb)	68	

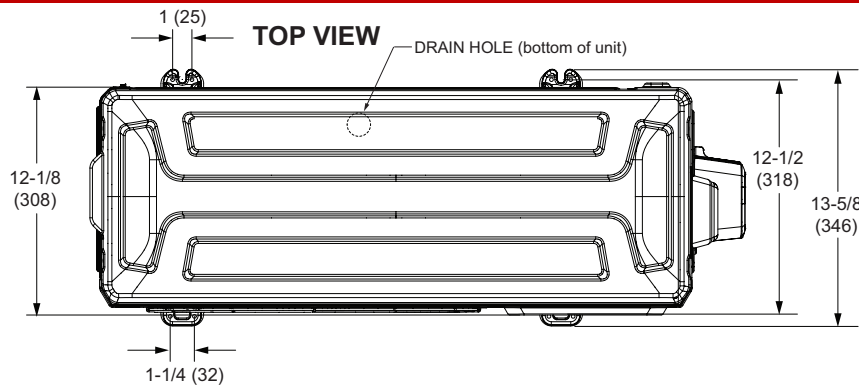
NOTES

1. Cooling and Heating Capacity data is rated at the following conditions:

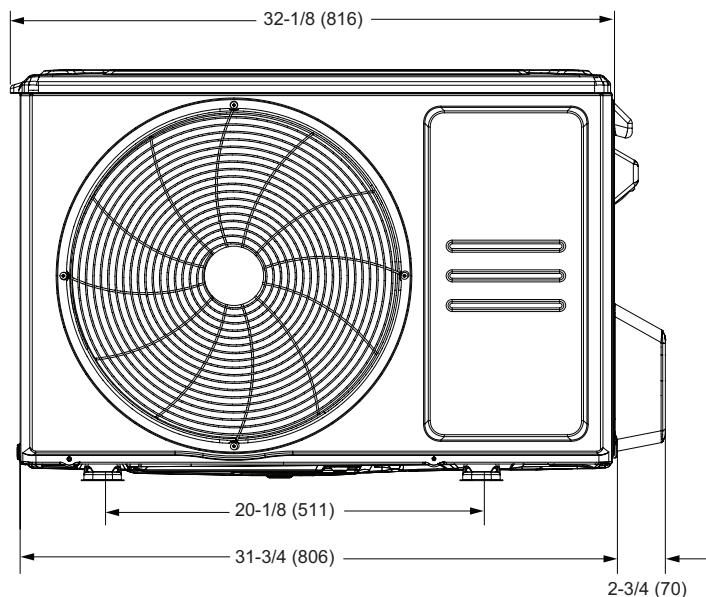
Cooling: 80°FDB / 67°FWB Indoor, 95°FDB Outdoor

Heating: 70°FDB Indoor, 47°FDB / 43°FWB Outdoor

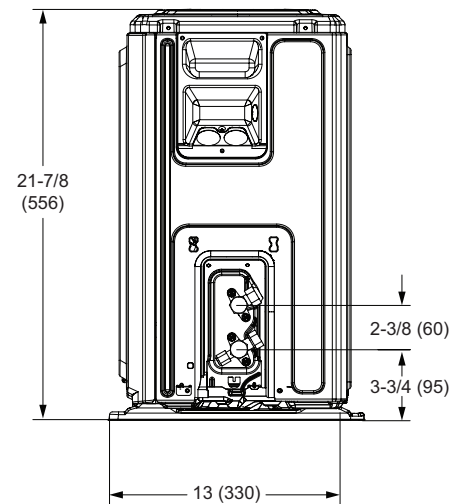
OUTDOOR DIMENSIONAL DRAWINGS - INCHES (MM)



FRONT VIEW



SIDE VIEW



NOTE - Due to Lennox' ongoing commitment to quality, Specifications, Ratings, and Dimensions are subject to change without notice and without incurring liability. Improper installation, adjustment, alteration, service or maintenance can cause property damage or personal injury. Installation and service must be performed by a qualified installer and servicing agency.

496048 (202312)

©2023 Lennox Industries, Inc.



SUBMITTAL DATA – WALL-MOUNTED MCB024S4S-1P - MWCB024S4-2P

SINGLE ZONE MINI-SPLIT AIR CONDITIONER

INDOOR SPECIFICATIONS

PERFORMANCE

Airflow (CFM)	High	588
	Medium	471
	Low	400
Sound Pressure (dBA)	High	47.5
	Medium	39.5
	Low	36

ELECTRICAL DATA

Power Supply (V/Hz/Φ)	Supplied by ODU
Rated load amps (RLA)	9.30
Power Output (W)	58

DIMENSIONS

Unit Dimensions (in)	Height	13-1/4
	Width	42-5/8
	Depth	9-3/8

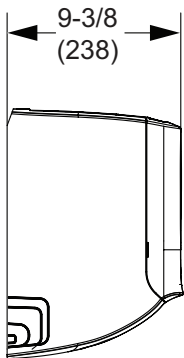
Unit Net/Shipping Weight (lb)	30/38
-------------------------------	-------

PIPING

Liquid/Gas O.D. Flare (in.)	3/8 , 5/8
Drain Connection O.D. (in.)	1

INDOOR DIMENSIONAL DRAWINGS - INCHES (MM)

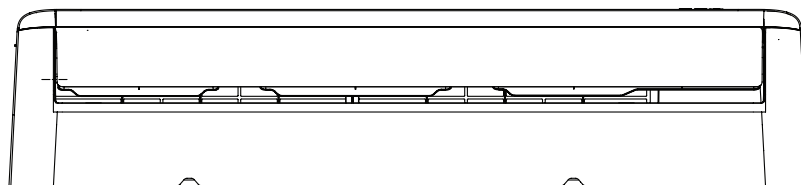
MWCB024



SIDE VIEW



FRONT VIEW



BOTTOM VIEW

NOTE – Due to Lennox' ongoing commitment to quality, Specifications, Ratings, and Dimensions are subject to change without notice and without incurring liability. Improper installation, adjustment, alteration, service or maintenance can cause property damage or personal injury. Installation and service must be performed by a qualified installer and servicing agency.