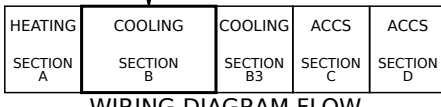


LOCATION	COMPONENT DESCRIPTION	
CC08	HR1	HEATER, COMPRESSOR 1
BB04,05,08	K1	CONTACTOR, COMPRESSOR 1
HH04,05	K65	RELAY, EXHAUST FAN 1
BB04,05	K191	RELAY, CRANKCASE HEATER 1
FF04	L14	VALVE, SOLENOID, REHEAT COIL 1
HH02	PT6	PRESSURE TRANSDUCER, EBM MOTOR
EE01	RT6	SENSOR, OUTSIDE AIR TEMP
CC01	RT17	SENSOR, A55 DISCHARGE (IMC)
GG02	RT42	SENSOR, SUCTION TEMP., COMP 1
CC02	RT44	SENSOR, LIQUID TEMP., COMP 1
EE02	RT46	SENSOR, SATURATION SUCT TEMP., COMP 1
CC01	RT48	SENSOR, SATURATION LIQUID TEMP., COMP 1
AA01	S4	LIMIT, HI PRESS. SWITCH, COMPRESSOR 1
AA01	S5	LIMIT, HI TEMP. SWITCH, COMPRESSOR 1
AA02	S87	SWITCH, LOW PRESS., COMP. 1
DD04	T1	TRANSFORMER, CONTROL
DD05	T5	TRANSFORMER, OUTDOOR FAN MOTOR
EE04	T43	TRANSFORMER, REHEAT
CC07	T61	TRANSFORMER, INV INTERNAL POWER

← DENOTES OPTIONAL COMPONENTS AND WIRING

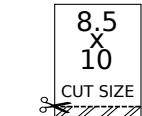
WARNING
DISCONNECT ALL POWER BEFORE SERVICING.
ELECTRIC SHOCK HAZARD, CAN CAUSE INJURY OR DEATH. UNIT MUST BE GROUNDED IN ACCORDANCE WITH NATIONAL AND LOCAL CODES.
FOR USE WITH COPPER CONDUCTORS ONLY. REFER TO UNIT RATING PLATE FOR MINIMUM CIRCUIT AMPACITY AND MAXIMUM OVERCURRENT PROTECTION SIZE.
IF ANY WIRE IN THIS APPLIANCE IS REPLACED, IT MUST BE REPLACED WITH WIRE OF LIKE SIZE, RATING AND INSULATION THICKNESS.

NOTES	
1	ONLY ON UNITS WITH HUMIDITROL OPTION
2	RT6 REMOTE MOUNT WIRING
3	T1 CONNECTED TO J/P395-1,2 ONLY WITH HUMIDITROL
4	USED ON VAV UNITS ONLY

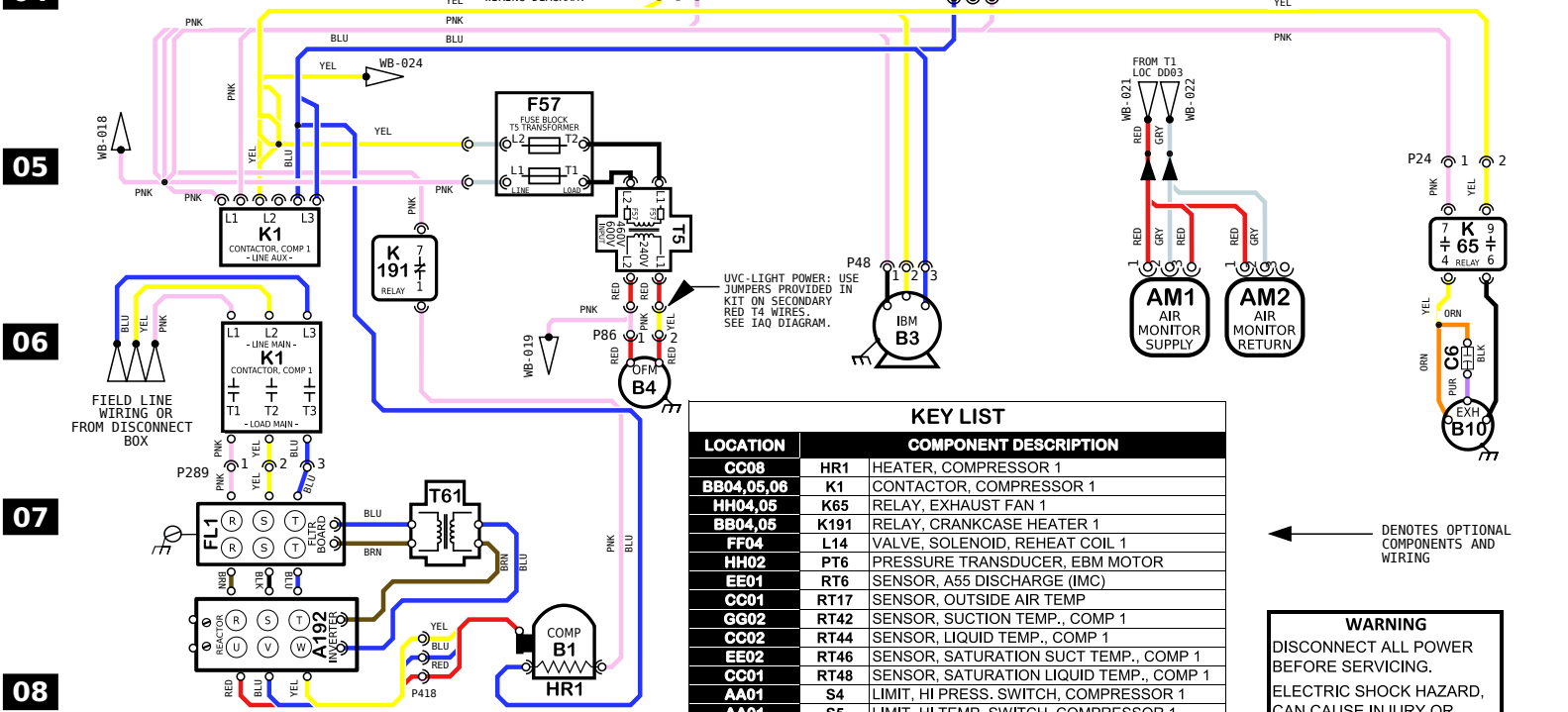
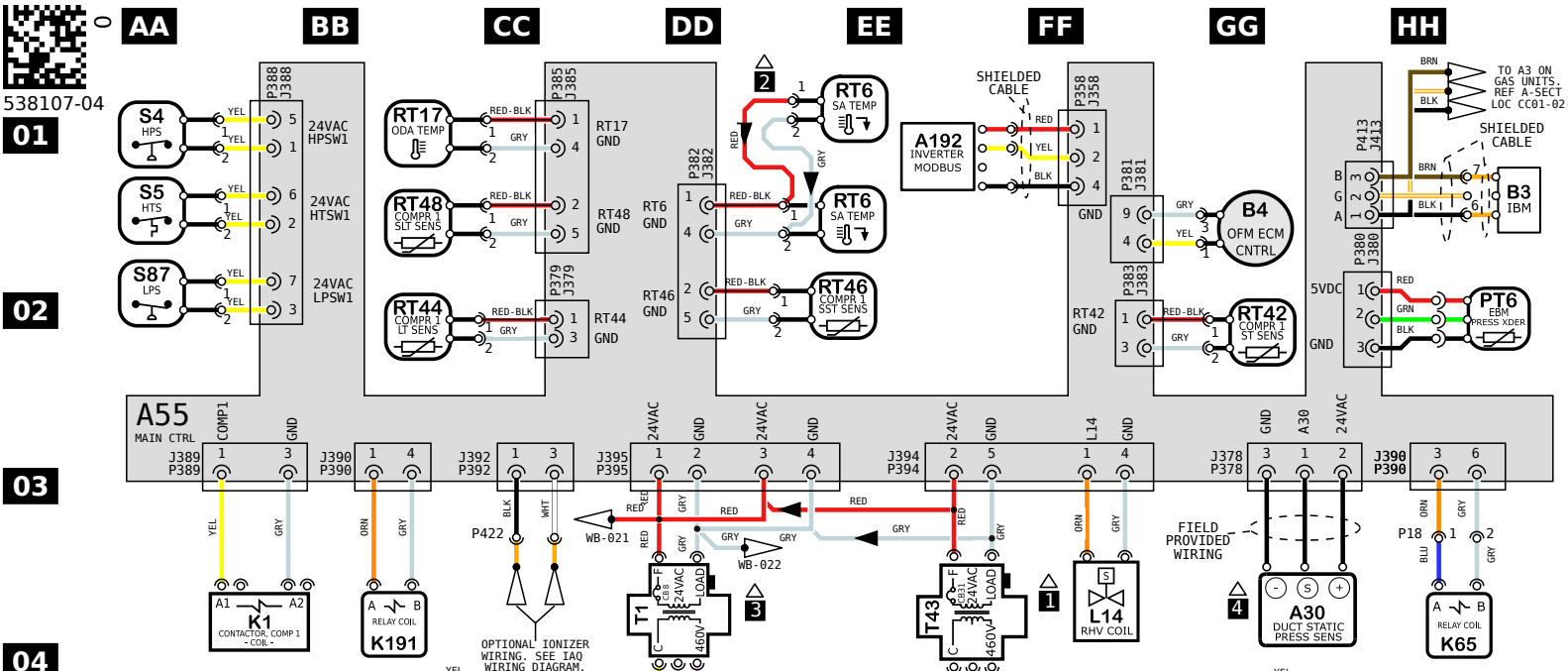


LOCATION	COMPONENT DESCRIPTION	
AA02	A55	CONTROL BOARD, MAIN
GG06	AM1,AM2	AIR MONITOR, SUPPLY/RETURN, IAQ-TVOC
GG04	A30	SENSOR, DUCT STATIC PRESS.
EE01, BB08	A192	INVERTER, COMPRESSOR 1
CC08	B1	COMPRESSOR 1
EE06	B3	MOTOR, BLOWER
DD06, GG01	B4	MOTOR, OUTDOOR FAN 1
HH06	B10	MOTOR, EXHAUST FAN 1
HH05	C6	CAPACITOR, EXHAUST FAN 1
CC05	F57	FUSE, T5 TRANSFORMER PRIMARY
AA07	FL1	FILTER BOARD

Model: LCM, LGM 036U - 074U G VOLT
Cooling Diagram without Higher SCCR
Voltage: 460/3/60 (G)
Supersedes: N/A Form No: 538107-04 Rev: 0



REV	EC NO.	DATE	BY	APVD	REVISION NOTE
--	CN-011764C	07/24/2024	AXL	AAH	ORIGINATED AT PD&R CARROLLTON, TX

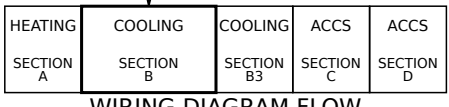


LOCATION	COMPONENT DESCRIPTION
CC08	HR1 HEATER, COMPRESSOR 1
BB04,05,08	K1 CONTACTOR, COMPRESSOR 1
HH04,05	K65 RELAY, EXHAUST FAN 1
BB04,05	K191 RELAY, CRANKCASE HEATER 1
FF04	L14 VALVE, SOLENOID, REHEAT COIL 1
HH02	PT6 PRESSURE TRANSDUCER, EBM MOTOR
EE01	RT6 SENSOR, OUTSIDE AIR TEMP
CC01	RT17 SENSOR, A55 DISCHARGE (IMC)
GG02	RT42 SENSOR, SUCTION TEMP., COMP 1
CC02	RT44 SENSOR, LIQUID TEMP., COMP 1
EE02	RT46 SENSOR, SATURATION SUCT TEMP., COMP 1
CC01	RT48 SENSOR, SATURATION LIQUID TEMP., COMP 1
AA01	S4 LIMIT, HI PRESS. SWITCH, COMPRESSOR 1
AA01	S5 LIMIT, HI TEMP. SWITCH, COMPRESSOR 1
AA02	S87 SWITCH, LOW PRESS., COMP. 1
DD04	T1 TRANSFORMER, CONTROL
DD05	T5 TRANSFORMER, OUTDOOR FAN MOTOR
EE04	T43 TRANSFORMER, REHEAT
CC07	T61 TRANSFORMER, INV INTERNAL POWER

← DENOTES OPTIONAL COMPONENTS AND WIRING

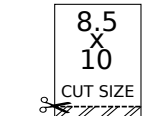
WARNING
DISCONNECT ALL POWER BEFORE SERVICING.
ELECTRIC SHOCK HAZARD, CAN CAUSE INJURY OR DEATH. UNIT MUST BE GROUNDED IN ACCORDANCE WITH NATIONAL AND LOCAL CODES.
FOR USE WITH COPPER CONDUCTORS ONLY. REFER TO UNIT RATING PLATE FOR MINIMUM CIRCUIT AMPACITY AND MAXIMUM OVERCURRENT PROTECTION SIZE.
IF ANY WIRE IN THIS APPLIANCE IS REPLACED, IT MUST BE REPLACED WITH WIRE OF LIKE SIZE, RATING AND INSULATION THICKNESS.

NOTES	
1	ONLY ON UNITS WITH HUMIDITROL OPTION
2	RT6 REMOTE MOUNT WIRING
3	T1 CONNECTED TO J/P395-1,2 ONLY WITH HUMIDITROL
4	USED ON VAV UNITS ONLY



LOCATION	COMPONENT DESCRIPTION
AA02	A55 CONTROL BOARD, MAIN
GG06	AM1,AM2 AIR MONITOR, SUPPLY/RETURN, IAQ-TVOC
GG04	A30 SENSOR, DUCT STATIC PRESS.
EE01, BB08	A192 INVERTER, COMPRESSOR 1
CC08	B1 COMPRESSOR 1
EE06	B3 MOTOR, BLOWER
DD06, GG01	B4 MOTOR, OUTDOOR FAN 1
HH06	B10 MOTOR, EXHAUST FAN 1
HH05	C6 CAPACITOR, EXHAUST FAN 1
CC05	F57 FUSE, T5 TRANSFORMER PRIMARY
AA07	FL1 FILTER BOARD

Model: LCM, LGM 036U - 074U G VOLT
Cooling Diagram without Higher SCCR
Voltage: 460/3/60 (G)
Supersedes: N/A Form No: 538107-04 Rev: 0



REV	EC NO.	DATE	BY	APVD	REVISION NOTE
--	CN-011764C	07/24/2024	AXL	AAH	ORIGINATED AT PD&R CARROLLTON, TX