

# PACKAGED UNITS KITS AND ACCESSORIES

506342-02  
10/2019  
Supersedes 9/2019

## DISCONNECT SWITCH KIT

### INSTALLATION INSTRUCTIONS FOR DISCONNECT SWITCH KIT (603382-01 & 02; 54W56 & 54W57) USED ON LGH/LCH/KG/KC/KD/KH SERIES 092-150 UNITS

#### Shipping and Packing List

##### 54W56 (80A)

##### Package 1 of 1 contains:

- 1- Disconnect switch (S48)
- 1- Mounting plate
- 1- Plastic disconnect cover
- 1- DIN rail
- 3- Wires
- 1- Bag assembly containing:
  - 6-#8-32 X 1/2 Screws
  - 2-Labels (S48, L123)
  - 2-Terminal covers

##### 54W57 (150A)

##### Package 1 of 1 contains:

- 1- Disconnect switch (S48)
- 3- Wires
- 1- Plastic disconnect cover
- 1- Bag assembly containing:
  - 2-Labels (S48, L123)

#### Ordered and Shipped Separately:

An additional sheet metal cover kit must be installed on units built before April 2019. Contact customer service to order the appropriate kit. See table 1.

TABLE 1

Unit	Kit
Gas Heat with CAV Blower	14Y50
All Other Units	14Y51

### **⚠️ WARNING**

Improper installation, adjustment, alteration, service or maintenance can cause property damage, personal injury or loss of life. Installation and service must be performed by a licensed professional HVAC installer or equivalent, service agency, or the gas supplier

#### Application

The Disconnect Switch Kit is used on LG/LC/KG/KC/KH/KD 092 through 150 units. Disconnect size depends on unit voltage, blower motor horsepower, and electric heat. Refer to product specifications to determine which size disconnect to use with each unit.

#### Installation

- 1- Disconnect all power to unit.
- 2- Locate the disconnect cover on the unit mullion near the compressor section. Remove screws securing the disconnect cover; retain cover and screws.
- 3- Remove TB2 terminal block from make-up box. Reinstall the TB2 terminal block ONLY when the unit contains electric heat and uses an 80 amp disconnect.
- 4- *80A Disconnects* -  
Install mounting plate and DIN rail in wiring make-up box as shown in figure 1. Secure with #8 screws. Snap disconnect switch onto DIN rail. Reinstall TB2 on mounting plate above disconnect switch when unit contains electric heat.

##### *150A Disconnects* -

Install disconnect in make-up box and secure with four #8 screws provided with disconnect. See figure 2. When hex nuts are not provided in unit, use field-provided nuts to secure screws in place.

### **⚠️ CAUTION**

As with any mechanical equipment, contact with sharp sheet metal edges can result in personal injury. Take care while handling this equipment and wear gloves and protective clothing.



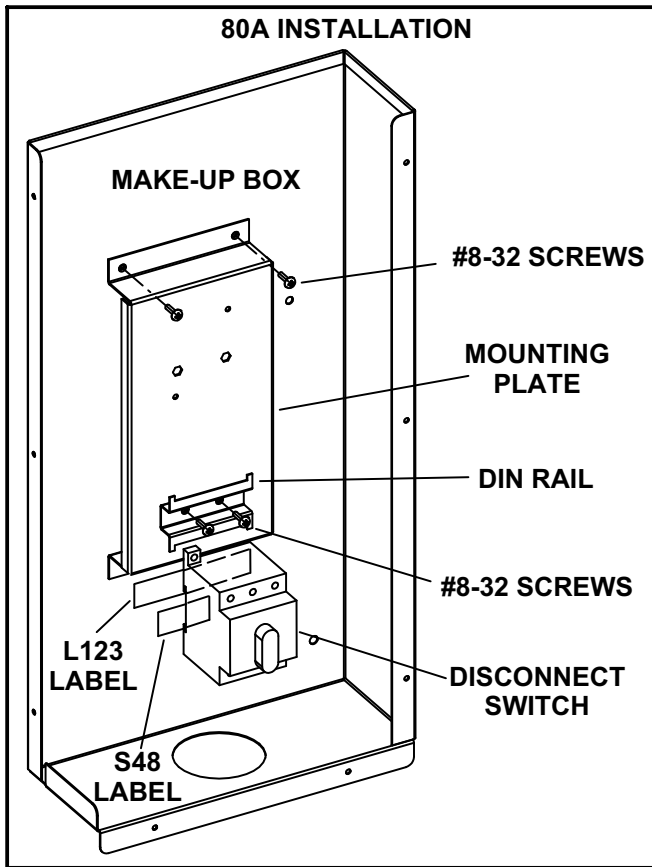


FIGURE 1

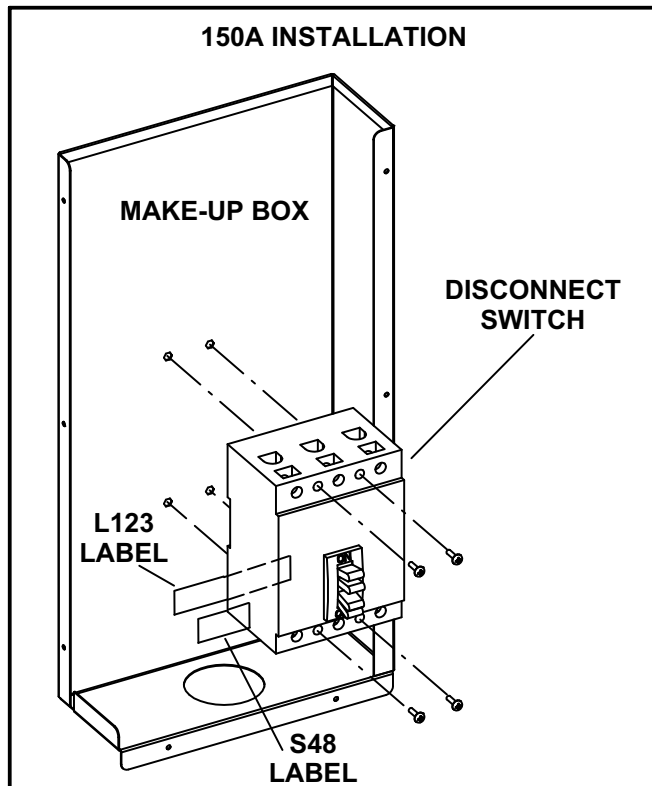


FIGURE 2

- 5- Remove and retain the #6 screws securing the weatherproof cover installed on the disconnect box cover. See figure 3. Install the plastic disconnect cover in the same place using the #6 retained screws. See figure 4.
- 6- Affix labels to makeup box; refer to appropriate figure 1 or 2.
- 7- Install the disconnect box cover over the make-up box opening.

*Note - Disconnects provided in this kit are bi-directional; disregard line and load side nomenclature on 80 amp disconnects.*

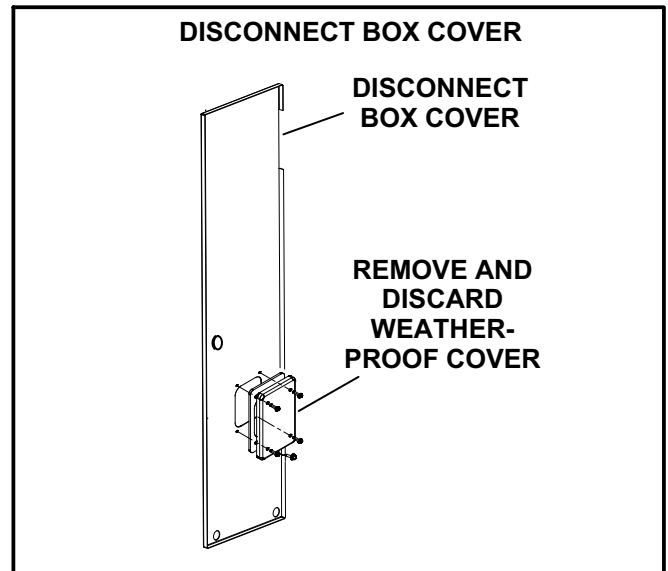


FIGURE 3

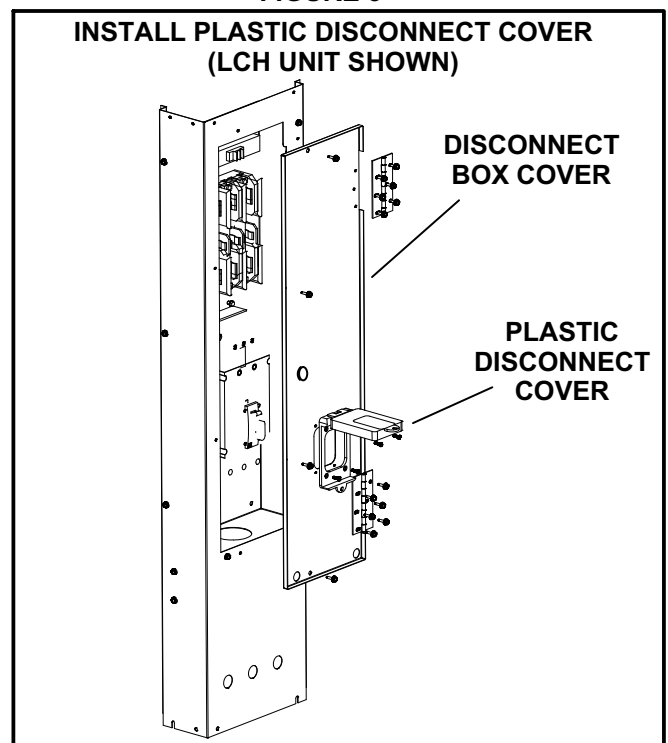


FIGURE 4

## Wiring

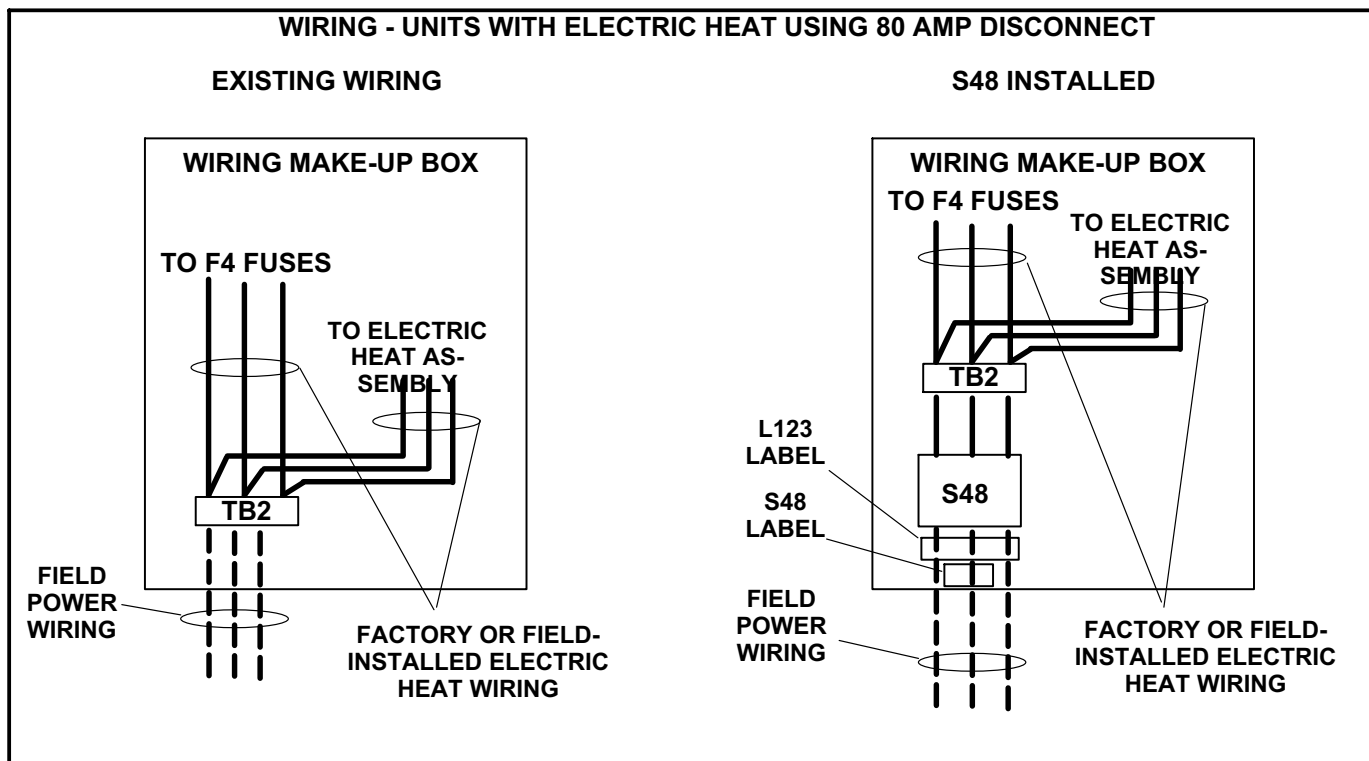
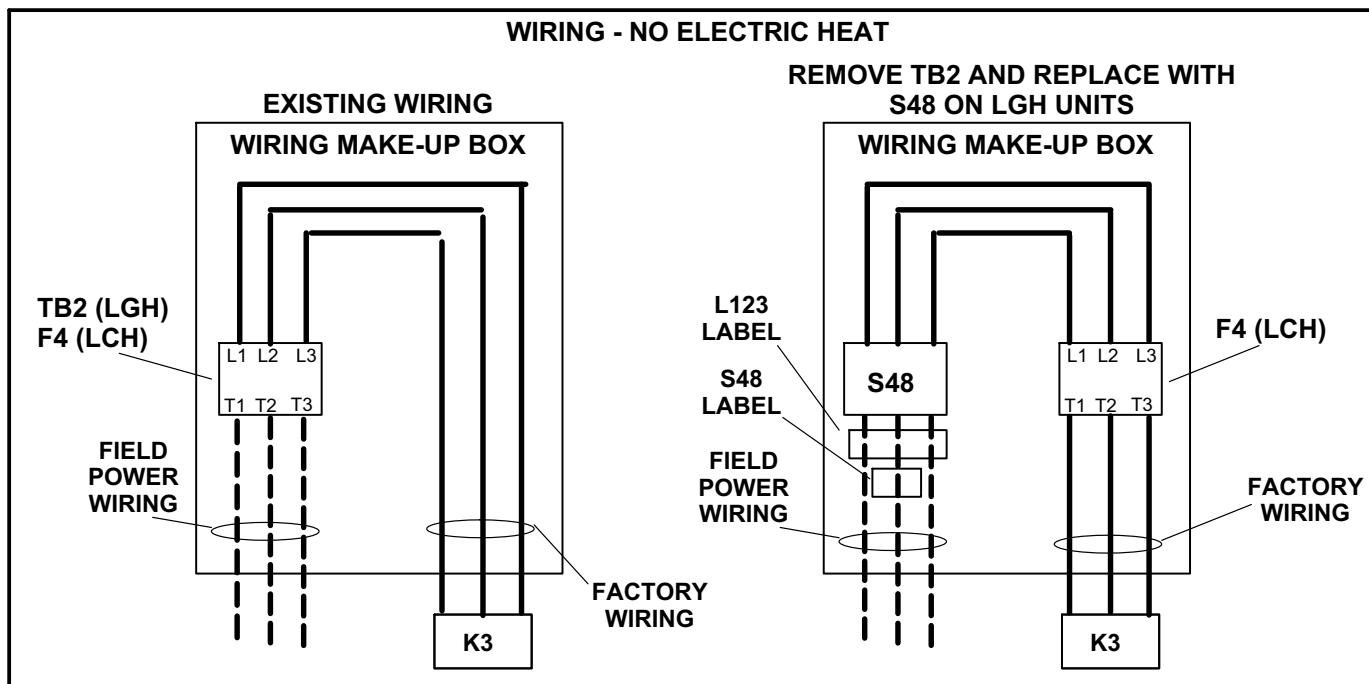
Make wiring connections as follows and as shown on unit diagram. Refer to local codes.

Use the following figures to make wiring connections.

### 80A Disconnects

Install plastic terminal covers on the disconnect switch after wiring connections are completed.

Unit	Disconnect	Figure
No Electric Heat	Any	Figure 5
Electric Heat Installed	80 Amp	Figure 6
Electric Heat Installed	150 Amp	Figure 7



WIRING - UNITS WITH ELECTRIC HEAT USING 150 AMP DISCONNECT

EXISTING WIRING

S48 INSTALLED

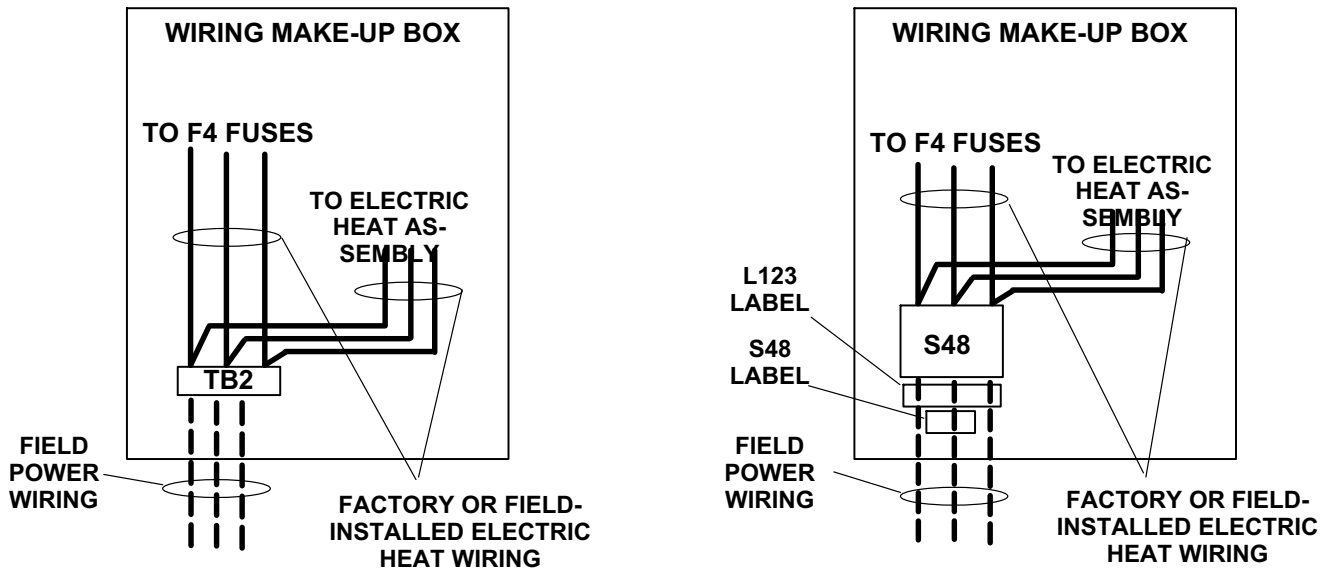


FIGURE 7