

- ▲ CUT W914 JUMPER LABELED DEHUM FROM DS TO R, AT A92 CONTROL BOARD, WHEN USED WITH ComfortSense™ THERMOSTAT
- ▲ CUT W9151 JUMPER FROM O TO R, LABELED "HEAT PUMP", AT A92 CONTROL BOARD, WHEN USED FOR DUAL FUEL APPLICATIONS
- ▲ CUT W915 JUMPER LABELED "2 STAGE COMPR." FROM Y1 TO Y2 AT A92 CONTROL WHEN USED WITH A 2 STAGE COOL THERMOSTAT.

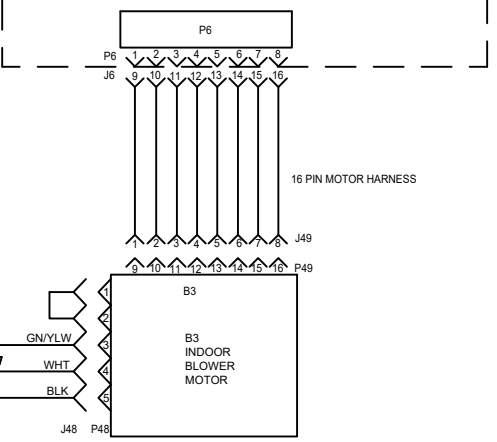
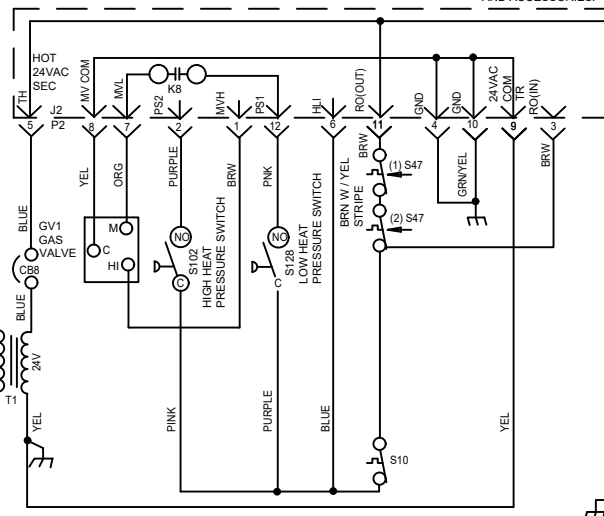
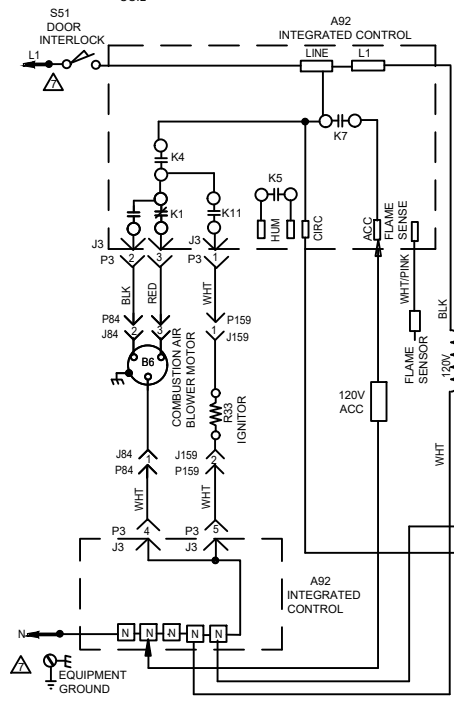
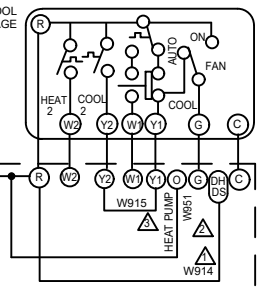
THERMOSTAT HEAT ANTICIPATION SETTING
 65 AMP HONEYWELL VALVE
 43 AMP WHITE RODGERS VALVE

NOTE: SEE INSTALLATION INSTRUCTIONS FOR PROCEDURE TO SET CORRECT BLOWER SPEED FOR SPECIFIC COOLING TONNAGE BEING APPLIED, AND HEATING TEMPERATURE RISE DESIRED.

TYPICAL SYSTEM SHOWN FOR 2 HEAT/2 COOL WITH A CONVENTIONAL THERMOSTAT. SEE INSTALLATION INSTRUCTIONS FOR CONNECTIONS TO OTHER EQUIPMENT AND ACCESSORIES.

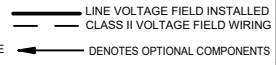
JACKPLUG CHART	
J.P48	JACK/PLUG-INDOOR BLOWER-POWER
J.P49	JACK/PLUG-INDOOR BLOWER-SPD TAP
J.P2	JACK/PLUG-BURNER CONTROL
J.P84	JACK/PLUG-COMB AIR INDUCER
J.P3	JACK/PLUG-INDUCER/IGNITER
J.P159	JACK/PLUG-IGNITION
J.P5	JACK/PLUG LOW GWP SENSOR #1
J.P6	JACK/PLUG-LOW GWP SENSOR #2

- ▲ L13 USED ON 3/4 AND 1 HP ONLY
- ▲ DIP SWITCH FACTORY DEFAULT IS FOR A TWO STAGE THERMOSTAT
- ▲ FIELD SUPPLIED ACC WIRE
- ▲ USE COPPER CONDUCTORS ONLY



WARNING- ELECTRIC SHOCK HAZARD, CAN CAUSE INJURY OR DEATH. UNIT MUST BE GROUNDED IN ACCORDANCE WITH NATIONAL AND LOCAL CODES.

IF ANY WIRE IN THIS APPLIANCE IS REPLACED, IT MUST BE REPLACED WITH WIRE OF LIKE SIZE, RATING, INSULATION THICKNESS, AND TERMINATION



HEATING UNITS-GAS	
2 STAGE, VARIABLE SPEED, NON-COMMUNICATING GAS FIRED CONDENSING FURNACE	
2 STAGE HEAT 2 STAGE COOL	
Supersedes	
	Form No. 538496-01

CUT SIZE 9-1/16" W X 8-1/2" H