



538553-01

AA

BB

CC

DD

EE

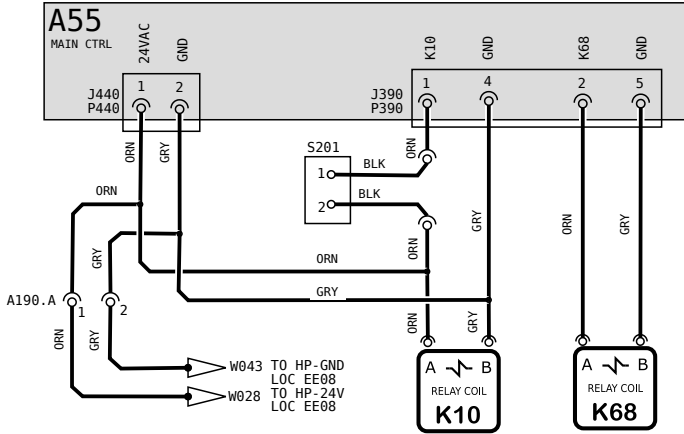
FF

KEY LIST		
LOCATION	COMPONENT DESCRIPTION	
EE08	A187	PRESSURE TRANSDUCER 1
DD07	A190	HEAD PRESSURE CONTROLLER 1
AA/BB08	B4, B5	MOTOR, OUTDOOR FAN 1, 2
CC09	B21	MOTOR, OUTDOOR FAN 3
BB/CC07	C1, C2	CAPACITOR, OUTDOOR FAN 1, 2
DD08	C18	CAPACITOR, OUTDOOR FAN 3
EE06	F10	FUSE, COMPONENT
AA/BB07/CC06	K10	RELAY, OUTDOOR FAN 1, 2
CC06/DD07	K68	RELAY, OUTDOOR FAN 3
BB04	S201	TEMPERATURE SWITCH, OUTDOOR

01

02

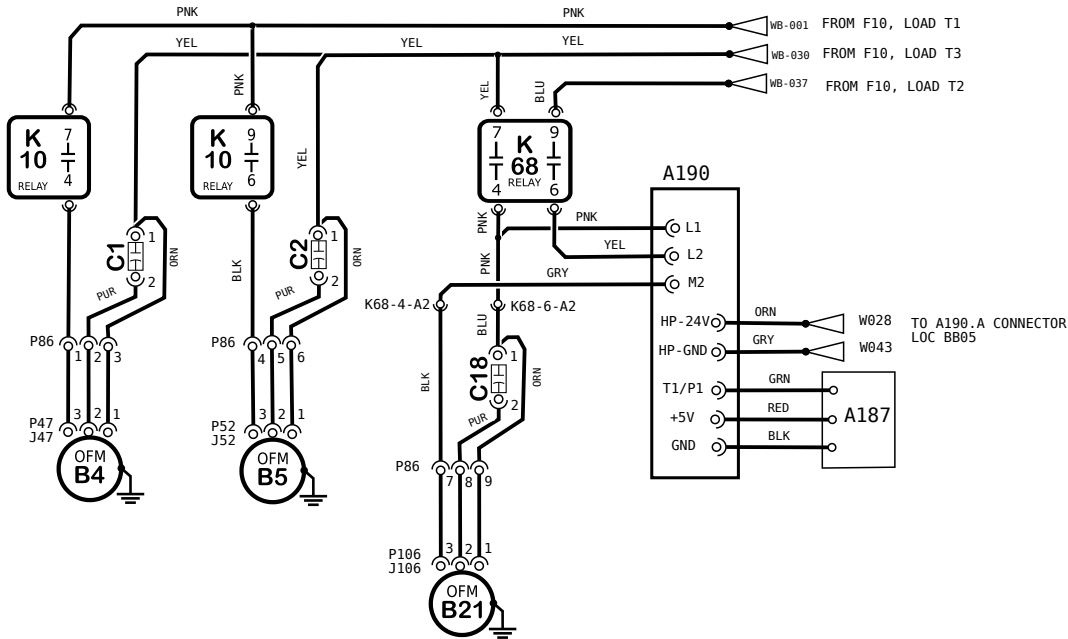
03



04

05

06



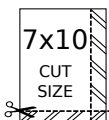
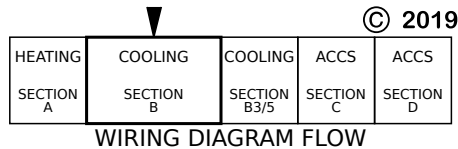
07

08

09

10

Model: LCX LGX 180S, 210S  
 LOW AMBIENT KIT  
 Voltage: ALL VOLTAGES  
 Supersedes: N/A Form No: 538553-01 Rev: 0



REV	EC NO.	DATE	BY	APVD	REVISION NOTE
---	CN-012404A	05-10-2024	DEV	JAL21	ORIGINATED AT PD&R CARROLLTON, TX



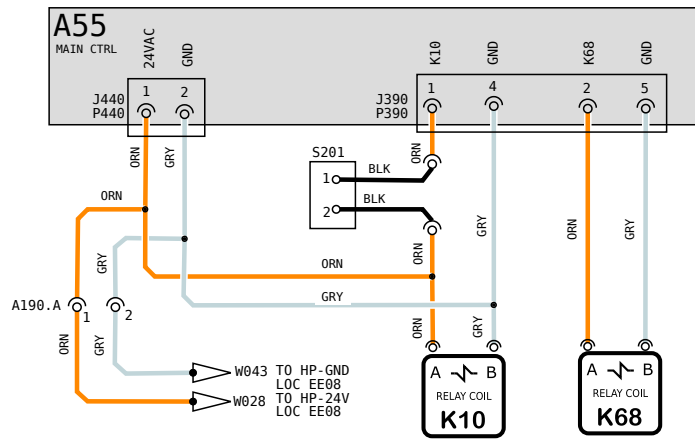
**AA**      **BB**      **CC**      **DD**      **EE**      **FF**

KEY LIST		
LOCATION	COMPONENT DESCRIPTION	
EE08	A187	PRESSURE TRANSDUCER 1
DD07	A190	HEAD PRESSURE CONTROLLER 1
AA/BB08	B4, B5	MOTOR, OUTDOOR FAN 1, 2
CC09	B21	MOTOR, OUTDOOR FAN 3
BB/CC07	C1, C2	CAPACITOR, OUTDOOR FAN 1, 2
DD08	C18	CAPACITOR, OUTDOOR FAN 3
EE06	F10	FUSE, COMPONENT
AA/BB07/CC06	K10	RELAY, OUTDOOR FAN 1, 2
CC06/DD07	K68	RELAY, OUTDOOR FAN 3
BB04	S201	TEMPERATURE SWITCH, OUTDOOR

**01**

**02**

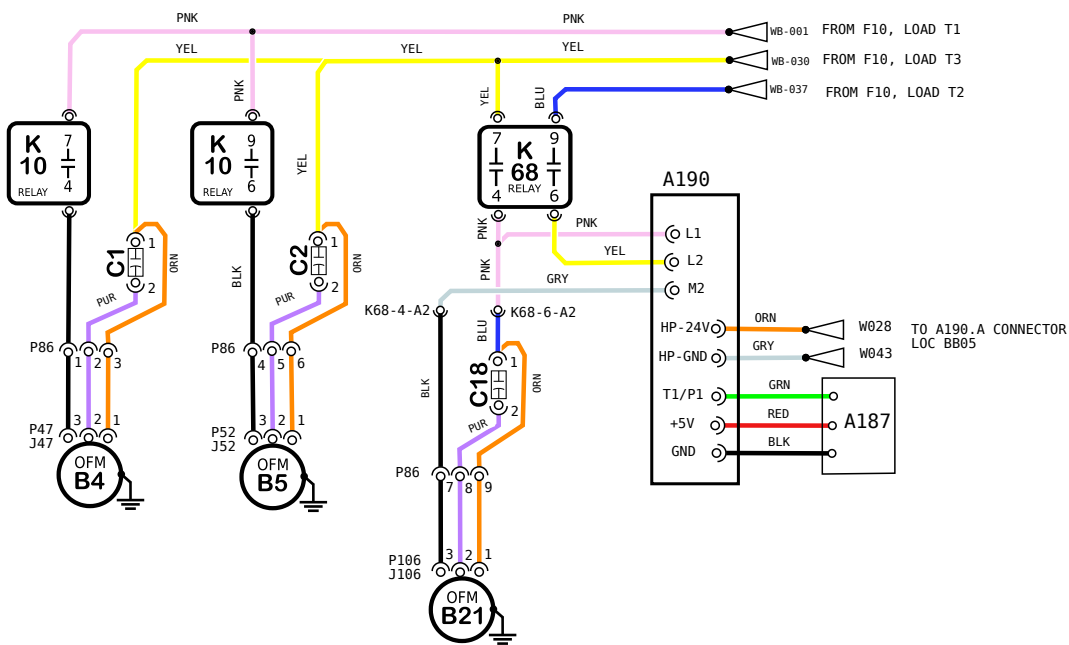
**03**



**04**

**05**

**06**

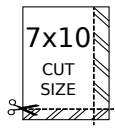
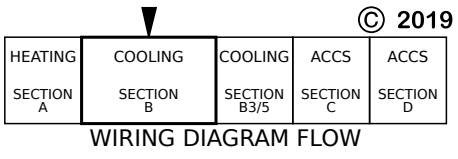


**07**

**08**

**09**

**10** Model: LCX LGX 180S, 210S  
 LOW AMBIENT KIT  
 Voltage: ALL VOLTAGES  
 Supersedes: N/A Form No: 538553-01 Rev: 0



REV	EC NO.	DATE	BY	APVD	REVISION NOTE
---	CN-012404A	05-10-2024	DEV	JAL21	ORIGINATED AT PD&R CARROLLTON, TX