



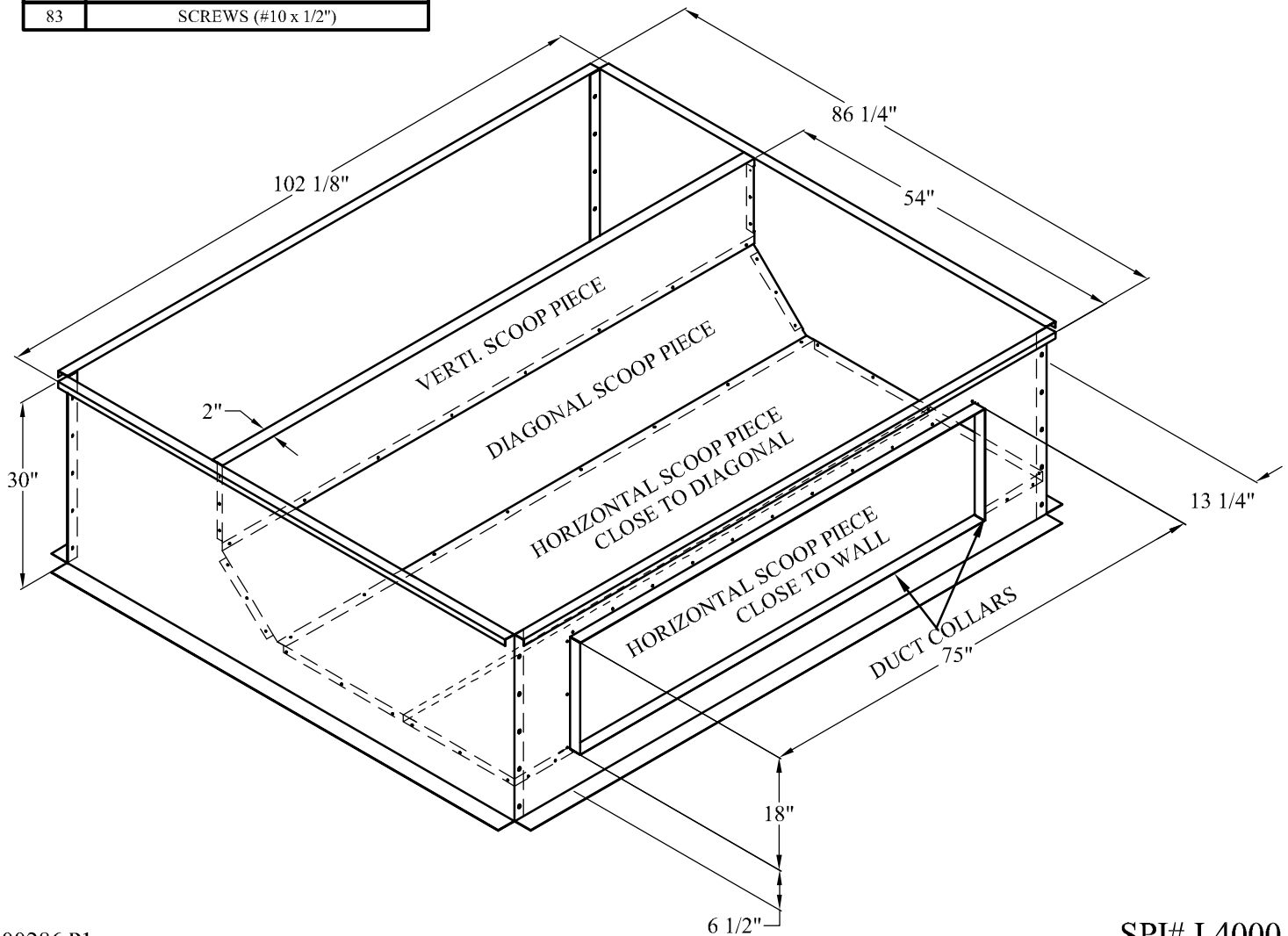
BOLTED HORIZONTAL ROOF FRAME FOR



ENLIGHT "D" BOX
ALL "C" BOX UNITS

SHIPPED KNOCKDOWN FOR
FIELD ASSEMBLY

ASSEMBLY PARTS LIST	
QTY	DESCRIPTION
2	CURB SIDES
2	CURB ENDS
1	VERTICAL SCOOP PIECE
1	DIAGONAL SCOOP PIECE
1	HORIZONTAL SCOOP PIECE CLOSE TO DIAGONAL
1	HORIZONTAL SCOOP PIECE CLOSE TO OUTSIDE WALL
20	#11000 5/16" BOLT X 3/4" LONG
20	#11205 5/16" NUT
40	#11405 5/16" WASHER
1	ASSEMBLY INSTRUCTION
83	SCREWS (#10 x 1/2")



5000286 P1
REV.-JUL. 17 / 24

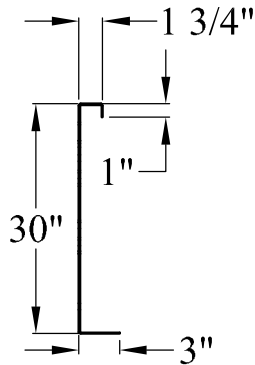
SPI# L4000
CAT#11T90



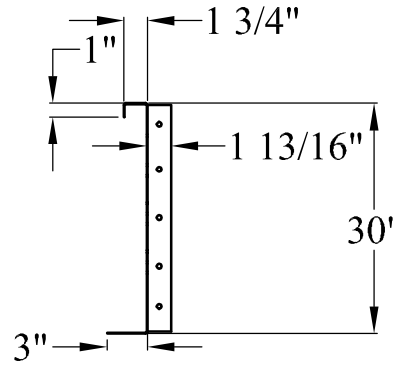
BOLTED
HORIZONTAL ROOF FRAME
FOR



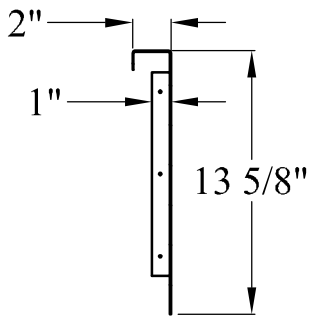
ENLIGHT "D" BOX
ALL "C" BOX UNITS



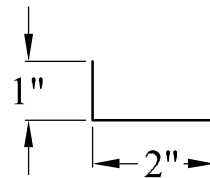
CURB SIDES
W/ OPENING - 75" X 18" -(x1)
W/ O OPENING - (x1)



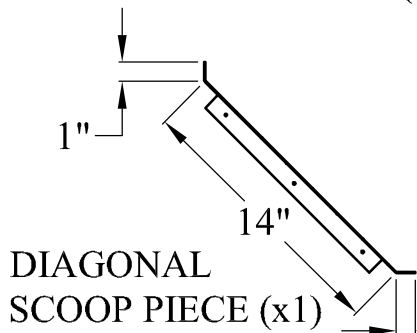
CURB ENDS (x2)



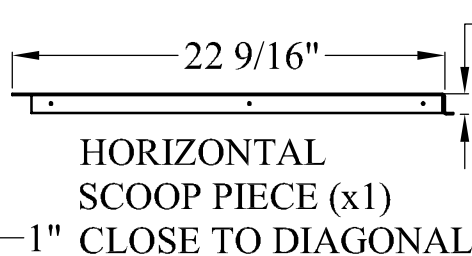
VERTI. SCOOP PIECE (x1)



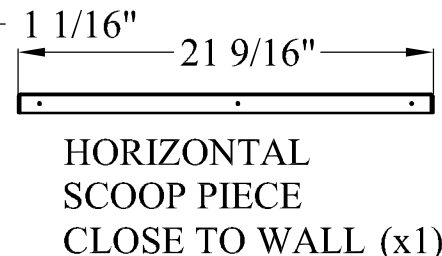
DUCT COLLARS
74 7/8" LONG- (x2)
17 7/8" LONG- (x2)



DIAGONAL
SCOOP PIECE (x1)



HORIZONTAL
SCOOP PIECE (x1)
CLOSE TO DIAGONAL



HORIZONTAL
SCOOP PIECE
CLOSE TO WALL (x1)



INSTALLATION INSTRUCTION FOR HORIZONTAL ROOF FRAME FOR



ENLIGHT "D" BOX
ALL "C" BOX UNITS

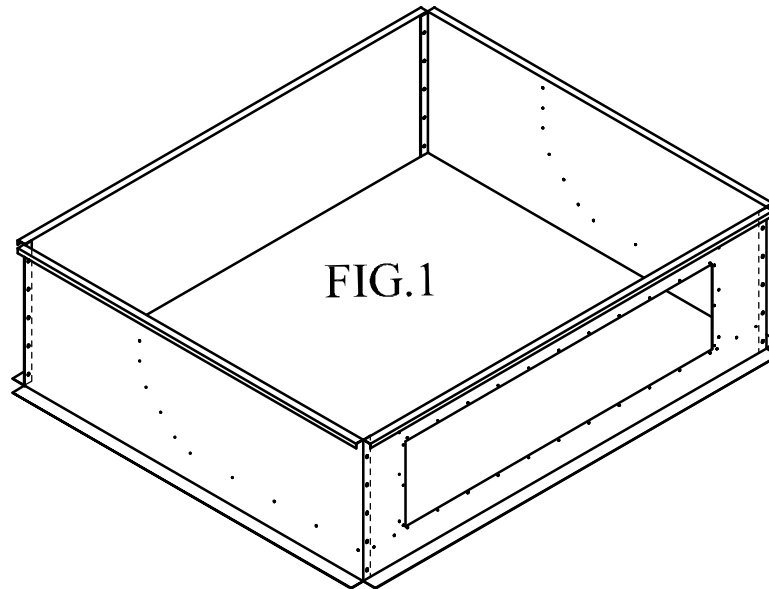


FIG.1

STEP #1 :- ASSEMBLE 2 SIDES & 2 ENDS WITH BOLTS PROVIDED KEEPING BOLT HEADS TO EXTERIOR OF CURB.

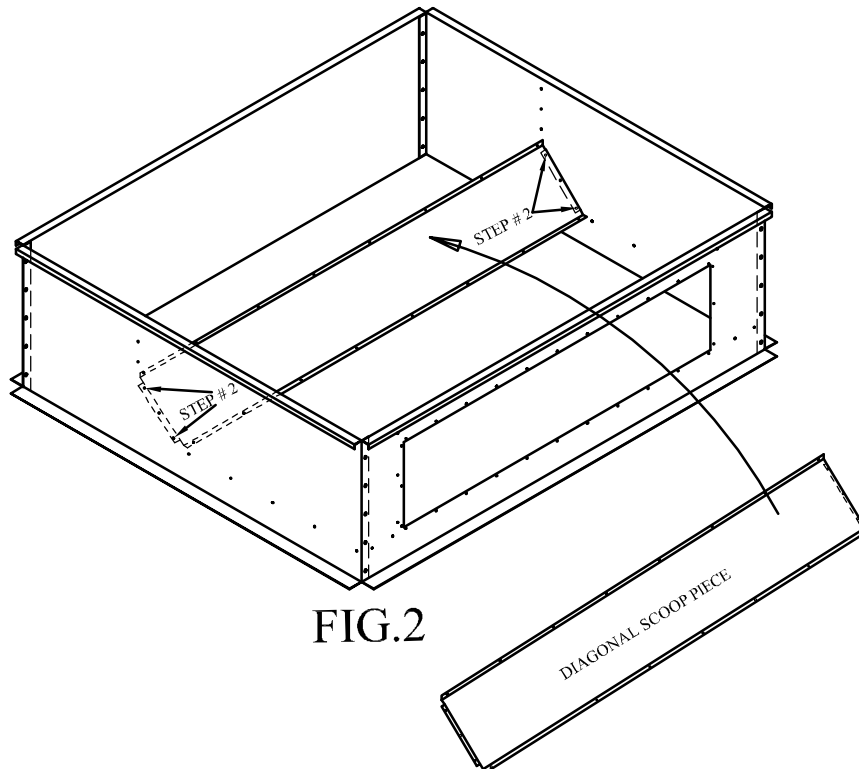


FIG.2

STEP #2 :- LINE UP THE HOLES ON THE DIAGONAL SCOOP PIECE WITH THOSE ON BOTH CURB SIDES AND USE #10 SCREWS TO SECURE SCOOP IN PLACE.



INSTALLATION INSTRUCTION FOR HORIZONTAL ROOF FRAME FOR



ENLIGHT "D" BOX ALL "C" BOX UNITS

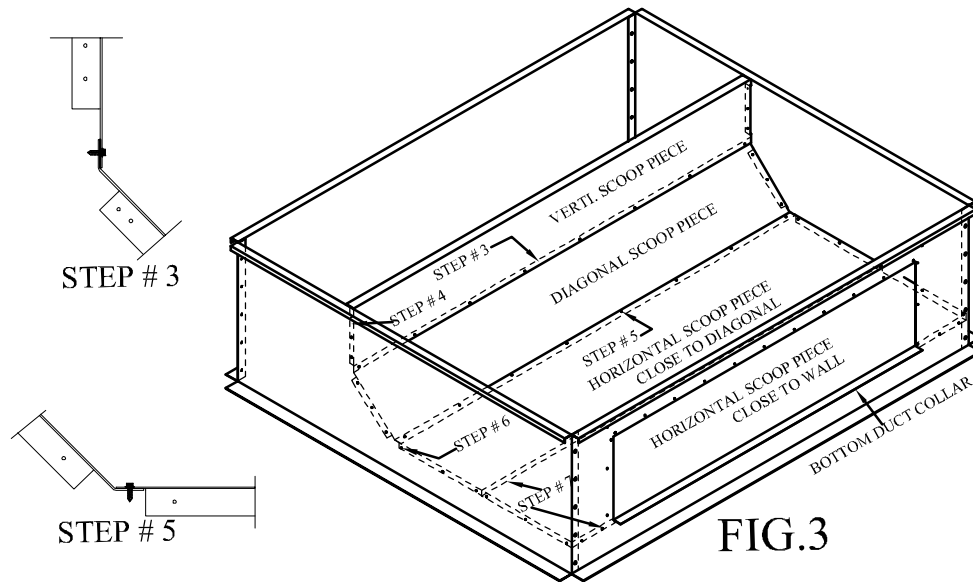


FIG.3

STEP #3 :- PLACE VERTI. SCOOP PIECE OVER THE FLANGE OF DIAGONAL SCOOP PIECE SO THAT #10 SCREW CLERANCE HOLES IN VERTICAL PIECE LINE UP WITH 1/8" SCREW HOLES IN DIAGONAL PIECE.

STEP #4:- USE #10 HOLES PROVIDED IN OUTSIDE WALLS TO SECURE VERTICAL PIECE FIRMLY IN PLACE. MAKE SURE THE FLANGES IN VERTICAL PIECE ARE FACING DOWN(FIG. 3)

STEP #5:- ALIGN #10 CLERANCE HOLES PROVIDED IN THE HORI. PIECE WITH 1/8" HOLES IN DIAGONAL PIECE FLANGE.

STEP #6:- LOCATE CORRESPONDING HOLES IN THE OUTSIDE WALLS AND SECURE HORI. PIECE IN PLACE. (FIG. 3)

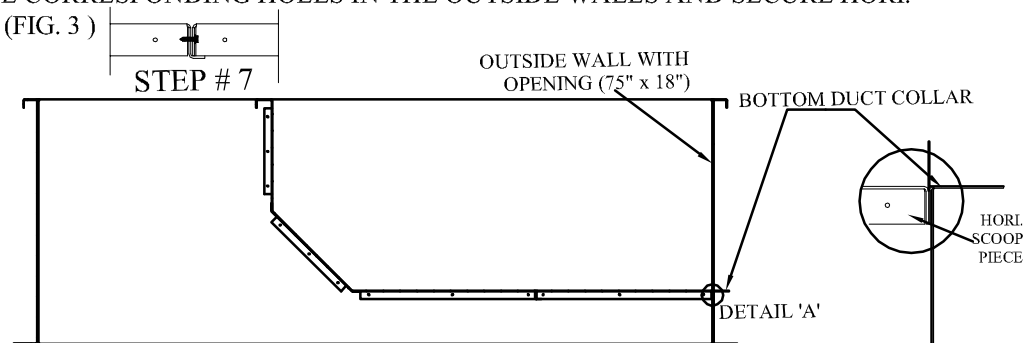


FIG.4

DETAIL 'A'

STEP #7:- ATTACH TWO HORIZONTAL SCOOP PIECES AS SHOWN IN STEP # 7 USING #10 SCREWS PROVIDED. REPEAT STEP # 6 TO LOCATE ALL THE CORRESPONDING HOLES IN THE OUTSIDE WALLS.

SLIDE BOTTOM DUCT COLLAR IN BETWEEN WALL (WITH OPENING-75" x 18") & HORI. SCOOP PIECE. SCREW ALL THREE PIECES TOGETHER. (DETAIL 'A').



INSTALLATION INSTRUCTION FOR
HORIZONTAL ROOF FRAME
FOR



ENLIGHT "D" BOX
ALL "C" BOX UNITS

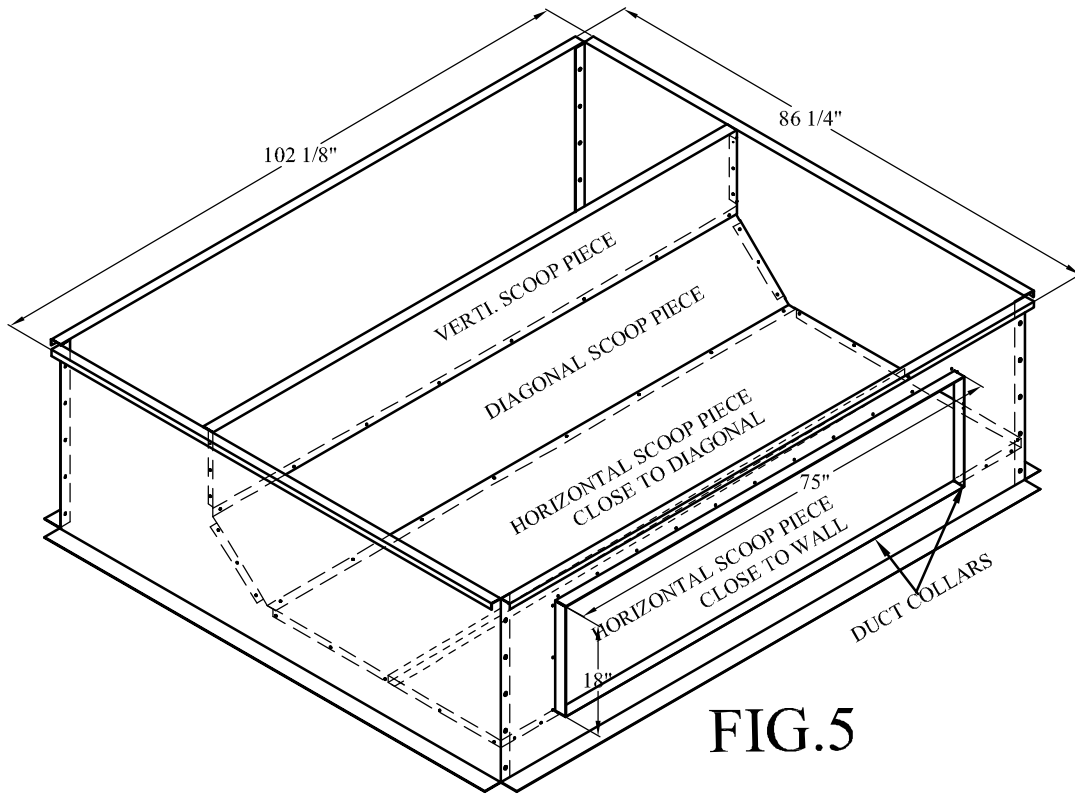


FIG.5

STEP #8:- INSTALL OTHER DUCT COLLAR PIECES. (SEE FIG. 5)