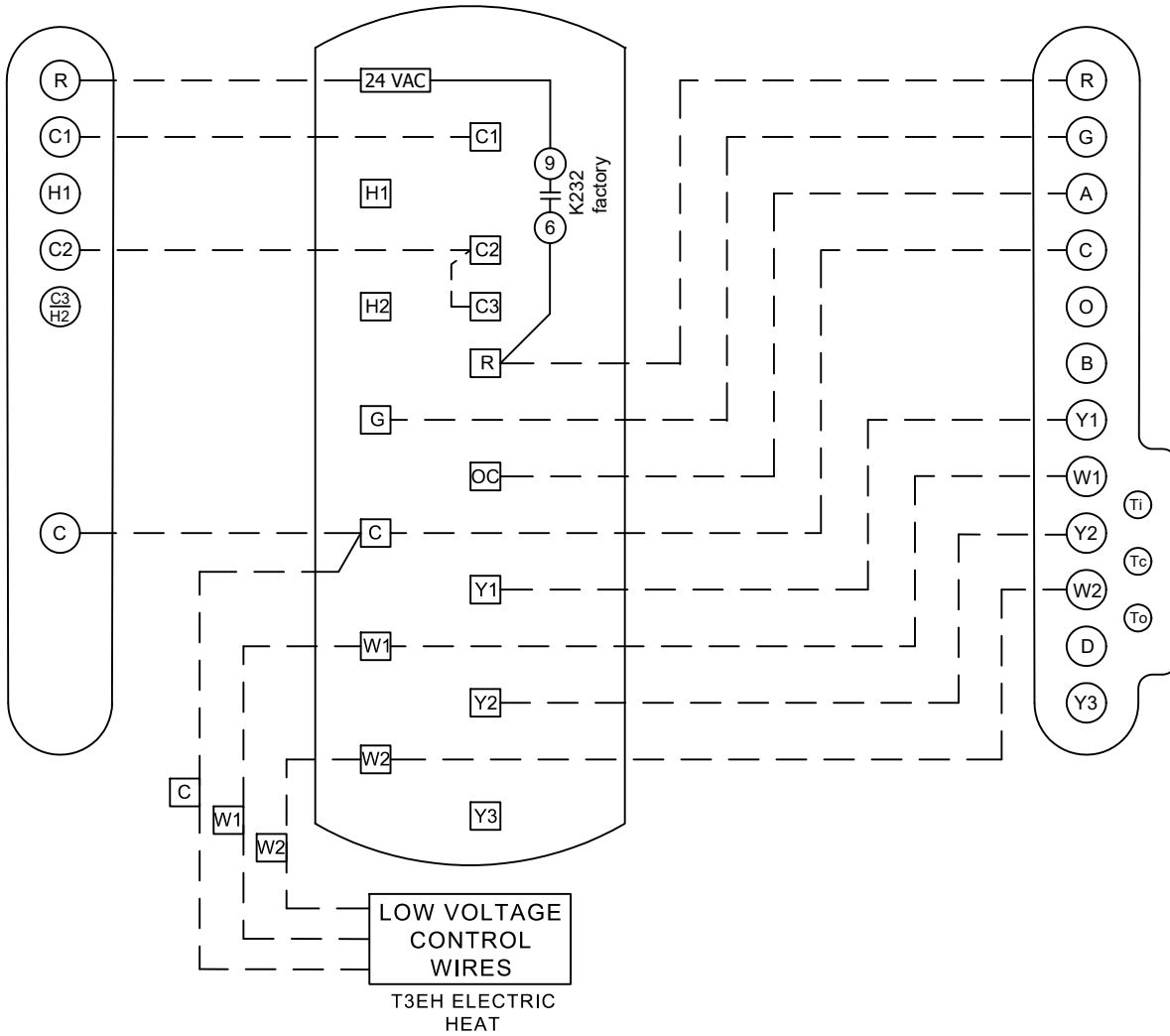


**OUTDOOR  
AIR CONDITIONER**  
(TB14) ⚠

**INDOOR  
AIR HANDLER**  
(TB1) ⚠


**THERMOSTAT**  
(A2) ⚠



WIRING DIAGRAM KEY NUMBERS

THERMOSTAT SUPPLIED BY USER

--- CLASS II FIELD WIRING

2022/09		WIRING DIAGRAM	09/22
		538311-01	
SPLIT SYSTEMS - 1 COMPRESSOR			
LABEL-WIRING DIAGRAM FIELD CONNECTION ELXA-ELXC			
SECTION C			REV. 0
Supersedes		New Form No. 538311-01	