

PACKAGED UNITS KITS AND ACCESSORIES

506560-01
4/2021
Supersedes 8/2010

RETURN AIR ADAPTER KIT

INSTALLATION INSTRUCTIONS FOR RETURN AIR ADAPTER KIT (54W96) USED WITH LG/LC/KG/KC/KH 092-150 UNITS

⚠ WARNING

This kit is to be installed by a licensed professional installer, or equivalent.

Shipping & Packing List

Package 1 of 1 contains the following:

- 1 - Return air adapter
- 2 - #10 sheet metal screws

Application

Return air adapter is used to reduce the size of the return air opening, when necessary, in LG/LC/KG/KC and KH 092-150 units.

Installation

⚠ CAUTION

As with any mechanical equipment, personal injury can result from contact with sharp sheet metal edges. Be careful when you handle this equipment.

Units without Fresh Air Accessories

- 1 - Remove three top screws and three bottom screws from fresh air access panel. Remove panel.

- 2 - Position adapter plate in return air opening as shown on label affixed to plate. Positioning label should face up. Secure plate using provided screw(s).

Units with Gravity Exhaust Damper and/or Power Exhaust Fan

NOTE - When installed, gravity exhaust damper and/or power exhaust fan must be removed in order to install return air adapter.

- 1 - Disconnect all electrical power to unit.
- 2 - If applicable, remove six screws which secure gravity exhaust hood to unit.
- 3 - Remove two screws which secure gravity exhaust damper to unit. Carefully, remove dampers from unit and set aside.
- 4 - Remove three screws which secure power exhaust fan to unit. Ease power exhaust fan assembly out of unit and disconnect PEF power harness.

NOTE - Power exhaust fan cannot be completely removed and set aside until it is unplugged.

- 5 - Position adapter plate in return air opening as shown below. Positioning label should face up. Secure plate using provided screw(s).
- 6 - Reinstall components in reverse order and restore electrical power to unit.

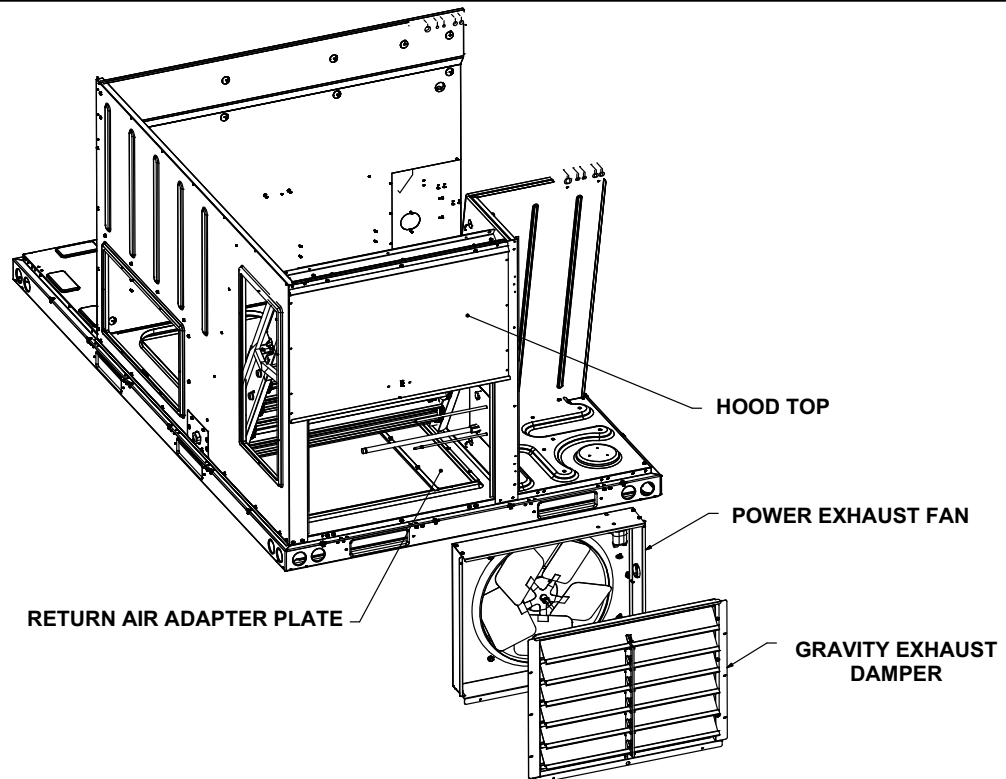


FIGURE 1

