



SUBMITTAL DATA – OUTDOOR
UNIT MPC036S4M-1P
MULTI-ZONE MINI-SPLIT HEAT PUMP

Job: _____
Location: _____
Schedule No.: _____
System Designation: _____

Engineer: _____
Architect: _____
Date: _____
For: Reference Approval Review Construction

FEATURES

Outdoor Unit: MPC036S4M-1P

Indoor Unit Options: Ducted OR Non-Ducted



- Defrost Control
- DC Inverter Control
- Base Pan Heater
- Crankcase Heater



Piping

Line Set and Elevation Guidelines

Maximum Number of Indoor Units/Zones	4
Liquid + Gas + Gas pipe (in.) flare	(4) 1/4 + (3) 3/8 + (1) 1/2
Maximum Pipe Length ft. (m)	262 ft. (80 m)
Maximum Line Set Length - Furthest Indoor Unit	115 ft. (35 m)
Maximum Elevation - Outdoor Unit Below/Above Indoor Unit ft. (m)	49 ft. (15m)
Pre-Charged (ft.)	98 ft.
Additional Charge of Refrigerant (oz/ft.)	0.16

PRODUCT WARRANTY

Compressor – Twelve year limited warranty*
 All other covered components - Twelve year limited warranty*
 *Product registration required

OPTIONAL ACCESSORIES

Non-Programmable Controller (M0STAT61Q-1)
 Programmable Controller (M0STAT64Q-2)
 Hail Guard Set (M9GARD22Q-1)



NOTE – Due to Lennox' ongoing commitment to quality, Specifications, Ratings, and Dimensions are subject to change without notice and without incurring liability. Improper installation, adjustment, alteration, service or maintenance can cause property damage or personal injury. Installation and service must be performed by a qualified installer and servicing agency.



SUBMITTAL DATA – OUTDOOR
UNIT **MPC036S4M-1P**
MULTI-ZONE MINI-SPLIT HEAT PUMP

OUTDOOR SPECIFICATIONS

PERFORMANCE

Cooling Capacity (Btu/h) ¹	Ducted	36,000
	Non-Ducted	36,000
EER2	Ducted	11.0
	Non-Ducted	11.7
SEER2	Ducted	20.0
	Non-Ducted	23.9
Heating Capacity (Btu/h) ¹	Ducted	37,000
	Non-Ducted	37,000
HSPF2	Ducted	9.2
	Non-Ducted	9.3
Outdoor Fan Total Air Volume (CFM)		2130
Ambient Temperature Operating Range		
Cooling		-13 - 122°F
Heating		-13 - 86°F

ELECTRICAL DATA

Power Supply (V/Hz/φ)	208-230/60/1
Minimum Circuit Ampacity (A)	30.0
Maximum Overcurrent Protection (A)	45.0
Outdoor Fan Motor RLA (A)	1.3
Compressor RLA (A)	19
No. of Compressors	1

GENERAL DATA

Connection Ratio (%)	66% to 133%
Max. # of Indoor Units	Up to 4 units
Sound Data (dBA) - Cooling/Heating	63/63
Refrigerant type	R-410A
Factory refrigerant charge	8 lbs. 6 oz.

DIMENSIONS

Unit Dimensions (in)	Height	31-7/8
	Width	40-3/4
	Depth	16-1/8
Shipping Weight (lb)		181
Net Weight (lb)		169

NOTES

- Cooling and Heating Capacity data is rated at the following conditions:
Cooling: 80°FDB / 67°FWB Indoor, 95°FDB Outdoor
Heating: 70°FDB Indoor, 47°FDB / 43°FWB Outdoor

NOTE – Due to Lennox' ongoing commitment to quality, Specifications, Ratings, and Dimensions are subject to change without notice and without incurring liability. Improper installation, adjustment, alteration, service or maintenance can cause property damage or personal injury. Installation and service must be performed by a qualified installer and servicing agency.

Multi-Zone System Combinations

NOTE - For multi-zone systems, the total capacity of all indoor units must be 66% to 133% of the outdoor unit capacity.

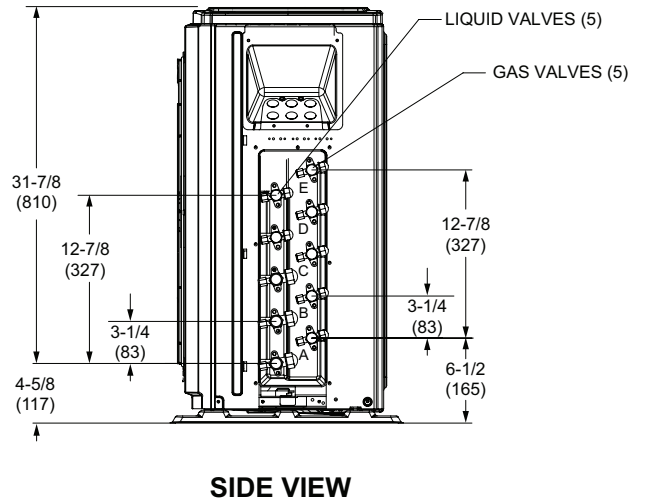
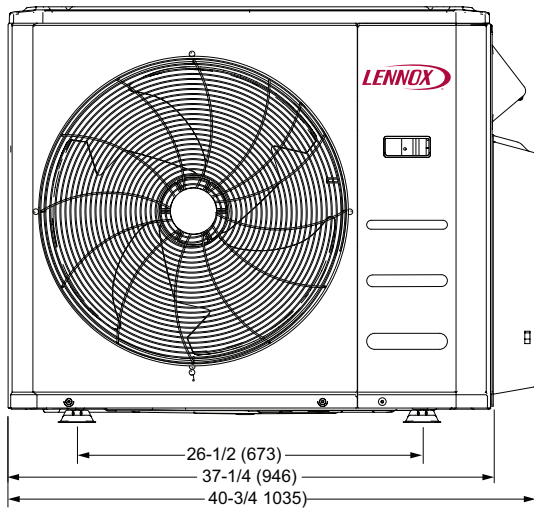
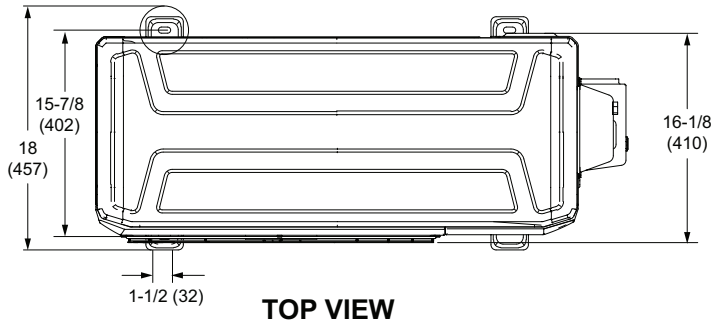
Outdoor Unit Model No.	Number of Zones	Indoor Unit Capacity					Nominal Cooling Capacity at Rated System Capacity (Btuh)					Nominal Heating Capacity at Rated System Capacity (Btuh)				
		#1	#2	#3	#4	#5	#1	#2	#3	#4	#5	#1	#2	#3	#4	#5
MPC036S4M	1	24K	--	---	--	---	22,000	--	---	--	---	23,000	--	---	--	---
		30K	--	---	--	---	26,000	--	---	--	---	27,000	--	---	--	---
	2	18K	6K	--	---	--	18,000	6,000	--	---	--	19,100	6,400	--	---	--
		24K	6K	--	---	--	22,000	6,000	--	---	--	24,200	6,100	--	---	--
		18K	9K	--	---	--	17,000	9,000	--	---	--	18,700	9,400	--	---	--
		24K	9K	--	---	--	21,000	8,000	--	---	--	23,300	8,800	--	---	--
		12K	12K	--	---	--	12,000	12,000	--	---	--	12,800	12,800	--	---	--
		18K	12K	--	---	--	17,000	11,000	--	---	--	18,200	12,100	--	---	--
		24K	12K	--	---	--	20,000	10,000	--	---	--	22,200	11,100	--	---	--
		18K	18K	--	---	--	15,000	15,000	--	---	--	16,600	16,600	--	---	--
		24K	18K	--	---	--	18,000	13,000	--	---	--	19,300	14,500	--	---	--
		24K	24K	--	---	--	15,000	15,000	--	---	--	15,700	15,700	--	---	--
	3	12K	6K	6K	--	---	12,900	6,500	6,500	--	---	13,600	6,800	6,800	--	---
		18K	6K	6K	--	---	18,000	6,000	6,000	--	---	18,900	6,300	6,300	--	---
		24K	6K	6K	--	---	22,000	5,500	5,500	--	---	23,200	5,800	5,800	--	---
		12K	9K	6K	--	---	12,500	9,300	6,200	--	---	13,100	9,800	6,600	--	---
		18K	9K	6K	--	---	17,200	8,600	5,700	--	---	18,100	9,100	6,100	--	---
		24K	9K	6K	--	---	21,100	7,900	5,300	--	---	22,200	8,400	5,600	--	---
		12K	12K	6K	--	---	12,000	12,000	6,000	--	---	12,600	12,600	6,300	--	---
		18K	12K	6K	--	---	16,500	11,000	5,500	--	---	17,400	11,600	5,800	--	---
		24K	12K	6K	--	---	20,100	10,000	5,000	--	---	21,200	10,600	5,300	--	---
		18K	18K	6K	--	---	15,100	15,100	5,000	--	---	15,900	15,900	5,300	--	---
		24K	18K	6K	--	---	18,100	13,600	4,500	--	---	19,200	14,400	4,800	--	---
		9K	9K	9K	--	---	9,300	9,300	9,300	--	---	9,800	9,800	9,800	--	---
		12K	9K	9K	--	---	12,000	9,000	9,000	--	---	12,600	9,500	9,500	--	---
		18K	9K	9K	--	---	16,500	8,300	8,300	--	---	17,400	8,700	8,700	--	---
		24K	9K	9K	--	---	20,100	7,500	7,500	--	---	21,200	8,000	8,000	--	---
		12K	12K	9K	--	---	11,500	11,500	8,600	--	---	12,100	12,100	9,100	--	---
		18K	12K	9K	--	---	15,800	10,500	7,900	--	---	16,700	11,100	8,400	--	---
		24K	12K	9K	--	---	19,100	9,600	7,200	--	---	20,200	10,100	7,600	--	---
	18K	18K	9K	--	---	14,300	14,300	7,200	--	---	15,200	15,200	7,600	--	---	
	12K	12K	12K	--	---	11,000	11,000	11,000	--	---	11,600	11,600	11,600	--	---	
	18K	12K	12K	--	---	15,100	10,000	10,000	--	---	15,900	10,600	10,600	--	---	
	24K	12K	12K	--	---	18,100	9,100	9,100	--	---	19,200	9,600	9,600	--	---	
	18K	18K	12K	--	---	13,600	13,600	9,100	--	---	14,400	14,400	9,600	--	---	
	4	6K	6K	6K	6K	--	7,200	7,200	7,200	7,200	--	7,700	7,700	7,700	7,700	--
		9K	6K	6K	6K	--	10,400	6,900	6,900	6,900	--	11,000	7,400	7,400	7,400	--
		12K	6K	6K	6K	--	13,200	6,600	6,600	6,600	--	14,000	7,000	7,000	7,000	--
		18K	6K	6K	6K	--	17,900	6,000	6,000	6,000	--	19,000	6,400	6,400	6,400	--
		24K	6K	6K	6K	--	21,400	5,300	5,300	5,300	--	22,600	5,700	5,700	5,700	--
		9K	9K	6K	6K	--	9,900	9,900	6,600	6,600	--	10,500	10,500	7,000	7,000	--
		12K	9K	6K	6K	--	12,600	9,400	6,300	6,300	--	13,300	10,000	6,700	6,700	--
		18K	9K	6K	6K	--	17,000	8,500	5,700	5,700	--	18,000	9,000	6,000	6,000	--
		24K	9K	6K	6K	--	20,100	7,500	5,000	5,000	--	21,200	8,000	5,300	5,300	--
		12K	12K	6K	6K	--	12,000	12,000	6,000	6,000	--	12,700	12,700	6,400	6,400	--
		18K	12K	6K	6K	--	16,000	10,700	5,300	5,300	--	17,000	11,300	5,700	5,700	--
		24K	12K	6K	6K	--	18,900	9,400	4,700	4,700	--	19,900	10,000	5,000	5,000	--
		9K	9K	9K	6K	--	9,400	9,400	9,400	6,300	--	10,000	10,000	10,000	6,700	--
		12K	9K	9K	6K	--	12,000	9,000	9,000	6,000	--	12,700	9,500	9,500	6,400	--
		18K	9K	9K	6K	--	16,000	8,000	8,000	5,300	--	17,000	8,500	8,500	5,700	--
24K		9K	9K	6K	--	18,900	7,100	7,100	4,700	--	19,900	7,500	7,500	5,000	--	
12K		12K	9K	6K	--	11,300	11,300	8,500	5,700	--	12,000	12,000	9,000	6,000	--	
18K		12K	9K	6K	--	15,100	10,100	7,500	5,000	--	15,900	10,600	8,000	5,300	--	
12K		12K	12K	6K	--	10,700	10,700	10,700	5,300	--	11,300	11,300	11,300	5,700	--	
18K		12K	12K	6K	--	14,100	9,400	9,400	4,700	--	14,900	10,000	10,000	5,000	--	
9K	9K	9K	9K	--	9,000	9,000	9,000	9,000	--	9,500	9,500	9,500	9,500	--		
12K	9K	9K	9K	--	11,300	8,500	8,500	8,500	--	12,000	9,000	9,000	9,000	--		
18K	9K	9K	9K	--	15,100	7,500	7,500	7,500	--	15,900	8,000	8,000	8,000	--		
12K	12K	9K	9K	--	10,700	10,700	8,000	8,000	--	11,300	11,300	8,500	8,500	--		
18K	12K	9K	9K	--	14,100	9,400	7,100	7,100	--	14,900	10,000	7,500	7,500	--		
12K	12K	12K	9K	--	10,100	10,100	10,100	7,500	--	10,600	10,600	10,600	8,000	--		
12K	12K	12K	12K	--	9,400	9,400	9,400	9,400	--	10,000	10,000	10,000	10,000	--		

NOTE – Due to Lennox' ongoing commitment to quality, Specifications, Ratings, and Dimensions are subject to change without notice and without incurring liability. Improper installation, adjustment, alteration, service or maintenance can cause property damage or personal injury. Installation and service must be performed by a qualified installer and servicing agency.
495936 (202306) ©2023 Lennox Industries, Inc.



SUBMITTAL DATA – OUTDOOR
 UNIT MPC036S4M-1P
 MULTI-ZONE MINI-SPLIT HEAT PUMP

OUTDOOR DIMENSIONAL DRAWINGS - INCHES (MM)



NOTE – Due to Lennox' ongoing commitment to quality, Specifications, Ratings, and Dimensions are subject to change without notice and without incurring liability. Improper installation, adjustment, alteration, service or maintenance can cause property damage or personal injury. Installation and service must be performed by a qualified installer and servicing agency.