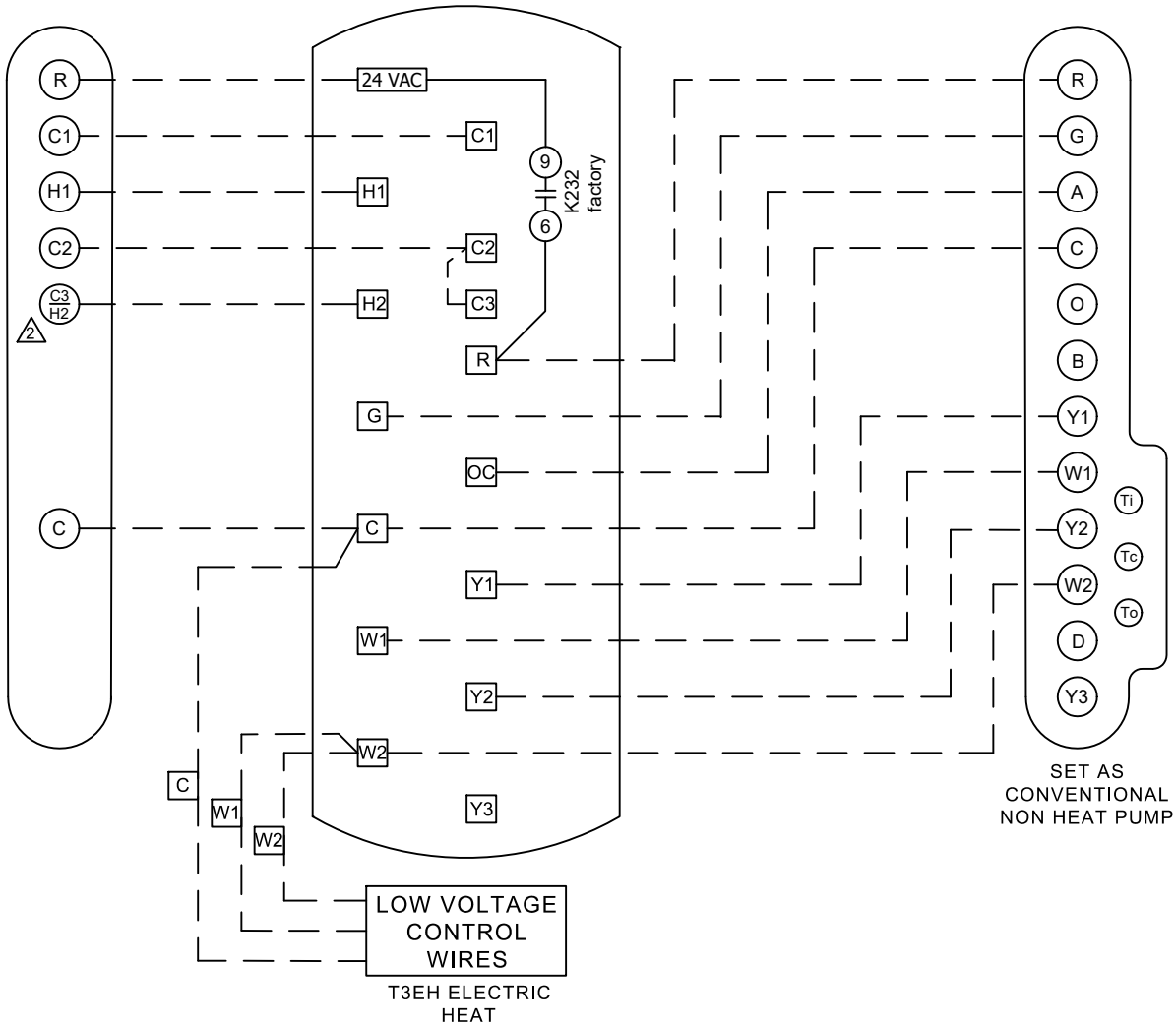


**OUTDOOR
HEAT PUMP**
(TB14) ⚠


**INDOOR
AIR HANDLER**
(TB1) ⚠

THERMOSTAT
(A2) ⚠



SET AS
CONVENTIONAL
NON HEAT PUMP

- ⚠ WIRING DIAGRAM KEY NUMBERS
- ⚠ C3
H2 24V OUTPUT FOR AUX. HEAT ACTIVE DURING OUTDOOR HEAT PUMP DEFROST CYCLE
- — — THERMOSTAT SUPPLIED BY USER
- — — CLASS II FIELD WIRING

	WIRING DIAGRAM	09/22
	538313-01	
SPLIT SYSTEMS - HEAT PUMP		
LABEL-WIRING DIAGRAM FIELD CONNECTION ELXA-ELXP		
SECTION C		REV. 0
Supersedes	New Form No. 538313-01	