

# GAS KITS AND ACCESSORIES

507941-01  
5/2019

## GAS CHANGEOVER KIT

### INSTALLATION INSTRUCTIONS FOR REGULATED LP/PROPANE TO NATURAL GAS CHANGEOVER AND HIGH ALTITUDE KIT USED WITH UHRS/LF25-30, 45, 60, 75, 90 AND 105KBtuh UNIT HEATERS

#### **WARNING**

**WARNING** - This conversion kit is to be installed by a qualified service technician or other qualified agency in accordance with the manufacturer's instructions, all codes and requirements of the authority having jurisdiction in the USA or Canada. If the information in these instructions is not followed exactly, a fire or explosion may result causing property damage, personal injury or loss of life. The qualified agency performing this work assumes responsibility for this conversion.

#### **Shipping and Packing List**

##### Package 1 of 1 contains:

- 7 - Burner orifices
- 1- White Rodgers 36G series gas valve conversion kit
- 1- White Rodgers 36G measuring adapter kit
- 2- Unit conversion stickers (3 in 18L15)

#### **Application**

The regulated LP/propane to natural gas changeover and high altitude kit is for use on UHRS/LF25-30/45/60/75/90/105 compact unit heaters equipped with the White Rodgers 36G series gas valve. See table 1 for kit application.

**TABLE 1  
KIT APPLICATION**

Cat. No.	Assembly	Altitude - Feet (Meters)	Orifice Size
18L15	617169-01	US: 0-5000 (0-1524)	1.88
		Canada: 0-7500 (0-2286)	
19A17	617169-04	US: 5001-7000 (1524-2134)	#50
		Canada: 7501-9500 (2286-2896)	
19A18	617169-05	US: 7001-10000 (2134-3048)	#52

#### **Installation**

- 1 - Set thermostat to lowest setting. The gas supply must be shut off prior to disconnecting the electrical power and proceeding with the conversion.
- 2 - Move the gas valve lever/switch to OFF position.

#### **CAUTION**

As with any mechanical equipment, personal injury can result from contact with sharp sheet metal edges. Be careful when you handle this equipment.

- 3 - Disconnect gas supply at gas valve.
- 4 - Disconnect wiring at gas valve and S43 low line pressure switch.
- 5 - Remove four screws on the gas manifold assembly which hold the assembly to the burner box. See figure 1.
- 6 - Remove the low line pressure switch, nipples, elbow, and brass adapter fittings attached to the gas valve inlet. See figure 2.
- 7 - Remove existing burner orifices. Install new orifices in manifold.
- 8 - Install gas valve conversion kit. Refer to manufacturer's instruction packed in valve conversion kit. See figure 3.
- 9 - Re-install manifold assembly.
- 10 - Connect gas supply to gas valve. Connect wiring to gas valve as shown in figure 4.

#### **WARNING**

Improper installation, adjustment, alteration, service or maintenance can cause property damage, personal injury or loss of life. Installation and service must be performed by a licensed professional installer (or equivalent), service agency or the gas supplier.



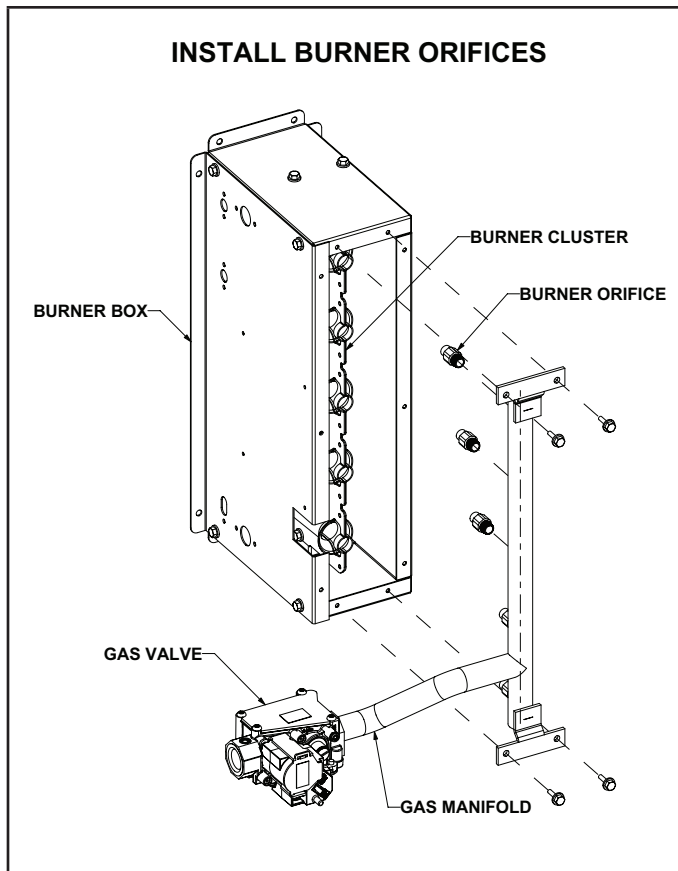


Figure 1

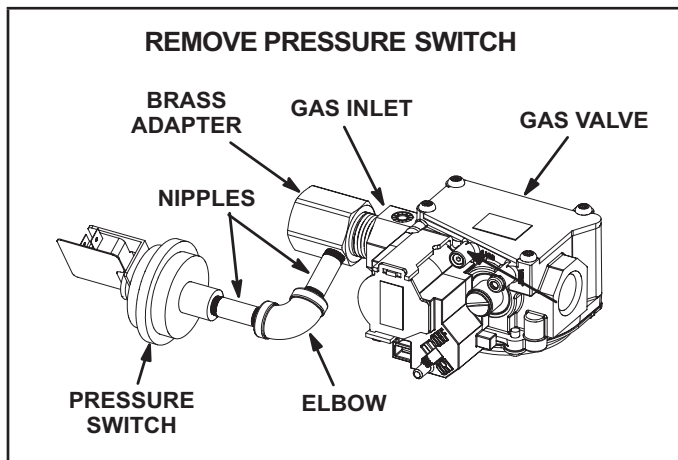


Figure 2

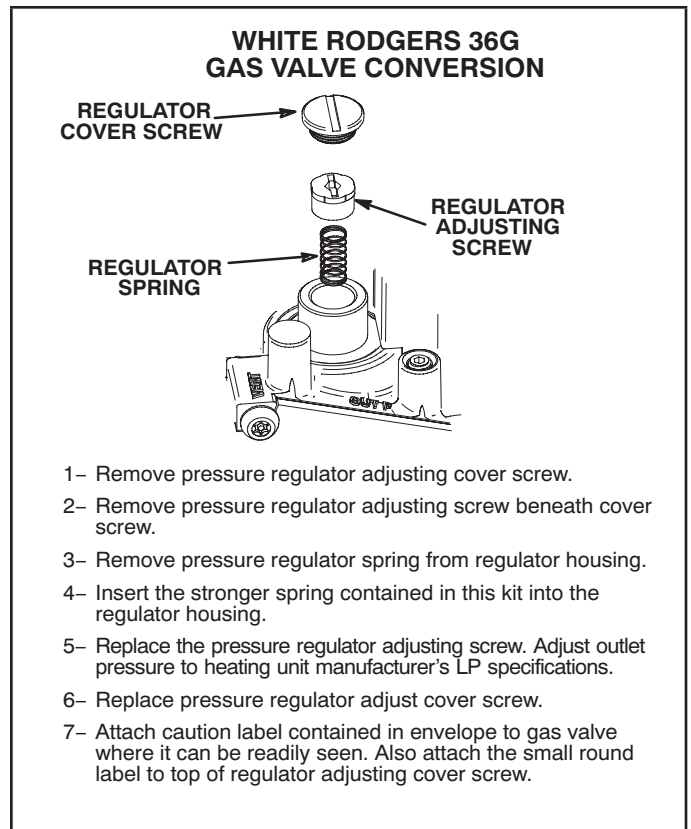


Figure 3

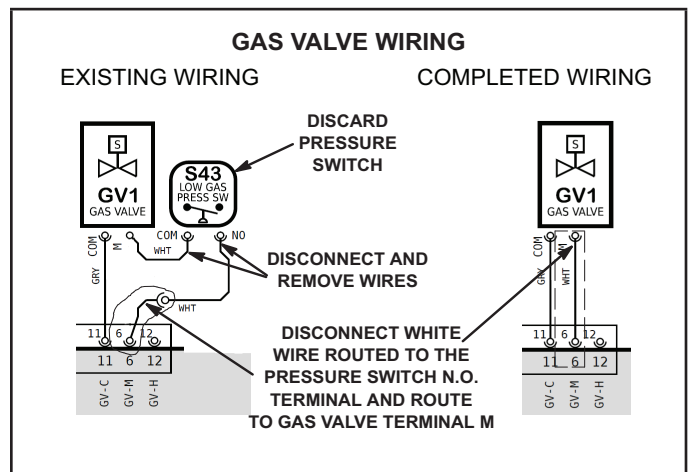


Figure 4

**IMPORTANT** - Carefully check all piping connections. **DO NOT** use matches, candles, open flame or other means of ignition to check for gas leaks. Use a soap solution or other preferred means.

## ⚠ CAUTION

Some soaps used for leak detection are corrosive to certain metals. Carefully rinse piping thoroughly after leak test has been completed. Do not use matches, candles, flame or other sources of ignition to check for gas leaks.

## Start-Up and Adjustment

BEFORE LIGHTING, smell all around the appliance area for gas. Be sure to smell next to the floor because some gas is heavier than air and will settle on the floor.

Use only your hand to move the lever/switch. Never use tools. If the lever/switch will not move by hand, do not try to repair it, call a qualified service technician. Force or attempted repair may result in a fire or explosion.

### A - Placing Unit In Operation:

**IMPORTANT** - Follow the lighting instructions provided on the unit. If lighting instructions are not available, see section below.

UHRS/LF25-30, 45, 60, 75, 90, 105 compact unit heaters are equipped with an automatic spark ignition system. DO NOT attempt to manually light burners on these unit heaters. Each time thermostat calls for heat, the burners will automatically be lit.

- 1 - Make sure thermostat is set below room temperature and power is turned off to unit.
- 2 - This appliance is equipped with an ignition device which automatically lights the burners. DO NOT try to light the burners by hand.
- 3 - Move the gas valve lever/switch to OFF. Do not force.
- 4 - Wait 15 minutes to clear out any gas. If you then smell gas, immediately call your gas supplier from an outside phone. Follow the gas supplier's instructions. If you do not smell gas go to next step.
- 5 - Move the gas valve lever/switch to ON.
- 6 - Turn on all electrical power to unit.
- 7 - Set thermostat to desired setting.

**NOTE** - When unit is initially started, steps 1 through 7 may need to be repeated to purge air from gas line.

### B - Gas Pressure Adjustment

- 1 - Check gas line supply pressure with unit firing at maximum rate. A minimum of 5.0" w.c. should be maintained.
- 2 - After gas line pressure has been checked and adjusted, check manifold pressure at the pressure tap on the outlet side of the gas valve. The correct manifold pressure is given in table 2 or 3. Refer to figure 3 for gas manifold pressure adjustment screw location.

## C-High Altitude Adjustments

### Canada Only

In Canada, units may be fired at full input up to 2000 feet (610m) above sea level. From 2000 feet (610m) to 4500 feet (1372m), the manifold pressure must be adjusted. See table 2 for pressure adjustments.

Certification for installation at altitudes over 4500 feet (1372m) above sea level is the jurisdiction of local authorities. The manufacturer recommends derating four percent per 1000 feet above 4,500 feet. Refer to table 2.

### USA Only

In the US, units may be fired at full input up to 2000 feet (610m) above sea level. Above 2000 feet (610m), unit must be derated by four percent per 1000 feet for installations above 2000 feet. The derate may be accomplished by adjusting the manifold pressure. See table 3.

**TABLE 2**  
**CANADA - NATURAL GAS MANIFOLD PRESSURES\***  
[inch w.g. (kPa)]

Altitude in Feet (Meters)						
<b>0-2000</b> (0-610)	<b>2001-4500</b> (610-1372)	<b>4501-5500</b> (1372-1676)	<b>5501-6500</b> (1677-2012)	<b>6501-7500</b> (2012-2286)	<b>7501-8500</b> (2286-2591)	<b>8501-9500</b> (2591-2896)
3.5 (0.87)	3.3 (0.82)	3.0 (0.75)	2.8 (0.70)	2.5 (0.62)	3.0 (0.75)	2.7 (0.67)
1.88					#50	
Orifice Size						

\*Using appropriate kit shown in table 1.

**TABLE 3**  
**US - NATURAL GAS MANIFOLD PRESSURES\***  
[inch w.g. (kPa)]

Altitude in Feet (Meters)								
<b>0-2000</b> (0-610)	<b>2001-3000</b> (610-914)	<b>3001-4000</b> (915-1219)	<b>4001-5000</b> (1220-1524)	<b>5001-6000</b> (1524-1829)	<b>6001-7000</b> (1829-2134)	<b>7001-8000</b> (2134-2438)	<b>8001-9000</b> (2439-2743)	<b>9001-10000</b> (2744-3048)
3.5 (0.87)	3.1 (0.77)	2.9 (0.72)	2.6 (0.65)	3.0 (0.75)	2.7 (0.67)	3.5 (0.87)	3.1 (0.77)	2.8 (0.70)
1.88				#50		#52		
Orifice Size								

\*Using appropriate kit shown in table 1.

## D - Burner

Start burner and allow to operate for a few minutes. Observe flame. Flame should be predominantly blue (with some yellow), strong and steady. Flame should burn continuously from all burners.

## E - Means To Verify Gas Rate

Input must not exceed amount shown on unit rating plate. In cases where gas is not metered, the service technician performing the conversion will need to supply the meter. Input may then be checked by the following method:

The utility company gas distributor may be contacted for the heating value of the gas. All other appliances should be shut off during the input check.

Locate meter just upstream in regulated pressure (5.0" w.c. to 13.0" w.c.). To check the Btu input rate, the dial hand on the gas meter should be timed for at least one revolution, using the one cubic foot dial. To assure accurate measurements, use temperature and pressure correction factors for the meter.

To determine the number of seconds required for the flow of one cubic foot of gas, use the following formula:

$$\frac{\text{(BTUH CONTENT)} \\ \text{HEATING VALUE OF GAS X 3600}}{\text{UNIT BTUH INPUT}}$$

Example:      1000 BTU gas  
                    Unit input 45,000 BTUH

Seconds for one cubic foot =

$$\frac{1000 \times 3600}{45,000} = 80 \text{ seconds}$$

## F - Ignition System

Check the normal operation sequence of the ignition system after conversion. See instruction manual supplied with the unit.

## G - Affix Stickers

- 1 - Once manifold adjustments are done, record the setting on the conversion label (if not already printed). Use the appropriate conversion label for the high altitude application.
- 2 - Attach the conversion label next to the nameplate.
- 3 - Fill out and apply the installer label next to the unit nameplate.