



©2021 Lennox Industries Inc.
Dallas, Texas, USA

This manual must be left with the owner for future reference.

Shipping and Packing List

Package 1 of 1 contains;

- 1 – Wireless Controller
- 2 – AAA batteries
- 1 – Remote controller holder with mounting screw

USER GUIDE

Lennox Mini-Split Systems Wireless Indoor Unit Controller (22U52)

CONTROLS

508184-01
10/2021

IMPORTANT!

Frequent changes to operating mode may cause system malfunction. Allow at least one minute between mode changes to allow the system to stabilize.

General

The mini-split wireless controller model RG10A-CSWHB is a wireless local controller for Lennox mini-split indoor unit model M33C only.

Requirements

Using the remote controller

- Point the remote controller directly at the indoor unit.
- Stand within 26 feet (8 meters) of the indoor unit.
- Do not block the signal between the remote controller and indoor unit.

NOTE: *The remote controller will not function without a clear line of sight to the indoor unit.*

- Do not submerge the remote controller in liquid.
- Do not expose to direct sunlight.
- Do not drop or step on remote controller.
- Ensure that the remote controller is pointed directly at the indoor unit. If the remote controller is pointed directly toward the ceiling, it will not control the indoor unit (except cassette units if installed directly above the holder).

Specifications

Table 1. Specifications

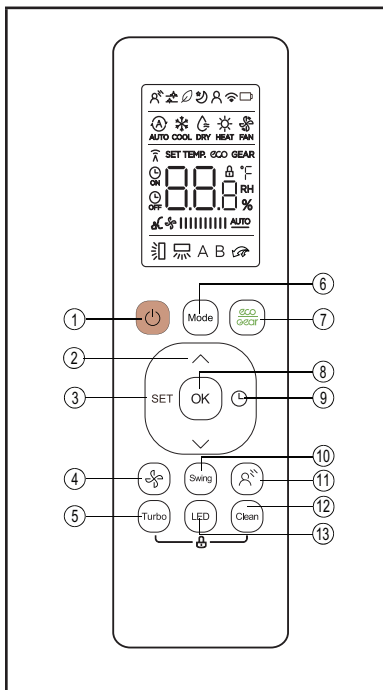
| | |
|---------------------------------------|--------------------------------------|
| Rated voltage | 3.0 VDC - (2 AAA batteries included) |
| Min voltage for sending signal to CPU | 2.4 VDC |
| Effective transmitting distance | 26 feet (8 meters) |
| Operation conditions | 23°F to 140°F (-5 to 60°C) |

Overview

Furnished with Wall-Mount, Cassette, Floor Console and Ceiling/Floor Indoor Units.

- Complete remote control of system
- Wireless remote controller holder furnished
- Holder can be mounted on a wall for easy access
- Mounting screws furnished

Wireless Remote Controller Button Functions



1. ON/OFF Button

Turns system on and off



2. UP/DOWN Buttons ^ v

Increase or decrease the indoor temperature in one degree increments (maximum 86°F, minimum 62°F)

NOTE: Temperature cannot be adjusted in FAN mode.

NOTE: Press and hold both buttons for three seconds to alternate the temperature display between the °C and °F scale.

3. SET Button

- Scrolls through unit operations in this order:
 1. Sleep 
 2. Follow Me 
- The selected symbol will flash on the display area, press the **OK** button to confirm.

4. FAN Button

- Cycles fan speeds in the following order:
- AUTO - 20% - 40% - 60% - 80% - 100%

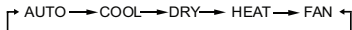
NOTE: *Holding Fan button down for 2 seconds will activate Silence feature.*

5. TURBO Button

Enables the unit to reach the preset temperature during cooling or heating operation in the shortest time.

6. MODE Button

- Select system operation modes
- Press button to cycle through each setting



7. ECO/GEAR Button

Controls temperature/energy efficiency of the unit

NOTE: *Only available in cooling mode.*

ECO Operation

- Sets unit to 75°F unit operation if setpoint is lower
- Sets fan to Auto operation if setpoint is over 75°F

NOTE: *If setpoint is manually changed to less than 75°F, ECO operation is canceled.*

GEAR Operation

Reduces electrical consumption to 75% or 50%OK Button

8. OK Button

Confirms selected function

9. TIMER Button

- Initiates an auto-on or auto-off time sequence
- Press **TIMER** button to initiate the ON time sequence
- Press the **UP/DOWN** buttons multiple times to set the desired time to turn on the unit
- Press **TIMER** button to initiate the off time sequence.

NOTE: Each press of the button increases or decreases the time (depending on function) in 30 minute increments up to 10 hours.

Above 10 hours each press of the button will increase or decrease the auto-timed setting by 60 minutes up to 24 hours.

To cancel, set timer to 0.0 or turn remote off and on.

NOTE: Press and hold the button for five seconds to display the actual room temperature. Press more than five seconds to revert back to display set temperature.

10. SWING Button

Used to stop or start louver auto swing feature.

11. BREEZE AWAY Button

Prevents unit from blowing air directly on a person

NOTE: Only available in COOL, FAN or DRY modes.

12. CLEAN Button

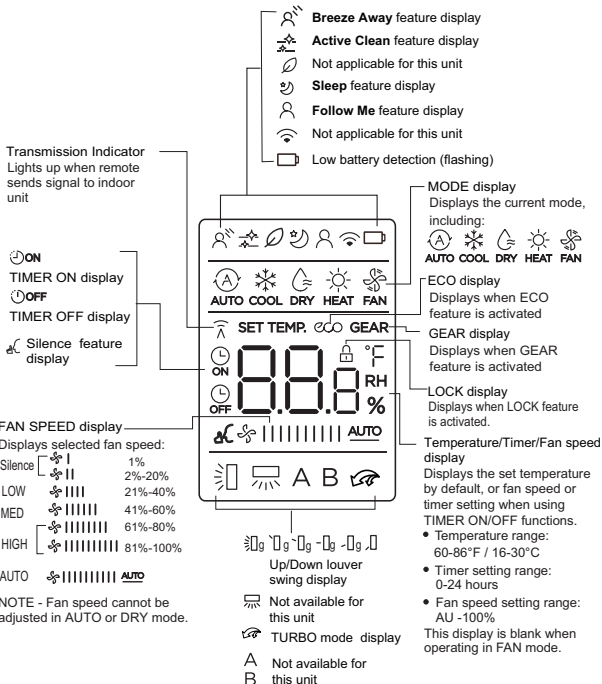
Start/stop the Self Clean function (certain models).

13. LED Button

Turns the LCD display backlight on the indoor unit on or off

Wireless Remote Controller Screen Indicators

Information is displayed when the Wireless Remote Controller is powered on.



Wireless Remote Controller Operation

Auto Operation

- a. Press the **MODE** button to select Auto.
- b. Press the **UP/DOWN** button to set the desired temperature.
- c. Press the **ON/OFF** button to start the air conditioner.

Cooling /Heating/Fan Operation

- a. Press the **MODE** button to select COOL, HEAT or FAN mode.
- b. Press the **UP/DOWN** buttons to set the desired temperature.
- c. Press the **FAN** button to select the fan speed in four steps which are Auto, Low, Med or High.
- d. Press the **ON/OFF** button to start the air conditioner.

Dehumidifying Operation

- a. Press the **MODE** button to select **DRY** mode.
- b. Press the **UP/DOWN** buttons to set the desired temperature.

- c. Press the **ON/OFF** button to start the air conditioner.

Timer ON/OFF Operation

- a. Press the **TIMER** button. The remote controller shows *TIMER ON* or *TIMER OFF* icon
- b. Press the **TIMER** button again to set desired time. Each time you press the button, the time increases by 30 minutes between 0 and 10 hours and by 60 minutes between 10 and 24 hours.
- c. After setting the **TIMER ON** or **TIMER OFF** there will be a one second delay before the remote controller transmits the signal to the unit. After approximately two seconds the set temperature will re-appear on the LCD display window.

Silence Operation

Press the **FAN** button for more than two seconds to activate or disable the Silence function

Lock Function

- a. Press the **TURBO** and **CLEAN** buttons together two times in less than one second to lock the Controller to prevent tampering
- b. Press the **TURBO** and **CLEAN** together buttons again for two seconds to unlock the wireless remote controller

Swing Function

Press the **Swing** button to activate parallel louver operation. Louvers oscillate up and down automatically. Press and hold the Swing button again to disable.

NOTE: *Pressing the **Swing** button multiple times will set the louvers at five different fixed air-flow angles.*

Wireless Remote Controller Set Button Function

Sleep

- Enables the system to automatically increase cooling or decrease heating (in 2°F increments) per hour for the first two hours, then maintain a steady temperature for five hours
- System reverts back to previous operation mode after seven total hours of operation
- NOTE:** *To cancel, push the **MODE**, **FAN SPEED** or **ON/OFF** buttons.*
***SLEEP** mode is only available when the unit is in **COOL**, **HEAT** or **AUTO** mode*

Follow Me

Allows remote temperature sensing of the room at the remote controller location.

Clean Function

Active Clean

- Washes away dust, mold, and grease that may cause odors when it adheres to the indoor coil by automatically freezing and then rapidly thawing the coil
- Indoor unit displays “CL”
- After 20 to 45 minutes the unit will automatically turn cancel the operation

NOTE: *Only available in **COOL** or **DRY** modes.*