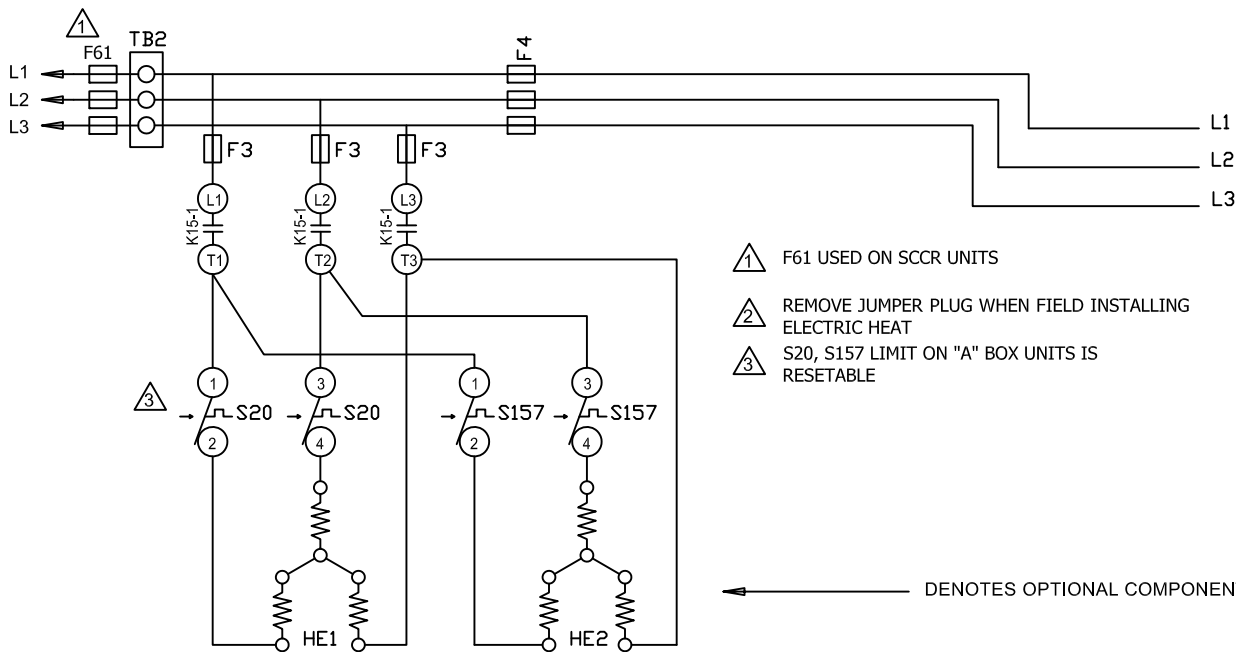



DESCRIPTION	
KEY	DESCRIPTION
A55	PANEL, MAIN
F3	FUSE, ELECTRIC HEAT
F4	FUSE, UNIT
F61	FUSE, UNIT - SCCR
HE -1	ELEMENT, ELECTRIC HEAT 1
J2	JACK, ELECTRIC HEAT
K15,-1	CONTACTOR, ELECTRIC HEAT 1
P2	PLUG, ELECTRIC HEAT
P393	PLUG, ELECTRIC HEAT CONTROL
S15	SWITCH, LIMIT PRIMARY ELECTRIC HEAT
S20	SWITCH, LIMIT SECONDARY ELECTRIC HEAT 1
S157	SWITCH, LIMIT SECONDARY ELECTRIC HEAT 2
TB2	TERMINAL STRIP, UNIT



- ⚠ F61 USED ON SCCR UNITS
- ⚠ REMOVE JUMPER PLUG WHEN FIELD INSTALLING ELECTRIC HEAT
- ⚠ S20, S157 LIMIT ON "A" BOX UNITS IS RESETTABLE

← DENOTES OPTIONAL COMPONENTS

072	060	036 - 048	KW	HE1	HE2
			7.5	7.5	
			15	15	
			22.5	15	7.5
			30	15	15

2020/10		WIRING DIAGRAM	10/20
		538117-01	
HEATING			
ELECTRIC HEAT E1EH - 7.5, 15, 22.5, 30 - G, J			
SECTION A			REV 0
Supersedes		New Form No. 538117-01	