



SUBMITTAL DATA – **WALL-MOUNTED**
MCB012S4S-1L - MWCB012S4-2L
SINGLE ZONE MINI-SPLIT AIR CONDITIONER

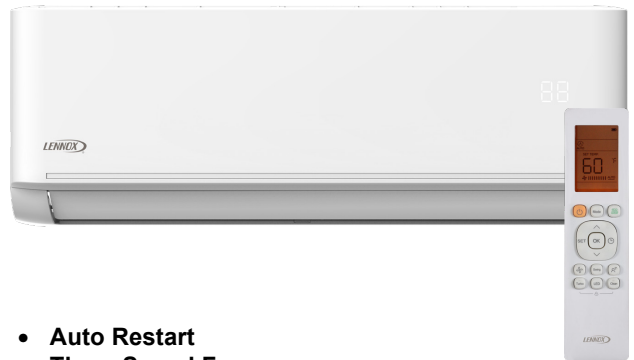
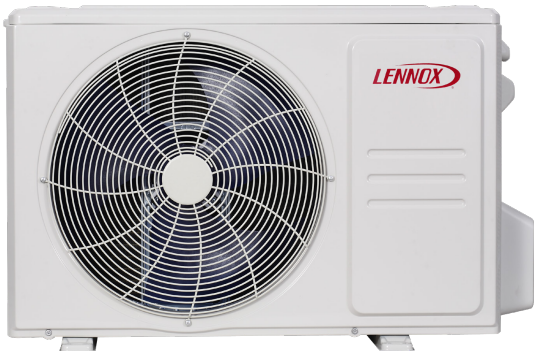
Job: _____
Location: _____
Schedule No.: _____
System Designation: _____

Engineer: _____
Architect: _____
Date: _____
For: Reference Approval Review Construction

FEATURES

Outdoor Unit: MCB012S4S-1L

Indoor Unit: MWCB012S4-2L



- Cooling Only System
- DC Inverter Control
- Compressor Overcurrent Protection

- Auto Restart
- Three Speed Fan
- Flare Connections
- LED Readout
- Multi-Refrigerant Outlet
- Wireless Remote Included

PIPING

Line Set and Elevation Guidelines

Maximum Line Set Length ft. (m)	82 (25)
Maximum Elevation - Outdoor Unit Below/Above Indoor Unit ft. (m)	33 (10)
Liquid Line Set Diameter (in.)	1/4
Gas Line Set Diameter (in.)	1/2
Pre-Charged (ft.)	25
Additional Charge Per Ft. (oz.)	0.16

PRODUCT WARRANTY

Compressor – Five year limited warranty
 All other covered components - Five year limited warranty

OPTIONAL ACCESSORIES

- Non-Programmable Controller (M0STAT61Q-1)
- Non-Programmable Controller (M0STAT120L-1)
- Programmable Controller (M0STAT120N-1)
- Hail Guard Set (M9GARD24Q-1/24S70)



NOTE – Due to Lennox' ongoing commitment to quality, Specifications, Ratings, and Dimensions are subject to change without notice and without incurring liability. Improper installation, adjustment, alteration, service or maintenance can cause property damage or personal injury. Installation and service must be performed by a qualified installer and servicing agency.



SUBMITTAL DATA – WALL-MOUNTED MCB012S4S-1L - MWCB012S4-2L SINGLE ZONE MINI-SPLIT AIR CONDITIONER

OUTDOOR SPECIFICATIONS

PERFORMANCE

Cooling Capacity (Btu/h) ¹	11,500
EER2	11.9
SEER2	21.0
Outdoor Fan Total Air Volume (CFM)	1,059
Ambient Temperature Operating Range	
Cooling	5°F - 122°F

ELECTRICAL DATA

Power Supply (V/Hz/Φ)	115/60/1
Minimum Circuit Ampacity (A)	18
Maximum Overcurrent Protection (A)	30
Outdoor Fan Motor RLA (A)	0.4
No. of Compressors	1

GENERAL DATA

Connection Ratio (%)	100%
Max. # of Indoor Units	1 unit
Sound Data (dBA) - Cooling	54.0
Refrigerant type	R-410A
Factory refrigerant charge	1 lbs. 7 oz.

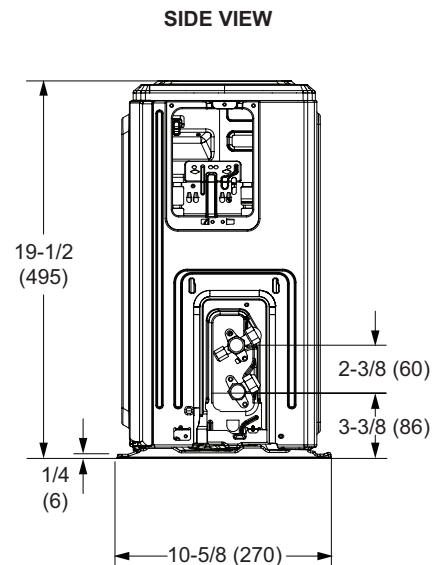
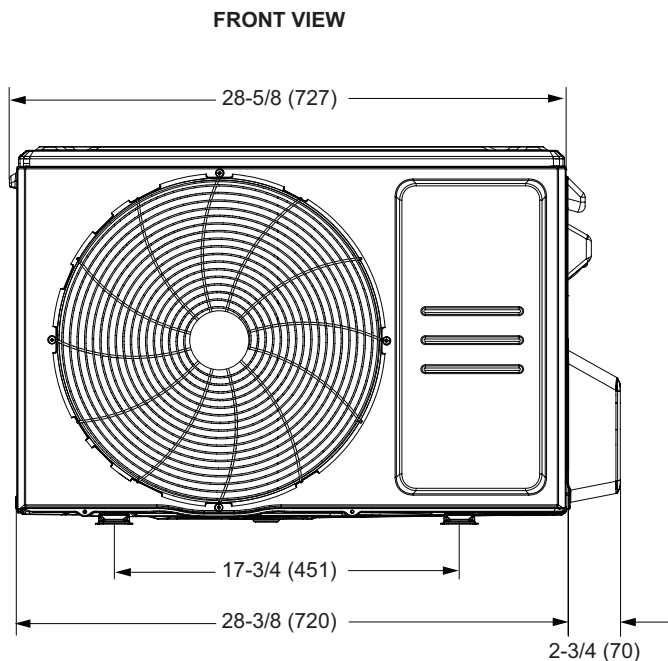
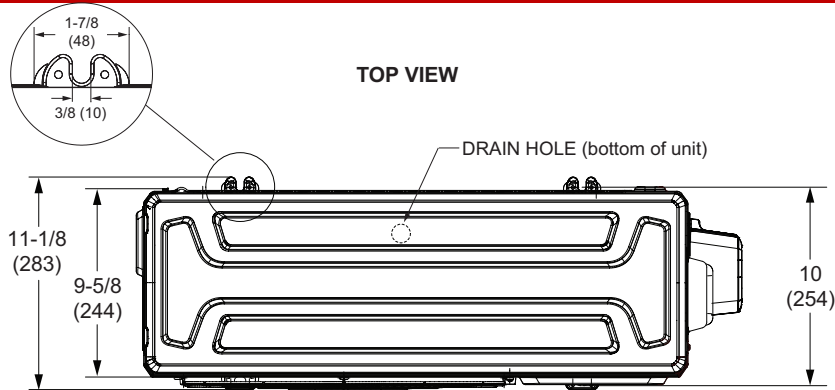
DIMENSIONS

Unit Dimensions (in)	Height	19-1/2
	Width	31-3/8
	Depth	10
Shipping Weight (lb)		55
Net Weight (lb)		51

NOTES

- Cooling and Heating Capacity data is rated at the following conditions:
Cooling: 80°FDB / 67°FWB Indoor, 95°FDB Outdoor
Heating: 70°FDB Indoor, 47°FDB / 43°FWB Outdoor

OUTDOOR DIMENSIONAL DRAWINGS - INCHES (MM)



NOTE – Due to Lennox' ongoing commitment to quality, Specifications, Ratings, and Dimensions are subject to change without notice and without incurring liability. Improper installation, adjustment, alteration, service or maintenance can cause property damage or personal injury. Installation and service must be performed by a qualified installer and servicing agency.
496045 (202312) ©2023 Lennox Industries, Inc.



**SUBMITTAL DATA – WALL-MOUNTED
MCB012S4S-1L - MWCB012S4-2L
SINGLE ZONE MINI-SPLIT AIR CONDITIONER**

INDOOR SPECIFICATIONS

PERFORMANCE

Airflow (CFM)	High	246
	Medium	205
	Low	147
Sound Pressure (dBA)	High	40.5
	Medium	35.5
	Low	33

ELECTRICAL DATA

Power Supply (V/Hz/Φ)	Supplied by ODU
Rated load amps (RLA)	8.5
Power Output (W)	20

DIMENSIONS

Unit Dimensions (in)	Height	11-5/8
	Width	31-3/4
	Depth	7-7/8

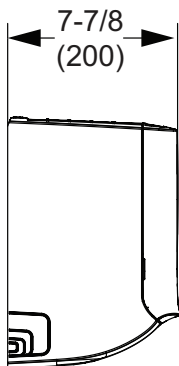
Unit Net/Shipping Weight (lb)	20/25
-------------------------------	-------

PIPING

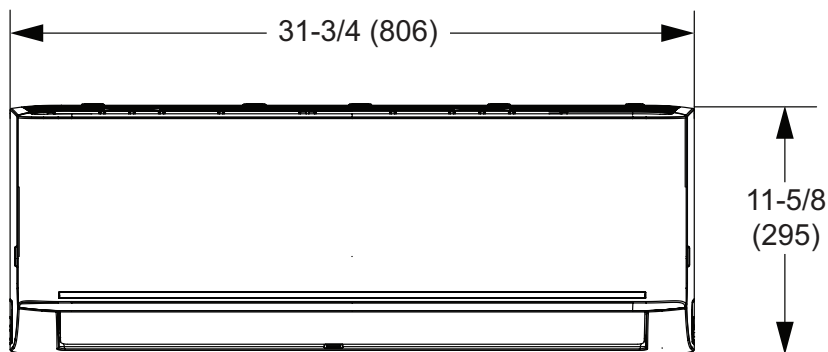
Liquid/Gas O.D. Flare (in.)	1/4 , 1/2
Drain Connection O.D. (in.)	1

INDOOR DIMENSIONAL DRAWINGS - INCHES (MM)

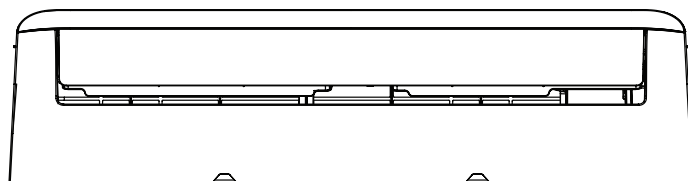
MWCB012



SIDE VIEW



FRONT VIEW



BOTTOM VIEW

NOTE – Due to Lennox' ongoing commitment to quality, Specifications, Ratings, and Dimensions are subject to change without notice and without incurring liability. Improper installation, adjustment, alteration, service or maintenance can cause property damage or personal injury. Installation and service must be performed by a qualified installer and servicing agency.