

UNIT	FACTORY CONNECTED SPEED TAPS			
	COOL	HEAT	FAN	PARK
045(X)E36A	BLACK	BLUE	RED	BROWN, YELLOW
070(X)E36B				
090(X)E48B				
090E60C				
110(X)E60C	BROWN	BLUE	RED	BLACK, YELLOW
135E60D				

HI ← BLOWER SPEED SELECTION → LO

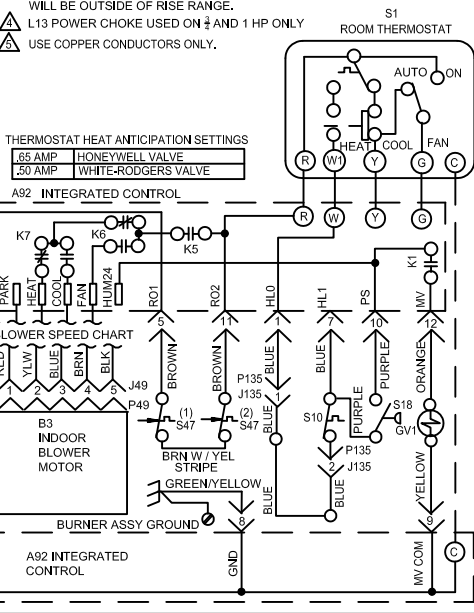
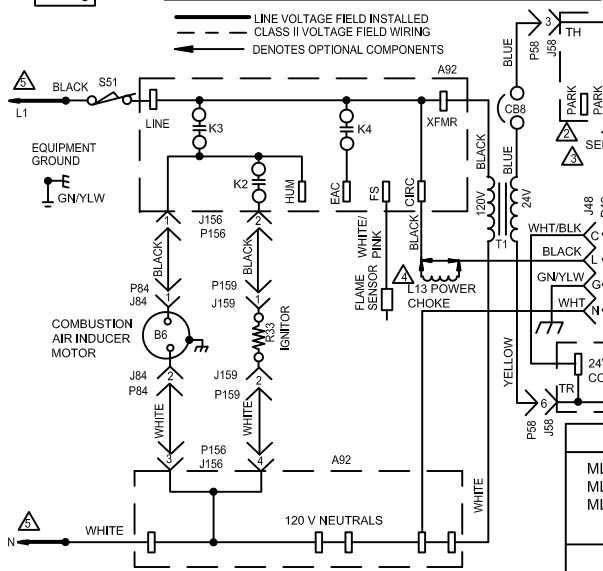
SPEED TAPS	BLACK	BROWN	BLUE	YELLOW	RED
------------	-------	-------	------	--------	-----

JACK/PLUG CHART	
J.P48	JACK/PLUG-INDOOR BLOWER-POWER
J.P49	JACK/PLUG-INDOOR BLOWER-SPD TAP
J.P58	JACK/PLUG-BURNER CONTROL
J.P84	JACK/PLUG-COMB AIR INDUCER
J.P135	JACK/PLUG-SECONDARY LIMIT (S)
J.P158	JACK/PLUG-IGNITER/IGNITER
J.P159	JACK/PLUG-IGNITION

NOTE-
IF ANY WIRE IN THIS APPLIANCE IS REPLACED IT
MUST BE REPLACED WITH WIRE OF LIKE SIZE,
RATING, INSULATION THICKNESS AND TERMINATION.

- ⚠ 'R' REQUIRED ON SOME OUTDOOR UNITS
- ⚠ PARK TERMINALS ARE UNPOWERED TERMINALS. ALL UNUSED MOTOR LEADS MUST BE WIRED TO A PARK TERMINAL.
- ⚠ DO NOT USE RED (LOW SPEED) MOTOR LEAD FOR HEATING SPEED ON 045(X)E36A, 070(X)E36B, 110(X)E60C AND 135E60D UNITS. RESULTING TEMPERATURE RISE WILL BE OUTSIDE OF RISE RANGE.
- ⚠ L13 POWER CHOKE USED ON 1/2 AND 1 HP ONLY
- ⚠ USE COPPER CONDUCTORS ONLY.

THERMOSTAT HEAT ANTICIPATION SETTINGS	
.65 AMP	HONEYWELL VALVE
.50 AMP	WHITE-RODGERS VALVE



HEATING UNITS-GAS		
ML180UH045E36A	ML180UH090E60C	ML180UH045E36A
ML180UH070E36B	ML180UH110E60C	ML180UH070E36B
ML180UH090E48B	ML180UH135E60D	ML180UH090E48B
		ML180UH110XE60C

WARNING-
ELECTRIC SHOCK HAZARD. CAN CAUSE INJURY
OR DEATH. UNIT MUST BE GROUNDED IN ACCORDANCE
WITH NATIONAL AND LOCAL CODES.

Supersedes

0917 

Form No.
537943-01