



SUBMITTAL DATA – **WALL MOUNTED**

**MPC012S4S-1P – MWMC012S4-2P**

SINGLE ZONE MINI-SPLIT HEAT PUMP

**Job:** \_\_\_\_\_  
**Location:** \_\_\_\_\_  
**Schedule No.:** \_\_\_\_\_  
**System Designation:** \_\_\_\_\_

**Engineer:** \_\_\_\_\_  
**Architect:** \_\_\_\_\_  
**Date:** \_\_\_\_\_  
**For:**  Reference  Approval  Review  Construction

**FEATURES**

**Outdoor Unit: MPC012S4S-1P**



- DC Inverter Control
- Compressor Overcurrent Protection
- Base Dancer
- Defrost Control

**Indoor Unit: MWMC012S4-2P**



- Pre-Heat Function
- Auto Restart
- Three Selectable Fan Speeds
- Flare Connections
- LED Readout
- Multi-Refrigerant Outlet
- Wireless Remote Included

**PIPING**

**Line Set and Elevation Guidelines**

Maximum Line Set Length ft. (m)	30 (9.1)
Maximum Elevation - Outdoor Unit Below/Above Indoor Unit ft. (m)	10 (3.0)
Liquid Line Set Diameter (in.)	1/4
Gas Line Set Diameter (in.)	3/8
Pre-Charged (ft.)	25
Additional Charge of Refrigerant (oz/ft.)	0.16

**PRODUCT WARRANTY**

Compressor – Twelve year limited warranty\*  
 All other covered components - Twelve year limited warranty\*  
 \*Product registration required

**OPTIONAL ACCESSORIES**

Non-Programmable Controller (M0STAT61Q-1)  
 Non-Programmable Controller (M0STAT120L-1)  
 Programmable Controller (M0STAT120N-1)  
 Hail Guard Set (M9GARD20Q-1)



NOTE – Due to Lennox' ongoing commitment to quality, Specifications, Ratings, and Dimensions are subject to change without notice and without incurring liability. Improper installation, adjustment, alteration, service or maintenance can cause property damage or personal injury. Installation and service must be performed by a qualified installer and servicing agency.



# SUBMITTAL DATA – WALL MOUNTED MPC012S4S-1P – MWMC012S4-2P

SINGLE ZONE MINI-SPLIT HEAT PUMP

## OUTDOOR SPECIFICATIONS

### PERFORMANCE

Cooling Capacity (Max/Min) (Btu/h) <sup>1</sup>	12,000 (13,300/3,600)
EER2	13.7
SEER2	24.6
Heating Capacity (Max/Min) (Btu/h) <sup>1</sup>	12,000 (13,500/4,500)
HSPF2	10.7
Outdoor Fan Total Air Volume (CFM)	1,295
Ambient Temperature Operating Range	
Cooling	-13°F - 122°F
Heating	-13°F - 86°F

### ELECTRICAL DATA

Power Supply (V/Hz/Φ)	208-230/60/1
Minimum Circuit Ampacity (A)	13
Maximum Overcurrent Protection (A)	15
Outdoor Fan Motor RLA (A)	0.4
Compressor RLA (A)	6.4
No. of Compressors	1

### GENERAL DATA

Connection Ratio (%)	100%
Max. # of Indoor Units	1 unit
Sound Data (dBA) - Cooling/Heating	53.5/53.5
Refrigerant type	R-410A
Factory refrigerant charge	2 lbs. 6 oz.

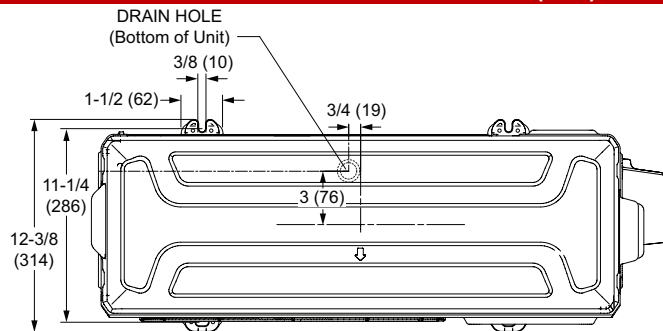
### DIMENSIONS

Unit Dimensions (in)	Height	21-7/8
	Width	32-7/8
	Depth	12-3/8
Shipping Weight (lb)	69	
Net Weight (lb)	64	

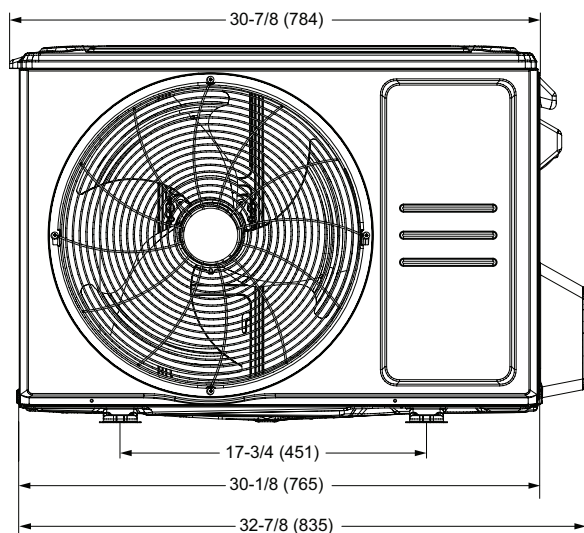
### NOTES

- Cooling and Heating Capacity data is rated at the following conditions:  
Cooling: 80°FDB / 67°FWB Indoor, 95°FDB Outdoor  
Heating: 70°FDB Indoor, 47°FDB / 43°FWB Outdoor

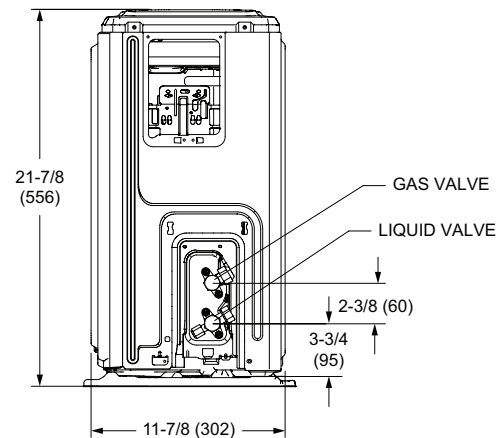
## OUTDOOR DIMENSIONAL DRAWINGS - INCHES (MM)



TOP VIEW



FRONT VIEW



SIDE VIEW

NOTE – Due to Lennox' ongoing commitment to quality, Specifications, Ratings, and Dimensions are subject to change without notice and without incurring liability. Improper installation, adjustment, alteration, service or maintenance can cause property damage or personal injury. Installation and service must be performed by a qualified installer and servicing agency.



**SUBMITTAL DATA – WALL MOUNTED**  
**MPC012S4S-1P – MWMC012S4-2P**  
 SINGLE ZONE MINI-SPLIT HEAT PUMP

**INDOOR SPECIFICATIONS**

PERFORMANCE		
AIR FLOW (CFM)	High	335
	Medium	230
	Low	176
SOUND PRESSURE (dBA)	High	36
	Medium	33.5
	Low	22.5

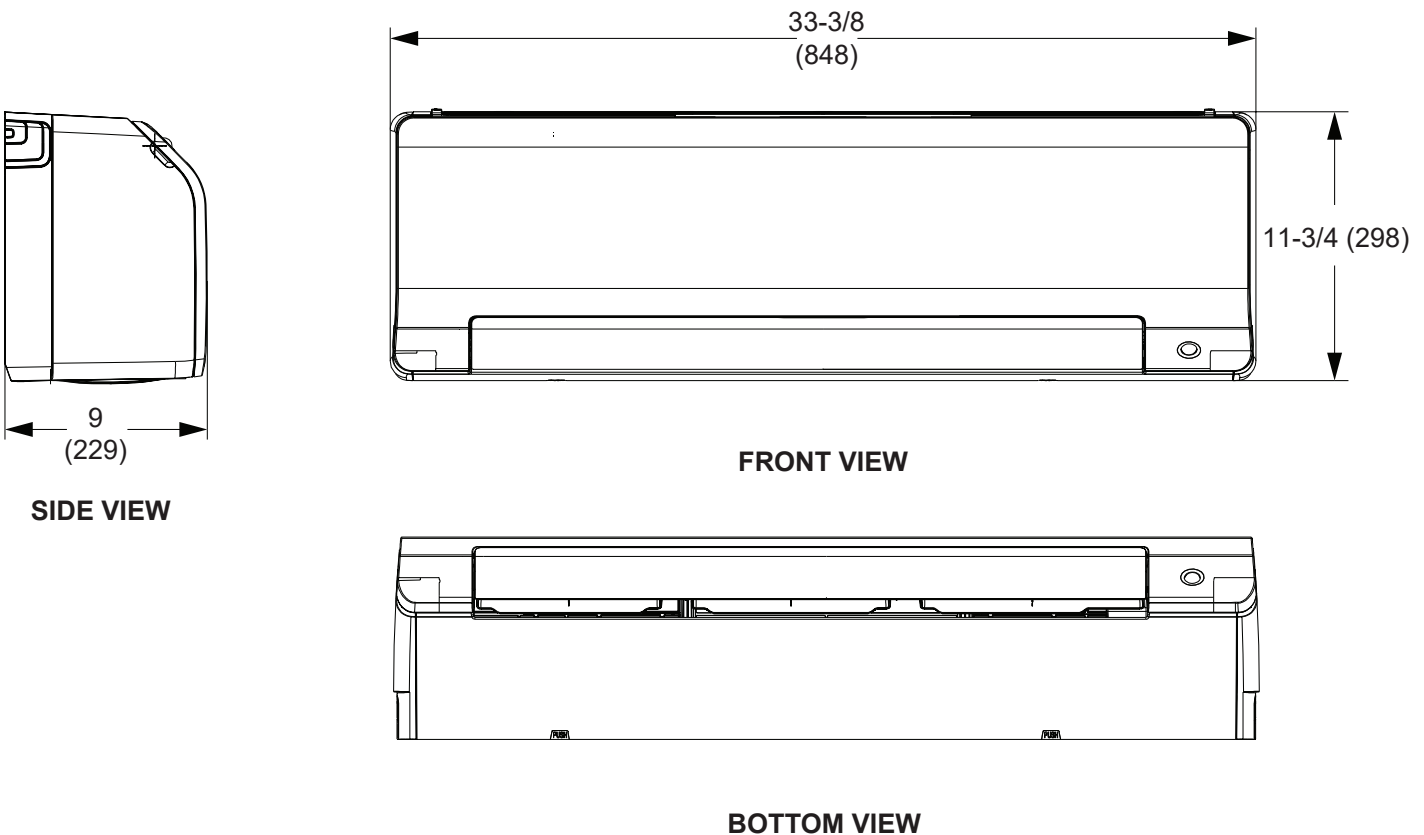
DIMENSIONS		
Unit Dimensions (in)	Height	11-3/4
	Width	33-3/8
	Depth	9
Shipping Weight (lb)		GJ
Net Weight (lb)		GH

ELECTRICAL DATA	
Power Supply (V/Hz/Φ)	Supplied by ODU
Rated Load Amps (RLA)	0.25
Power Output (W)	20

**NOTES**

1. Cooling and Heating Capacity data is rated at the following conditions:  
 Cooling: 80°FDB / 67°FWB Indoor, 95°FDB Outdoor  
 Heating: 70°FDB Indoor, 47°FDB / 43°FWB Outdoor

**INDOOR DIMENSIONAL DRAWINGS - INCHES (MM)**



NOTE – Due to Lennox' ongoing commitment to quality, Specifications, Ratings, and Dimensions are subject to change without notice and without incurring liability. Improper installation, adjustment, alteration, service or maintenance can cause property damage or personal injury. Installation and service must be performed by a qualified installer and servicing agency.