

- NOTES**
- RT6 REMOTE MOUNT WIRING
  - MOVE WIRES FROM 240 TO 208 TAP ON TRANSFORMER FOR 208 VOLT APPLICATIONS
  - P-VOLT UNITS - CONNECT T43-C TO K1-L2
  - W/O HUMIDITROL, W/O PHASE DETECTION - T1 CONNECTED TO J/P395-1,2,3,4
  - PHASE DETECTION - T1 CONNECTED TO J/P395-1,2. T43 CONNECTED TO J/P395-3,4
  - HUMIDITROL - T1 CONNECTED TO J/P395-1,2. T43 CONNECTED TO J/P395-3,4 & J/P394-2,5. L14 CONNECTED TO J/P394-1,4

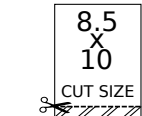
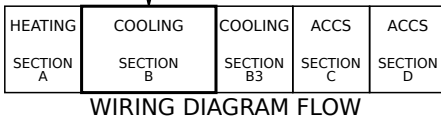
**KEY LIST**

LOCATION	COMPONENT DESCRIPTION
AA03	A55 CONTROL BOARD, MAIN
BB07	B1 COMPRESSOR 1
GG01, FF05	B3 MOTOR, BLOWER
DD07	B4 MOTOR, OUTDOOR FAN 1
GG06	B10 MOTOR, EXHAUST FAN 1
DD06	C1 CAPACITOR, OUTDOOR FAN 1
CC08	C5 CAPACITOR, COMPRESSOR
GG06	C6 CAPACITOR, EXHAUST FAN 1
CC08	C7 CAPACITOR, COMPRESSOR HARD START
BB08	HR1 HEATER, COMPRESSOR 1
BB04, 05, 06	K1 CONTACTOR, COMPRESSOR 1
BB04, FF05	K10 RELAY, OUTDOOR FAN 1
CC08	K31 RELAY, HARD START KIT
CC04, GG05	K65 RELAY, EXHAUST FAN 1
BB06, FF04	K191 RELAY, CRANKCASE HEATER 1
GG04	L14 VALVE, SOLENOID, REHEAT COIL 1
EE01	RT6 SENSOR, A55 DISCHARGE (IMC)
CC01	RT17 SENSOR, OUTSIDE AIR TEMP
EE02	RT46 SENSOR, SAT. SUCT TEMP., COMP 1
AA01	S4 LIMIT, HI PRESS. SWITCH, COMP 1
AA02	S11 SWITCH, LOW PRESS., LOW AMBIENT
AA01	S87 SWITCH, LOW PRESS., COMP 1
DD04	T1 TRANSFORMER, CONTROL
EE04	T43 TRANSFORMER, REHEAT

← DENOTES OPTIONAL COMPONENTS AND WIRING

**WARNING**  
DISCONNECT ALL POWER BEFORE SERVICING.  
ELECTRIC SHOCK HAZARD, CAN CAUSE INJURY OR DEATH. UNIT MUST BE GROUNDED IN ACCORDANCE WITH NATIONAL AND LOCAL CODES.  
FOR USE WITH COPPER CONDUCTORS ONLY. REFER TO UNIT RATING PLATE FOR MINIMUM CIRCUIT AMPACITY AND MAXIMUM OVERCURRENT PROTECTION SIZE.  
IF ANY WIRE IN THIS APPLIANCE IS REPLACED, IT MUST BE REPLACED WITH WIRE OF LIKE SIZE, RATING AND INSULATION THICKNESS.

**10** Model: LCX, LGX, LHX 024S - 060S P AND Y VOLT COOLING - ECM BLOWER  
Voltage: 208-240V/1~/60Hz(P), 208-240V/3~/60Hz(Y)  
Supersedes: N/A Form No: 538407-01 Rev: 000



REV	EC NO.	DATE	BY	APVD	REVISION NOTE
---	CN-012554F	01/22/2024	RXJ	MCF	ORIGINATED AT PD&R CARROLLTON, TX



538407-01

01

02

03

04

05

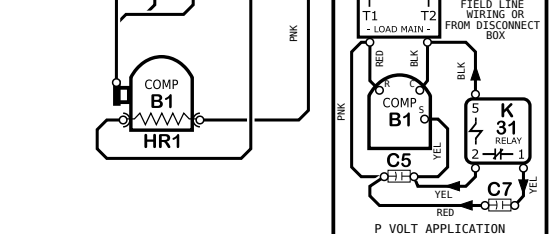
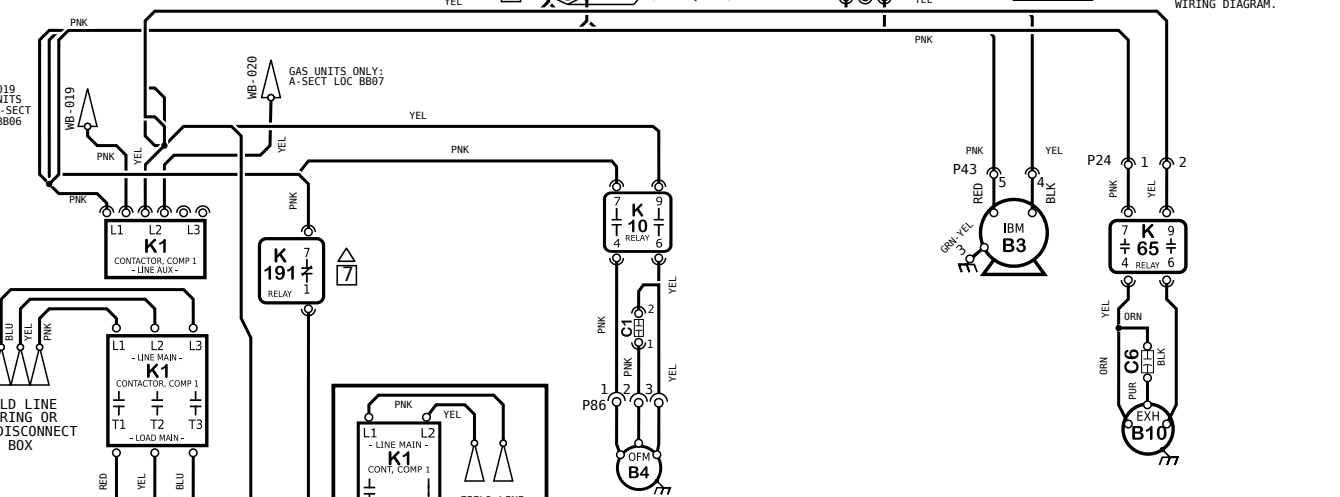
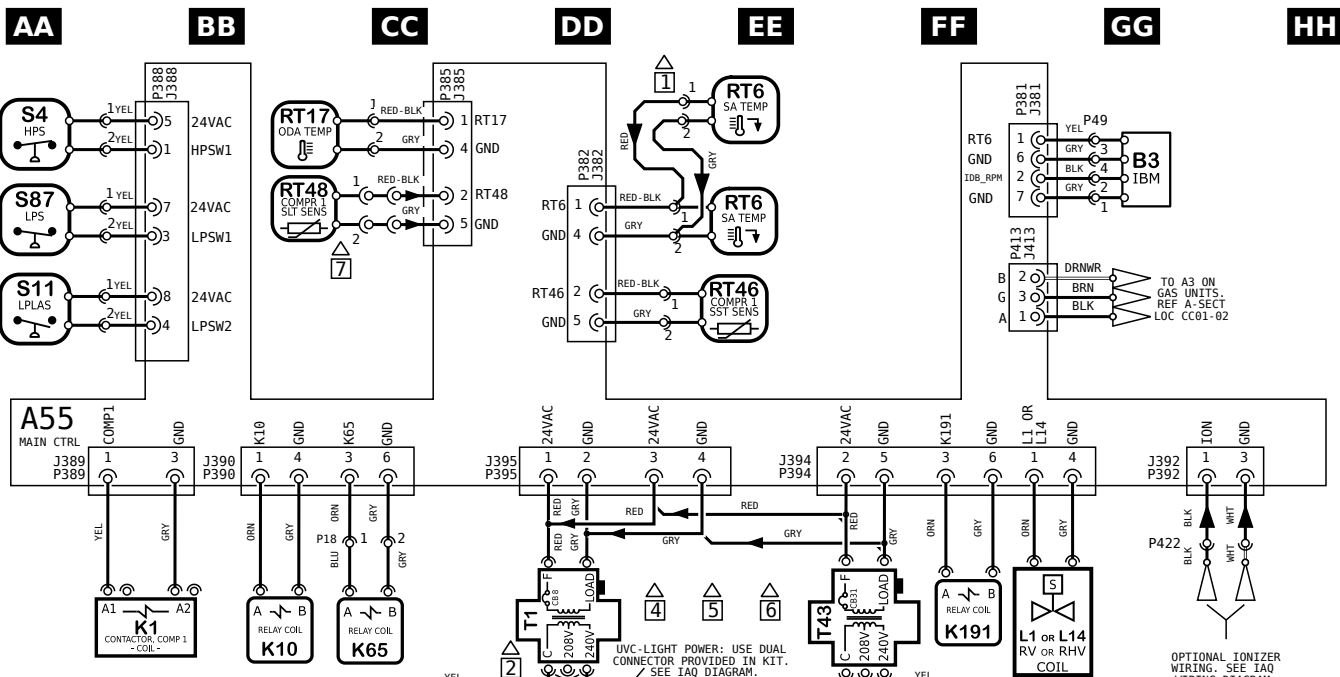
06

07

08

09

10



NOTES	
1	RT6 REMOTE MOUNT WIRING
2	MOVE WIRES FROM 240 TO 208 TAP ON TRANSFORMER FOR 208 VOLT APPLICATIONS
3	P-VOLT UNITS - CONNECT T43-C TO K1-L2
4	W/O HUMIDITROL, W/O PHASE DETECTION - T1 CONNECTED TO J/P395-1,2,3,4
5	PHASE DETECTION - T1 CONNECTED TO J/P395-1,2. T43 CONNECTED TO J/P395-3,4
6	HUMIDITROL - T1 CONNECTED TO J/P395-1,2. T43 CONNECTED TO J/P395-3,4 & J/P394-2,5. L14 CONNECTED TO J/P394-1,4

KEY LIST	
LOCATION	COMPONENT DESCRIPTION
AA03	A55 CONTROL BOARD, MAIN
BB07	B1 COMPRESSOR 1
GG01, FF05	B3 MOTOR, BLOWER
DD07	B4 MOTOR, OUTDOOR FAN 1
GG06	B10 MOTOR, EXHAUST FAN 1
DD06	C1 CAPACITOR, OUTDOOR FAN 1
CC08	C5 CAPACITOR, COMPRESSOR
GG08	C6 CAPACITOR, EXHAUST FAN 1
CC08	C7 CAPACITOR, COMPRESSOR HARD START
BB08	HR1 HEATER, COMPRESSOR 1
BB04, 05, 06	K1 CONTACTOR, COMPRESSOR 1
BB04, FF05	K10 RELAY, OUTDOOR FAN 1
CC08	K31 RELAY, HARD START KIT
CC04, GG05	K65 RELAY, EXHAUST FAN 1
BB06, FF04	K191 RELAY, CRANKCASE HEATER 1
GG04	L14 VALVE, SOLENOID, REHEAT COIL 1
EE01	RT6 SENSOR, A55 DISCHARGE (IMC)
CC01	RT17 SENSOR, OUTSIDE AIR TEMP
EE02	RT46 SENSOR, SAT. SUCT TEMP., COMP 1
AA01	S4 LIMIT, HI PRESS. SWITCH, COMP 1
AA02	S11 SWITCH, LOW PRESS., LOW AMBIENT
AA01	S87 SWITCH, LOW PRESS., COMP 1
DD04	T1 TRANSFORMER, CONTROL
EE04	T43 TRANSFORMER, REHEAT

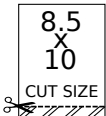
← DENOTES OPTIONAL COMPONENTS AND WIRING

**WARNING**  
DISCONNECT ALL POWER BEFORE SERVICING.  
ELECTRIC SHOCK HAZARD, CAN CAUSE INJURY OR DEATH. UNIT MUST BE GROUNDED IN ACCORDANCE WITH NATIONAL AND LOCAL CODES.  
FOR USE WITH COPPER CONDUCTORS ONLY. REFER TO UNIT RATING PLATE FOR MINIMUM CIRCUIT AMPACITY AND MAXIMUM OVERCURRENT PROTECTION SIZE.  
IF ANY WIRE IN THIS APPLIANCE IS REPLACED, IT MUST BE REPLACED WITH WIRE OF LIKE SIZE, RATING AND INSULATION THICKNESS.

Model:	LCX, LGX, LHX 024S - 060S P AND Y VOLT
	COOLING - ECM BLOWER
Voltage:	208-240V/1~/60Hz(P), 208-240V/3~/60Hz(Y)
Supersedes:	N/A Form No: 538407-01 Rev: 000

HEATING	COOLING	COOLING	ACCS	ACCS
SECTION A	SECTION B	SECTION B3	SECTION C	SECTION D

WIRING DIAGRAM FLOW



REV	EC NO.	DATE	BY	APVD	REVISION NOTE
---	CN-012554F	01/22/2024	RXJ	MCF	ORIGINATED AT PD&R CARROLLTON, TX