

PACKAGED HEAT PUMP



**LHT**

**ENLIGHT ROOFTOP UNITS**

High Efficiency | Lennox® CORE Controller | **R-454B** | 60Hz

**COMMERCIAL  
PRODUCT SPECIFICATIONS (EHB)**

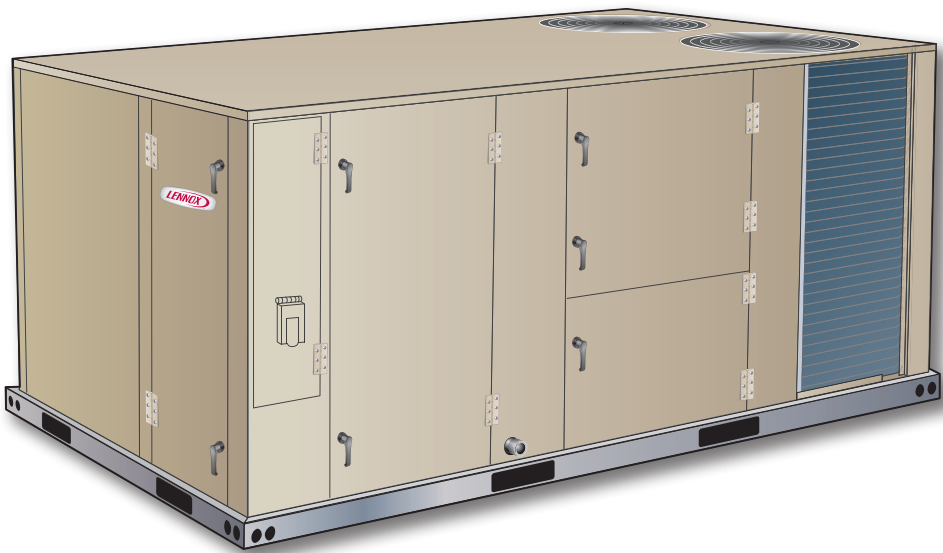
6.5 to 12.5 Tons

Net Cooling Capacity | 78,000 to 136,000 Btuh

Net Heating Capacity | 73,000 to 128,000 Btuh

Optional Electric Heat | 7.5 to 60 kW

**ENLIGHT**



**SMARTWIRE™ SYSTEM**



**MODEL NUMBER IDENTIFICATION**

**L H T 102 H 5 E N 2 Y**

**Brand**  
L = Lennox®

**Unit Type**  
H = Heat Pump Unit

**Family**  
T = Enlight Series

**Nominal Cooling Capacity - Tons**  
078 = 6.5 Tons  
092 = 7.5 Tons  
102 = 8.5 Tons  
120 = 10 Tons  
152 = 12.5 Tons

**Cooling/Heating Efficiency**  
H = High Efficiency

**Refrigerant Type**  
5 = R-454B

**Voltage**  
Y = 208/230V-3 phase-60Hz  
G = 460V-3 phase-60Hz  
J = 575V-3 phase-60Hz

**Minor Design Sequence**  
2 = 2nd Revision

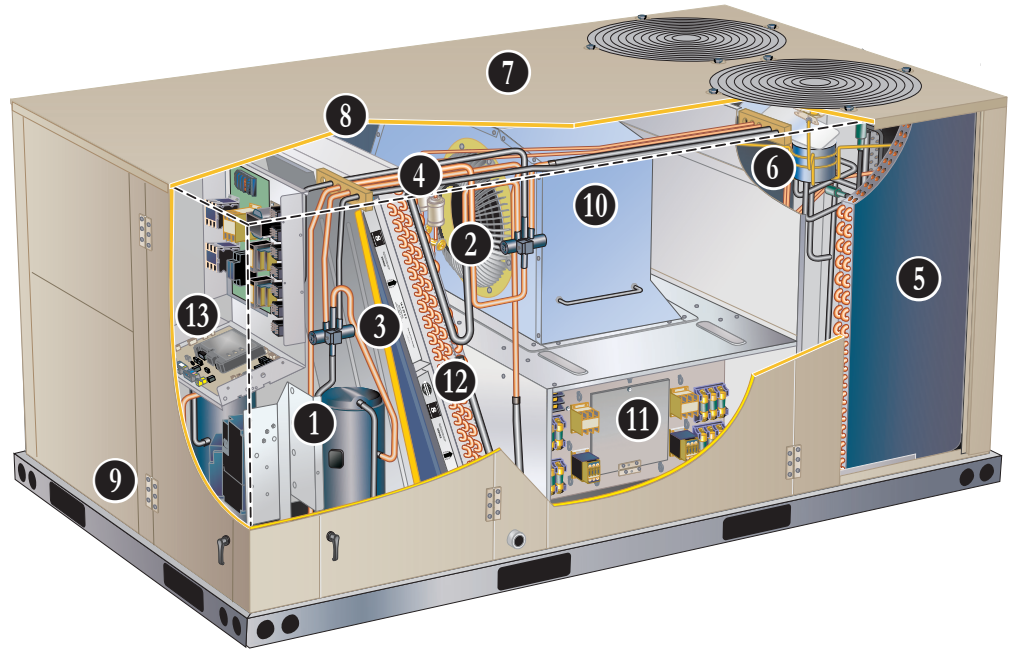
**Factory Installed Electric Heat**  
N = No Heat  
C = 7.5 kW Electric Heat  
E = 15 kW Electric Heat  
G = 22.5 kW Electric Heat  
J = 30 kW Electric Heat  
K = 45 kW Electric Heat  
L = 60 kW Electric Heat

**Blower Type**  
E = MSAV® Multi-Stage Air Volume (DirectPlus™ ECM Direct Drive)

## FEATURE HIGHLIGHTS

Lennox' Enlight rooftop units featuring the Lennox® CORE Control System create a bright future through a highly energy-efficient and environmentally sustainable design. Comprehensive configurations meet a wide range of applications, making it the most flexible product line Lennox has to offer.

1. Scroll Compressors
2. Check/Thermal Expansion Valves
3. Reversing Valves
4. Filter/Driers
5. Copper Tube Coil Construction
6. Outdoor Coil Fan Motors
7. Heavy Gauge Steel Cabinet
8. Cabinet Insulation
9. Hinged Access Panels
10. DirectPlus™ Direct Drive ECM Blower System
11. Electric Heat (option)
12. Air Filters
13. Lennox® CORE Control System



## CONTENTS

Approvals And Warranty . . . . .	3
Blower Data . . . . .	27
Control System . . . . .	8
Cooling/Heating Ratings . . . . .	22
Dimensions . . . . .	38
- 078   092   102   120. . . . .	38
- 152 . . . . .	39
- Accessories . . . . .	40
Electrical/Electric Heat Data . . . . .	30
- 6.5 Ton . . . . .	30
- 7.5 Ton . . . . .	31
- 8.5 Ton . . . . .	32
- 10 Ton . . . . .	33
- 12.5 Ton . . . . .	34
Electric Heat Capacities . . . . .	35
Features And Benefits . . . . .	3
Model Number Identification. . . . .	1
Optional Conventional Temperature Control Systems . . . . .	12
Options / Accessories . . . . .	17
Outdoor Sound Data . . . . .	36
Sequence Of Operation. . . . .	14
Specifications . . . . .	20
- 6.5 Ton   7.5 Ton   8.5 Ton. . . . .	20
- 10 Ton   12.5 Ton . . . . .	21
Unit Clearances . . . . .	36
Weight Data . . . . .	37
- Unit . . . . .	37

## APPROVALS AND WARRANTY

### APPROVALS

- AHRI Standard 340/360-2023 certified
- ETL and CSA listed
- Unit and components are ETL, NEC, and CEC bonded for grounding to meet safety standards for servicing
- All models are ASHRAE 90.1 compliant
- All models meet DOE 2023 energy efficiency standards and UL 60335-2-40 Refrigerant Detector Requirements
- All models have HCAI (formerly OSHPD) OSP and Special Seismic Certification ([Number: OSP-0596](#)), and meet 2021 International Building Code (IBC), 2022 California Building Code (CBC) ASCE 7, and ICC-ES AC156
- All models meet California Code of Regulations, Title 24 and ASHRAE 90.1-2022 Section 6.4.3.10 requirements for staged airflow
- ISO 9001 Registered Manufacturing Quality System

### WARRANTY

- Compressors - Limited five years
- Lennox® CORE Unit Controller - Limited three years
- High Performance Economizers (optional) - Limited five years
- All other covered components - Limited one year

## FEATURES AND BENEFITS

### COOLING/HEATING SYSTEM

- Designed to maximize sensible and latent cooling performance at design conditions
- Mechanical cooling operates from 0°F to 125°F
- Mechanical heating operates at ambient temperatures above -15°F

**NOTE** - When a call for heating is initiated at ambient temperatures above -4°F, unit will attempt to satisfy demand with mechanical heating down to -15°F ambient.

If a call for heating is initiated at or below -4°F, the unit will lockout mechanical heating (compressors) and use optional electrical heat to satisfy demand.

#### R-454B Refrigerant

- Low GWP (Global Warming Potential)
- Zero ODP (Ozone Depletion Potential)
- Low Toxicity/Lower Flammability - A2L
- Unit is factory pre-charged

#### 1 Compressor System

- System consists of one two-stage scroll compressor and one single-stage scroll compressor
- Resiliently mounted on rubber grommets for quiet operation

#### Compressor Crankcase Heaters

- Protects against refrigerant migration that can occur during low ambient operation

#### 2 Check/Thermal Expansion Valves

- Ensures optimal performance throughout the application range
- Removable element head

#### 3 Reversing Valve

- 4-way interchange reversing valve rapidly changes the direction of refrigerant flow resulting in quick changeover from cooling to heating and vice versa

#### 4 Filter/Driers

- High capacity filter/drier protects the system from dirt and moisture

#### High Pressure Switches

- Protects the compressors from overload conditions
- Auto-reset

#### Low Pressure Switches

- Protects the compressors from low pressure conditions such as low refrigerant charge or low/no airflow

#### Indoor Coil Freeze Protection

- Protects the indoor coil from damaging ice build-up due to conditions such as low/no airflow, or low refrigerant charge

#### 5 Coil Construction

- Copper tube construction
- Enhanced rippled-edge aluminum fins
- Flared shoulder tubing connections
- Silver soldered construction
- Factory leak tested
- LHT152 models have two outdoor coils assembled in a "V" configuration.

#### Indoor Coil

- Cross row circuiting
- Rifled copper tubing

#### Outdoor Coil

- Two independent formed coils allow separation for cleaning

## FEATURES AND BENEFITS

### **COOLING / HEATING SYSTEM (continued)**

#### **Anti-Microbial Condensate Drain Pan**

- Composite pan, sloped to meet drainage requirements per ASHRAE 62.1
- Anti-Microbial additive prevents growth of mold and mildew, which improves indoor air quality and reduces drain line blockage
- Side or bottom drain connections
- Reversible to allow connection at back of unit

#### **6 Outdoor Coil Fan Motors**

- All models have variable speed (ECM) fan motors for energy efficient operation and quiet operation
- Thermal overload protected
- Totally enclosed
- Permanently lubricated ball bearings
- Shaft up
- Wire basket mount

#### **Outdoor Coil Fan**

- PVC coated fan guards furnished

#### **Required Selections**

##### **Cooling Capacity**

- Specify nominal cooling capacity

#### **Options/Accessories**

##### **Factory or Field Installed**

###### **Drain Pan Overflow Switch**

- Monitors condensate level in drain pan
- Shuts down unit if drain becomes clogged

##### **Field Installed**

###### **Condensate Drain Trap**

- Constructed of PVC or copper

### **LOW GWP REFRIGERANT DETECTION SYSTEM (RDS)**

- Complies with UL 60335-2-40 approved standard
- Required for all systems using R-454B refrigerant
- Factory installed on all units
- Consists of a refrigerant detection sensor(s) and a mitigation control
- Ensures safe operation for systems equipped with R-454B refrigerant
- Sensor(s) monitors indoor coil area for R-454B refrigerant
- If R-454B refrigerant is detected the refrigerant detection system will prevent compressor and heating operation until R-454B refrigerant is no longer detected
- Refrigeration detection system energizes blower if any R-454B refrigerant is detected to mitigate any concentrations of refrigerant from the unit and the system

### **CABINET**

#### **7 Construction**

- Heavy-gauge steel panels
- Full perimeter heavy-gauge galvanized steel base rail
- Base rails have rigging holes
- Three sides of the base rail have fork slots
- Raised edges around duct and power entry openings in the bottom of the unit for water protection

#### **Airflow Choice**

- Units are shipped in downflow (vertical) configuration

**NOTE** - Units can be field converted to horizontal airflow with optional Horizontal Discharge Kit.

#### **Duct Flanges**

- Provided for horizontal duct attachment

#### **Power Entry**

- Electrical lines can be routed through the unit base or through horizontal access knock-outs

#### **Exterior Panels**

- Constructed of heavy-gauge, galvanized steel
- Textured pre-paint with polyurethane finish
- Cyclic salt fog and UV exposure up to 1680 hours per ASTM D5894

#### **8 Insulation**

- Fully insulated with non-hygroscopic fiberglass insulation (conditioned areas)
- Unit base is fully insulated
- Base insulation serves as an air seal to the roof curb, eliminating the need to add a seal during installation

#### **Access Panels**

- Filter section
- Heating/blower section
- Compressor/controls section

## FEATURES AND BENEFITS

### CABINET(Continued)

#### Options/Accessories

#### Factory or Field Installed

##### Return Air Adaptor Plate

- For same size LC/LG/LH and TC/TG/TH unit replacement
- Installs on return air opening in unit to match return air opening on existing roof curbs
- Also see Accessory Air Resistance table

##### Combination Coil/Hail Guards

- Heavy gauge steel frame
- Painted to match cabinet
- Expanded metal mesh protects outdoor coil

#### Factory Installed

##### Corrosion Protection

- Completely flexible immersed coating
- Electrodeposited dry film process (AST ElectroFin E-Coat)
- ASTM B117 / DIN 53167 Salt Spray - 15,000+ hours
- ASTM G85 Annex A3 SWAAT Modified Salt Spray - 3,000 hours
- VA Master Construction Specification Division 23 for High Humidity Installations
- CID AA-52474A (GSA)
- Indoor Corrosion Protection:
  - Coated coil
  - Painted blower housing
  - Painted base
- Outdoor Corrosion Protection:
  - Coated coil
  - Painted outdoor base

### 9 Hinged Access Panels

- Tool-less access
- Filter section
- Blower/heating section
- Compressor/controls section
- Panel seals and quarter-turn latching handles provide a tight air and water seal

#### Field Installed

##### Horizontal Discharge Kit

- Consists of duct covers to block off downflow supply and return air openings for horizontal applications
- Also includes return air duct flanges for end return air when economizer is used in horizontal applications

**NOTE** - When configuring unit for horizontal application with economizer, a separate Horizontal Barometric Relief Damper with Hood must be ordered separately for installation in the return air duct.

### BLOWER

### 10 DirectPlus™ Blower System

- High-efficiency, variable-speed ECM (electronically commutated) motor
- Eliminates the need for a separate variable-frequency drive
- MSAV® Multi-Stage Air Volume control modulates the amount of supply blower airflow according to cooling demand, heating demand, ventilation demand or smoke alarm
- The amount of airflow for each stage can be set according to a parameter in the Lennox® CORE Unit Controller
- Unit is shipped from the factory with preset airflows
- Fully variable speed motor modulates to maximize system efficiency
- Combines the motor and electronics into one unit
- Aerodynamically optimized impeller
- Backward curved blades mounted directly onto the rotor



- Air inlet grill reduces indoor sound levels without affecting air performance

#### Blower Proving Switch

- Monitors blower operation, shuts down unit if blower fails

## FEATURES AND BENEFITS

### ELECTRICAL

#### SmartWire™ System

- Keyed and color-coded wiring connectors prevent miswiring
- Wire coloring scheme is standardized across all models
- Each connection is intuitively labeled to make troubleshooting and servicing quick and easy

#### Electrical Plugs

- Positive connection electrical plugs are used to connect common accessories or maintenance parts for easy removal or installation

#### Phase/Voltage Detection

- Monitors power supply to ensure correct phase at unit start-up
  - If phase is incorrect, the unit will not start and an alarm code reports to the unit controller
- Prevents unit start-up if the unit is the incorrect phase; unit start-ups in the wrong phase could lead to issues such as compressors functioning in reverse
- Monitors power supply voltage to ensure proper voltage
  - If voltage is not correct (over/under voltage conditions) the unit will not start and an alarm code reports to the unit controller

### Required Selections

#### Voltage Choice

- Specify when ordering base unit

### Options/Accessories

#### Factory Installed

##### Circuit Breakers

- HACR type
- For overload and short circuit protection
- Factory wired and mounted in the power entry panel
- Current sensitive and temperature activated
- Manual reset

##### Short-Circuit Current Rating (SCCR)

- Higher short-circuit protection up to 100kA

**NOTE** - Disconnect Switch not available with higher SCCR option. SCCR option only available with factory installed electric heat.

#### Factory or Field Installed

##### Disconnect Switch

- Accessible from outside of unit
- Spring loaded weatherproof cover furnished

#### **11** Electric Heat

- Helix wound nichrome elements
- Individual element limit controls
- Wiring harness
- Unit fuse block
- See Options / Accessories tables for ordering information

##### GFI Service Outlets (2)

- 115V ground fault circuit interrupter (GFCI) type options:
  - Factory installed, powered and wired
  - Factory installed, non-powered, field wired
  - Field installed, non-powered, field wired

### Options/Accessories

#### Field Installed

##### GFI Weatherproof Cover

- Single-gang cover
- Heavy-duty UV-resistant polycarbonate case construction
- Hinged base cover with gasket

## FEATURES AND BENEFITS

### INDOOR AIR QUALITY

12

#### Air Filters

- Disposable 2 inch MERV 4 filters furnished as standard

#### Options/Accessories

#### **Factory or Field Installed**

##### Healthy Climate® High Efficiency Air Filters

- Disposable MERV 8 and MERV 13 (Minimum Efficiency Reporting Value based on ASHRAE 52.2) efficiency 2 inch pleated filters

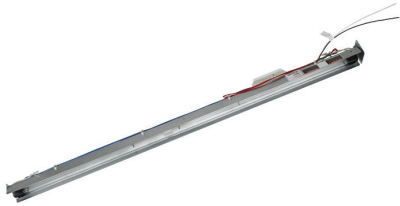
#### **Field Installed**

##### Healthy Climate® High Efficiency Air Filters

- Disposable MERV 16 (Minimum Efficiency Reporting Value based on ASHRAE 52.2) efficiency 2 inch pleated filters

#### **Field Installed**

##### Healthy Climate® UVC Germicidal Light Kit



- Germicidal lamps emit ultra-violet (UV-C) energy, which has been proven to be effective in reducing microbes such as viruses, bacteria, yeasts, and molds
- UV-C energy greatly reduces the growth and proliferation of mold and other bioaerosols (bacteria and viruses) on illuminated surfaces (particularly coil and drain pan)
- Destroys the organism or controls its ability to reproduce
- Field installed in the blower/evaporator coil section
- Magnetic safety interlock terminates power when access panels are removed
- All necessary hardware for installation is included
- Lamps operate on 110/230V-1ph power supply

**NOTE** - Step-down transformer may be ordered separately for 460V and 575V units.

- Approved by ETL

#### Needlepoint Bipolar Ionization (NPBI) Kit

- NPBI technology integrates with system controls for effective air treatment
- Ionization has been shown to effectively reduce harmful pathogens, pollutants and odors
- Brush-type ionizer introduces a high concentration of both positive and negative ions into the airstream
- The bipolar ions are then dispersed into the occupied space through the duct system proactively reducing the airborne contaminants
- Ions travel within the building air stream and attach to particles, pathogens, and gas molecules, making them larger and easier to capture in the filtration system
- UL 2998 certified for zero ozone emission

#### Indoor Air Quality (CO<sub>2</sub>) Sensors

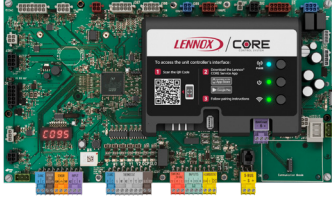
- Monitors CO<sub>2</sub> levels
- Reports to the Lennox® CORE Unit Controller, which adjusts economizer dampers as needed

#### Replacement Filter Media Kit With Frame

- Replaces existing pleated filter media
- Includes washable metal mesh screen and metal frame with clip for holding replaceable non-pleated filter

## CONTROL SYSTEM

### LENNOX® CORE CONTROL SYSTEM



- 13 The Lennox® CORE Control System is designed to accelerate equipment install and service. Standard with all Enlight rooftop units, control system integrates key technologies that lower installation costs, drive system efficiency, and protect your investments.

The Lennox® CORE Unit Controller is a microprocessor-based controller that provides flexible control of all unit functions.

#### CORE Mobile Service App

- Guided Setup with progress indicators, detailed help, and exportable summaries to manage simple, trouble-free setup, reducing commissioning times
- Enhanced Test Functionality provides real-time sensor readings, trending, and reports that enable easy troubleshooting
- Ability to set and configure parameters of the CORE Control System to manage sequence of operation
- Economizer test function ensures economizer is operating correctly



#### Additional Features:

- Built-In 7-Segment Display shows Unit Status and active alarms for easy troubleshooting
- Buttons for test and clearing delays
- SmartWire™ System with keyed and removable screw terminals ensure correct field wiring
- Built-in BACnet MS/TP and IP allow open integration to building management systems.
- Two-port Ethernet Switch enables daisy chaining for BACnet IP and automatic firmware updates

**NOTE** - Unit Internet Connection required.

- Profile setup copies key settings between units with the same configuration to reduce setup time
- USB port allows a technician to download and transfer unit information to help verify service was performed
- USB software updates on the Lennox® CORE Unit Controller enhance functionality without the need to change components
- Unit Controller Software

#### Configurable Built-In Functions

- Discharge Air Cooling Control
- Up to three distinct Cooling Airflows in Thermostat Mode
- Programmable independent heating, ventilation and cooling blower speeds

- Discharge Air Heating Control
- Economizer Control Options (See Economizer / Exhaust Air / Outdoor Air sections)
- Exhaust Fan Control Modes for fresh air damper position
- Configurable Morning Warm-up
- Night Setback Mode
- Fresh Air Tempering for Improved Ventilation
- Demand Control Ventilation
- Low Ambient Controls for operation down to 0°F
- Two Defrost Control Methods (demand and timed - packaged heat pumps only)

#### Component Protection / Unit Safeguards:

- Compressor Time-Off Delay
- Adjustable Blower On/Off Delay
- Return Air Temperature Limit Control
- Safety Switch Input allows Controller to respond to a external safety switch trip
- Service Relay Output
- Thermostat Bounce Delay
- Smoke Alarm Mode has four choices (unit off, positive pressure, negative pressure, purge)
- "Strike Three" Protection
- Gas Valve Time Delay Between First and Second Stage
- Minimum Compressor Run Time

#### Control Methods / Interfaces:

- DDC and 24V Thermostat
- BACnet MS/TP and IP
- LONTalk (Factory and Field Option)
- Lennox S-BUS
- Zone Temperature Sensor Input
- Dehumidistat and Humidity Sensor Inputs
- Indoor Air Quality Inputs (2)
- Built-in Control Parameter Defaults
- Permanent Diagnostic Code Storage
- Field Adjustable Control Parameters (Over 200 settings)
- Multiple Configurable Digital Inputs
- LED Indicators
- PC Interface connects the Lennox® CORE Unit Controller to a PC with the Lennox Unit Controller Software

**NOTE** - Lennox® CORE Control System features vary with the type of rooftop unit in which the control is installed.



## CONTROL SYSTEM

### LENNOX® CORE CONTROL SYSTEM (continued)

#### Controls Options

#### Factory or Field Installed

##### Dirty Filter Switch

- Senses static pressure increase and issues alarm if necessary

##### Fresh Air Tempering

- Used in applications with high outside air requirements
- Controller energizes the first stage heat as needed to maintain a minimum supply air temperature for comfort, regardless of the thermostat demand
- When ordered as a factory option, sensor ships with the unit for field installation

##### Smoke Detector

- Photoelectric type
- Installed in supply air section, return air section or both sections
- Available with power board and single sensor (supply or return) or power board and two sensors (supply and return)
- Power board located in unit control compartment

#### Commercial Control Systems

##### Interoperability via BACnet® or LonTalk® Protocols

- Communication compatible with third-party automation systems that support the BACnet Application Specific Controller device profile, LonMark® Space Comfort Controller functional profile, or LonMark Discharge Air Controller functional profile

#### Field Installed

##### Thermostats and Room Sensors

- Control system and thermostat options, see Page 12

## OPTIONS / ACCESSORIES

### ECONOMIZER

- Economizer operation is set and controlled by the Lennox® CORE Control System
- Simple plug-in connections from economizer to control system for easy installation
- All Enlight rooftop units are equipped with factory installed CEC Title 24 approved sensors for outside, return and discharge air temperature monitoring

**NOTE** - Optional sensors may be used instead of unit sensors to determine whether outdoor air is suitable for free cooling. See the Options/Accessories table.

#### Factory or Field Installed

##### High Performance Economizer

- Approved for California Title 24 building standards
- Low leakage dampers are Air Movement and Control Association International (AMCA) Class 1A Certified - Maximum 3 CFM per sq. ft. leakage at 1 in. w.g.
- ASHRAE 90.1 compliant
- Downflow or Horizontal with Outdoor Air Hood
- Outdoor Air Hood is included when economizer is factory installed and is furnished with economizer when ordered for field installation
- Linked damper action
- High torque 24-volt fully-modulating spring return damper motor
- Return air and outdoor air dampers
- Plug-in connections to unit
- Barometric Relief Dampers with Exhaust Hood are also furnished

**NOTE** - Horizontal applications use furnished outdoor air hood and barometric relief dampers with exhaust hood. Requires optional Horizontal Discharge Kit. See dimension drawing on Page 41.

Horizontal applications in reduced spaces requires optional Horizontal Low Profile Barometric Relief Dampers with Exhaust Hood and Horizontal Discharge Kit. See dimension drawing on Page 42.

**NOTE** - High Performance Economizers are not approved for use with enthalpy controls in Title 24 applications.

**NOTE** - The Free Cooling setpoint for Title 24 applications must be set based on the Climate Zone where the system is installed. See Section 140.4 "Prescriptive Requirements for Space Conditioning Systems" of the California Energy Commission's 2022 Building Energy Efficiency Standards.

**NOTE** - Refer to Installation Instructions for complete setup information.

## OPTIONS / ACCESSORIES

### **ECONOMIZER (continued)**

#### **Factory or Field Installed (continued)**

##### **Differential Sensible Control**

- Factory setting
- Uses outdoor air and return air sensors that are furnished with the unit
- The Lennox® CORE Control System compares outdoor air temperature with return air and activates the economizer when the outdoor air is below the configured setpoint and cooler than return air

**NOTE** - Differential Sensible Control can be configured in the field to provide Offset Differential Sensible Control or Single Sensible Control.

In Offset Differential Sensible Control mode, the economizer is enabled if the temperature differential (offset) between outdoor air and return air reaches the configured setpoint.

In Single Sensible Control mode, the economizer is enabled when outdoor air temperature falls below the configured setpoint.

##### **Global Control**

- The unit controller communicates with a DDC system with one global sensor (enthalpy or sensible)
- Determines whether outside air is suitable for free cooling on all units connected to the control system
- Sensor must be field provided

##### **Single Enthalpy Temperature Control (Not for Title 24)**

- Outdoor air enthalpy sensor enables economizer if the outdoor enthalpy is less than the setpoint of the control

##### **Differential Enthalpy Control (Not for Title 24)**

- Order two Single Enthalpy Controls
- One is field installed in the return air section
- One is installed in the outdoor air section
- Allows the economizer control to select between outdoor air or return air, whichever has lower enthalpy

#### **Field Installed**

##### **Outdoor Air CFM Control**

- Maintains constant outdoor air volume levels on the supply air fan and varying unit airflows
- Velocity sensor located in the rooftop unit outdoor air section, the Lennox® CORE Control system changes the economizer position to help minimize the effect of supply fan speed changes on outdoor air volume levels
- Setpoint for outdoor air volume is established by field testing

**NOTE** - Not available with Demand Control Ventilation (CO<sub>2</sub> Sensor) or Building Pressure Control.

##### **Building Pressure Control**

- Maintains constant building pressure level
- Includes a static pressure transducer and outdoor static pressure assembly
- Using differential pressure information between the outdoor air and the building air, the Lennox® CORE Control system changes the economizer position to help maintain a constant building pressure

**NOTE** - Not available with Demand Control Ventilation (CO<sub>2</sub> Sensor) or Outdoor Air CFM Control.

#### **EXHAUST**

##### **Factory or Field Installed**

##### **Power Exhaust Fan**

- Installs internal to unit for downflow applications only with economizer option
- Provides exhaust air pressure relief
- Interlocked to run when supply air blower is operating
- Fan runs when outdoor air dampers are 50% open (adjustable)
- Motor is overload protected
- Fan is 20 in. diameter
- Five blades
- One 1/3 hp motor

**NOTE** - Requires Economizer and Downflow Barometric Relief Dampers

##### **Field Installed**

##### **Horizontal Low Profile Barometric Relief Dampers**

- For use when unit is configured for horizontal applications requiring an economizer in a reduced space
- Allows relief of excess air
- Aluminum blade dampers prevent blow back and outdoor air infiltration during off cycle
- Field installed in return air duct
- Bird screen and hood furnished

**NOTE** - Requires Horizontal Discharge Kit.

## OPTIONS / ACCESSORIES

### OUTDOOR AIR

#### Factory or Field Installed

##### Motorized Outdoor Air Dampers

- Linked mechanical dampers
- Fully modulating spring return damper motor with plug-in connection
- 0 to 25% (fixed) outdoor air adjustable
- Installs in unit
- Outdoor air hood with bird screen included

**NOTE** - Outdoor Air Hood is shipped separately in the unit with factory installed dampers for field installation.

#### Field Installed

##### Manual Outdoor Air Damper

- Adjustable slide damper
- Installed in unit
- Outdoor air hood with bird screen included

### ROOF CURBS

#### Field Installed

- Nailer strip furnished (downflow only)
- Mates to unit
- US National Roofing Contractors Approved
- Shipped knocked down

#### Hybrid Roof Curbs, Downflow

- Interlocking tabs fasten corners together
- No tools required for assembly
- Can also be fastened together with furnished hardware
- Available in 8, 14, 18, and 24 inch heights

#### Adjustable Pitch Curb

- Fully adjustable pitch curbs (3/4 in. per foot in any direction) provide a level platform for rooftop units allowing flexible installations on roofs with uneven or sloped angles
- Interlocking tabs fasten corners together
- No tools required for assembly
- Hardware is furnished to connect upper curb with lower curb
- Available in 14 inch height

#### Adaptor Curbs (not shown)

- Curbs are regionally sourced
- Dimensions vary based upon the source

**NOTE** - Contact your local sales representative for a detailed cut sheet with applicable dimensions.

### CEILING DIFFUSERS

#### Field Installed

##### Ceiling Diffusers

##### (Flush or Step-Down)

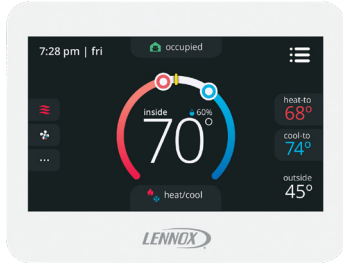
- White powder coat finish on diffuser face and grilles
- Insulated UL listed duct liner
- Diffuser box has collars for duct connection
- Step-down diffusers have double deflection blades
- Flush diffusers have fixed blades
- Provisions for suspending
- Internally sealed to prevent recirculation
- Removable return air grille
- Adapts to T-bar ceiling grids or plaster ceilings

##### Transitions (Supply and Return)

- Used with diffusers
- Installs in roof curb
- Galvanized steel construction
- Flanges furnished for duct connection to diffusers
- Fully insulated

## OPTIONAL CONVENTIONAL TEMPERATURE CONTROL SYSTEMS

### CS8500 Commercial 7-Day Programmable Thermostat



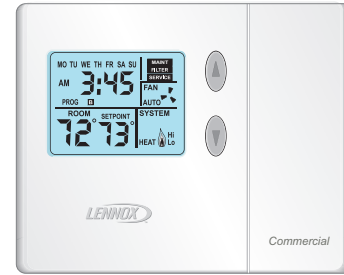
- Fully Communicating Sensor
- Full Color Touchscreen Interface
- Variable Speed System Control (On Compatible Units)
- Up To 4 Heat / 4 Cool
- Built-In Sensors For Temperature, Humidity And Optional CO<sub>2</sub>
- Remote Sensor Options For Occupancy, Temperature
- BACnet Capable Options
- 5-2 or 7-Day Scheduling
- Smooth Setback Recovery
- Heat/Cool Auto-Changeover
- Four-Wire Installation
- FDD, ASHRAE, IECC Compliant

### CS7500 Commercial 7-Day Programmable Thermostat



- Premium Universal Thermostat
- Full Color Touchscreen Interface
- Up To 4 Heat / 3 Cool
- Built-In Sensors For Temperature and Humidity
- Remote Sensors Options For Temperature, Discharge Air, Outdoor Air
- 5-2 or 7-Day Scheduling
- Smooth Setback Recovery
- Heat/Cool Auto-Changeover
- FDD, ASHRAE, IECC Compliant

### CS3000 Commercial 5-2 Day Programmable Thermostat



- Conventional Multi-Stage Thermostat
- Intuitive Display
- Push-Button Operation
- Up To 2 Heat / 2 Cool
- Built-In Temperature Sensor
- Remote Temperature Sensing
- Up to 5-2 Day Scheduling
- Smooth Setback Recovery
- Heat/Cool Auto-changeover

### Wired Temperature/Humidity Room Sensor (Non-Communicating)



- Terminal blocks for wiring connections
- Five-wire sensor connection
- Off-white plastic enclosure
- Non-adjustable
- Relative humidity range: 0 -100%
- +/- 3% Accuracy

## OPTIONAL CONVENTIONAL TEMPERATURE CONTROL SYSTEMS

Description	Order Number
<b>CS8500 Commercial 7 Day Programmable Thermostat</b>	
CS8500 7-Day Thermostat	No CO <sub>2</sub> Sensing <b>24K55</b>
	With CO <sub>2</sub> Sensing <b>24K53</b>
Sensors/Accessories	<sup>1</sup> Remote non-adjustable wall-mount 10k <b>47W37</b>
	<sup>1</sup> Remote non-adjustable wall-mount 11k <b>94L61</b>
<b>Sysbus Network Cable (Yellow) for CS8500 and LCS-5030 Wired Room Sensor</b>	
Twisted pair 100% shielded communication cable, Red and Black	500 ft. box <b>27M19</b>
22 AWG, yellow jacket, rated at 75°C, 300V, Plenum rated	1000 ft. box <b>94L63</b>
Insulation - Low smoke PVC, NEC, CMP	2500 ft. roll <b>68M25</b>
<b>CS7500 Commercial 7-Day Programmable Thermostat</b>	
CS7500 7-Day Thermostat	<b>24K41</b>
Sensors/Accessories	<sup>2</sup> Remote non-adjustable wall-mount 20k <b>47W36</b>
	<sup>2</sup> Remote non-adjustable wall-mount 10k <b>47W37</b>
	Remote non-adjustable discharge air (duct mount) <b>19L22</b>
	Outdoor temperature sensor <b>X2658</b>
<b>CS3000 Commercial 5-2 Day Programmable Thermostat</b>	
CS3000 5-2 Day Thermostat	<b>11Y05</b>
Sensors/Accessories	Remote non-adjustable wall mount 10k averaging <b>47W37</b>
	Thermostat wall mounting plate <b>X2659</b>
<b>Universal Thermostat Guard with Lock (clear)</b>	
	Inside Dimensions (H x W x D) 5-7/8 x 8-3/8 x 3 in. <b>39P21</b>
<b>Temperature/Humidity Room Sensor</b>	
A335MT13AE1 Wired Temperature/Humidity Room Sensor (Non-Communicating)	<b>21W06</b>

<sup>1</sup> Up to nine of the same type remote temperature sensors can be connected in parallel.

<sup>2</sup> Remote wall-mount sensors can be applied in any of the following combinations:  
 One Sensor - (1) 47W36, Two Sensors - (2) 47W37, Three Sensors - (2) 47W36 and (1) 47W37  
 Four Sensors - (4) 47W36, Five Sensors - (3) 47W36 and (2) 47W37

## SEQUENCE OF OPERATION

**Objective:** Outline the unit functions as a result of room thermostat or zone sensor demands.

**Given:** When economizer is present, it will function as an integral part of the unit cooling system. When not present, unit will function as if economizer is present but outdoor ambient is high and sensed as not suitable.

### **UNIT OPERATION WITH 2-STAGE THERMOSTAT (2 COOL AND 2 HEAT STAGES, Y1, Y2, W1, W2)**

#### **SUPPLY AIR BLOWER SPEED**

Unit has following supply air blower speed setting:

- Ventilation speed
- Cooling Speed - Low
- Cooling Speed - High
- Heating speed
- Smoke speed (Used only in smoke removal option - not discussed)

#### **COOLING**

##### **<sup>1</sup> Unit Features An Economizer And Outdoor Air Is Suitable**

###### **Thermostat Mode (Y1, Y2)**

###### **Y1 Demand:**

All compressors are off, supply air blower is on low cooling speed to minimize blower power consumption, economizer modulates (minimum to maximum open position) to maintain 55°F supply air temperature (default unit controller setting).

###### **Y2 Demand:**

All compressors are off, supply air blower is on high cooling speed providing higher cooling capacity, and economizer modulates to maintain 55°F supply air temperature. If economizer stays at maximum open for 3 minutes, compressor 1 is energized while supply air blower stays on high cooling speed providing maximum cooling capacity.

<sup>1</sup> *Outdoor air suitability is determined by the energy state of outdoor ambient (enthalpy or sensible) and its ability to achieve the desired free cooling effects. Outdoor air suitability can also be determined by a third party controller and provided to the rooftop unit via a network connection.*

##### **Unit Does Not Feature An Economizer Or Outdoor Air Is Not Suitable**

###### **Thermostat Mode (Y1, Y2)**

###### **Y1 Demand:**

Compressor 1 operates, and supply air blower operates at low cooling speed.

###### **Y2 Demand:**

All compressors operate and supply air blower operates at high cooling speed.

## SEQUENCE OF OPERATION

### UNIT OPERATION WITH 3-STAGE THERMOSTAT OR ZONE SENSOR (3 COOL AND 2 HEAT STAGES, Y1, Y2, Y3 AND W1, W2)

#### SUPPLY AIR BLOWER SPEED

Unit has following supply air blower speed setting:

- Ventilation speed
- Cooling Speed - Low
- Cooling Speed - Medium
- Cooling Speed - High
- Heating speed
- Smoke speed (Used only in smoke removal option - not discussed)

#### COOLING

##### **<sup>1</sup> Unit Features An Economizer And Outdoor Air Is Suitable**

###### **Thermostat or Zone Sensor Mode (Y1, Y2, Y3)**

###### **Y1 Demand:**

All compressors are off, supply air blower is on low cooling speed to minimize blower power consumption, economizer modulates (minimum to maximum open position) to maintain 55°F supply air temperature (default unit controller setting).

###### **Y2 Demand:**

All compressors are off, supply air blower is on high cooling speed providing higher cooling capacity, and economizer modulates to maintain 55°F supply air temperature. If economizer stays at maximum open for 3 minutes, compressor 1 is energized while supply air blower stays on high cooling speed providing maximum cooling capacity. After compressors are energized the economizer stays at maximum open.

###### **Y3 Demand:**

Compressors 1 and 2 are energized while supply air blower stays on high cooling speed. Outdoor air suitability is determined by the energy state of outdoor ambient (enthalpy or sensible) and its ability to achieve the desired free cooling effects. Outdoor air suitability can also be determined by a third party controller and provided to the rooftop unit via a network connection.

##### **Unit Does Not Feature An Economizer or Outdoor Air Is Not Suitable**

###### **Thermostat or Zone Sensor Mode (Y1, Y2, Y3)**

###### **Y1 Demand:**

Compressor 1 operates at part load and supply air blower operates at low cooling speed.

###### **Y2 Demand:**

Compressor 1 operates at part load with compressor 2 ON, and supply air blower operates at medium cooling speed.

###### **Y3 Demand:**

All compressors operate and supply air blower operates at high cooling speed.

## SEQUENCE OF OPERATION

### DEFROST

Coil Sensors (RT48 - Circuit 1 and RT49 - Circuit 2) and Ambient Sensor (RT17) provides input to the Lennox® CORE Unit Controller to initiate a defrost cycle if needed.

Coil sensors are located on a return bend for each circuit on the front of the outdoor coil.

Ambient sensor is located on the inside of the corner mullion on the back of the outdoor coil section.

If a coil sensor measures a temperature below 35°F during mechanical heating mode, defrost logic is enabled. The system will constantly monitor coil and ambient temperatures and will initiate a defrost cycle if the controller determines that the target temperature difference between the coil and ambient temperature has been satisfied, or when the accumulated run time with coil temperature below 35°F reaches 6 hours.

Defrost will not be activated on more than one circuit at the time.

If the ambient sensor fails, or the circuit is in uncalibrated state, the controller will switch to time/temperature defrost operation.

Electric heat is energized during a defrost cycle to maintain discharge air temperature.

### **HEATING MODE: THERMOSTAT OR ZONE SENSOR**

#### **W1 Demand:**

A first-stage heating demand (W1) will energize compressors 1 and 2 and the outdoor fans.

*NOTE – L1 & L2 reversing valves are de-energized in the heating mode.*

#### **Units With Optional Electric Heat:**

An increased heating demand (W2) will energize electric heat.

*NOTE - Compressors 1 and 2 stay energized.*

#### **Units With Optional Two-Stage Electric Heat and Zone Sensor mode:**

An increased heating demand (H2) will energize 1st stage of electric heat.

An increased heating demand (H3) will energize 2nd stage of electric heat.

*NOTE – Compressors 1 and 2 stay energized.*

All Electric heat modules are energized during the defrost cycle (W1) to temper discharge air temperature.

### **ACCESSORIES**

#### **Modulating Outdoor Air Damper**

The minimum damper position for “occupied low blower” and “occupied high blower” is adjusted during unit setup to provide minimum fresh air requirements per ASHRAE 62.1 at the corresponding supply air blower speeds.

When supply air blower is off or the unit is in unoccupied mode, the outdoor air damper is closed.

When unit is in occupied mode and supply air blower is operating at a speed below the “midpoint” blower speed, the outdoor air damper is at minimum “low blower” position.

When unit is in occupied mode and supply air blower is operating at a speed equal to or above the “midpoint” blower speed, the outdoor air damper is at minimum “high blower” position.

*NOTE - The “midpoint” blower speed is an average of the minimum and maximum blower speed (minimum speed + maximum speed divided by 2).*

#### **Power Exhaust Operation**

*NOTE - POWER EXHAUST OPERATION IS THE SAME FOR ALL CONTROL OPTIONS*

Single-stage power exhaust fan is an option available to units with Economizer and for downflow applications only.

Power exhaust fan operates when economizer outdoor air dampers are 50% open (adjustable) and when supply air blower is ON.



## OPTIONS / ACCESSORIES

Item Description	Order Number	Size					
		078	092	102	120	152	
<b>COOLING SYSTEM</b>							
Condensate Drain Trap	PVC	<b>22H54</b>	X	X	X	X	X
	Copper	<b>76W27</b>	X	X	X	X	X
Drain Pan Overflow Switch		<b>21Z07</b>	OX	OX	OX	OX	OX
<b>BLOWER - SUPPLY AIR</b>							
Blower Option	DirectPlus™ Blower System with MSAV®	Factory	O	O	O	O	O
<b>CABINET</b>							
Combination Coil/Hail Guards		<b>24C86</b>	OX	OX	OX	OX	
		<b>37A56</b>					OX
Corrosion Protection		Factory	O	O	O	O	O
Horizontal Discharge Kit		<b>51W25</b>	X	X	X	X	X
Return Air Adaptor Plate (for LC/LG/LH and TC/TG/TH unit replacement)		<b>54W96</b>	OX	OX	OX	OX	OX
<b>CONTROLS</b>							
Commercial Controls	CPC Einstein Integration	Factory	O	O	O	O	O
	LonTalk® Module	<b>54W27</b>	OX	OX	OX	OX	OX
	Novar® LSE	Factory	O	O	O	O	O
Dirty Filter Switch		<b>53W67</b>	OX	OX	OX	OX	OX
Fresh Air Tempering		<b>21Z08</b>	OX	OX	OX	OX	OX
Smoke Detector - Supply or Return (Power board and one sensor)		<b>31A68</b>	OX	OX	OX	OX	OX
Smoke Detector - Supply and Return (Power board and two sensors)		<b>31A69</b>	OX	OX	OX	OX	OX
<b>INDOOR AIR QUALITY</b>							
<b>Air Filters</b>							
Healthy Climate® High Efficiency Air Filters 20 x 25 x 2 in. (Order 4 per unit)	MERV 8	<b>50W61</b>	OX	OX	OX	OX	OX
	MERV 13	<b>52W41</b>	OX	OX	OX	OX	OX
	MERV 16	<b>21U41</b>	X	X	X	X	X
Replacement Media Filter With Metal Mesh Frame (includes non-pleated filter media)		<b>Y3063</b>	X	X	X	X	X
<b>Indoor Air Quality (CO<sub>2</sub>) Sensors</b>							
Sensor - Wall-mount, off-white plastic cover with LCD display		<b>24C58</b>	X	X	X	X	X
Sensor - Wall-mount, off-white plastic cover, no display		<b>23V86</b>	X	X	X	X	X
Sensor - Black plastic case, LCD display, rated for plenum mounting		<b>87N52</b>	X	X	X	X	X
Sensor - Black plastic case, no display, rated for plenum mounting		<b>23V87</b>	X	X	X	X	X
CO <sub>2</sub> Sensor Duct Mounting Kit - for downflow applications		<b>23Y47</b>	X	X	X	X	X
Aspiration Box - for duct mounting non-plenum rated CO <sub>2</sub> sensors ( <b>24C58</b> )		<b>90N43</b>	X	X	X	X	X
<b>Needlepoint Bipolar Ionization (NPBI)</b>							
Needlepoint Bipolar Ionization (NPBI) Kit		<b>22U15</b>	X	X	X	X	X
<b>UVC Germicidal Lamps</b>							
<sup>1</sup> Healthy Climate® UVC Light Kit (110/230v-1ph)		<b>21A93</b>	X	X	X	X	X
Step-Down Transformers	460V primary, 230V secondary	<b>10H20</b>	X	X	X	X	X
	575V primary, 230V secondary	<b>10H21</b>	X	X	X	X	X

<sup>1</sup> Lamps operate on 110-230V single-phase power supply. Step-down transformer may be ordered separately for 460V and 575V units. Alternately, 110V power supply may be used to directly power the UVC ballast(s).

NOTE - Order Numbers shown are for ordering field installed accessories.

OX = Configure To Order (Factory Installed) or Field Installed.

O = Configure To Order (Factory Installed).

X = Field Installed.

## OPTIONS / ACCESSORIES

Item Description	Order Number	Size					
		078	092	102	120	152	
<b>ELECTRICAL</b>							
Voltage 60 Hz	208/230V - 3 phase	Factory	O	O	O	O	O
	460V - 3 phase	Factory	O	O	O	O	O
	575V - 3 phase	Factory	O	O	O	O	O
Disconnect Switch	80 amp	<b>54W56</b>	OX	OX	OX	OX	OX
	150 amp	<b>54W57</b>	OX	OX	OX	OX	OX
<sup>2</sup> Short-Circuit Current Rating (SCCR) of 100kA (includes Phase/Voltage Detection)		Factory	O	O	O	O	O
GFI Service Outlets	15 amp non-powered, field-wired (208/230V, 460V only)	<b>74M70</b>	OX	OX	OX	OX	OX
	15 amp factory-wired and powered (208/230V, 460V)	Factory	O	O	O	O	O
	<sup>3</sup> 20 amp non-powered, field-wired (208/230V, 460V, 575V)	<b>67E01</b>	X	X	X	X	X
	<sup>3</sup> 20 amp non-powered, field-wired (575V only)	Factory	O	O	O	O	O
Weatherproof Cover for GFI		<b>10C89</b>	X	X	X	X	X
<b>ELECTRIC HEAT</b>							
7.5 kW	208/240V-3ph	<b>30U33</b>	OX	OX	OX		
	460V-3ph	<b>30U34</b>	OX	OX	OX		
	575V-3ph	<b>30U35</b>	OX	OX	OX		
15 kW	208/240V-3ph	<b>30U36</b>	OX	OX	OX	OX	OX
	460V-3ph	<b>30U37</b>	OX	OX	OX	OX	OX
	575V-3ph	<b>30U38</b>	OX	OX	OX	OX	OX
22.5 kW	208/240V-3ph	<b>30U39</b>	OX	OX	OX	OX	OX
	460V-3ph	<b>30U40</b>	OX	OX	OX	OX	OX
	575V-3ph	<b>30U41</b>	OX	OX	OX	OX	OX
30 kW	208/240V-3ph	<b>30U42</b>	OX	OX	OX	OX	OX
	460V-3ph	<b>30U43</b>	OX	OX	OX	OX	OX
	575V-3ph	<b>30U44</b>	OX	OX	OX	OX	OX
45 kW	208/240V-3ph	<b>30U45</b>		OX	OX	OX	OX
	460V-3ph	<b>30U46</b>		OX	OX	OX	OX
	575V-3ph	<b>30U47</b>		OX	OX	OX	OX
60 kW	208/240V-3ph	<b>30U48</b>				OX	OX
	460V-3ph	<b>30U49</b>				OX	OX
	575V-3ph	<b>30U50</b>				OX	OX

<sup>2</sup> Disconnect Switch not available with SCCR option.

SCCR option is only available with factory installed electric heat or no electric.

SCCR option is not available with 45 kW and 60 kW electric heat for 208/230V applications.

<sup>3</sup> Canada requires a minimum 20 amp circuit. Select 20 amp, non-powered, field wired GFI.

NOTE - Order Numbers shown are for ordering field installed accessories.

OX = Configure To Order (Factory Installed) or Field Installed.

O = Configure To Order (Factory Installed).

X = Field Installed.

## OPTIONS / ACCESSORIES

Item Description	Order Number	Size				
		078	092	102	120	152
<b>ECONOMIZER</b>						
<b>High Performance Economizer (Approved for California Title 24 Building Standards / AMCA Class 1A Certified)</b>						
High Performance Economizer (Downflow or Horizontal)	<b>20U80</b>	OX	OX	OX	OX	OX
Includes Economizer Dampers with Outdoor Air Hood and Barometric Relief Dampers with Exhaust Hood						
Downflow Applications - Use furnished Outdoor Air Hood and Barometric Relief Dampers with Exhaust Hood						
Horizontal Applications - Use furnished Outdoor Air Hood and Barometric Relief Dampers with Exhaust Hood - Order Horizontal Discharge Kit separately						
Horizontal Applications (reduced height) - Order Horizontal Low Profile Barometric Relief Dampers with Exhaust Hood and Horizontal Discharge Kit ( <b>51W25</b> ) separately						
<b>Horizontal Low Profile Barometric Relief Dampers</b>						
Horizontal Low Profile Barometric Relief Dampers (Exhaust hood furnished)	<b>53K04</b>	X	X	X	X	X
<b>Economizer Controls</b>						
Differential Enthalpy (Not for Title 24)	Order 2 <b>21Z09</b>	OX	OX	OX	OX	OX
Sensible Control	Sensor is Furnished Factory	O	O	O	O	O
Single Enthalpy (Not for Title 24)	<b>21Z09</b>	OX	OX	OX	OX	OX
Building Pressure Control	<b>13J77</b>	X	X	X	X	X
Outdoor Air CFM Control	<b>13J76</b>	X	X	X	X	X
Global Control	Sensor Field Provided Factory	O	O	O	O	O
<b>OUTDOOR AIR</b>						
<b>Outdoor Air Dampers With Outdoor Air Hood</b>						
Motorized	<b>14G28</b>	OX	OX	OX	OX	OX
Manual	<b>14G29</b>	X	X	X	X	X
<b>POWER EXHAUST</b>						
Standard Static	208/230V-3ph <b>53W44</b>	OX	OX	OX	OX	OX
	460V-3ph <b>53W45</b>	OX	OX	OX	OX	OX
	575V-3ph <b>53W46</b>	OX	OX	OX	OX	OX
<b>ROOF CURBS</b>						
<b>Hybrid Roof Curbs, Downflow</b>						
8 in. height	<b>11F54</b>	X	X	X	X	X
14 in. height	<b>11F55</b>	X	X	X	X	X
18 in. height	<b>11F56</b>	X	X	X	X	X
24 in. height	<b>11F57</b>	X	X	X	X	X
<b>Adjustable Pitch Curb</b>						
14 in. height	<b>54W50</b>	X	X	X	X	X
<b>CEILING DIFFUSERS</b>						
Step-Down - Order one	RTD11-95S <b>13K61</b>	X	X			
	RTD11-135S <b>13K62</b>			X	X	X
Flush - Order one	FD11-95S <b>13K56</b>	X	X			
	FD11-135S <b>13K57</b>			X	X	X
Transitions (Supply and Return) - Order one	C1DIFF30B-1 <b>12X65</b>	X	X			
	C1DIFF31B-1 <b>12X66</b>			X	X	X

NOTE - Order Numbers shown are for ordering field installed accessories.  
OX = Configure To Order (Factory Installed) or Field Installed.  
O = Configure To Order (Factory Installed).  
X = Field Installed.

SPECIFICATIONS		6.5 TON   7.5 TON   8.5 TON			
Model		LHT078H5E	LHT092H5E	LHT102H5E	
<b>Nominal Tonnage</b>		6.5 Ton	7.5 Ton	8.5 Ton	
<b>Efficiency Type</b>		High	High	High	
<b>Blower Type</b>		DirectPlus™ ECM Direct Drive with MSAV®	DirectPlus™ ECM Direct Drive with MSAV®	DirectPlus™ ECM Direct Drive with MSAV®	
<b>Cooling Performance</b>	Gross Cooling Capacity (Btuh)	79,000	92,000	101,000	
	<sup>1</sup> Net Cooling Capacity (Btuh)	78,000	90,000	98,000	
	<sup>1</sup> AHRI Rated Air Flow (cfm)	2400	2600	2800	
	<sup>1</sup> IEER (Btuh/Watt)	17.0	16.8	16.8	
	<sup>1</sup> EER (Btuh/Watt)	12.7	12.3	12.1	
	Total Unit Power (kW)	6.4	7.3	8.3	
<b>Heating Performance</b>	<sup>1</sup> Total High Heat Capacity (Btuh)	73,000	86,000	96,000	
	<sup>1</sup> AHRI Rated Air Flow (cfm)	2600	3200	3400	
	<sup>1</sup> COP	3.5	3.5	3.5	
	Total Unit Power (kW)	6.0	7.2	7.8	
	<sup>1</sup> Total Low Heat Capacity (Btuh)	40,000	46,000	53,000	
	<sup>1</sup> COP	2.25	2.25	2.25	
Total Unit Power (kW)	5.2	6.5	7.2		
<b>Sound Rating Number</b>	dBA	88	88	88	
<b>Refrigerant Charge</b>	Refrigerant Type		R-454B	R-454B	R-454B
	Without Reheat Option	Circuit 1	11 lbs. 8 oz.	11 lbs. 0 oz.	10 lbs. 12 oz.
		Circuit 2	11 lbs. 0 oz.	11 lbs. 4 oz.	11 lbs. 4 oz.
<b>Electric Heat Available - See Page 18</b>		7.5, 15, 22.5, 30 kW	7.5, 15, 22.5, 30, 45 kW		
<b>Compressor Type (number)</b>		Two-Stage Scroll (1) Single-Stage Scroll (1)			
<b>Outdoor Coil</b>	Net face area - ft. <sup>2</sup> (total)	25.9	25.9	25.9	
	Tube diameter - in.	3/8	3/8	3/8	
	Rows	3	3	3	
	Fins - in.	20	20	20	
<b>Outdoor Coil Fans</b>	Motor HP (number and type)	1/3 (2 ECM)	1/3 (2 ECM)	1/3 (2 ECM)	
	Rpm	300-1100	300-1100	300-1100	
	Watts (total)	100-820	100-820	100-820	
	Diameter (Number) - in.	(2) 24	(2) 24	(2) 24	
	Blades	3	3	3	
	Total Air volume - cfm	2000-7500	2000-7500	2000-7500	
<b>Indoor Coil</b>	Net face area - ft. <sup>2</sup> (total)	13.5	13.5	13.5	
	Tube diameter - in.	3/8	3/8	3/8	
	Rows	4	4	4	
	Fins - in.	14	14	14	
	Condensate drain size (NPT) - in.	(1) 1			
Expansion device type		Balanced Port Thermostatic Expansion Valve			
<b>Indoor Blower</b>	Nominal motor HP	3.75 HP (ECM)	3.75 HP (ECM)	3.75 HP (ECM)	
	Wheel (Number) diameter x width - in.	(1) 22 x 19	(1) 22 x 19	(1) 22 x 19	
<b>Filters</b>	Type of filter	MERV 4, Disposable			
	Number and size - in.	(4) 20 x 25 x 2			
<b>Line voltage data (Volts-Phase-Hz)</b>		208/230-3-60, 460-3-60, 575-3-60			

NOTE - Net capacity includes evaporator blower motor heat deduction. Gross capacity does not include evaporator blower motor heat deduction.

<sup>1</sup> AHRI Certified to AHRI Standard 340/360; 95°F outdoor air temperature and 80°F db/67°F wb entering evaporator air; minimum external duct static pressure.

SPECIFICATIONS		10 TON   12.5 TON		
Model		LHT120H5E	LHT152H5E	
Nominal Tonnage		10 Ton	12.5 Ton	
Efficiency Type		High	High	
Blower Type		DirectPlus™ ECM Direct Drive with MSAV®	DirectPlus™ ECM Direct Drive with MSAV®	
Cooling Performance	Gross Cooling Capacity (Btuh)	119,000	140,000	
	<sup>1</sup> Net Cooling Capacity (Btuh)	116,000	136,000	
	<sup>1</sup> AHRI Rated Air Flow (cfm)	3500	4200	
	<sup>1</sup> IEER (Btuh/Watt)	16.6	15.2	
	<sup>1</sup> EER (Btuh/Watt)	12.0	11.1	
	Total Unit Power (kW)	10.0	12.6	
	<sup>1</sup> Total High Heat Capacity (Btuh)	112,000	128,000	
	<sup>1</sup> AHRI Rated Air Flow (cfm)	3600	4200	
	<sup>1</sup> COP	3.5	3.4	
	Total Unit Power (kW)	9.3	11.4	
	<sup>1</sup> Total Low Heat Capacity (Btuh)	63,000	73,000	
	<sup>1</sup> COP	2.25	2.1	
	Total Unit Power (kW)	8.2	10.3	
	Sound Rating Number	dBA	88	87
Refrigerant Charge	Refrigerant Type	R-454B	R-454B	
	Without Reheat Option	Circuit 1	10 lbs. 11 oz.	15 lbs. 0 oz.
		Circuit 2	10 lbs. 10 oz.	12 lbs. 12 oz.
Electric Heat Available - See Page 18		15, 22.5, 30, 45, 60 kW		
Compressor Type (number)		Two-Stage Scroll (1) Single-Stage Scroll (1)		
Outdoor Coil	Net face area - ft. <sup>2</sup> (total)	25.9	29.4	
		3/8	3/8	
	Number of rows	3	3	
	Fins - in.	20	20	
Outdoor Coil Fans	Motor HP (number and type)	1/3 (2 ECM)	1/3 (4 ECM)	
	Rpm	300-1100	300-1100	
	Watts (total)	100-820	200-1400	
	Diameter (Number) - in.	(2) 24	(4) 24	
	Blades	3	3	
	Total Air volume - cfm	2000-7500	3000-9000	
Indoor Coil	Net face area - ft. <sup>2</sup> (total)	13.54	13.54	
	Tube diameter - in.	3/8	3/8	
	Rows	4	4	
	Fins - in.	14	14	
	Condensate drain size (NPT) - in.	(1) 1		
Indoor Blower	Expansion device type	Balanced Port Thermostatic Expansion Valve		
	Nominal motor output	3.75 HP (ECM)	3.75 HP (ECM)	
	Wheel (Number) diameter x width - in.	(1) 22 x 9	(1) 22 x 9	
Filters	Type of filter	MERV 4, Disposable		
	Number and size - in.	(4) 20 x 25 x 2		
Line voltage data (Volts-Phase-Hz)		208/230-3-60, 460-3-60, 575-3-60		

NOTE - Net capacity includes evaporator blower motor heat deduction. Gross capacity does not include evaporator blower motor heat deduction.

<sup>1</sup> AHRI Certified to AHRI Standard 340/360; 95°F outdoor air temperature and 80°F db/67°F wb entering evaporator air; minimum external duct static pressure.

# COOLING/HEATING RATINGS

NOTE – For Temperatures and Capacities not shown in tables, see bulletin – Cooling Unit Rating Table Correction Factor Data in Miscellaneous Engineering Data section.

## 6.5 TON - COOLING LHT078H5E (1 COMPRESSOR - PART LOAD)

Entering Wet Bulb Temperature	Total Air Volume	Outdoor Air Temperature Entering Outdoor Coil																			
		65°F					75°F					85°F					95°F				
		Total Cool Cap.	Comp. Motor Input	Sensible To Total Ratio (S/T)			Total Cool Cap.	Comp. Motor Input	Sensible To Total Ratio (S/T)			Total Cool Cap.	Comp. Motor Input	Sensible To Total Ratio (S/T)			Total Cool Cap.	Comp. Motor Input	Sensible To Total Ratio (S/T)		
				Dry Bulb					Dry Bulb					Dry Bulb					Dry Bulb		
cfm	kBtuh	kW	75°F	80°F	85°F	kBtuh	kW	75°F	80°F	85°F	kBtuh	kW	75°F	80°F	85°F	kBtuh	kW	75°F	80°F	85°F	
63°F	1440	36.3	1.42	0.81	0.99	1	33.8	1.7	0.84	1	1	31.4	2.01	0.85	1	1	28.5	2.34	0.89	1	1
	1800	38.5	1.38	0.89	1	1	36.2	1.67	0.91	1	1	33.7	1.99	0.95	1	1	30.7	2.34	0.99	1	1
	2160	40.5	1.34	0.96	1	1	38	1.65	0.98	1	1	35.2	1.99	1	1	1	32.3	2.34	1	1	1
67°F	1440	38.8	1.37	0.59	0.78	0.96	36.2	1.67	0.59	0.8	0.99	33.3	2	0.6	0.82	1	29.9	2.35	0.62	0.86	1
	1800	40.4	1.34	0.64	0.87	1	37.7	1.65	0.64	0.89	1	34.7	1.99	0.66	0.92	1	31.3	2.34	0.68	0.96	1
	2160	41.6	1.32	0.68	0.93	1	38.7	1.64	0.7	0.97	1	35.5	1.98	0.72	1	1	32.3	2.34	0.74	1	1
71°F	1440	41.6	1.32	0.39	0.58	0.75	38.9	1.64	0.39	0.58	0.77	35.9	1.98	0.37	0.59	0.79	32.6	2.34	0.36	0.6	0.82
	1800	43.2	1.29	0.41	0.62	0.83	40.3	1.62	0.4	0.63	0.86	37	1.97	0.4	0.65	0.89	33.7	2.34	0.39	0.67	0.93
	2160	44.3	1.26	0.43	0.67	0.91	41.4	1.6	0.42	0.69	0.94	38	1.97	0.42	0.71	0.98	34.6	2.33	0.42	0.74	1

## 6.5 TON - COOLING LHT078H5E (2 COMPRESSORS - PART LOAD / FULL LOAD)

Entering Wet Bulb Temperature	Total Air Volume	Outdoor Air Temperature Entering Outdoor Coil																			
		85°F					95°F					105°F					115°F				
		Total Cool Cap.	Comp. Motor Input	Sensible To Total Ratio (S/T)			Total Cool Cap.	Comp. Motor Input	Sensible To Total Ratio (S/T)			Total Cool Cap.	Comp. Motor Input	Sensible To Total Ratio (S/T)			Total Cool Cap.	Comp. Motor Input	Sensible To Total Ratio (S/T)		
				Dry Bulb					Dry Bulb					Dry Bulb					Dry Bulb		
cfm	kBtuh	kW	75°F	80°F	85°F	kBtuh	kW	75°F	80°F	85°F	kBtuh	kW	75°F	80°F	85°F	kBtuh	kW	75°F	80°F	85°F	
63°F	1680	67.3	3.82	0.68	0.82	0.95	61.7	4.37	0.68	0.83	0.97	55.2	4.97	0.69	0.86	1	49	5.61	0.71	0.89	1
	2100	71.4	3.78	0.73	0.89	1	65.5	4.35	0.74	0.92	1	58.8	4.96	0.76	0.95	1	52.3	5.61	0.79	0.99	1
	2520	74.6	3.76	0.79	0.97	1	68.5	4.33	0.8	0.99	1	62.6	4.94	0.83	1	1	56.4	5.6	0.87	1	1
67°F	1680	72.4	3.78	0.53	0.66	0.78	66.7	4.35	0.52	0.66	0.8	60.3	4.95	0.51	0.67	0.82	53.5	5.6	0.51	0.68	0.85
	2100	76.8	3.73	0.56	0.71	0.86	70.5	4.32	0.56	0.72	0.88	63.9	4.93	0.56	0.74	0.91	56.8	5.6	0.56	0.76	0.96
	2520	79.7	3.7	0.59	0.77	0.93	73.3	4.3	0.6	0.78	0.96	66.5	4.93	0.6	0.81	0.99	59.1	5.59	0.61	0.84	1
71°F	1680	77.7	3.73	0.39	0.52	0.63	71.7	4.31	0.38	0.51	0.64	65.2	4.93	0.36	0.51	0.65	58.4	5.6	0.34	0.5	0.66
	2100	82.1	3.67	0.41	0.55	0.69	75.8	4.28	0.39	0.55	0.7	69.1	4.91	0.38	0.55	0.72	62	5.59	0.36	0.55	0.74
	2520	85.5	3.63	0.42	0.58	0.74	79	4.25	0.41	0.59	0.76	72	4.9	0.4	0.59	0.78	64.5	5.58	0.39	0.6	0.82

## 6.5 TON - COOLING LHT078H5E (2 COMPRESSORS - FULL LOAD)

Entering Wet Bulb Temperature	Total Air Volume	Outdoor Air Temperature Entering Outdoor Coil																			
		85°F					95°F					105°F					115°F				
		Total Cool Cap.	Comp. Motor Input	Sensible To Total Ratio (S/T)			Total Cool Cap.	Comp. Motor Input	Sensible To Total Ratio (S/T)			Total Cool Cap.	Comp. Motor Input	Sensible To Total Ratio (S/T)			Total Cool Cap.	Comp. Motor Input	Sensible To Total Ratio (S/T)		
				Dry Bulb					Dry Bulb					Dry Bulb					Dry Bulb		
cfm	kBtuh	kW	75°F	80°F	85°F	kBtuh	kW	75°F	80°F	85°F	kBtuh	kW	75°F	80°F	85°F	kBtuh	kW	75°F	80°F	85°F	
63°F	2080	81.2	4.6	0.69	0.83	0.94	75.5	5.23	0.7	0.84	0.95	69.2	5.95	0.71	0.86	0.97	62.9	6.78	0.72	0.88	0.99
	2600	86.2	4.59	0.75	0.9	0.99	80.4	5.22	0.76	0.91	1	74	5.93	0.77	0.93	1	67.3	6.76	0.79	0.95	1
	3120	90.2	4.56	0.8	0.94	1	84.1	5.2	0.82	0.96	1	77.6	5.91	0.84	0.98	1	71.1	6.73	0.86	1	1
67°F	2080	87.1	4.58	0.54	0.67	0.8	81.1	5.22	0.53	0.67	0.81	74.4	5.92	0.53	0.68	0.83	67.6	6.76	0.53	0.69	0.85
	2600	91.7	4.56	0.57	0.72	0.87	85.4	5.2	0.57	0.73	0.89	78.4	5.91	0.57	0.75	0.9	71.3	6.73	0.57	0.77	0.92
	3120	95.1	4.54	0.6	0.78	0.92	88.5	5.18	0.61	0.79	0.94	81.5	5.9	0.61	0.81	0.96	74	6.71	0.62	0.84	0.98
71°F	2080	92.9	4.55	0.4	0.53	0.65	86.6	5.19	0.39	0.52	0.65	80.4	5.9	0.38	0.52	0.66	73.4	6.72	0.36	0.52	0.67
	2600	97.8	4.51	0.42	0.56	0.7	91.5	5.16	0.41	0.56	0.71	84.3	5.88	0.4	0.56	0.73	77	6.69	0.38	0.57	0.75
	3120	101.4	4.48	0.43	0.6	0.76	94.6	5.13	0.42	0.6	0.77	87.5	5.85	0.41	0.61	0.79	79.9	6.66	0.41	0.62	0.82

## 6.5 TON - HEATING LHT078H5E

Indoor Coil Air Volume 70°F Dry Bulb cfm	Air Temperature Entering Outdoor Coil									
	65°F		45°F		25°F		5°F		-15°F	
	Total Heating Capacity	Comp. Motor Input	Total Heating Capacity	Comp. Motor Input	Total Heating Capacity	Comp. Motor Input	Total Heating Capacity	Comp. Motor Input	Total Heating Capacity	Comp. Motor Input
	kBtuh	kW	kBtuh	kW	kBtuh	kW	kBtuh	kW	kBtuh	kW
2080	93.6	5.42	71.6	4.98	51.4	4.62	32.5	4.44	16.9	4.35
2600	96.3	5.10	72.6	4.59	52.4	4.42	33.6	4.12	17.4	4.07
3120	98.4	4.57	73.5	4.35	53.6	4.17	34.0	4.12	17.7	4.10

# COOLING/HEATING RATINGS

NOTE – For Temperatures and Capacities not shown in tables, see bulletin – Cooling Unit Rating Table Correction Factor Data in Miscellaneous Engineering Data section.

## 7.5 TON - COOLING LHT092H5E (1 COMPRESSOR - PART LOAD)

Entering Wet Bulb Temperature	Total Air Volume	Outdoor Air Temperature Entering Outdoor Coil																			
		65°F					75°F					85°F					95°F				
		Total Cool Cap.	Comp. Motor Input	Sensible To Total Ratio (S/T) Dry Bulb			Total Cool Cap.	Comp. Motor Input	Sensible To Total Ratio (S/T) Dry Bulb			Total Cool Cap.	Comp. Motor Input	Sensible To Total Ratio (S/T) Dry Bulb			Total Cool Cap.	Comp. Motor Input	Sensible To Total Ratio (S/T) Dry Bulb		
				75°F	80°F	85°F			75°F	80°F	85°F			75°F	80°F	85°F			75°F	80°F	85°F
63°F	1600	37.3	1.32	0.8	1	1	35	1.6	0.82	1	1	32.5	1.92	0.85	1	1	29.8	2.26	0.88	1	1
	2000	39.6	1.27	0.87	1	1	37.2	1.57	0.9	1	1	34.5	1.91	0.94	1	1	31.6	2.25	1	1	1
	2400	41.4	1.23	0.94	1	1	38.9	1.55	1	1	1	36.1	1.89	1	1	1	33.1	2.25	1	1	1
67°F	1600	39.7	1.27	0.59	0.78	0.96	37	1.58	0.58	0.79	1	33.9	1.91	0.59	0.82	1	30.8	2.25	0.6	0.86	1
	2000	41.1	1.24	0.63	0.85	1	38.4	1.56	0.64	0.88	1	35.2	1.9	0.65	0.92	1	32	2.25	0.67	0.96	1
	2400	42.3	1.21	0.67	0.92	1	39.1	1.54	0.69	0.96	1	36.2	1.89	0.71	1	1	33.1	2.25	0.74	1	1
71°F	1600	42.3	1.21	0.38	0.57	0.75	39.4	1.54	0.37	0.57	0.77	36.4	1.89	0.36	0.58	0.8	33.2	2.25	0.35	0.6	0.83
	2000	43.8	1.18	0.39	0.62	0.83	40.7	1.52	0.39	0.63	0.86	37.6	1.88	0.39	0.65	0.89	34.4	2.25	0.38	0.66	0.94
	2400	44.8	1.15	0.41	0.66	0.9	41.7	1.5	0.41	0.69	0.94	38.5	1.87	0.41	0.71	1	35.2	2.25	0.41	0.74	1

## 7.5 TON - COOLING LHT092H5E (2 COMPRESSORS - PART LOAD / FULL LOAD)

Entering Wet Bulb Temperature	Total Air Volume	Outdoor Air Temperature Entering Outdoor Coil																			
		85°F					95°F					105°F					115°F				
		Total Cool Cap.	Comp. Motor Input	Sensible To Total Ratio (S/T) Dry Bulb			Total Cool Cap.	Comp. Motor Input	Sensible To Total Ratio (S/T) Dry Bulb			Total Cool Cap.	Comp. Motor Input	Sensible To Total Ratio (S/T) Dry Bulb			Total Cool Cap.	Comp. Motor Input	Sensible To Total Ratio (S/T) Dry Bulb		
				75°F	80°F	85°F			75°F	80°F	85°F			75°F	80°F	85°F			75°F	80°F	85°F
63°F	1920	74	4.65	0.68	0.82	0.95	68	5.32	0.69	0.84	0.98	61.9	6.05	0.69	0.86	1	55.4	6.84	0.71	0.89	1
	2400	78.4	4.64	0.74	0.89	1	72.3	5.32	0.75	0.92	1	65.7	6.06	0.76	0.95	1	59.2	6.86	0.78	0.98	1
	2880	81.9	4.63	0.79	0.96	1	75.5	5.32	0.81	0.99	1	69.5	6.07	0.83	1	1	63	6.88	0.86	1	1
67°F	1920	79.5	4.63	0.53	0.66	0.78	73.6	5.31	0.53	0.66	0.8	67.2	6.06	0.52	0.67	0.82	60.2	6.86	0.52	0.69	0.85
	2400	84.3	4.62	0.56	0.71	0.85	77.9	5.32	0.56	0.72	0.88	71.2	6.07	0.56	0.74	0.91	63.7	6.88	0.56	0.76	0.95
	2880	87.3	4.61	0.59	0.76	0.93	80.8	5.32	0.6	0.78	0.95	73.8	6.08	0.6	0.8	0.98	66.3	6.9	0.61	0.83	1
71°F	1920	84.9	4.62	0.4	0.52	0.64	78.7	5.31	0.39	0.52	0.64	72.1	6.07	0.37	0.51	0.65	65.2	6.89	0.35	0.51	0.66
	2400	89.7	4.6	0.41	0.55	0.69	83.3	5.32	0.4	0.55	0.7	76.5	6.09	0.39	0.55	0.71	69.2	6.92	0.38	0.56	0.74
	2880	93.3	4.58	0.43	0.59	0.74	86.6	5.31	0.42	0.59	0.76	79.5	6.1	0.41	0.6	0.78	71.8	6.93	0.4	0.61	0.81

## 7.5 TON - COOLING LHT092H5E (2 COMPRESSORS - FULL LOAD)

Entering Wet Bulb Temperature	Total Air Volume	Outdoor Air Temperature Entering Outdoor Coil																			
		85°F					95°F					105°F					115°F				
		Total Cool Cap.	Comp. Motor Input	Sensible To Total Ratio (S/T) Dry Bulb			Total Cool Cap.	Comp. Motor Input	Sensible To Total Ratio (S/T) Dry Bulb			Total Cool Cap.	Comp. Motor Input	Sensible To Total Ratio (S/T) Dry Bulb			Total Cool Cap.	Comp. Motor Input	Sensible To Total Ratio (S/T) Dry Bulb		
				75°F	80°F	85°F			75°F	80°F	85°F			75°F	80°F	85°F			75°F	80°F	85°F
63°F	2400	91.9	5.44	0.7	0.83	0.96	85.7	6.16	0.7	0.85	0.97	78.8	6.99	0.71	0.87	0.99	72.2	7.95	0.72	0.9	1
	3000	97.1	5.45	0.75	0.91	1	90.2	6.17	0.76	0.93	1	83.7	7.01	0.78	0.95	1	76.8	7.96	0.8	0.97	1
	3600	100.8	5.45	0.8	0.97	1	94.4	6.18	0.82	0.99	1	87.9	7.01	0.84	1	1	81.3	7.97	0.87	1	1
67°F	2400	98.4	5.45	0.55	0.67	0.8	92	6.17	0.54	0.68	0.81	85.2	7.01	0.54	0.69	0.83	78.1	7.96	0.54	0.7	0.86
	3000	103.2	5.45	0.58	0.73	0.87	96.5	6.18	0.58	0.74	0.9	89.5	7.01	0.58	0.75	0.92	81.9	7.96	0.58	0.77	0.95
	3600	106.9	5.45	0.61	0.78	0.94	100	6.18	0.62	0.8	0.97	92.6	7.02	0.62	0.82	0.98	85	7.97	0.63	0.84	1
71°F	2400	104.5	5.46	0.41	0.53	0.65	98	6.18	0.4	0.53	0.66	91.1	7.02	0.39	0.53	0.67	83.9	7.97	0.37	0.53	0.68
	3000	110.2	5.46	0.42	0.57	0.7	103.2	6.19	0.41	0.57	0.72	95.9	7.02	0.4	0.57	0.73	88	7.97	0.4	0.58	0.75
	3600	114	5.46	0.44	0.6	0.76	106.9	6.19	0.43	0.61	0.78	99	7.02	0.42	0.61	0.8	90.7	7.97	0.42	0.62	0.82

## 7.5 TON - HEATING LHT092H5E

Indoor Coil Air Volume 70°F Dry Bulb cfm	Air Temperature Entering Outdoor Coil									
	65°F		45°F		25°F		5°F		-15°F	
	Total Heating Capacity	Comp. Motor Input	Total Heating Capacity	Comp. Motor Input	Total Heating Capacity	Comp. Motor Input	Total Heating Capacity	Comp. Motor Input	Total Heating Capacity	Comp. Motor Input
	kBtuh	kW	kBtuh	kW	kBtuh	kW	kBtuh	kW	kBtuh	kW
2400	110.5	6.48	84.8	5.88	59.6	5.37	37.8	5.15	21.1	5.04
3000	113.8	5.89	87.1	5.45	61.0	5.07	38.9	4.94	21.8	4.88
3600	116.3	5.53	88.9	5.18	62.1	4.88	39.9	4.82	22.5	4.79

# COOLING/HEATING RATINGS

NOTE – For Temperatures and Capacities not shown in tables, see bulletin – Cooling Unit Rating Table Correction Factor Data in Miscellaneous Engineering Data section.

## 8.5 TON - COOLING LHT102H5E (1 COMPRESSOR - PART LOAD)

Entering Wet Bulb Temperature	Total Air Volume	Outdoor Air Temperature Entering Outdoor Coil																			
		65°F					75°F					85°F					95°F				
		Total Cool Cap.	Comp. Motor Input	Sensible To Total Ratio (S/T)			Total Cool Cap.	Comp. Motor Input	Sensible To Total Ratio (S/T)			Total Cool Cap.	Comp. Motor Input	Sensible To Total Ratio (S/T)			Total Cool Cap.	Comp. Motor Input	Sensible To Total Ratio (S/T)		
				Dry Bulb					Dry Bulb					Dry Bulb					Dry Bulb		
cfm	kBtuh	kW	75°F	80°F	85°F	kBtuh	kW	75°F	80°F	85°F	kBtuh	kW	75°F	80°F	85°F	kBtuh	kW	75°F	80°F	85°F	
63°F	1760	39.5	1.34	0.99	1	1	37.1	1.63	0.99	1	1	34.6	1.95	1	1	1	31.8	2.29	1	1	1
	2200	41.9	1.29	1	1	1	39.4	1.6	1	1	1	36.5	1.94	1	0.99	1	33.6	2.29	0.99	0.99	1
	2640	43.7	1.26	1	0.99	1	41.1	1.58	0.99	0.99	1	38.1	1.92	1	0.99	1	35.1	2.28	1	0.99	0.99
67°F	1760	41.5	1.3	0.87	0.98	1	38.7	1.61	0.88	0.99	1	35.5	1.94	0.89	1	1	32.3	2.29	0.9	1	0.99
	2200	43	1.27	0.91	1	1	40.2	1.59	0.92	1	0.99	36.8	1.93	0.93	1	0.99	33.6	2.29	0.94	0.99	0.99
	2640	44.1	1.25	0.94	1	0.99	41.3	1.57	0.95	1	0.99	38.1	1.92	0.96	1	0.99	35	2.28	0.98	1	0.99
71°F	1760	44.3	1.24	0.66	0.86	0.98	41.5	1.57	0.65	0.87	0.98	38.2	1.92	0.64	0.88	0.99	34.8	2.28	0.63	0.9	1
	2200	45.7	1.21	0.68	0.9	1	42.6	1.55	0.68	0.92	1	39.4	1.92	0.68	0.93	1	36	2.28	0.67	0.94	1
	2640	46.8	1.19	0.7	0.94	1	43.5	1.54	0.71	0.95	1	40.3	1.91	0.71	0.96	1	36.7	2.28	1	1	1

## 8.5 TON - COOLING LHT102H5E (2 COMPRESSORS - PART LOAD / FULL LOAD)

Entering Wet Bulb Temperature	Total Air Volume	Outdoor Air Temperature Entering Outdoor Coil																			
		85°F					95°F					105°F					115°F				
		Total Cool Cap.	Comp. Motor Input	Sensible To Total Ratio (S/T)			Total Cool Cap.	Comp. Motor Input	Sensible To Total Ratio (S/T)			Total Cool Cap.	Comp. Motor Input	Sensible To Total Ratio (S/T)			Total Cool Cap.	Comp. Motor Input	Sensible To Total Ratio (S/T)		
				Dry Bulb					Dry Bulb					Dry Bulb					Dry Bulb		
cfm	kBtuh	kW	75°F	80°F	85°F	kBtuh	kW	75°F	80°F	85°F	kBtuh	kW	75°F	80°F	85°F	kBtuh	kW	75°F	80°F	85°F	
63°F	2160	86	5.32	0.69	0.82	0.95	79.9	6.14	0.69	0.84	0.96	73	7.05	0.7	0.86	0.98	65.6	8.03	0.72	0.89	1
	2700	91	5.32	0.74	0.89	1	84.5	6.15	0.75	0.91	1	77.9	7.05	0.77	0.94	1	70.3	8.05	0.79	0.96	1
	3240	95.3	5.31	0.79	0.95	1	88.8	6.16	0.8	0.96	1	81.9	7.07	0.83	0.98	1	74.3	8.07	0.86	1	1
67°F	2160	92.1	5.31	0.54	0.66	0.79	85.7	6.15	0.53	0.67	0.8	79	7.05	0.53	0.68	0.82	71.4	8.05	0.53	0.69	0.85
	2700	97.6	5.31	0.57	0.71	0.85	90.6	6.16	0.57	0.73	0.88	83.3	7.08	0.57	0.74	0.91	75.5	8.08	0.57	0.76	0.93
	3240	101.2	5.31	0.6	0.77	0.92	94.4	6.17	0.6	0.78	0.94	86.4	7.09	0.61	0.8	0.96	78.4	8.1	0.62	0.83	0.98
71°F	2160	98.1	5.3	0.4	0.53	0.64	92	6.16	0.39	0.52	0.65	84.6	7.08	0.38	0.52	0.65	77.3	8.09	0.37	0.52	0.67
	2700	103.6	5.31	0.42	0.56	0.69	96.7	6.17	0.41	0.56	0.7	89.4	7.11	0.4	0.56	0.72	81.6	8.12	0.39	0.57	0.74
	3240	107.7	5.31	0.43	0.59	0.74	100.6	6.19	0.42	0.59	0.76	92.9	7.14	0.42	0.6	0.78	84.5	8.15	0.41	0.61	0.81

## 8.5 TON - COOLING LHT102H5E (2 COMPRESSORS - FULL LOAD)

Entering Wet Bulb Temperature	Total Air Volume	Outdoor Air Temperature Entering Outdoor Coil																			
		85°F					95°F					105°F					115°F				
		Total Cool Cap.	Comp. Motor Input	Sensible To Total Ratio (S/T)			Total Cool Cap.	Comp. Motor Input	Sensible To Total Ratio (S/T)			Total Cool Cap.	Comp. Motor Input	Sensible To Total Ratio (S/T)			Total Cool Cap.	Comp. Motor Input	Sensible To Total Ratio (S/T)		
				Dry Bulb					Dry Bulb					Dry Bulb					Dry Bulb		
cfm	kBtuh	kW	75°F	80°F	85°F	kBtuh	kW	75°F	80°F	85°F	kBtuh	kW	75°F	80°F	85°F	kBtuh	kW	75°F	80°F	85°F	
63°F	2720	101.9	6.06	0.7	0.84	0.97	95.4	6.91	0.71	0.86	0.99	88.5	7.91	0.72	0.88	1	81.2	9.04	0.73	0.9	1
	3400	107.3	6.08	0.75	0.92	1	100.5	6.94	0.77	0.94	1	93.2	7.92	0.78	0.96	1	85.7	9.04	0.8	0.99	1
	4080	111.5	6.09	0.81	0.98	1	104.5	6.95	0.83	1	1	97.8	7.94	0.85	1	1	90.9	9.05	0.88	1	1
67°F	2720	108.9	6.08	0.55	0.68	0.81	101.8	6.94	0.55	0.69	0.82	94.7	7.93	0.55	0.7	0.84	87.5	9.04	0.54	0.71	0.87
	3400	113.9	6.09	0.58	0.74	0.88	106.8	6.96	0.58	0.75	0.9	99.4	7.94	0.58	0.76	0.93	91.6	9.05	0.59	0.78	0.96
	4080	118	6.1	0.62	0.79	0.95	110.6	6.97	0.62	0.8	0.98	102.8	7.95	0.62	0.83	1	94.7	9.06	0.64	0.85	1
71°F	2720	115.6	6.1	0.41	0.54	0.66	108.6	6.96	0.4	0.54	0.66	101.3	7.95	0.39	0.54	0.67	93.7	9.05	0.38	0.54	0.68
	3400	121.3	6.11	0.42	0.57	0.71	114	6.98	0.42	0.57	0.72	106.1	7.96	0.41	0.58	0.74	97.6	9.07	0.4	0.58	0.76
	4080	125.4	6.12	0.44	0.61	0.77	117.4	6.98	0.44	0.61	0.79	109.2	7.97	0.43	0.62	0.8	100.9	9.08	0.43	0.63	0.83

## 8.5 TON - HEATING LHT102H5E

Indoor Coil Air Volume 70°F Dry Bulb cfm	Air Temperature Entering Outdoor Coil									
	65°F		45°F		25°F		5°F		-15°F	
	Total Heating Capacity	Comp. Motor Input	Total Heating Capacity	Comp. Motor Input	Total Heating Capacity	Comp. Motor Input	Total Heating Capacity	Comp. Motor Input	Total Heating Capacity	Comp. Motor Input
	kBtuh	kW	kBtuh	kW	kBtuh	kW	kBtuh	kW	kBtuh	kW
2720	122.3	7.09	93.5	6.4	65.4	5.88	41.6	5.67	23.8	5.50
3400	125.9	6.44	96.0	5.93	67.0	5.56	42.8	5.47	24.6	5.40
4080	128.8	6.03	98.0	5.65	68.6	5.37	43.9	5.38	25.4	5.39



# COOLING/HEATING RATINGS

NOTE – For Temperatures and Capacities not shown in tables, see bulletin – Cooling Unit Rating Table Correction Factor Data in Miscellaneous Engineering Data section.

## 10 TON - COOLING LHT120H5E (1 COMPRESSOR - PART LOAD)

Entering Wet Bulb Temperature	Total Air Volume	Outdoor Air Temperature Entering Outdoor Coil																			
		65°F					75°F					85°F					95°F				
		Total Cool Cap.	Comp. Motor Input	Sensible To Total Ratio (S/T) Dry Bulb			Total Cool Cap.	Comp. Motor Input	Sensible To Total Ratio (S/T) Dry Bulb			Total Cool Cap.	Comp. Motor Input	Sensible To Total Ratio (S/T) Dry Bulb			Total Cool Cap.	Comp. Motor Input	Sensible To Total Ratio (S/T) Dry Bulb		
				75°F	80°F	85°F			75°F	80°F	85°F			75°F	80°F	85°F			75°F	80°F	85°F
cfm	kBtuh	kW				kBtuh	kW				kBtuh	kW				kBtuh	kW				
63°F	2080	48.5	1.94	0.78	1	1	45.8	2.29	0.81	1	1	42.9	2.68	0.86	1	1	39.9	3.11	0.92	1	1
	2600	51.4	1.94	0.9	1	1	48.4	2.29	0.96	1	1	45.5	2.69	1	1	1	42.4	3.11	1	1	1
	3120	53.4	1.94	1	1	1	50.5	2.3	1	1	1	47.5	2.69	1	1	1	44.3	3.11	1	1	1
67°F	2080	51	1.94	0.44	0.73	1	47.6	2.29	0.45	0.77	1	44.3	2.69	0.46	0.81	1	40.8	3.11	0.48	0.87	1
	2600	52.6	1.94	0.51	0.87	1	49.2	2.29	0.52	0.92	1	45.9	2.69	0.55	0.98	1	42.5	3.11	0.58	1	1
	3120	53.9	1.94	0.58	1	1	50.7	2.3	0.6	1	1	47.5	2.69	0.64	1	1	44.3	3.12	0.68	1	1
71°F	2080	54	1.94	0.21	0.43	0.68	50.9	2.3	0.2	0.43	0.72	47.6	2.69	0.2	0.44	0.77	44	3.11	0.21	0.46	0.82
	2600	55.9	1.94	0.23	0.49	0.82	52.6	2.3	0.23	0.51	0.87	49.1	2.69	0.22	0.54	0.94	45.4	3.12	0.22	0.57	1
	3120	57.2	1.94	0.25	0.57	0.96	53.7	2.3	0.25	0.6	1	50	2.69	0.26	0.63	1	46.5	3.12	0.25	0.68	1

## 10 TON - COOLING LHT120H5E (2 COMPRESSORS - PART LOAD / FULL LOAD)

Entering Wet Bulb Temperature	Total Air Volume	Outdoor Air Temperature Entering Outdoor Coil																			
		85°F					95°F					105°F					115°F				
		Total Cool Cap.	Comp. Motor Input	Sensible To Total Ratio (S/T) Dry Bulb			Total Cool Cap.	Comp. Motor Input	Sensible To Total Ratio (S/T) Dry Bulb			Total Cool Cap.	Comp. Motor Input	Sensible To Total Ratio (S/T) Dry Bulb			Total Cool Cap.	Comp. Motor Input	Sensible To Total Ratio (S/T) Dry Bulb		
				75°F	80°F	85°F			75°F	80°F	85°F			75°F	80°F	85°F			75°F	80°F	85°F
cfm	kBtuh	kW				kBtuh	kW				kBtuh	kW				kBtuh	kW				
63°F	2560	99.9	6.17	0.71	0.85	0.98	93.3	7.06	0.72	0.87	0.99	85.8	8.07	0.73	0.89	1	78.3	9.2	0.74	0.92	1
	3200	105.2	6.2	0.76	0.93	1	98.4	7.09	0.78	0.95	1	90.6	8.09	0.79	0.97	1	83.3	9.22	0.82	0.99	1
	3840	109.8	6.21	0.82	0.98	1	102.9	7.11	0.84	0.99	1	95.8	8.13	0.86	1	1	88.6	9.25	0.89	1	1
67°F	2560	106.7	6.2	0.55	0.68	0.81	99.8	7.1	0.55	0.69	0.83	92.8	8.11	0.55	0.7	0.85	85	9.22	0.55	0.72	0.88
	3200	112.4	6.23	0.58	0.74	0.89	105.1	7.13	0.59	0.75	0.92	97.4	8.14	0.59	0.77	0.94	89.2	9.26	0.59	0.79	0.97
	3840	116.4	6.26	0.62	0.8	0.96	108.7	7.16	0.62	0.81	0.98	100.7	8.16	0.64	0.84	0.99	92.4	9.28	0.64	0.87	1
71°F	2560	114	6.24	0.41	0.54	0.66	106.9	7.14	0.4	0.54	0.67	99.2	8.15	0.39	0.54	0.68	91.2	9.26	0.38	0.54	0.69
	3200	120.2	6.27	0.43	0.57	0.72	112.3	7.17	0.42	0.58	0.73	104.5	8.18	0.41	0.58	0.75	96	9.3	0.41	0.59	0.77
	3840	124.4	6.3	0.44	0.61	0.77	116.5	7.2	0.44	0.62	0.79	108.2	8.21	0.43	0.62	0.81	98.8	9.32	0.43	0.64	0.84

## 10 TON - COOLING LHT120H5E (2 COMPRESSORS - FULL LOAD)

Entering Wet Bulb Temperature	Total Air Volume	Outdoor Air Temperature Entering Outdoor Coil																			
		85°F					95°F					105°F					115°F				
		Total Cool Cap.	Comp. Motor Input	Sensible To Total Ratio (S/T) Dry Bulb			Total Cool Cap.	Comp. Motor Input	Sensible To Total Ratio (S/T) Dry Bulb			Total Cool Cap.	Comp. Motor Input	Sensible To Total Ratio (S/T) Dry Bulb			Total Cool Cap.	Comp. Motor Input	Sensible To Total Ratio (S/T) Dry Bulb		
				75°F	80°F	85°F			75°F	80°F	85°F			75°F	80°F	85°F			75°F	80°F	85°F
cfm	kBtuh	kW				kBtuh	kW				kBtuh	kW				kBtuh	kW				
63°F	3200	119.6	7.19	0.71	0.86	0.98	111.8	8.11	0.72	0.88	0.99	103.4	9.15	0.73	0.9	1	95.4	10.31	0.75	0.93	1
	4000	125.9	7.25	0.77	0.93	1	117.4	8.17	0.79	0.96	1	109.3	9.21	0.8	0.98	1	101	10.38	0.83	1	1
	4800	130.7	7.3	0.83	0.99	1	122.8	8.23	0.85	1	1	115.3	9.28	0.87	1	1	106.7	10.45	0.9	1	1
67°F	3200	127.6	7.27	0.56	0.69	0.82	119.5	8.19	0.55	0.7	0.84	111.1	9.23	0.56	0.71	0.86	102.5	10.4	0.56	0.73	0.89
	4000	133.4	7.33	0.59	0.75	0.9	125	8.26	0.59	0.76	0.93	116.2	9.29	0.6	0.78	0.95	106.7	10.45	0.6	0.81	0.98
	4800	137.5	7.38	0.63	0.81	0.97	128.6	8.3	0.63	0.83	0.99	119.6	9.33	0.64	0.85	1	110.1	10.49	0.65	0.88	1
71°F	3200	135.7	7.36	0.41	0.54	0.67	127	8.28	0.41	0.54	0.68	118.4	9.32	0.4	0.55	0.69	109.6	10.48	0.39	0.55	0.7
	4000	141.7	7.42	0.42	0.58	0.72	133.1	8.35	0.42	0.58	0.74	124.2	9.39	0.42	0.59	0.76	113.9	10.54	0.41	0.6	0.78
	4800	146.5	7.47	0.44	0.61	0.78	137.1	8.39	0.44	0.63	0.81	127.6	9.43	0.44	0.63	0.83	118	10.59	0.44	0.65	0.86

## 10 TON - HEATING LHT120H5E

Indoor Coil Air Volume 70°F Dry Bulb cfm	Air Temperature Entering Outdoor Coil									
	65°F		45°F		25°F		5°F		-15°F	
	Total Heating Capacity	Comp. Motor Input	Total Heating Capacity	Comp. Motor Input	Total Heating Capacity	Comp. Motor Input	Total Heating Capacity	Comp. Motor Input	Total Heating Capacity	Comp. Motor Input
	kBtuh	kW	kBtuh	kW	kBtuh	kW	kBtuh	kW	kBtuh	kW
3200	137.5	8.26	105.8	7.39	75.3	6.69	47.9	6.13	26.3	5.74
4000	142.5	7.59	109.4	6.90	77.8	6.37	50.0	5.93	27.9	5.69
4800	147.2	7.17	112.8	6.59	80.7	6.16	52.4	5.82	29.7	5.66

# COOLING/HEATING RATINGS

NOTE – For Temperatures and Capacities not shown in tables, see bulletin – Cooling Unit Rating Table Correction Factor Data in Miscellaneous Engineering Data section.

## 12.5 TON - COOLING LHT152H5E (1 COMPRESSOR - PART LOAD)

Entering Wet Bulb Temperature	Total Air Volume	Outdoor Air Temperature Entering Outdoor Coil																			
		65°F					75°F					85°F					95°F				
		Total Cool Cap.	Comp. Motor Input	Sensible To Total Ratio (S/T)			Total Cool Cap.	Comp. Motor Input	Sensible To Total Ratio (S/T)			Total Cool Cap.	Comp. Motor Input	Sensible To Total Ratio (S/T)			Total Cool Cap.	Comp. Motor Input	Sensible To Total Ratio (S/T)		
				Dry Bulb					Dry Bulb					Dry Bulb					Dry Bulb		
cfm	kBtuh	kW	75°F	80°F	85°F	kBtuh	kW	75°F	80°F	85°F	kBtuh	kW	75°F	80°F	85°F	kBtuh	kW	75°F	80°F	85°F	
63°F	2400	55.6	2.3	0.83	1	1	52.4	2.66	0.85	1	1	49.6	3.07	0.87	1	1	46.4	3.54	0.9	1	1
	3000	58.7	2.29	0.9	1	1	55.7	2.65	0.93	1	1	52.8	3.06	0.96	1	1	49.1	3.53	1	1	1
	3600	61.2	2.28	0.97	1	1	58.1	2.64	1	1	1	54.8	3.06	1	1	1	51.2	3.53	1	1	1
67°F	2400	58.6	2.29	0.59	0.8	0.98	55.3	2.65	0.6	0.82	1	51.9	3.07	0.61	0.84	1	47.9	3.53	0.62	0.87	1
	3000	60.8	2.29	0.64	0.88	1	57.3	2.64	0.65	0.9	1	53.6	3.06	0.67	0.93	1	49.7	3.53	0.68	0.97	1
	3600	62.4	2.28	0.7	0.95	1	59.1	2.64	0.71	0.98	1	55.1	3.06	0.73	1	1	51.3	3.53	0.75	1	1
71°F	2400	62.4	2.28	0.38	0.58	0.77	59.2	2.64	0.38	0.59	0.79	55.6	3.06	0.37	0.6	0.81	51.5	3.53	0.37	0.61	0.84
	3000	64.6	2.27	0.4	0.63	0.85	60.9	2.63	0.39	0.65	0.88	57.2	3.05	0.39	0.66	0.9	53.1	3.52	0.39	0.68	0.94
	3600	66.1	2.27	0.43	0.69	0.92	62.5	2.63	0.42	0.7	0.95	58.6	3.04	0.42	0.72	0.99	54.4	3.51	0.43	0.74	1

## 12.5 TON - COOLING LHT152H5E (2 COMPRESSORS - PART LOAD / FULL LOAD)

Entering Wet Bulb Temperature	Total Air Volume	Outdoor Air Temperature Entering Outdoor Coil																			
		85°F					95°F					105°F					115°F				
		Total Cool Cap.	Comp. Motor Input	Sensible To Total Ratio (S/T)			Total Cool Cap.	Comp. Motor Input	Sensible To Total Ratio (S/T)			Total Cool Cap.	Comp. Motor Input	Sensible To Total Ratio (S/T)			Total Cool Cap.	Comp. Motor Input	Sensible To Total Ratio (S/T)		
				Dry Bulb					Dry Bulb					Dry Bulb					Dry Bulb		
cfm	kBtuh	kW	75°F	80°F	85°F	kBtuh	kW	75°F	80°F	85°F	kBtuh	kW	75°F	80°F	85°F	kBtuh	kW	75°F	80°F	85°F	
63°F	2880	115.3	7.67	0.69	0.82	0.95	107.9	8.74	0.69	0.83	0.97	99.7	9.92	0.7	0.85	0.98	92.1	11.28	0.71	0.88	1
	3600	122.1	7.71	0.74	0.89	1	114.1	8.78	0.75	0.91	1	105.7	9.96	0.76	0.94	1	97.1	11.29	0.78	0.96	1
	4320	126.4	7.73	0.78	0.96	1	119.1	8.81	0.8	0.97	1	111.2	10	0.82	0.98	1	102.4	11.34	0.85	1	1
67°F	2880	123.1	7.71	0.54	0.66	0.78	116	8.78	0.54	0.67	0.8	107.5	9.97	0.54	0.68	0.82	99.2	11.3	0.53	0.69	0.84
	3600	130.6	7.75	0.57	0.71	0.85	122	8.82	0.57	0.72	0.87	113.5	10.01	0.57	0.74	0.9	104.7	11.36	0.58	0.76	0.93
	4320	135.1	7.77	0.6	0.76	0.92	126.7	8.85	0.6	0.78	0.94	118	10.05	0.61	0.8	0.97	108.2	11.39	0.62	0.82	0.98
71°F	2880	131.7	7.75	0.41	0.53	0.64	123.4	8.82	0.4	0.52	0.65	115.3	10.02	0.39	0.52	0.65	106.6	11.37	0.38	0.52	0.67
	3600	138.6	7.77	0.42	0.56	0.69	130.4	8.86	0.41	0.56	0.7	121.7	10.07	0.41	0.56	0.71	112.5	11.41	0.4	0.57	0.73
	4320	144.3	7.8	0.43	0.59	0.74	135.2	8.89	0.43	0.59	0.75	126	10.09	0.42	0.6	0.77	116.5	11.44	0.42	0.61	0.8

## 12.5 TON - COOLING LHT152H5E (2 COMPRESSORS - FULL LOAD)

Entering Wet Bulb Temperature	Total Air Volume	Outdoor Air Temperature Entering Outdoor Coil																			
		85°F					95°F					105°F					115°F				
		Total Cool Cap.	Comp. Motor Input	Sensible To Total Ratio (S/T)			Total Cool Cap.	Comp. Motor Input	Sensible To Total Ratio (S/T)			Total Cool Cap.	Comp. Motor Input	Sensible To Total Ratio (S/T)			Total Cool Cap.	Comp. Motor Input	Sensible To Total Ratio (S/T)		
				Dry Bulb					Dry Bulb					Dry Bulb					Dry Bulb		
cfm	kBtuh	kW	75°F	80°F	85°F	kBtuh	kW	75°F	80°F	85°F	kBtuh	kW	75°F	80°F	85°F	kBtuh	kW	75°F	80°F	85°F	
63°F	3680	136.7	8.75	0.71	0.84	0.97	128.5	9.91	0.71	0.86	0.99	118.9	11.21	0.72	0.88	1	110.2	12.68	0.74	0.91	1
	4600	142.8	8.8	0.76	0.92	1	134.6	9.97	0.77	0.94	1	125	11.27	0.79	0.97	1	115.9	12.74	0.81	0.99	1
	5520	148.4	8.84	0.81	0.98	1	139.7	10.02	0.83	1	1	131.4	11.34	0.85	1	1	122.7	12.81	0.88	1	1
67°F	3680	145	8.81	0.55	0.68	0.81	136.6	9.99	0.55	0.69	0.83	127.4	11.29	0.55	0.7	0.85	118.3	12.76	0.56	0.72	0.87
	4600	152.3	8.87	0.58	0.74	0.89	143.4	10.05	0.59	0.75	0.91	133.6	11.35	0.59	0.77	0.93	124.1	12.83	0.6	0.79	0.96
	5520	157.7	8.92	0.62	0.79	0.95	148.3	10.1	0.62	0.81	0.98	138.1	11.4	0.63	0.83	1	127.2	12.86	0.64	0.86	1
71°F	3680	154.4	8.89	0.41	0.54	0.66	145.7	10.07	0.41	0.54	0.67	136.2	11.38	0.4	0.54	0.68	126.3	12.85	0.39	0.55	0.69
	4600	161.9	8.95	0.43	0.57	0.71	152.4	10.14	0.42	0.58	0.73	142.4	11.45	0.42	0.58	0.74	131.9	12.91	0.41	0.59	0.77
	5520	166.8	8.99	0.44	0.61	0.77	156.8	10.18	0.44	0.61	0.79	147.3	11.51	0.44	0.62	0.81	136	12.96	0.43	0.64	0.84

## 12.5 TON - HEATING LHT152H5E

Indoor Coil Air Volume 70°F Dry Bulb cfm	Air Temperature Entering Outdoor Coil									
	65°F		45°F		25°F		5°F		-15°F	
	Total Heating Capacity	Comp. Motor Input	Total Heating Capacity	Comp. Motor Input	Total Heating Capacity	Comp. Motor Input	Total Heating Capacity	Comp. Motor Input	Total Heating Capacity	Comp. Motor Input
	kBtuh	kW	kBtuh	kW	kBtuh	kW	kBtuh	kW	kBtuh	kW
3800	165.4	10.10	126.0	9.01	89.3	8.12	56.9	7.44	29.3	7.20
4400	169.4	9.23	128.1	8.39	91.0	7.74	58.0	7.26	30.0	7.16
5000	175.2	8.68	132.9	8.02	94.8	7.49	61.4	7.17	33.0	7.16

## BLOWER DATA

**BLOWER TABLE INCLUDES RESISTANCE FOR BASE UNIT ONLY (NO HEAT SECTION) WITH DRY INDOOR COIL AND AIR FILTERS IN PLACE.**

FOR ALL UNITS ADD:

- 1 – Wet indoor coil air resistance of selected unit.
  - 2 – Any factory installed options air resistance (heat section, Economizer, etc.)
  - 3 – Any field installed accessories air resistance (duct resistance, diffuser, etc.)
- See Page 28 for wet coil and option/accessory air resistance data.  
See Page 28 for minimum air volume required for use with optional electric heat.

Total Air Volume cfm	Total Static Pressure - in. w.g.													
	0.2		0.4		0.6		0.8		1.0		1.2		1.4	
	RPM	Watts	RPM	Watts	RPM	Watts	RPM	Watts	RPM	Watts	RPM	Watts	RPM	Watts
1750	644	137	740	235	796	302	833	343	873	373	996	558	1065	664
2000	675	165	768	260	821	330	861	386	960	507	1026	629	1094	753
2250	711	195	803	290	856	375	901	497	991	564	1058	703	1128	840
2500	764	241	852	335	904	439	951	568	1025	641	1097	789	1170	934
2750	847	316	901	399	946	543	1004	674	1074	746	1146	895	1220	1041
3000	944	426	980	511	1021	671	1074	803	1136	874	1205	1021	1276	1167
3250	1022	544	1057	640	1099	810	1149	942	1207	1012	1272	1156	1338	1304
3500	1092	666	1131	770	1174	948	1225	1081	1281	1151	1342	1297	1402	1451
3750	1161	780	1202	892	1248	1079	1298	1217	1353	1291	1409	1445	1463	1609
4000	1230	888	1273	1010	1319	1212	1369	1362	1421	1441	1471	1608	1518	1784
4250	1299	1006	1342	1140	1388	1362	1436	1526	1483	1612	1528	1790	1571	1975
4500	1366	1142	1409	1289	1454	1532	1498	1708	1542	1798	1583	1984	1623	2172
4750	1432	1295	1474	1457	1516	1719	1558	1903	1598	1997	1637	2187	1674	2377
5000	1496	1471	1537	1645	1577	1921	1616	2110	1654	2205	1690	2396	1726	2586
5250	1560	1667	1598	1849	1636	2132	1673	2324	1709	2419	1744	2609	1779	2796
5500	1623	1878	1659	2064	1695	2349	1731	2539	1765	2634	---	---	---	---
5750	1686	2097	1720	2284	1755	2567	---	---	---	---	---	---	---	---
6000	1748	2316	1781	2502	---	---	---	---	---	---	---	---	---	---

Total Air Volume cfm	Total Static Pressure - in. w.g.											
	1.6		1.8		2.0		2.2		2.4		2.6	
	RPM	Watts	RPM	Watts	RPM	Watts	RPM	Watts	RPM	Watts	RPM	Watts
1750	1134	775	1203	896	1275	1025	1356	1149	1422	1287	1470	1439
2000	1162	878	1231	1007	1302	1139	1379	1268	1440	1411	1486	1570
2250	1198	975	1268	1111	1338	1250	1409	1388	1464	1542	1507	1711
2500	1243	1075	1313	1217	1380	1365	1442	1517	1491	1685	1533	1860
2750	1293	1186	1361	1336	1423	1494	1477	1661	1520	1839	1561	2016
3000	1346	1317	1410	1474	1466	1642	1514	1818	1554	2000	1594	2180
3250	1402	1460	1460	1627	1511	1803	1553	1986	1591	2172	1631	2352
3500	1459	1616	1509	1793	1555	1976	1594	2165	1631	2352	1671	2531
3750	1512	1785	1557	1970	1599	2159	1636	2350	1673	2536	1713	2714
4000	1562	1969	1604	2157	1643	2347	1680	2538	1717	2722	1756	2896
4250	1611	2163	1650	2352	1688	2541	1724	2729	1762	2908	---	---
4500	1661	2362	1698	2552	1734	2739	1770	2922	---	---	---	---
4750	1710	2567	1746	2754	---	---	---	---	---	---	---	---
5000	1761	2774	---	---	---	---	---	---	---	---	---	---

## BLOWER DATA

### FACTORY INSTALLED OPTIONS/FIELD INSTALLED ACCESSORY AIR RESISTANCE - in. w.g.

Air Volume cfm	Wet Indoor Coil		Electric Heat	Economizer	Filters			Return Air Adaptor Plate
	078, 092	102, 120, 152			MERV 8	MERV 13	MERV 16	
1750	0.04	0.04	0.03	0.05	0.01	0.03	0.06	0.00
2000	0.05	0.05	0.03	0.06	0.01	0.03	0.08	0.00
2250	0.06	0.06	0.04	0.08	0.01	0.04	0.09	0.00
2500	0.07	0.07	0.04	0.11	0.01	0.05	0.10	0.00
2750	0.08	0.08	0.05	0.12	0.02	0.05	0.11	0.00
3000	0.10	0.09	0.06	0.13	0.02	0.06	0.12	0.02
3250	0.11	0.10	0.06	0.15	0.02	0.06	0.13	0.02
3500	0.12	0.11	0.09	0.15	0.03	0.07	0.15	0.04
3750	0.14	0.13	0.09	0.15	0.03	0.08	0.16	0.07
4000	0.15	0.14	0.09	0.19	0.04	0.08	0.17	0.09
4250	0.17	0.15	0.13	0.19	0.04	0.09	0.19	0.11
4500	0.19	0.17	0.14	0.22	0.04	0.09	0.20	0.12
4750	0.20	0.18	0.17	0.25	0.05	0.10	0.21	0.16
5000	0.22	0.20	0.20	0.29	0.06	0.10	0.23	0.18
5250	0.24	0.22	0.22	0.32	0.06	0.11	0.24	0.19
5500	0.25	0.23	0.25	0.34	0.07	0.12	0.25	0.22
5750	0.27	0.25	0.31	0.45	0.07	0.12	0.27	0.25
6000	0.29	0.27	0.33	0.52	0.08	0.13	0.28	0.27

### MINIMUM AIR VOLUME REQUIRED FOR USE WITH OPTIONAL ELECTRIC HEAT

Electric Heat kW	Minimum cfm
7.5	1750
15	2250
22.5	2250
30	2750
45	2750
60	3500

### POWER EXHAUST FAN PERFORMANCE

Return Air System Static Pressure	Air Volume Exhausted
in. w.g.	cfm
0	3175
0.05	2955
0.10	2685
0.15	2410
0.20	2165
0.25	1920
0.30	1420
0.35	1200

## BLOWER DATA

### CEILING DIFFUSERS AIR RESISTANCE - in. w.g.

Size	RTD11 Step-Down Diffuser			FD11 Flush Diffuser	
	Air Volume cfm	2 Ends Open	1 Side, 2 Ends Open		All Ends & Sides Open
078 & 092	2400	0.21	0.18	0.15	0.14
	2600	0.24	0.21	0.18	0.17
	2800	0.27	0.24	0.21	0.20
	3000	0.32	0.29	0.25	0.25
	3200	0.41	0.37	0.32	0.31
	3400	0.50	0.45	0.39	0.37
	3600	0.61	0.54	0.48	0.44
	3800	0.73	0.63	0.57	0.51
102 & 120	3600	0.36	0.28	0.23	0.15
	3800	0.40	0.32	0.26	0.18
	4000	0.44	0.36	0.29	0.21
	4200	0.49	0.40	0.33	0.24
	4400	0.54	0.44	0.37	0.27
	4600	0.60	0.49	0.42	0.31
	4800	0.65	0.53	0.46	0.35
	5000	0.69	0.58	0.50	0.39
152	5200	0.75	0.62	0.54	0.43
	4200	0.22	0.19	0.16	0.10
	4400	0.28	0.24	0.20	0.12
	4600	0.34	0.29	0.24	0.15
	4800	0.40	0.34	0.29	0.19
	5000	0.46	0.39	0.34	0.23
	5200	0.52	0.44	0.39	0.27
	5400	0.58	0.49	0.43	0.31
5600	0.64	0.54	0.47	0.35	
5800	0.70	0.59	0.51	0.39	

### CEILING DIFFUSER AIR THROW DATA

Size	Air Volume cfm	<sup>1</sup> Effective Throw Range	
		RTD11 Step-Down	FD11 Flush
		ft.	ft.
078, 092	2600	24 - 29	19 - 24
	2800	25 - 30	20 - 28
	3000	27 - 33	21 - 29
	3200	28 - 35	22 - 29
	3400	30 - 37	22 - 30
102, 120	3600	25 - 33	22 - 29
	3800	27 - 35	22 - 30
	4000	29 - 37	24 - 33
	4200	32 - 40	26 - 35
	4400	34 - 42	28 - 37
152	5600	39 - 49	28 - 37
	5800	42 - 51	29 - 38
	6000	44 - 54	40 - 50
	6200	45 - 55	42 - 51
	6400	46 - 55	43 - 52
	6600	47 - 56	45 - 56

<sup>1</sup> Throw is the horizontal or vertical distance an air stream travels on leaving the outlet or diffuser before the maximum velocity is reduced to 50 ft. per minute. Four sides open.

**ELECTRICAL/ELECTRIC HEAT DATA**
**6.5 TON**

Model		LHT078H5E		
<sup>1</sup> Voltage - 60Hz		208/230V-3ph	460V-3ph	575V-3ph
Compressor 1 (Non-Inverter)	Rated Load Amps	11.9	6.8	4.8
	Locked Rotor Amps	112	61.8	39
Compressor 2 (Non-Inverter)	Rated Load Amps	9	4.1	3.3
	Locked Rotor Amps	70	39	29
Outdoor Fan Motors (2)	Full Load Amps (2 ECM)	2.8	1.4	1.1
	Total	5.6	2.8	2.2
Power Exhaust (1) 0.33 HP	Full Load Amps	2.4	1.3	1
Service Outlet 115V GFI (amps)		15	15	20
Indoor Blower Motor	HP	3.75	3.75	3.75
	Full Load Amps	8	4.2	3.6
<sup>2</sup> Maximum Overcurrent Protection (MOCP)	Unit Only	45	25	20
	With (1) 0.33 HP Power Exhaust	50	25	20
<sup>3</sup> Minimum Circuit Ampacity (MCA)	Unit Only	38	20	16
	With (1) 0.33 HP Power Exhaust	40	21	17

**ELECTRIC HEAT DATA**

Electric Heat Voltage			208V	240V	480V	600V
<sup>2</sup> Maximum Overcurrent Protection (MOCP)	Unit+ Electric Heat	7.5 kW	<sup>4</sup> 60	70	35	25
		15 kW	<sup>4</sup> 80	90	45	35
		22.5 kW	<sup>4</sup> 100	110	60	45
		30 kW	<sup>4</sup> 125	150	70	60
<sup>3</sup> Minimum Circuit Ampacity (MCA)	Unit+ Electric Heat	7.5 kW	58	61	31	25
		15 kW	77	83	43	34
		22.5 kW	97	106	54	43
		30 kW	116	128	65	52
<sup>2</sup> Maximum Overcurrent Protection (MOCP)	Unit+ Electric Heat and (1) 0.33 HP Power Exhaust	7.5 kW	<sup>4</sup> 60	70	35	30
		15 kW	<sup>4</sup> 80	90	45	35
		22.5 kW	<sup>4</sup> 100	110	60	45
		30 kW	<sup>4</sup> 125	150	70	60
<sup>3</sup> Minimum Circuit Ampacity (MCA)	Unit+ Electric Heat and (1) 0.33 HP Power Exhaust	7.5 kW	60	63	33	26
		15 kW	79	85	44	35
		22.5 kW	99	108	55	44
		30 kW	119	131	67	53

**ELECTRICAL ACCESSORIES**

Disconnect	7.5 kW	15 kW	22.5 kW	30 kW
	54W56	54W56	54W56	54W56
	54W56	54W57	54W56	54W56
	54W57	54W57	54W56	54W56
	54W57	54W57	54W56	54W56

Disconnects - 54W56 - 80A  
54W57 - 150A

NOTE - All units have a minimum Short Circuit Current Rating (SCCR) of 5000 amps.

<sup>1</sup> 1 Extremes of operating range are plus and minus 10% of line voltage.

<sup>2</sup> 2 HACR type breaker or fuse.

<sup>3</sup> 3 Refer to National or Canadian Electrical Code manual to determine wire, fuse and disconnect size requirements.

<sup>4</sup> 4 Factory installed circuit breaker not available.

**ELECTRICAL/ELECTRIC HEAT DATA**
**7.5 TON**

Model		LHT092H5E		
<sup>1</sup> Voltage - 60Hz		208/230V-3ph	460V-3ph	575V-3ph
Compressor 1 (Non-Inverter)	Rated Load Amps	11.9	6.8	4.8
	Locked Rotor Amps	112	61.8	39
Compressor 2 (Non-Inverter)	Rated Load Amps	12.8	6	5.8
	Locked Rotor Amps	120.4	49.4	41
Outdoor Fan Motors (2)	Full Load Amps (2 ECM)	2.8	1.4	1.1
	Total	5.6	2.8	2.2
Power Exhaust (1) 0.33 HP	Full Load Amps	2.4	1.3	1
Service Outlet 115V GFI (amps)		15	15	20
Indoor Blower Motor	HP	3.75	3.75	3.75
	Full Load Amps	8	4.2	3.6
<sup>2</sup> Maximum Overcurrent Protection (MOCP)	Unit Only	50	25	20
	With (1) 0.33 HP Power Exhaust	50	25	20
<sup>3</sup> Minimum Circuit Ampacity (MCA)	Unit Only	42	22	18
	With (1) 0.33 HP Power Exhaust	44	23	19

**ELECTRIC HEAT DATA**

Electric Heat Voltage				208V	240V	480V	600V
<sup>2</sup> Maximum Overcurrent Protection (MOCP)	Unit+ Electric Heat	7.5 kW	7.5 kW	70	70	35	30
		15 kW	15 kW	90	90	45	40
		22.5 kW	22.5 kW	110	110	60	45
		30 kW	30 kW	<sup>4</sup> 125	150	70	60
		45 kW	45 kW	<sup>4</sup> 175	200	90	80
<sup>3</sup> Minimum Circuit Ampacity (MCA)	Unit+ Electric Heat	7.5 kW	7.5 kW	62	65	33	27
		15 kW	15 kW	81	87	45	36
		22.5 kW	22.5 kW	101	110	56	45
		30 kW	30 kW	120	132	67	54
		45 kW	45 kW	159	177	90	72
<sup>2</sup> Maximum Overcurrent Protection (MOCP)	Unit+ Electric Heat and (1) 0.33 HP Power Exhaust	7.5 kW	7.5 kW	70	70	35	30
		15 kW	15 kW	90	90	50	40
		22.5 kW	22.5 kW	<sup>4</sup> 110	125	60	50
		30 kW	30 kW	<sup>4</sup> 125	150	70	60
		45 kW	45 kW	<sup>4</sup> 175	200	100	80
<sup>3</sup> Minimum Circuit Ampacity (MCA)	Unit+ Electric Heat and (1) 0.33 HP Power Exhaust	7.5 kW	7.5 kW	64	67	35	28
		15 kW	15 kW	83	90	46	37
		22.5 kW	22.5 kW	103	112	57	46
		30 kW	30 kW	123	135	68	55
		45 kW	45 kW	162	180	91	73

**ELECTRICAL ACCESSORIES**

Disconnect	7.5 kW	54W56	54W56	54W56	54W56
	15 kW	54W57	54W57	54W56	54W56
	22.5 kW	54W57	54W57	54W56	54W56
	30 kW	54W57	54W57	54W56	54W56
	45 kW	N/A	N/A	54W57	54W56

Disconnects - 54W56 - 80A  
54W57 - 150A

NOTE - All units have a minimum Short Circuit Current Rating (SCCR) of 5000 amps.

<sup>1</sup> 1 Extremes of operating range are plus and minus 10% of line voltage.

<sup>2</sup> 2 HACR type breaker or fuse.

<sup>3</sup> 3 Refer to National or Canadian Electrical Code manual to determine wire, fuse and disconnect size requirements.

<sup>4</sup> 4 Factory installed circuit breaker not available.

**ELECTRICAL/ELECTRIC HEAT DATA**
**8.5 TON**

Model		LHT102H5E		
<sup>1</sup> Voltage - 60Hz		208/230V-3ph	460V-3ph	575V-3ph
Compressor 1 (Non-Inverter)	Rated Load Amps	11.9	6.8	4.8
	Locked Rotor Amps	112	61.8	39
Compressor 2 (Non-Inverter)	Rated Load Amps	16	7.1	6.4
	Locked Rotor Amps	156.4	69	47.8
Outdoor Fan Motors (2)	Full Load Amps (2 ECM)	2.8	1.4	1.1
	Total	5.6	2.8	2.2
Power Exhaust (1) 0.33 HP	Full Load Amps	2.4	1.3	1
Service Outlet 115V GFI (amps)		15	15	20
Indoor Blower Motor	HP	3.75	3.75	3.75
	Full Load Amps	8	4.2	3.6
<sup>2</sup> Maximum Overcurrent Protection (MOCP)	Unit Only	60	25	25
	With (1) 0.33 HP Power Exhaust	60	30	25
<sup>3</sup> Minimum Circuit Ampacity (MCA)	Unit Only	46	23	19
	With (1) 0.33 HP Power Exhaust	48	24	20

**ELECTRIC HEAT DATA**

Electric Heat Voltage			208V	240V	480V	600V
<sup>2</sup> Maximum Overcurrent Protection (MOCP)	Unit+ Electric Heat	7.5 kW	70	70	35	30
		15 kW	<sup>4</sup> 90	100	50	40
		22.5 kW	<sup>4</sup> 110	125	60	50
		30 kW	<sup>4</sup> 125	150	70	60
		45 kW	<sup>4</sup> 175	200	100	80
<sup>3</sup> Minimum Circuit Ampacity (MCA)	Unit+ Electric Heat	7.5 kW	66	69	34	28
		15 kW	85	91	46	37
		22.5 kW	105	114	57	46
		30 kW	124	136	68	55
		45 kW	163	181	91	73
<sup>2</sup> Maximum Overcurrent Protection (MOCP)	Unit+ Electric Heat and (1) 0.33 HP Power Exhaust	7.5 kW	<sup>4</sup> 70	80	40	30
		15 kW	<sup>4</sup> 90	100	50	40
		22.5 kW	<sup>4</sup> 110	125	60	50
		30 kW	150	150	70	60
		45 kW	<sup>4</sup> 175	200	100	80
<sup>3</sup> Minimum Circuit Ampacity (MCA)	Unit+ Electric Heat and (1) 0.33 HP Power Exhaust	7.5 kW	68	71	36	29
		15 kW	87	94	47	38
		22.5 kW	107	116	58	47
		30 kW	127	139	70	56
		45 kW	166	184	92	74

**ELECTRICAL ACCESSORIES**

Disconnect	7.5 kW	54W56	54W56	54W56	54W56
	15 kW	54W57	54W57	54W56	54W56
	22.5 kW	54W57	54W57	54W56	54W56
	30 kW	54W57	54W57	54W56	54W56
	45 kW	N/A	N/A	54W57	54W56

Disconnects - 54W56 - 80A  
54W57 - 150A

NOTE - All units have a minimum Short Circuit Current Rating (SCCR) of 5000 amps.

<sup>1</sup> 1 Extremes of operating range are plus and minus 10% of line voltage.

<sup>2</sup> 2 HACR type breaker or fuse.

<sup>3</sup> 3 Refer to National or Canadian Electrical Code manual to determine wire, fuse and disconnect size requirements.

<sup>4</sup> 4 Factory installed circuit breaker not available.



**ELECTRICAL/ELECTRIC HEAT DATA**
**10 TON**

Model		LHT120H5E		
<sup>1</sup> Voltage - 60Hz		208/230V-3ph	460V-3ph	575V-3ph
Compressor 1 (Non-Inverter)	Rated Load Amps	13.8	6.9	5.8
	Locked Rotor Amps	150	58	47.8
Compressor 2 (Non-Inverter)	Rated Load Amps	18.6	8.3	7.7
	Locked Rotor Amps	155	58.1	47.8
Outdoor Fan Motors (2)	Full Load Amps (2 ECM)	2.8	1.4	1.1
	Total	5.6	2.8	2.2
Power Exhaust (1) 0.33 HP	Full Load Amps	2.4	1.3	1
Service Outlet 115V GFI (amps)		15	15	20
Indoor Blower Motor	HP	3.75	3.75	3.75
	Full Load Amps	8	4.2	3.6
<sup>2</sup> Maximum Overcurrent Protection (MOCP)	Unit Only	60	30	25
	With (1) 0.33 HP Power Exhaust	70	30	25
<sup>3</sup> Minimum Circuit Ampacity (MCA)	Unit Only	51	25	22
	With (1) 0.33 HP Power Exhaust	54	26	23

**ELECTRIC HEAT DATA**

Electric Heat Voltage			208V	240V	480V	600V
<sup>2</sup> Maximum Overcurrent Protection (MOCP)	Unit+ Electric Heat	15 kW	100	100	50	40
		22.5 kW	<sup>4</sup> 110	125	60	50
		30 kW	150	150	70	60
		45 kW	<sup>4</sup> 175	200	100	80
		60 kW	200	200	100	80
<sup>3</sup> Minimum Circuit Ampacity (MCA)	Unit+ Electric Heat	15 kW	90	96	47	40
		22.5 kW	110	119	59	49
		30 kW	129	141	70	58
		45 kW	168	186	92	76
		60 kW	176	195	97	79
<sup>2</sup> Maximum Overcurrent Protection (MOCP)	Unit+ Electric Heat and (1) 0.33 HP Power Exhaust	15 kW	100	100	50	45
		22.5 kW	125	125	60	50
		30 kW	150	150	80	60
		45 kW	<sup>4</sup> 175	200	100	80
		60 kW	200	200	100	80
<sup>3</sup> Minimum Circuit Ampacity (MCA)	Unit+ Electric Heat and (1) 0.33 HP Power Exhaust	15 kW	93	99	49	41
		22.5 kW	112	121	60	50
		30 kW	132	144	71	59
		45 kW	171	189	94	77
		60 kW	179	198	98	80

**ELECTRICAL ACCESSORIES**

Disconnect	15 kW	54W57	54W57	54W56	54W56
	22.5 kW	54W57	54W57	54W56	54W56
	30 kW	54W57	54W57	54W56	54W56
	45 kW	N/A	N/A	54W57	54W56
	60 kW	N/A	N/A	54W57	54W57

Disconnects - 54W56 - 80A  
54W57 - 150A

NOTE - All units have a minimum Short Circuit Current Rating (SCCR) of 5000 amps.

<sup>1</sup> 1 Extremes of operating range are plus and minus 10% of line voltage.

<sup>2</sup> 2 HACR type breaker or fuse.

<sup>3</sup> 3 Refer to National or Canadian Electrical Code manual to determine wire, fuse and disconnect size requirements.

<sup>4</sup> 4 Factory installed circuit breaker not available.

**ELECTRICAL/ELECTRIC HEAT DATA**
**12.5 TON**

Model		LHT152H5E		
<sup>1</sup> Voltage - 60Hz		208/230V-3ph	460V-3ph	575V-3ph
Compressor 1 (Non-Inverter)	Rated Load Amps	19.2	9.1	6.2
	Locked Rotor Amps	162.3	70.8	58.2
Compressor 2 (Non-Inverter)	Rated Load Amps	22.4	9.1	7.2
	Locked Rotor Amps	166.2	74.6	54
Outdoor Fan Motors (4)	Full Load Amps (4 ECM)	2.8	1.4	1.1
	Total	11.2	5.6	4.4
Power Exhaust (1) 0.33 HP	Full Load Amps	2.4	1.3	1
Service Outlet 115V GFI (amps)		15	15	20
Indoor Blower Motor	HP	3.75	3.75	3.75
	Full Load Amps	8	4.2	3.6
<sup>2</sup> Maximum Overcurrent Protection (MOCP)	Unit Only	80	35	30
	With (1) 0.33 HP Power Exhaust	90	40	30
<sup>3</sup> Minimum Circuit Ampacity (MCA)	Unit Only	67	31	24
	With (1) 0.33 HP Power Exhaust	69	32	25

**ELECTRIC HEAT DATA**

Electric Heat Voltage			208V	240V	480V	600V
<sup>2</sup> Maximum Overcurrent Protection (MOCP)	Unit+ Electric Heat	15 kW	<sup>4</sup> 110	125	60	45
		22.5 kW	150	150	70	60
		30 kW	<sup>4</sup> 150	175	80	60
		45 kW	<sup>4</sup> 200	225	100	80
		60 kW	<sup>4</sup> 200	225	110	90
<sup>3</sup> Minimum Circuit Ampacity (MCA)	Unit+ Electric Heat	15 kW	106	112	53	42
		22.5 kW	126	135	65	51
		30 kW	145	157	76	60
		45 kW	184	202	98	78
		60 kW	192	211	103	81
<sup>2</sup> Maximum Overcurrent Protection (MOCP)	Unit+ Electric Heat and (1) 0.33 HP Power Exhaust	15 kW	<sup>4</sup> 110	125	60	45
		22.5 kW	150	150	70	60
		30 kW	<sup>4</sup> 150	175	80	70
		45 kW	<sup>4</sup> 200	225	100	80
		60 kW	<sup>4</sup> 200	225	110	90
<sup>3</sup> Minimum Circuit Ampacity (MCA)	Unit+ Electric Heat and (1) 0.33 HP Power Exhaust	15 kW	108	114	55	43
		22.5 kW	128	137	66	52
		30 kW	147	160	77	61
		45 kW	187	205	100	79
		60 kW	194	214	104	82

**ELECTRICAL ACCESSORIES**

Disconnect	15 kW	54W57	54W57	54W56	54W56
	22.5 kW	54W57	54W57	54W56	54W56
	30 kW	54W57	N/A	54W56	54W56
	45 kW	N/A	N/A	54W57	54W56
	60 kW	N/A	N/A	54W57	54W57

Disconnects - 54W56 - 80A  
54W57 - 150A

NOTE - All units have a minimum Short Circuit Current Rating (SCCR) of 5000 amps.

<sup>1</sup> 1 Extremes of operating range are plus and minus 10% of line voltage.

<sup>2</sup> 2 HACR type breaker or fuse.

<sup>3</sup> 3 Refer to National or Canadian Electrical Code manual to determine wire, fuse and disconnect size requirements.

<sup>4</sup> 4 Factory installed circuit breaker not available.

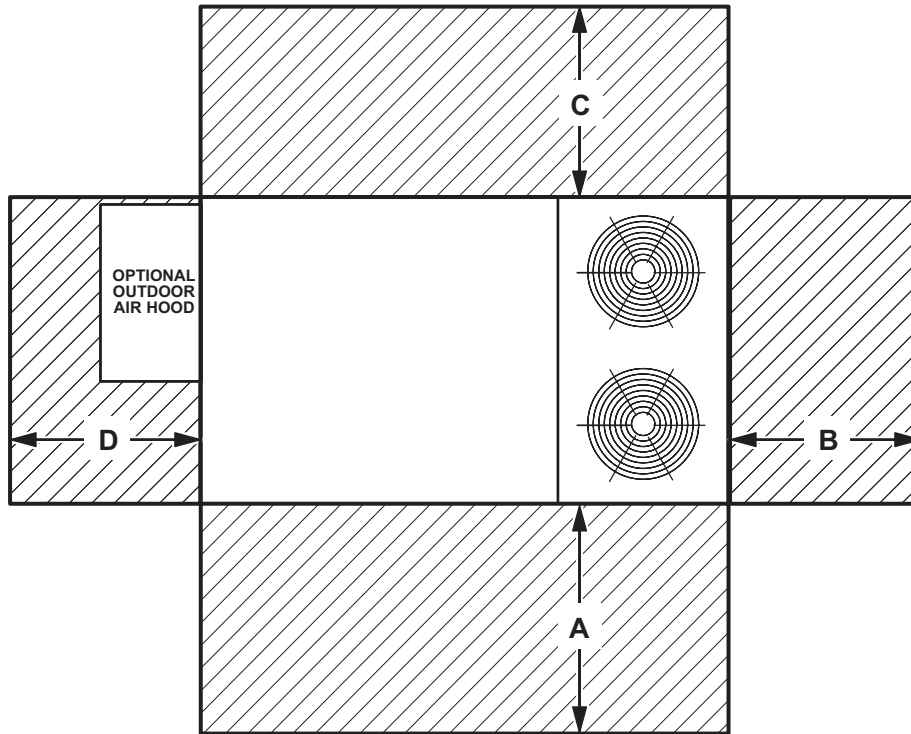
## ELECTRIC HEAT CAPACITIES

Volts Input	7.5 kW			15 kW			22.5 kW			30 kW			45 kW			60 kW		
	kW Input	Btuh Output	Stages	kW Input	Btuh Output	Stages	kW Input	Btuh Output	Stages	kW Input	Btuh Output	Stages	kW Input	Btuh Output	Stages	kW Input	Btuh Output	Stages
208	5.6	19,100	1	11.3	38,600	1	16.9	57,700	2	22.5	76,800	2	33.8	115,300	2	45.0	153,600	2
220	6.3	21,500	1	12.6	43,000	1	18.9	64,500	2	25.2	86,000	2	37.8	129,000	2	50.4	172,000	2
230	6.9	23,600	1	13.8	47,100	1	20.7	70,700	2	27.5	93,900	2	41.3	141,000	2	55.1	188,000	2
240	7.5	25,600	1	15.0	51,200	1	22.5	76,800	2	30.0	102,400	2	45.0	153,600	2	60.0	204,800	2
440	6.9	21,500	1	12.6	43,000	1	18.9	64,500	2	25.2	86,000	2	37.8	129,000	2	50.4	172,000	2
460	6.9	23,600	1	13.8	47,100	1	20.7	70,700	2	27.5	93,900	2	41.3	141,000	2	55.1	188,000	2
480	7.5	25,600	1	15.0	51,200	1	22.5	76,800	2	30.0	102,400	2	45.0	153,600	2	60.0	204,800	2
550	6.3	21,500	1	12.6	43,000	1	18.9	64,500	2	25.2	86,000	2	37.8	129,000	2	50.4	172,000	2
575	6.9	23,600	1	13.8	47,100	1	20.7	70,700	2	27.5	93,900	2	41.3	141,000	2	55.1	188,000	2
600	7.5	25,600	1	15.0	51,200	1	22.5	76,800	2	30.0	102,400	2	45.0	153,600	2	60.0	204,800	2

### FIELD WIRING NOTES

- For use with copper wiring only
- Field wiring not furnished
- All wiring must conform to NEC or CEC and local electrical codes
- For specific wiring information, please refer to the installation instructions

## UNIT CLEARANCES



<sup>1</sup> Unit Clearance	A		B		C		D		Top Clearance
	in.	mm	in.	mm	in.	mm	in.	mm	
<b>Service Clearance</b>	60	1524	36	914	36	914	60	1524	Unobstructed
<b>Minimum Operation Clearance</b>	36	914	36	914	36	914	36	914	

NOTE - Entire perimeter of unit base requires support when elevated above the mounting surface.

<sup>1</sup> Service Clearance - Required for removal of serviceable parts.

Minimum Operation Clearance - Required clearance for proper unit operation.

## OUTDOOR SOUND DATA

Size	Octave Band Sound Power Levels dBA, re 10 <sup>-12</sup> Watts Center Frequency - Hz							<sup>1</sup> Sound Rating Number (dBA)
	125	250	500	1000	2000	4000	8000	
078, 092, 102, 120	70	79	84	83	77	72	66	88
152	73	74	75	72	66	60	50	87

Note - The octave sound power data does not include tonal corrections.

<sup>1</sup> Sound Rating Number according to AHRI Standard 270-95 or AHRI Standard 370-2001 (includes pure tone penalty). Sound Rating Number is the overall A-Weighted Sound Power Level, (Lwa), dB (100 Hz to 10,000 Hz).

WEIGHT DATA				UNIT
Size	Net		Shipping	
	lbs.	kg	lbs.	kg
078 Base Unit	1053	479	1138	517
078 Max. Unit	1233	561	1320	600
092 Base Unit	1073	487	1158	526
092 Max. Unit	1253	569	1340	608
102 Base Unit	1075	488	1160	527
102 Max. Unit	1255	570	1340	608
120 Base Unit	1075	488	1160	527
120 Max. Unit	1255	570	1340	608
152 Base Unit	1176	534	1261	572
152 Max. Unit	1365	619	1450	658

### FACTORY / FIELD INSTALLED OPTIONS AND ACCESSORIES - NET WEIGHTS

Description	lbs.	kg	
<b>ECONOMIZER / OUTDOOR AIR / EXHAUST</b>			
<b>Economizer</b>			
Economizer Dampers	56	26	
Outdoor Air Hood (downflow)	21	10	
Barometric Relief Dampers (downflow)	9	4	
Barometric Relief Dampers (low profile horizontal)	20	9	
<b>Outdoor Air Dampers</b>			
Motorized	10	5	
Manual	10	5	
<b>Power Exhaust</b>	31	14	
<b>ELECTRIC HEAT</b>			
7.5 kW	22	10	
15 kW	22	10	
22.5 kW	28	13	
30 kW	28	13	
45 kW	32	15	
60 kW	43	20	
<b>COMBINATION COIL/HAIL GUARDS</b>			
078/092/102/120	21	10	
152	25	11	
<b>ROOF CURBS</b>			
<b>Hybrid Roof Curbs, Downflow</b>			
8 in. height	103	47	
14 in. height	125	57	
18 in. height	147	67	
24 in. height	169	77	
<b>Adjustable Pitch Curb, Downflow</b>			
14 in. height	169	77	
<b>CEILING DIFFUSERS</b>			
Step-Down	RTD11-95S	118	54
	RTD11-135S	135	61
Flush	FD11-95S	118	54
	FD11-135S	135	61
Transitions	C1DIFF30B-1	30	14
	C1DIFF31B-1	32	15

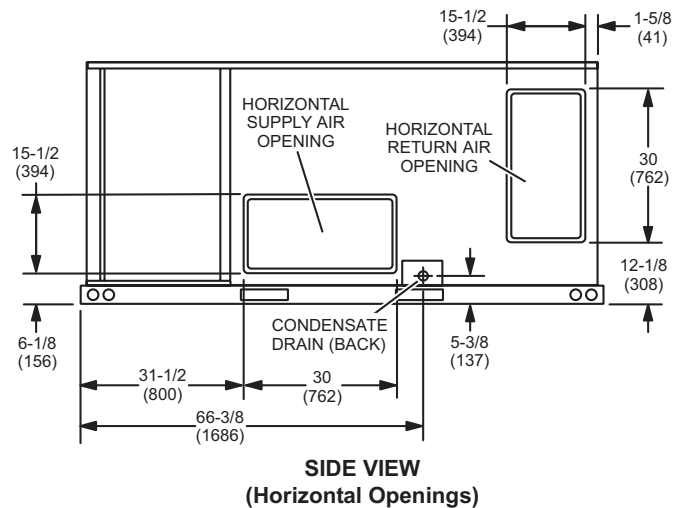
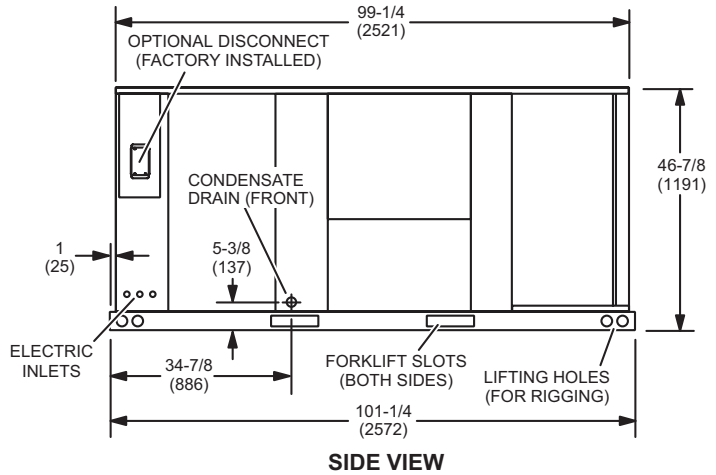
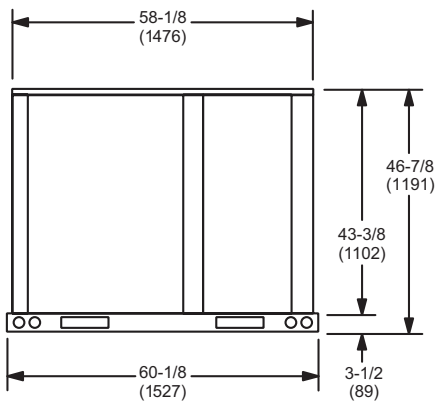
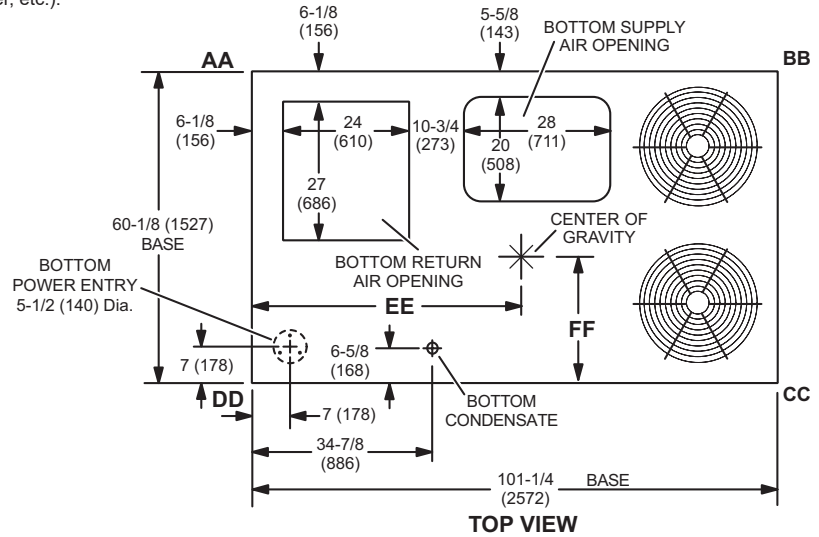
# DIMENSIONS

078 | 092 | 102 | 120

Size	CORNER WEIGHTS												CENTER OF GRAVITY											
	AA				BB				CC				DD				EE				FF			
	Base		Max.		Base		Max.		Base		Max.		Base		Max.		Base		Max.		Base		Max.	
	lbs.	kg	lbs.	kg	lbs.	kg	lbs.	kg	lbs.	kg	lbs.	kg	lbs.	kg	in.	mm	in.	mm	in.	mm	in.	mm	in.	mm
078	283	129	331	150	237	108	277	126	249	113	290	132	304	138	355	161	44	1118	43	1092	27	686	28	711
092	283	129	331	150	237	108	277	126	249	113	290	132	304	138	355	161	44	1118	43	1092	27	686	28	711
102	284	129	332	151	237	108	277	126	249	113	291	132	304	138	355	161	44	1118	43	1092	27	686	28	711
120	284	129	332	151	237	108	277	126	249	113	291	132	304	138	355	161	44	1118	43	1092	27	686	28	711

Base Unit - The unit with NO OPTIONS.

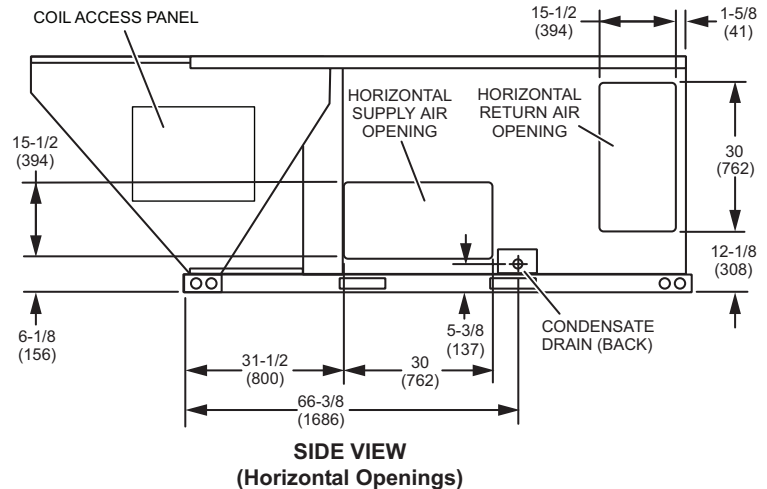
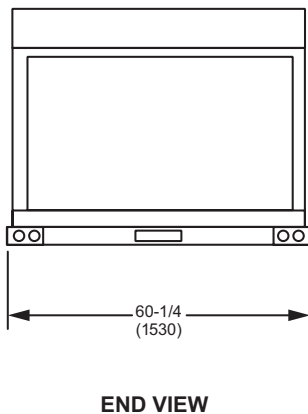
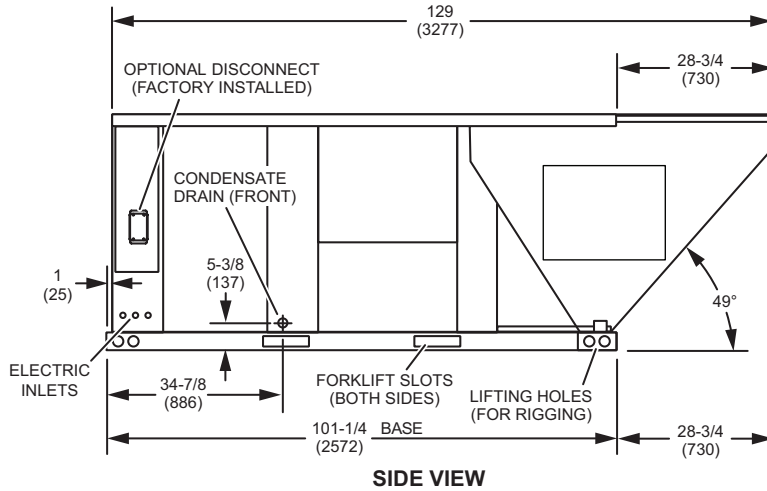
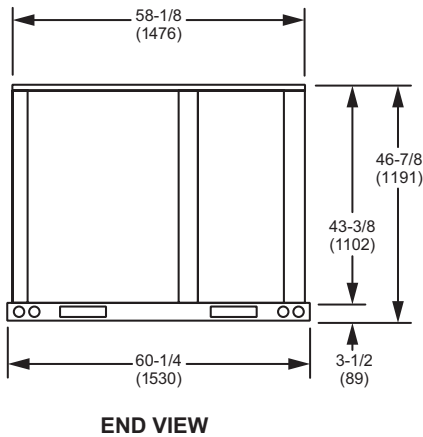
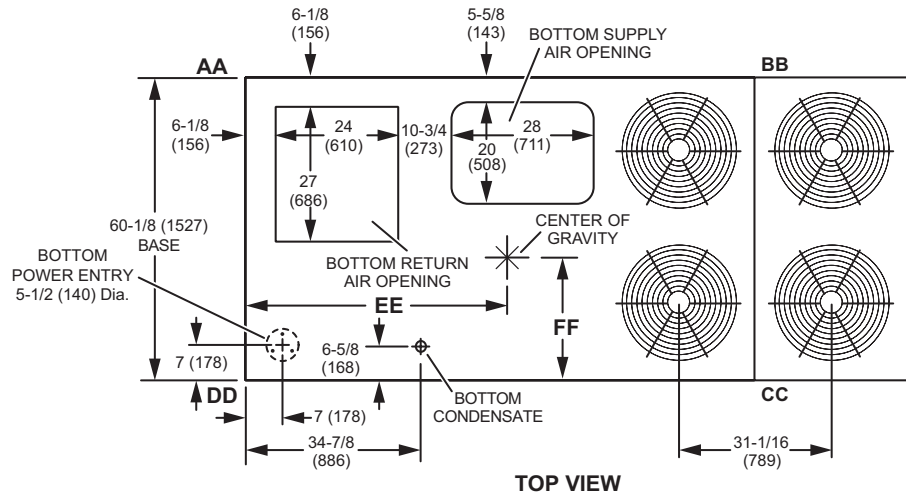
Max. Unit - The unit with ALL OPTIONS Installed (Economizer, etc.).



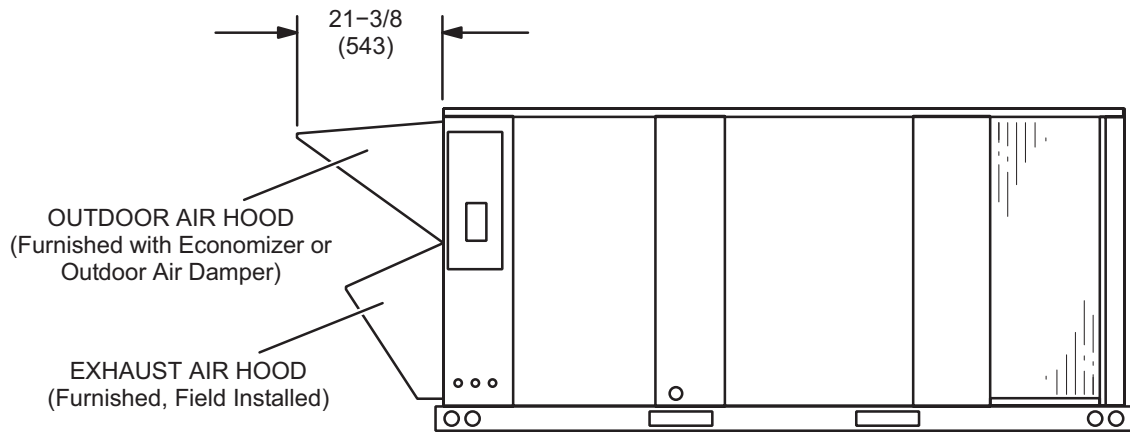
Size	CORNER WEIGHTS														CENTER OF GRAVITY									
	AA				BB				CC				DD				EE				FF			
	Base		Max.		Base		Max.		Base		Max.		Base		Max.		Base		Max.		Base		Max.	
	lbs.	kg	lbs.	kg	lbs.	kg	lbs.	kg	lbs.	kg	lbs.	kg	lbs.	kg	lbs.	kg	in.	mm	in.	mm	in.	mm	in.	mm
152	316	143	365	166	273	124	316	143	288	131	333	151	339	154	392	178	56.5	1435	55.5	1410	25.5	648	26.5	673

Base Unit - The unit with NO OPTIONS.

Max. Unit - The unit with ALL OPTIONS Installed (Economizer, etc.).

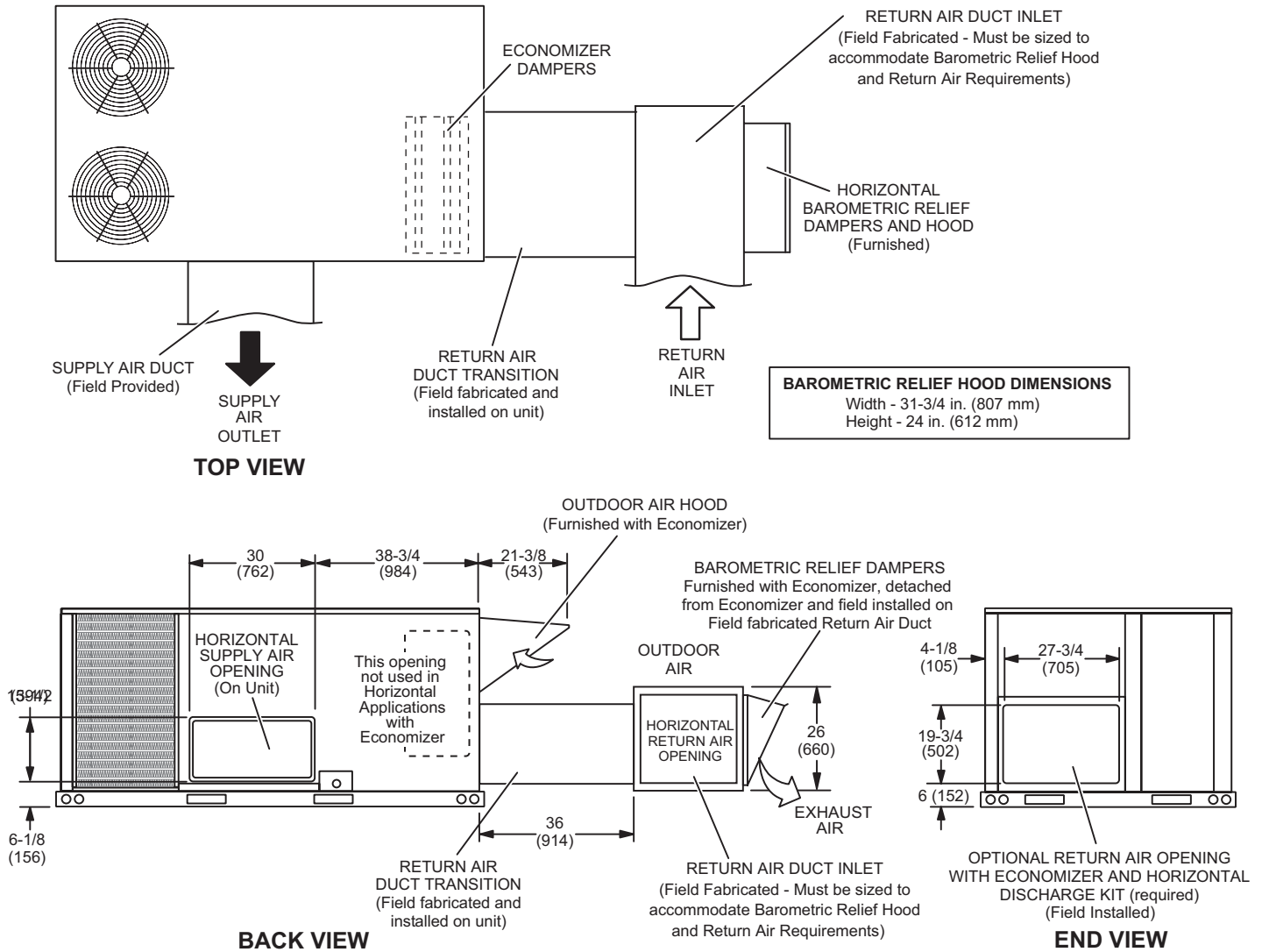


**OUTDOOR AIR HOOD DETAIL (Two Fan Model Shown)**





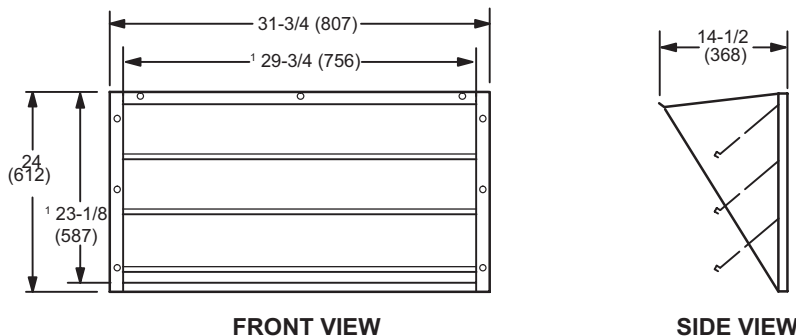
**HORIZONTAL ECONOMIZER APPLICATION (Two Fan Model Shown)  
(With Furnished Barometric Relief Dampers and Optional Horizontal Discharge Kit - Required)**



**NOTE** - Return Air Duct and Transition must be supported.

**BAROMETRIC RELIEF DAMPERS  
(Furnished with Economizer)**

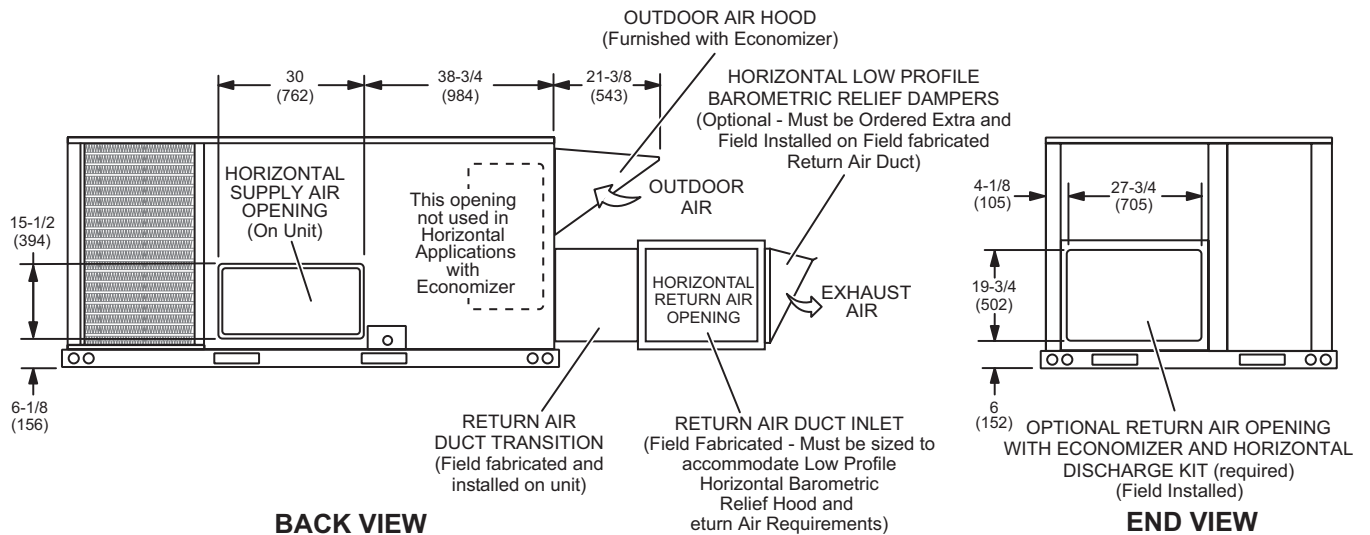
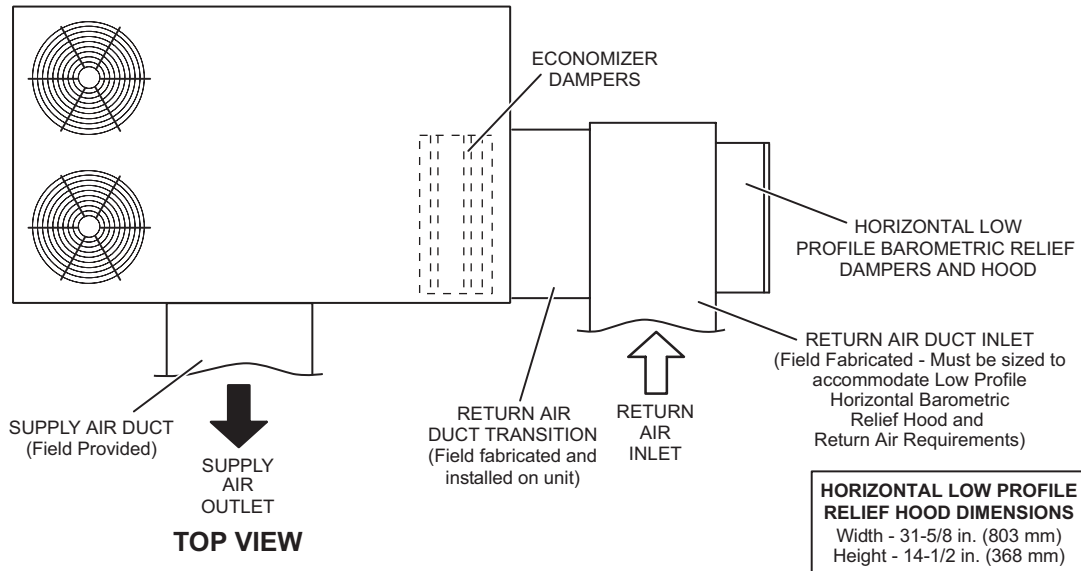
(Field installed in horizontal return air duct adjacent to unit)



<sup>1</sup> NOTE - Opening size required in return air duct.

**HORIZONTAL ECONOMIZER APPLICATION (Two Fan Model Shown)**

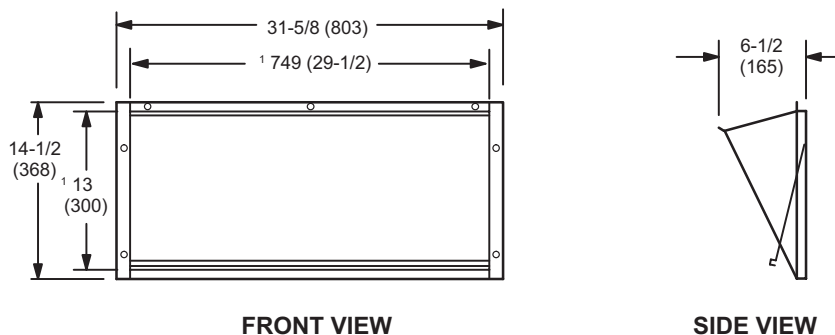
(with Optional Low Profile Horizontal Barometric Relief Dampers and Horizontal Discharge Kit - Required)



**NOTE** - Return Air Duct and Transition must be supported.

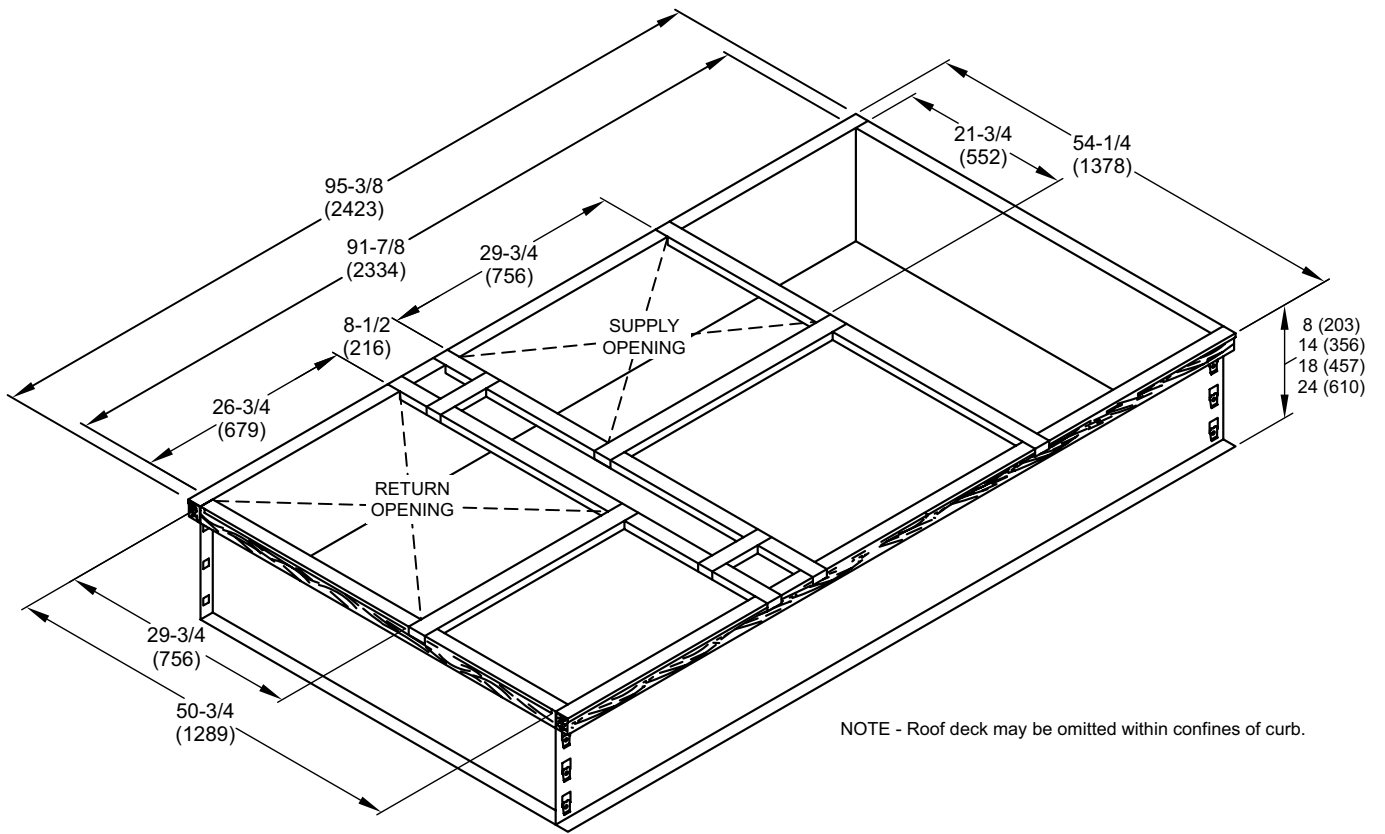
**HORIZONTAL LOW PROFILE BAROMETRIC RELIEF DAMPERS**

(Field installed in horizontal return air duct adjacent to unit)



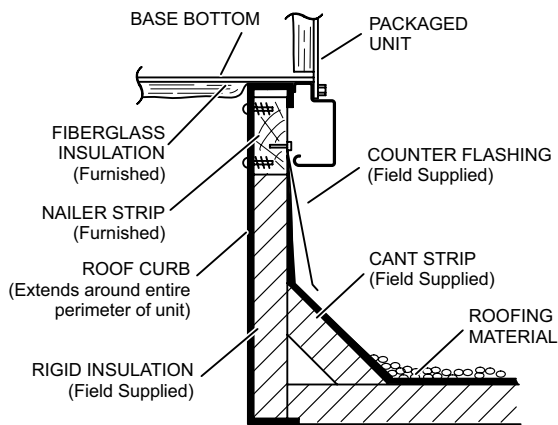
<sup>1</sup> NOTE - Opening size required in return air duct.

**HYBRID ROOF CURBS - DOUBLE DUCT OPENING**

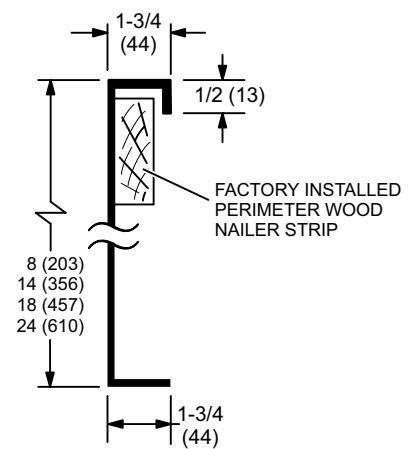


NOTE - Roof deck may be omitted within confines of curb.

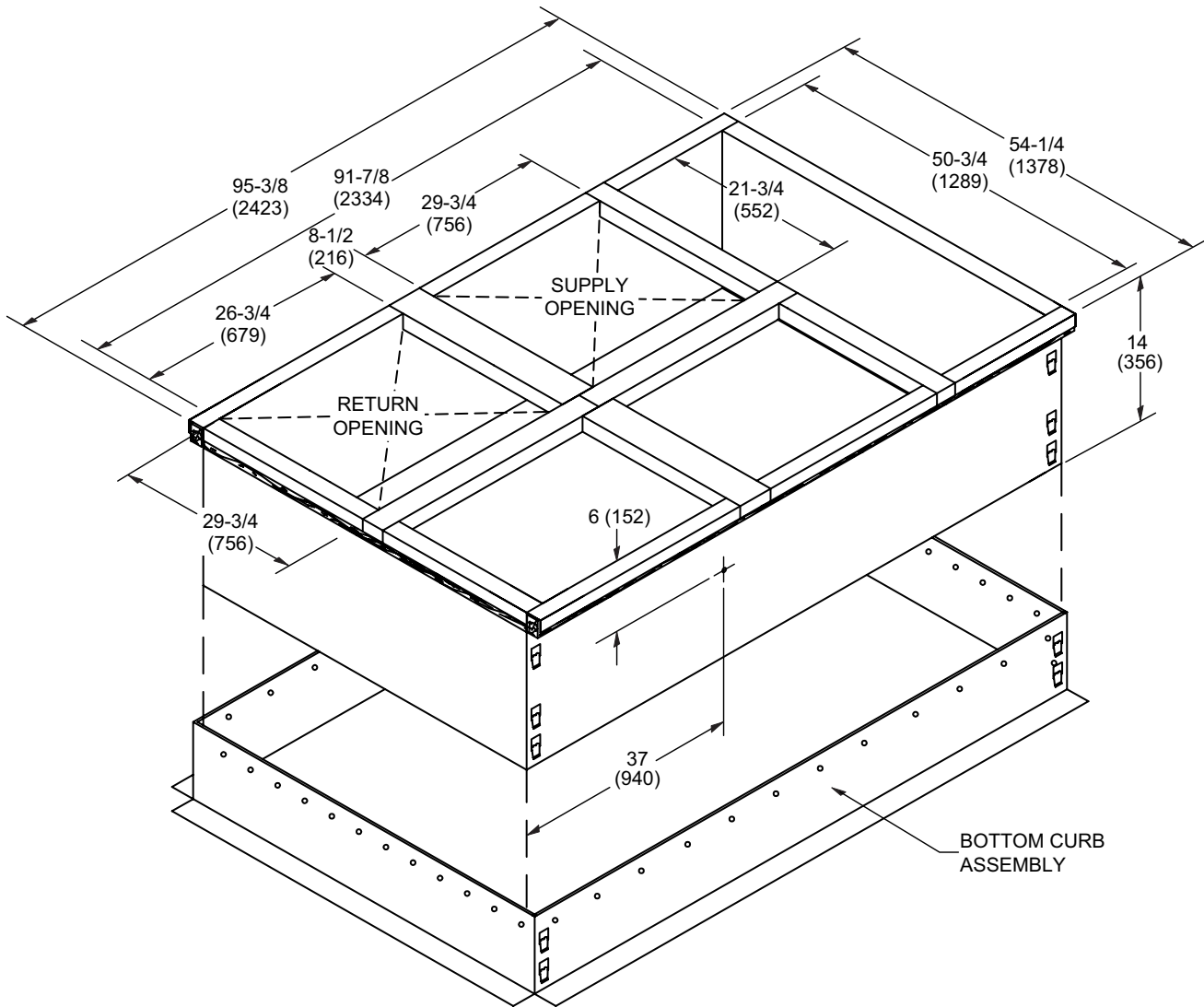
**TYPICAL FLASHING DETAIL FOR ROOF CURB**



**DETAIL ROOF CURB**

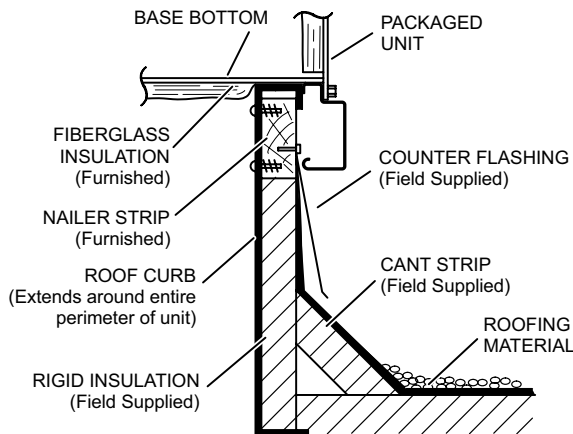


**ADJUSTABLE PITCH CURBS - DOUBLE DUCT OPENING**

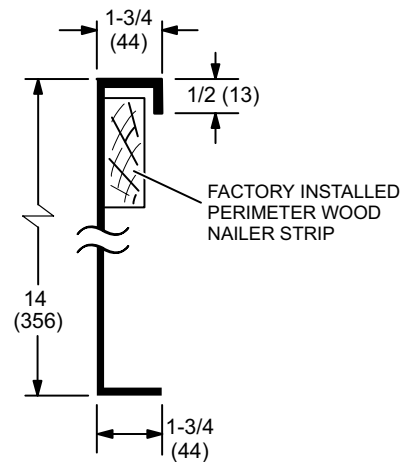


NOTE - Maximum slope pitch is 3/4 in. per 1 foot (19 mm per 305 mm) in any one direction.

**TYPICAL FLASHING DETAIL FOR ROOF CURB**

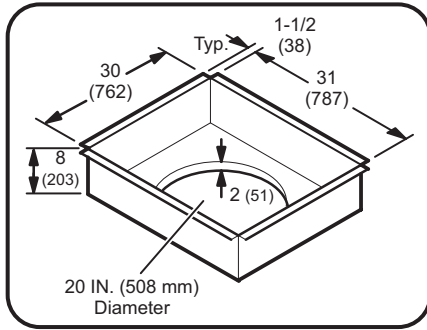


**DETAIL ROOF CURB**

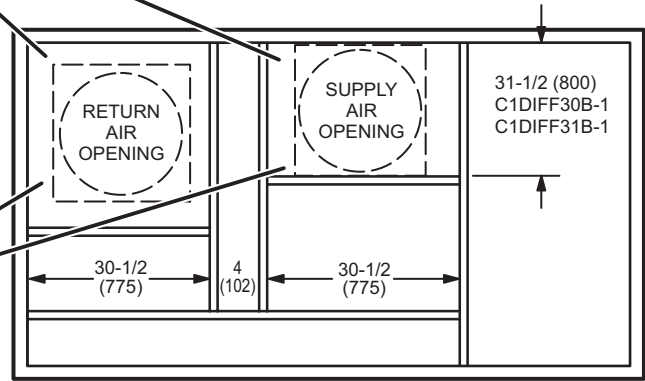
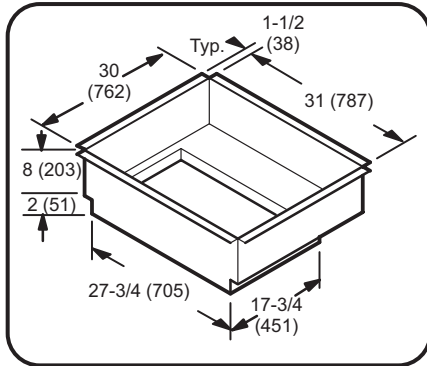


ROOF CURBS WITH SUPPLY & RETURN AIR TRANSITIONS FOR CEILING DIFFUSERS

**C1DIFF30B-1 ROUND TRANSITIONS**  
(for 078 and 092 models)



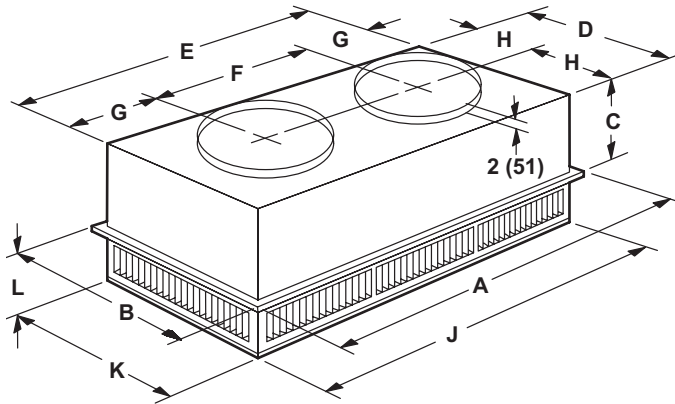
**C1DIFF31B-1 RECTANGULAR TRANSITIONS**  
(for 102, 120 and 152 models)



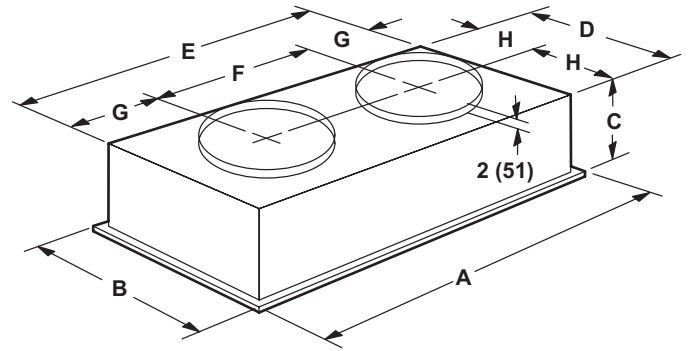
TOP VIEW

**COMBINATION CEILING SUPPLY AND RETURN DIFFUSERS**

**STEP-DOWN CEILING DIFFUSER**



**FLUSH CEILING DIFFUSER**

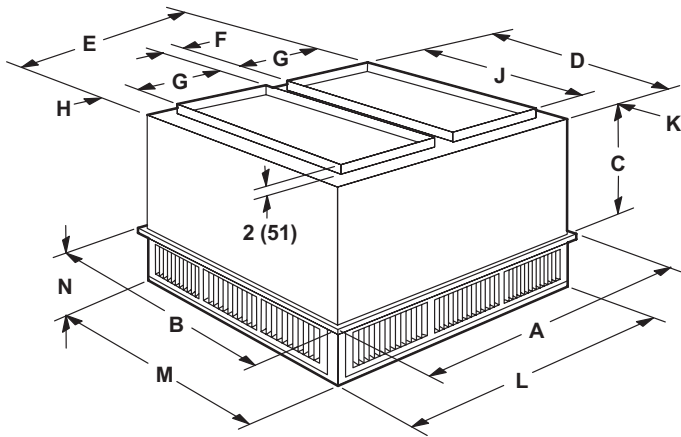


Model		RTD11-95S
A	in.	47-5/8
	mm	1159
B	in.	29-5/8
	mm	752
C	in.	14-3/8
	mm	365
D	in.	27-1/2
	mm	699
E	in.	45-1/2
	mm	1158
F	in.	22-1/2
	mm	572
G	in.	11-1/2
	mm	292
H	in.	13-3/4
	mm	349
J	in.	45-1/2
	mm	1156
K	in.	27-1/2
	mm	699
L	in.	8-1/8
	mm	206
Duct Size	in.	20 round
	mm	508 round

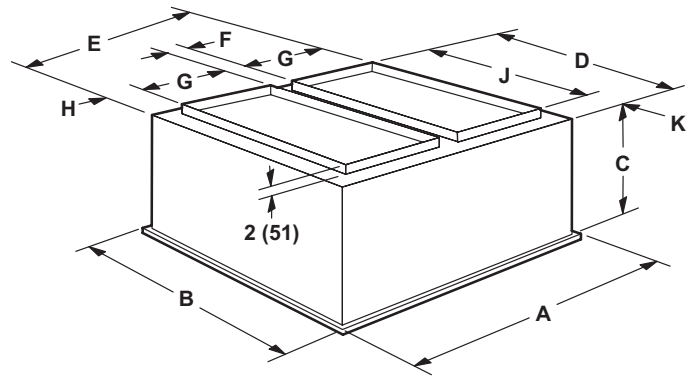
Model		FD11-95S
A	in.	47-5/8
	mm	1159
B	in.	29-5/8
	mm	752
C	in.	16-5/8
	mm	422
D	in.	27
	mm	686
E	in.	45
	mm	1143
F	in.	22-1/2
	mm	572
G	in.	11-1/4
	mm	286
H	in.	13-1/2
	mm	343
Duct Size	in.	20 round
	mm	508 round

**COMBINATION CEILING SUPPLY AND RETURN DIFFUSERS**

**STEP-DOWN CEILING DIFFUSER**



**FLUSH CEILING DIFFUSER**



Model		RTD11-135S
A	in.	47-5/8
	mm	1210
B	in.	35-5/8
	mm	905
C	in.	20-5/8
	mm	524
D	in.	33-1/2
	mm	851
E	in.	45-1/2
	mm	1156
F	in.	4-1/2
	mm	114
G	in.	18
	mm	457
H	in.	2-1/2
	mm	64
J	in.	28
	mm	711
K	in.	2-3/4
	mm	70
L	in.	45-1/2
	mm	1156
M	in.	33-1/2
	mm	851
N	in.	9-1/8
	mm	232
Duct Size	in.	18 x 28
	mm	457 x 711

Model		FD11-135S
A	in.	47-5/8
	mm	1210
B	in.	35-5/8
	mm	905
C	in.	23-1/4
	mm	591
D	in.	33
	mm	838
E	in.	45
	mm	1143
F	in.	4-1/2
	mm	114
G	in.	18
	mm	457
H	in.	2-1/4
	mm	57
J	in.	28
	mm	711
K	in.	2-1/2
	mm	64
Duct Size	in.	18 x 28
	mm	457 x 711



Visit us at [www.Lennox.com](http://www.Lennox.com)

For the latest technical information, [www.LennoxCommercial.com](http://www.LennoxCommercial.com)

Contact us at 1-800-4-LENNOX

NOTE - Due to Lennox' ongoing commitment to quality, Specifications, Ratings and Dimensions subject to change without notice and without incurring liability. Improper installation, adjustment, alteration, service or maintenance can cause property damage or personal injury. Installation and service must be performed by a qualified installer and servicing agency.

©2024 Lennox Industries, Inc.