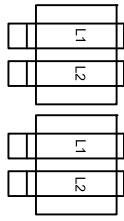
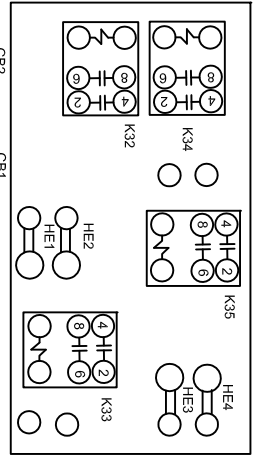
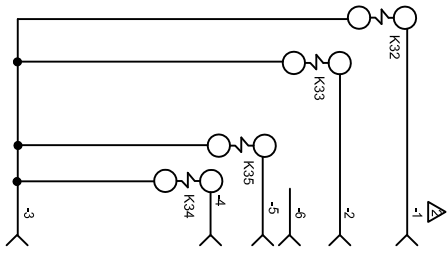


Cut Size
4-3/4" wide x 7-7/8" tall

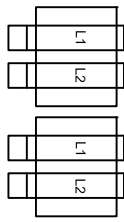
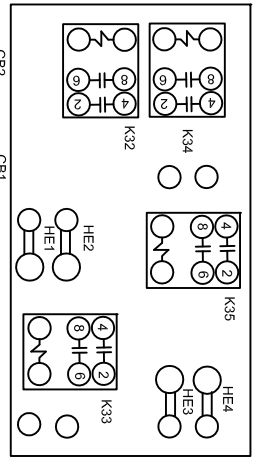
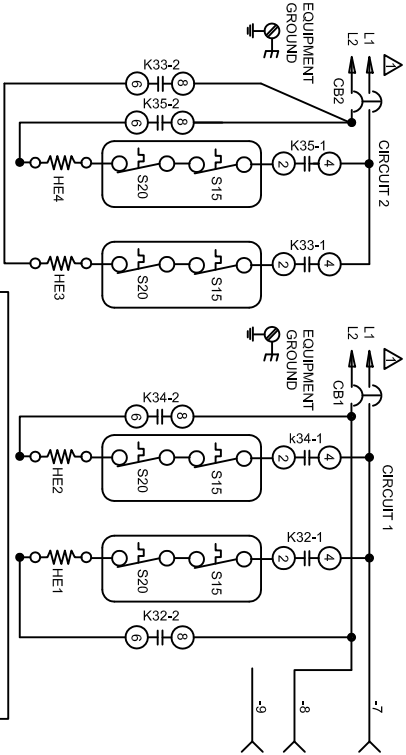


KEY	DESCRIPTION	COMPONENT
CB1	CIRCUIT BREAKER-ELECT HEAT	
CB2	CIRCUIT BREAKER-ELECT HEAT	
HE1	ELEMENT-ELECTRIC HEAT 1	
HE2	ELEMENT-ELECTRIC HEAT 2	
HE3	ELEMENT-ELECTRIC HEAT 3	
HE4	ELEMENT-ELECTRIC HEAT 4	
K32-1,2	RELAY-ELECTRIC HEAT	
K33-1,2	RELAY-ELECTRIC HEAT	
K34-1,2	RELAY-ELECTRIC HEAT	
K35-1,2	RELAY-ELECTRIC HEAT	
S15	SWITCH LIMIT PRIMARY ELECT HEAT	
S20	SWITCH LIMIT SECONDARY ELECT HEAT	

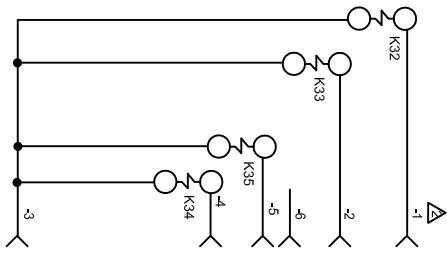


NOTE: USE COPPER CONDUCTORS ONLY

REFER TO UNIT NAMEPLATE FOR MINIMUM CIRCUIT AMPACITY AND MAXIMUM OVERCURRENT PROTECTION SIZE.
CONNECT WIRES TO 1 THRU 9 TO P8 (9 PIN CONNECTOR) ON AHC CONTROL

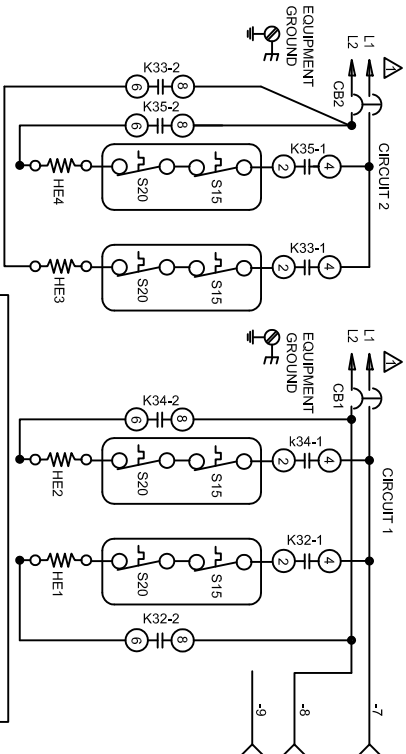


KEY	DESCRIPTION	COMPONENT
CB1	CIRCUIT BREAKER-ELECT HEAT	
CB2	CIRCUIT BREAKER-ELECT HEAT	
HE1	ELEMENT-ELECTRIC HEAT 1	
HE2	ELEMENT-ELECTRIC HEAT 2	
HE3	ELEMENT-ELECTRIC HEAT 3	
HE4	ELEMENT-ELECTRIC HEAT 4	
K32-1,2	RELAY-ELECTRIC HEAT	
K33-1,2	RELAY-ELECTRIC HEAT	
K34-1,2	RELAY-ELECTRIC HEAT	
K35-1,2	RELAY-ELECTRIC HEAT	
S15	SWITCH LIMIT PRIMARY ELECT HEAT	
S20	SWITCH LIMIT SECONDARY ELECT HEAT	



NOTE: USE COPPER CONDUCTORS ONLY

REFER TO UNIT NAMEPLATE FOR MINIMUM CIRCUIT AMPACITY AND MAXIMUM OVERCURRENT PROTECTION SIZE.
CONNECT WIRES TO 1 THRU 9 TO P8 (9 PIN CONNECTOR) ON AHC CONTROL



LENNOX HEATING-ELECTRIC

ECB38-20CB-P

Supersedes

1217



Form No.
537962-01

© 2008

Lennox U.S.A.

LENNOX HEATING-ELECTRIC

ECB38-20CB-P

Supersedes

1217



Form No.
537962-01

© 2008

Lennox U.S.A.