



538368-01

01

02

03

04

05

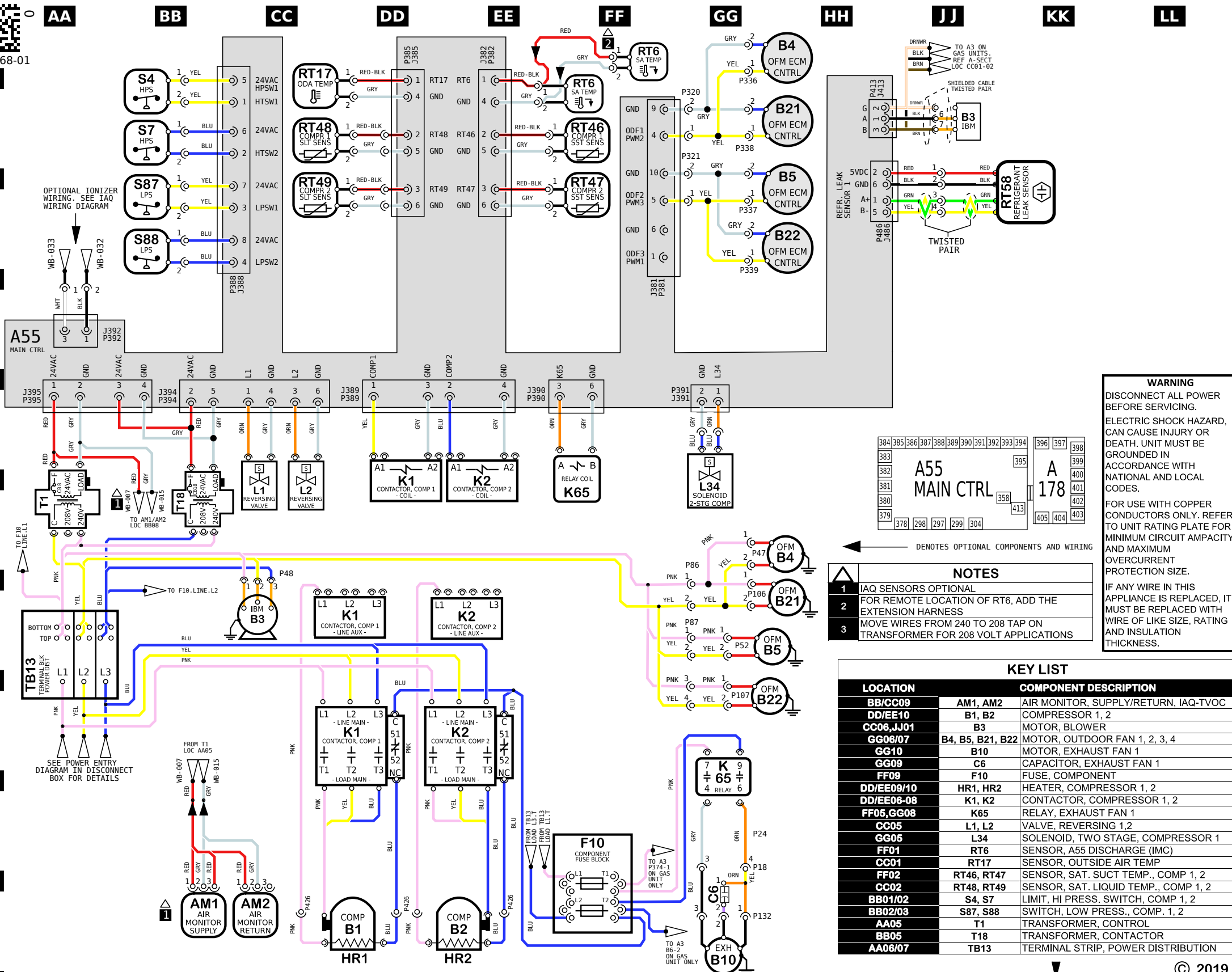
06

07

08

09

10



WARNING
DISCONNECT ALL POWER BEFORE SERVICING.
ELECTRIC SHOCK HAZARD, CAN CAUSE INJURY OR DEATH. UNIT MUST BE GROUNDED IN ACCORDANCE WITH NATIONAL AND LOCAL CODES.
FOR USE WITH COPPER CONDUCTORS ONLY. REFER TO UNIT RATING PLATE FOR MINIMUM CIRCUIT AMPACITY AND MAXIMUM OVERCURRENT PROTECTION SIZE.
IF ANY WIRE IN THIS APPLIANCE IS REPLACED, IT MUST BE REPLACED WITH WIRE OF LIKE SIZE, RATING AND INSULATION THICKNESS.

NOTES

- IAQ SENSORS OPTIONAL
- FOR REMOTE LOCATION OF RT6, ADD THE EXTENSION HARNESS
- MOVE WIRES FROM 240 TO 208 TAP ON TRANSFORMER FOR 208 VOLT APPLICATIONS

KEY LIST

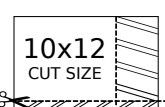
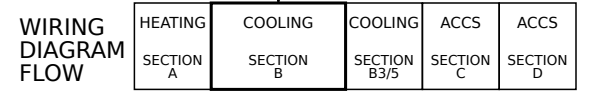
LOCATION	COMPONENT DESCRIPTION
BB/CC09	AM1, AM2 AIR MONITOR, SUPPLY/RETURN, IAQ-TVOC
DD/EE10	B1, B2 COMPRESSOR 1, 2
CC06, JJ01	B3 MOTOR, BLOWER
GG08/07	B4, B5, B21, B22 MOTOR, OUTDOOR FAN 1, 2, 3, 4
GG10	B10 MOTOR, EXHAUST FAN 1
GG09	C6 CAPACITOR, EXHAUST FAN 1
FF09	F10 FUSE, COMPONENT
DD/EE09/10	HR1, HR2 HEATER, COMPRESSOR 1, 2
DD/EE06-08	K1, K2 CONTACTOR, COMPRESSOR 1, 2
FF05, GG08	K65 RELAY, EXHAUST FAN 1
CC05	L1, L2 VALVE, REVERSING 1, 2
GG05	L34 SOLENOID, TWO STAGE, COMPRESSOR 1
FF01	RT6 SENSOR, A55 DISCHARGE (IMC)
CC01	RT17 SENSOR, OUTSIDE AIR TEMP
FF02	RT46, RT47 SENSOR, SAT. SUCT TEMP., COMP 1, 2
CC02	RT48, RT49 SENSOR, SAT. LIQUID TEMP., COMP 1, 2
BB01/02	S4, S7 LIMIT, HI PRESS. SWITCH, COMP 1, 2
BB02/03	S87, S88 SWITCH, LOW PRESS., COMP. 1, 2
AA05	T1 TRANSFORMER, CONTROL
BB05	T18 TRANSFORMER, CONTACTOR
AA08/07	TB13 TERMINAL STRIP, POWER DISTRIBUTION

© 2019

HEATING SECTION A COOLING SECTION B COOLING SECTION B3/5 ACCS SECTION C ACCS SECTION D

Product: LHT, LDT B Box - Y VOLT 152
Heat Pump Diagram with Higher SCCR

Voltage: 208-230V/3~/60Hz (Y)
Supersedes: XXXXX-XX Form No: 538368-01 Rev: 0



REV	EC NO.	DATE	BY	APVD	REVISION NOTE
---	CN-012081C	04-29-2024	FEP	MCF	ORIGINATED AT PD&R CARROLLTON, TX



538368-01

01

02

03

04

05

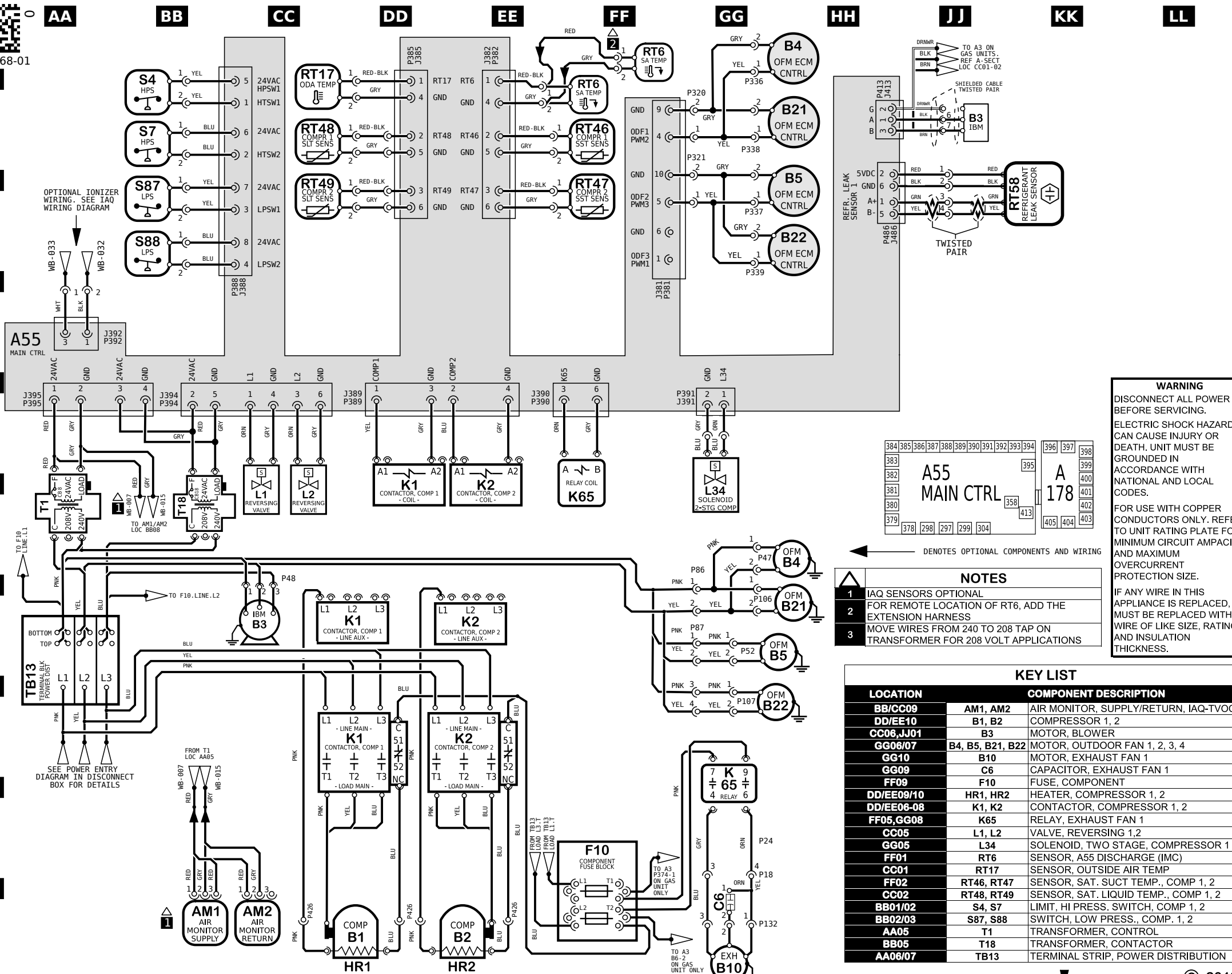
06

07

08

09

10



WARNING
DISCONNECT ALL POWER BEFORE SERVICING.
ELECTRIC SHOCK HAZARD, CAN CAUSE INJURY OR DEATH. UNIT MUST BE GROUNDED IN ACCORDANCE WITH NATIONAL AND LOCAL CODES.
FOR USE WITH COPPER CONDUCTORS ONLY. REFER TO UNIT RATING PLATE FOR MINIMUM CIRCUIT AMPACITY AND MAXIMUM OVERCURRENT PROTECTION SIZE.
IF ANY WIRE IN THIS APPLIANCE IS REPLACED, IT MUST BE REPLACED WITH WIRE OF LIKE SIZE, RATING AND INSULATION THICKNESS.

NOTES

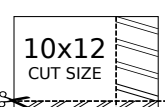
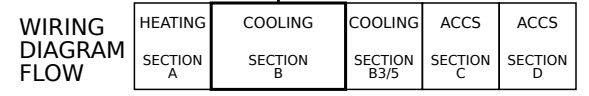
- IAQ SENSORS OPTIONAL
- FOR REMOTE LOCATION OF RT6, ADD THE EXTENSION HARNESS
- MOVE WIRES FROM 240 TO 208 TAP ON TRANSFORMER FOR 208 VOLT APPLICATIONS

KEY LIST

LOCATION	COMPONENT DESCRIPTION
BB/CC09	AM1, AM2 AIR MONITOR, SUPPLY/RETURN, IAQ-TVOC
DD/EE10	B1, B2 COMPRESSOR 1, 2
CC06, JJ01	B3 MOTOR, BLOWER
GG08/07	B4, B5, B21, B22 MOTOR, OUTDOOR FAN 1, 2, 3, 4
GG10	B10 MOTOR, EXHAUST FAN 1
GG09	C6 CAPACITOR, EXHAUST FAN 1
FF09	F10 FUSE, COMPONENT
DD/EE09/10	HR1, HR2 HEATER, COMPRESSOR 1, 2
DD/EE06-08	K1, K2 CONTACTOR, COMPRESSOR 1, 2
FF05, GG08	K65 RELAY, EXHAUST FAN 1
CC05	L1, L2 VALVE, REVERSING 1, 2
GG05	L34 SOLENOID, TWO STAGE, COMPRESSOR 1
FF01	RT6 SENSOR, A55 DISCHARGE (IMC)
CC01	RT17 SENSOR, OUTSIDE AIR TEMP
FF02	RT46, RT47 SENSOR, SAT. SUCT TEMP., COMP 1, 2
CC02	RT48, RT49 SENSOR, SAT. LIQUID TEMP., COMP 1, 2
BB01/02	S4, S7 LIMIT, HI PRESS. SWITCH, COMP 1, 2
BB02/03	S87, S88 SWITCH, LOW PRESS., COMP. 1, 2
AA05	T1 TRANSFORMER, CONTROL
BB05	T18 TRANSFORMER, CONTACTOR
AA08/07	TB13 TERMINAL STRIP, POWER DISTRIBUTION

Product: LHT, LDT B Box - Y VOLT 152
Heat Pump Diagram with Higher SCCR

Voltage: 208-230V/3~/60Hz (Y)
Supersedes: XXXXX-XX Form No: 538368-01 Rev: 0



REV	EC NO.	DATE	BY	APVD	REVISION NOTE
---	CN-012081C	04-29-2024	FEP	MCF	ORIGINATED AT PD&R CARROLLTON, TX