



538409-01

01

02

03

04

05

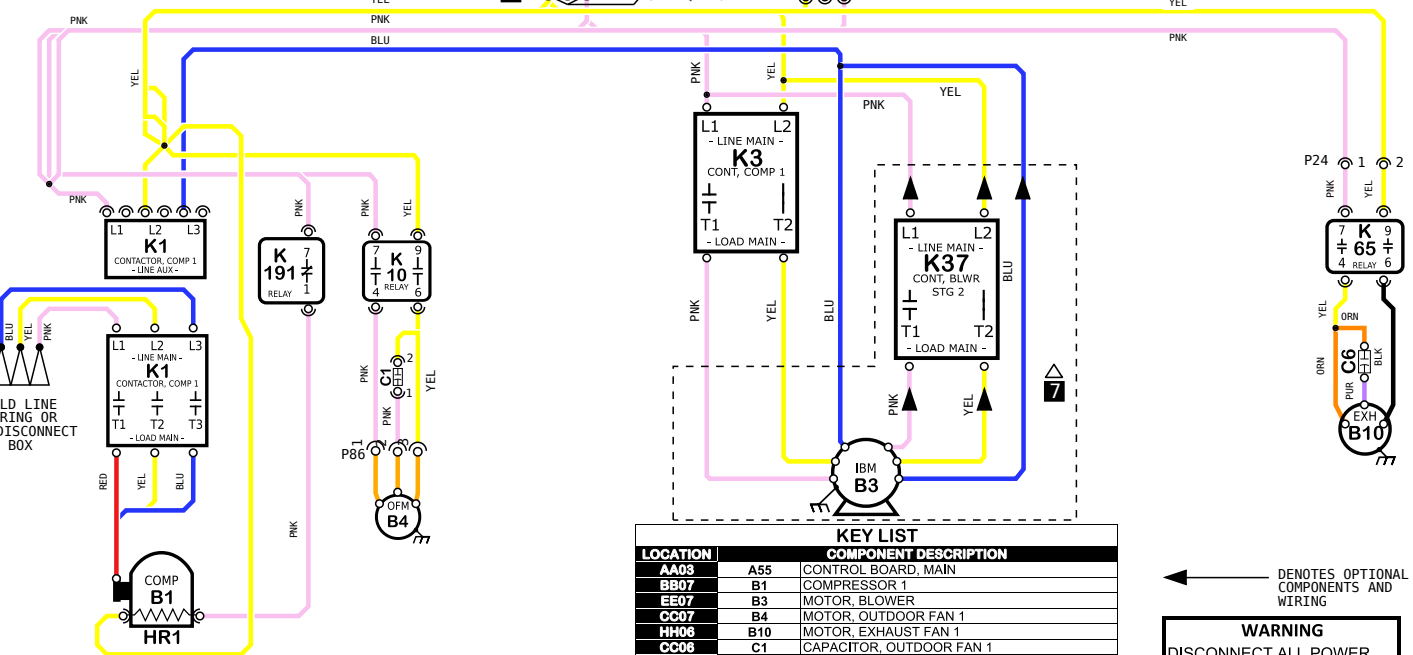
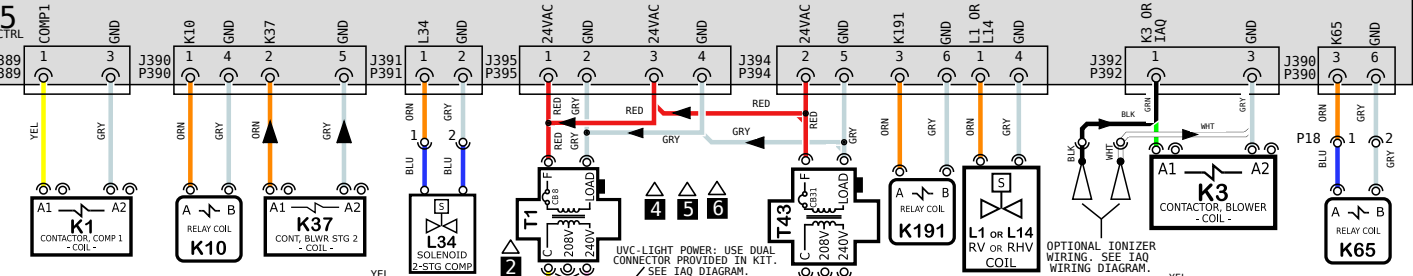
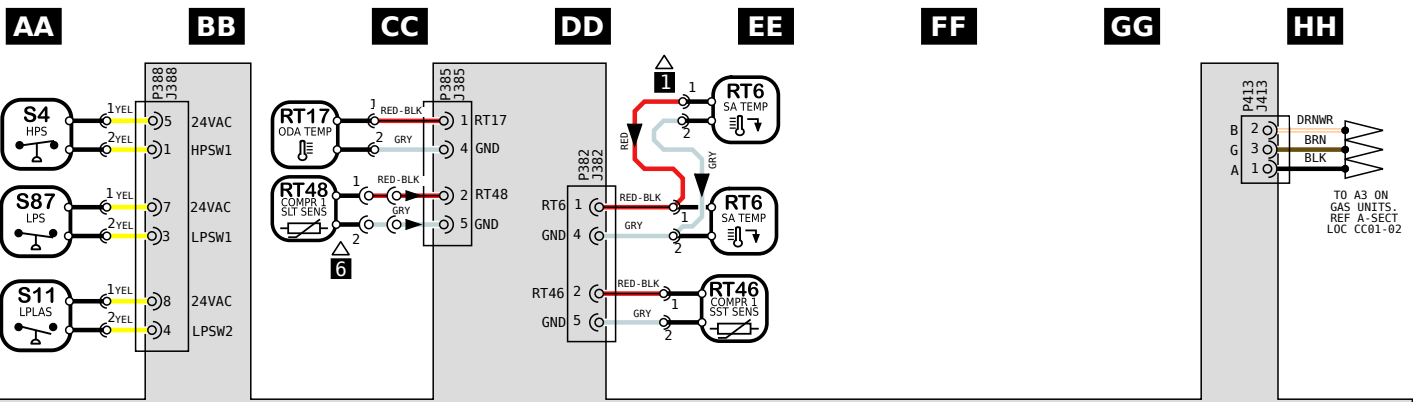
06

07

08

09

10



NOTES	
1	RT6 REMOTE MOUNT WIRING
2	MOVE WIRES FROM 240 TO 208 TAP ON TRANSFORMER FOR 208 VOLT APPLICATIONS
3	P-VOLT UNITS - CONNECT T43-C TO K1-L2
4	W/O HUMIDITROL, W/O PHASE DETECTION - T1 CONNECTED TO J/P395-1,2,3,4
5	PHASE DETECTION - T1 CONNECTED TO J/P395-1,2. T43 CONNECTED TO J/P395-3,4
6	HUMIDITROL - T1 CONNECTED TO J/P395-1,2. T43 CONNECTED TO J/P395-3,4 & J/P394-2,5. L14 CONNECTED TO J/P394-1,4

LOCATION	COMPONENT DESCRIPTION
AA03	A55 CONTROL BOARD, MAIN
BB07	B1 COMPRESSOR 1
EE07	B3 MOTOR, BLOWER
CC07	B4 MOTOR, OUTDOOR FAN 1
HH06	B10 MOTOR, EXHAUST FAN 1
CC06	C1 CAPACITOR, OUTDOOR FAN 1
HH06	C6 CAPACITOR, EXHAUST FAN 1
BB08	B808 HEATER, COMPRESSOR 1
AA04	K1 CONTACTOR, COMPRESSOR 1
BB05_06	K3 CONTACTOR, BLOWER
BB04_FF06	K37 RELAY, BLOWER
BB04_CC06	K10 RELAY, OUTDOOR FAN 1
HH04_05	K65 RELAY, EXHAUST FAN 1
BB06_FF04	K191 RELAY, CRANKCASE HEATER 1
FF04	L1 VALVE, REVERSING 1
FF04	L14 VALVE, SOLENOID, REHEAT COIL 1
CC04	L34 SOLENOID, 2 STG, COMPRESSOR 1
EE01	RT6 SENSOR, A55 DISCHARGE (IMC)
CC01	RT17 SENSOR, OUTSIDE AIR TEMP
EE02	RT46 SENSOR, SAT. SUCT TEMP., COMP 1
BB01	RT48 SENSOR, SAT. LIQUID TEMP., COMP 1
AA01	S4 LIMIT, HI PRESS., SWITCH, COMP 1
AA02	S11 SWITCH, LOW PRESS., LOW AMBIENT
AA01	S87 SWITCH, LOW PRESS., COMP 1
DD04	T1 TRANSFORMER, CONTROL
EE04	T43 TRANSFORMER, REHEAT

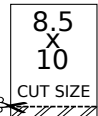
← DENOTES OPTIONAL COMPONENTS AND WIRING

**WARNING**  
DISCONNECT ALL POWER BEFORE SERVICING.  
ELECTRIC SHOCK HAZARD, CAN CAUSE INJURY OR DEATH. UNIT MUST BE GROUNDED IN ACCORDANCE WITH NATIONAL AND LOCAL CODES.  
FOR USE WITH COPPER CONDUCTORS ONLY. REFER TO UNIT RATING PLATE FOR MINIMUM CIRCUIT AMPACITY AND MAXIMUM OVERCURRENT PROTECTION SIZE.  
IF ANY WIRE IN THIS APPLIANCE IS REPLACED, IT MUST BE REPLACED WITH WIRE OF LIKE SIZE, RATING AND INSULATION THICKNESS.

Model: LCX, LHX 048 - 072H Y, G AND J VOLT COOLING - BELT DRIVE BLOWER  
Voltage: 208-240V, 460V, 575V - 3~/60Hz  
Supersedes: XXXXXX-XX Form No: 538409-01 Rev: 000

HEATING	COOLING	COOLING	ACCS	ACCS
SECTION A	SECTION B	SECTION B3/5	SECTION C	SECTION D

WIRING DIAGRAM FLOW



REV	EC NO.	DATE	BY	APVD	REVISION NOTE
---	CN-012554F	01/22/2024	RXJ	MCF	ORIGINATED AT PD&R CARROLLTON, TX



538409-01

01

02

03

04

05

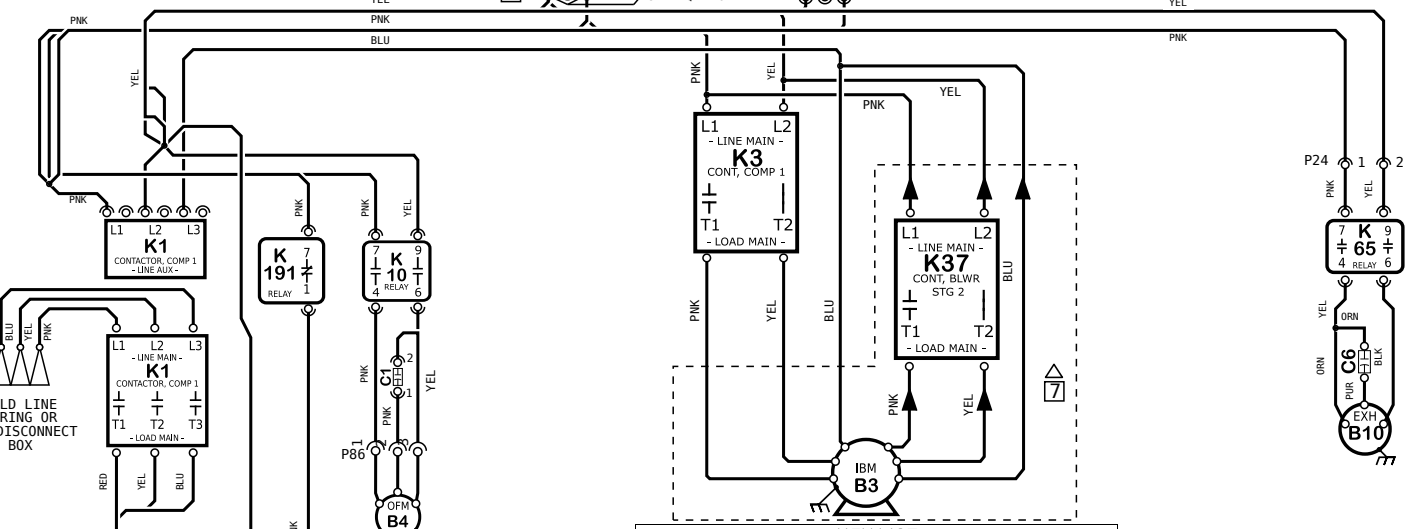
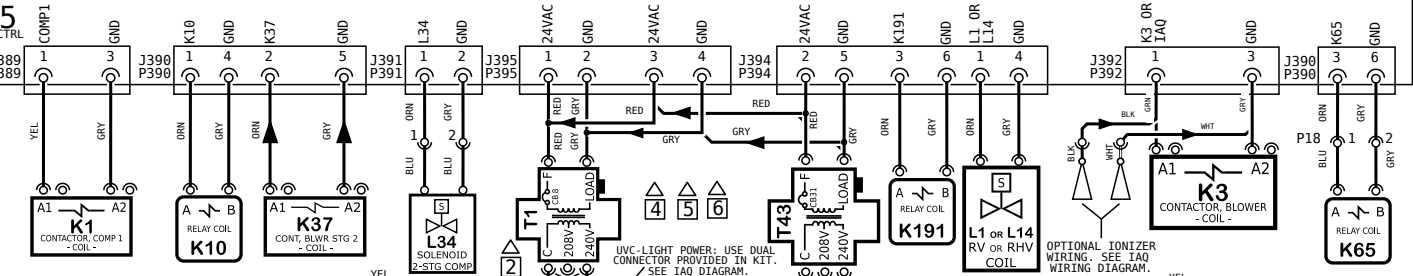
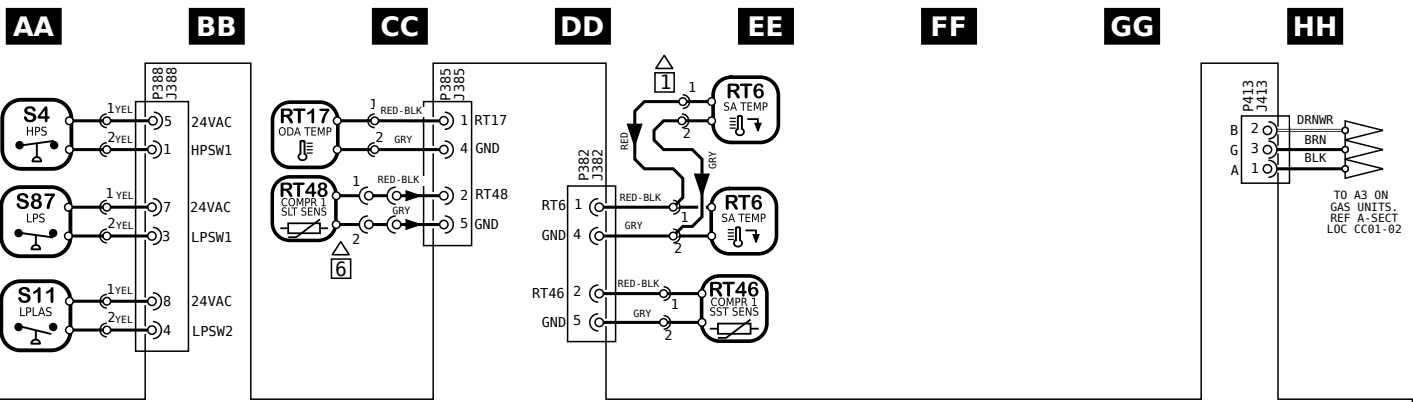
06

07

08

09

10



NOTES	
1	RT6 REMOTE MOUNT WIRING
2	MOVE WIRES FROM 240 TO 208 TAP ON TRANSFORMER FOR 208 VOLT APPLICATIONS
3	P-VOLT UNITS - CONNECT T43-C TO K1-L2
4	W/O HUMIDITROL, W/O PHASE DETECTION - T1 CONNECTED TO J/P395-1,2,3,4
5	PHASE DETECTION - T1 CONNECTED TO J/P395-1,2. T43 CONNECTED TO J/P395-3,4
6	HUMIDITROL - T1 CONNECTED TO J/P395-1,2. T43 CONNECTED TO J/P395-3,4 & J/P394-2,5. L14 CONNECTED TO J/P394-1,4

LOCATION	COMPONENT DESCRIPTION
AA03	A55 CONTROL BOARD, MAIN
BB07	B1 COMPRESSOR 1
EE07	B3 MOTOR, BLOWER
CC07	B4 MOTOR, OUTDOOR FAN 1
HH06	B10 MOTOR, EXHAUST FAN 1
CC08	C1 CAPACITOR, OUTDOOR FAN 1
HH06	C6 CAPACITOR, EXHAUST FAN 1
BB08	HR1 HEATER, COMPRESSOR 1
AA04, BB05, 06	K1 CONTACTOR, COMPRESSOR 1
EE05, GG04	K3 CONTACTOR, BLOWER
BB04, FF06	K37 RELAY, BLOWER
BB04, CC06	K10 RELAY, OUTDOOR FAN 1
HH04, 05	K65 RELAY, EXHAUST FAN 1
BB08, FF04	K191 RELAY, CRANKCASE HEATER 1
FF04	L1 VALVE, REVERSING 1
FF04	L14 VALVE, SOLENOID, REHEAT COIL 1
CC04	L34 SOLENOID, 2 STG, COMPRESSOR 1
EE01	RT6 SENSOR, A55 DISCHARGE (IMC)
CC01	RT17 SENSOR, OUTSIDE AIR TEMP
EE02	RT46 SENSOR, SAT. SUCT TEMP., COMP 1
BB01	RT48 SENSOR, SAT. LIQUID TEMP., COMP 1
AA01	S4 LIMIT, HI PRESS. SWITCH, COMP 1
AA02	S11 SWITCH, LOW PRESS., LOW AMBIENT
AA01	S87 SWITCH, LOW PRESS., COMP 1
DD04	T1 TRANSFORMER, CONTROL
EE04	T43 TRANSFORMER, REHEAT

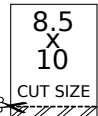
← DENOTES OPTIONAL COMPONENTS AND WIRING

**WARNING**  
DISCONNECT ALL POWER BEFORE SERVICING.  
ELECTRIC SHOCK HAZARD, CAN CAUSE INJURY OR DEATH. UNIT MUST BE GROUNDED IN ACCORDANCE WITH NATIONAL AND LOCAL CODES.  
FOR USE WITH COPPER CONDUCTORS ONLY. REFER TO UNIT RATING PLATE FOR MINIMUM CIRCUIT AMPACITY AND MAXIMUM OVERCURRENT PROTECTION SIZE.  
IF ANY WIRE IN THIS APPLIANCE IS REPLACED, IT MUST BE REPLACED WITH WIRE OF LIKE SIZE, RATING AND INSULATION THICKNESS.

Model:	LCX, LHX 048 - 072H Y, G AND J VOLT COOLING - BELT DRIVE BLOWER
Voltage:	208-240V, 460V, 575V - 3~/60Hz
Supersedes:	XXXXXX-XX Form No: 538409-01 Rev: 000

HEATING	COOLING	COOLING	ACCS	ACCS
SECTION A	SECTION B	SECTION B3/5	SECTION C	SECTION D

WIRING DIAGRAM FLOW



REV	EC NO.	DATE	BY	APVD	REVISION NOTE
---	CN-012554F	01/22/2024	RXJ	MCF	ORIGINATED AT PD&R CARROLLTON, TX