

**INSTALLATION INSTRUCTIONS FOR TRANSITION KIT
 USED WITH LGH/LCH/KG/KC/KH092-150 UNITS**

Shipping and Packing List

Package 1 of 1 contains:

- 1- Supply air transition
- 1- Return air transition
- 2- Supports

Application

The supply and return air transitions are used in downflow applications. The transitions convert unit

supply and return air openings to match FD11 and RTD11 diffusers. See table 1.

Installation

- 1- Discard all but the three longest supply and return air brace provided with the roof mounting frame. All braces are used only when custom ductwork is installed.
- 2- Install the supply and return air braces as shown in figure 1 or 2.

TABLE 1

Cat #	Model #	Unit	A (in.)	B(in)
12X65; 104505-01	C1DIFF30B-1	LGH/LCH/KG/KC/KH092	NA	NA
12X66; 104506-01	C1DIFF31B-1	LGH/LCH/KG/KC/KH102, 120	31-1/2	27-3/4
12X67; 104507-01	C1DIFF32B-1	LGH/LCH/KG/KC/KH 150	39-1/2	35-3/4

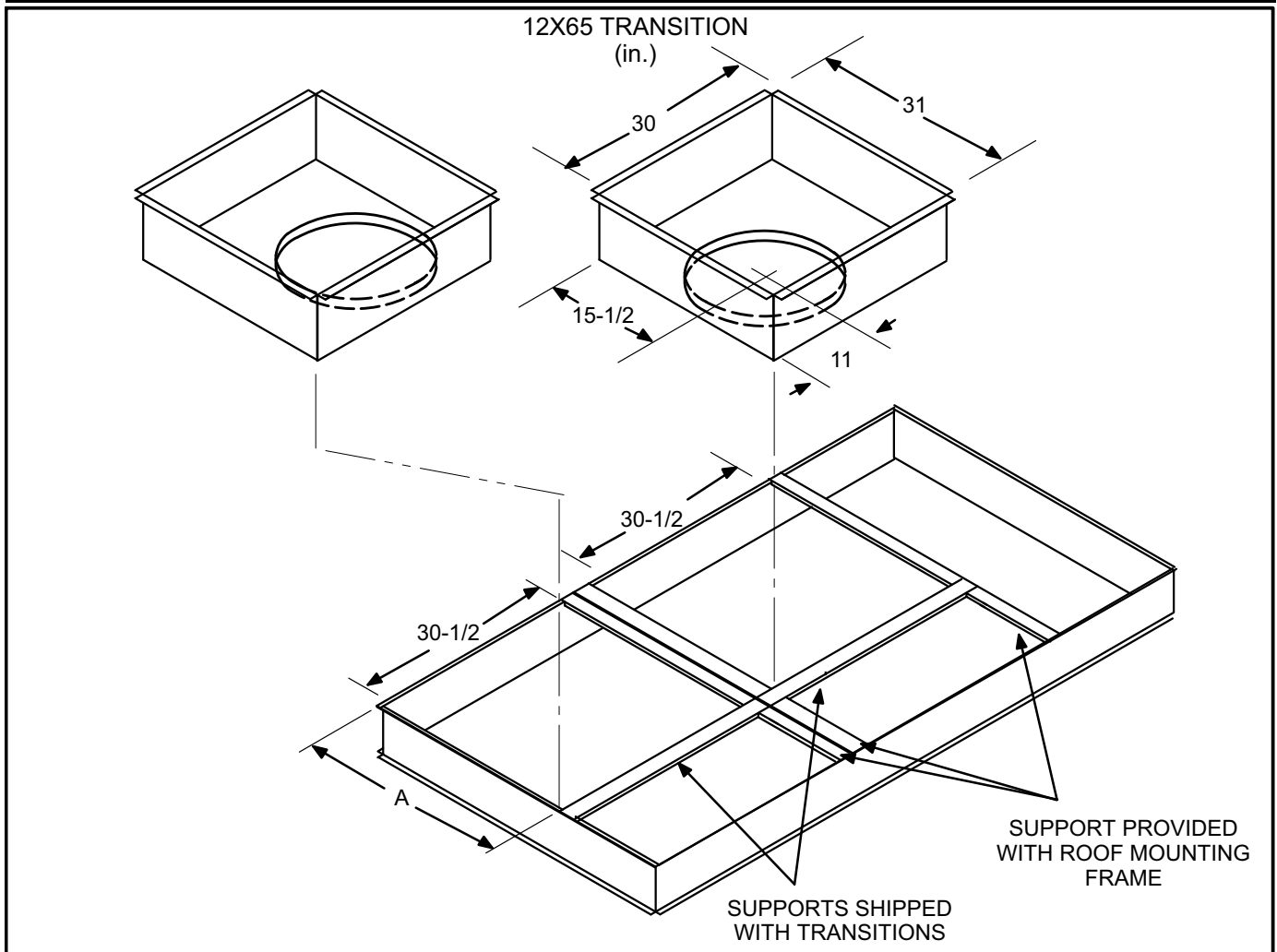


FIGURE 1

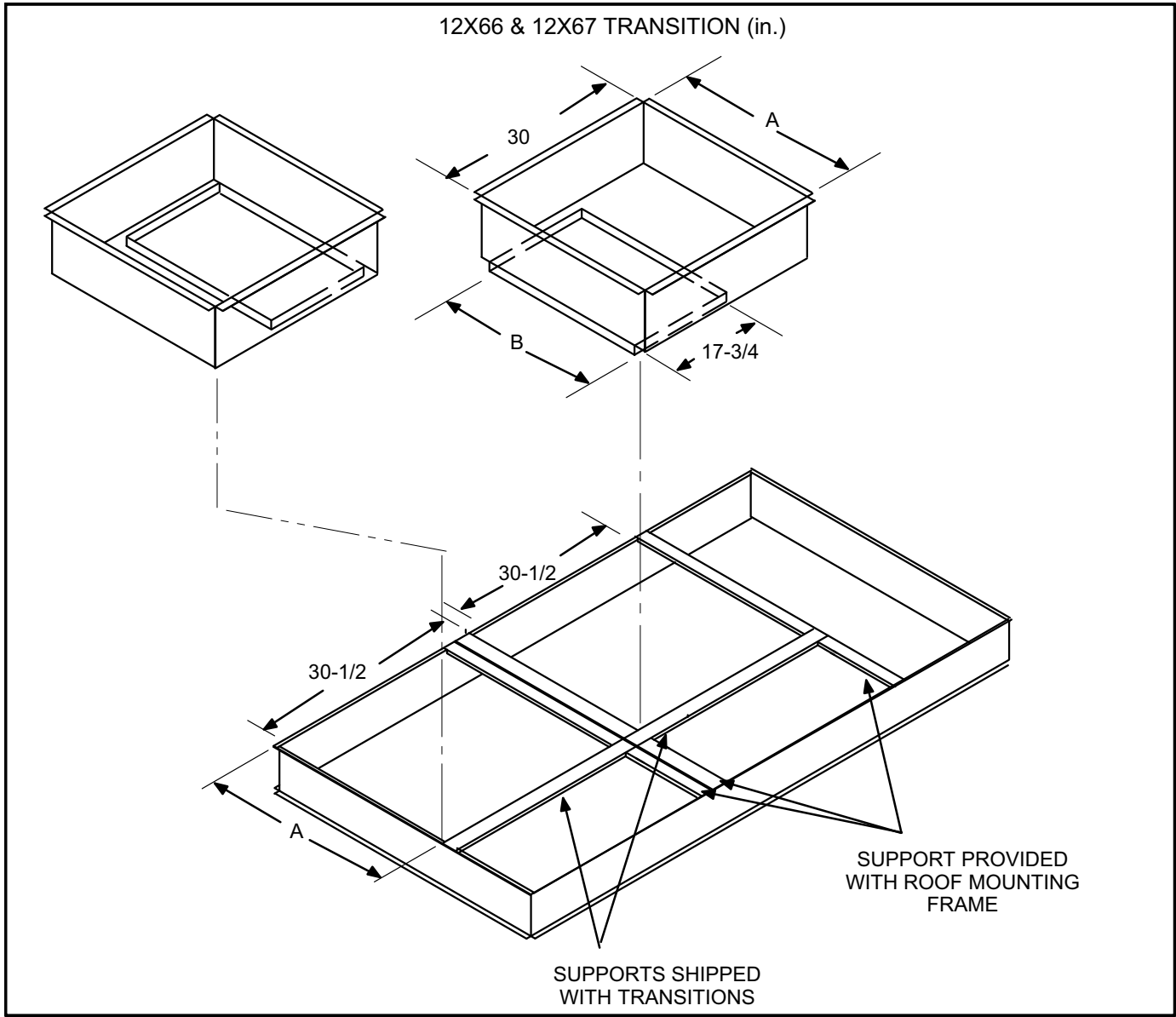


FIGURE 2

3- Install transitions in the roof mounting frame before setting unit on frame.

⚠ CAUTION

Danger of sharp metallic edges. Can cause injury. Take care when servicing unit to avoid accidental contact with sharp edges.

⚠ WARNING

Improper installation, adjustment, alteration, service or maintenance can cause property damage, personal injury or loss of life. Installation and service must be performed by a qualified installer, service agency or the gas supplier