



**RESIDENTIAL
PRODUCT SPECIFICATIONS**

Bulletin No. 210647

July 2024

Supersedes all previous versions



**ELITE®
SERIES**



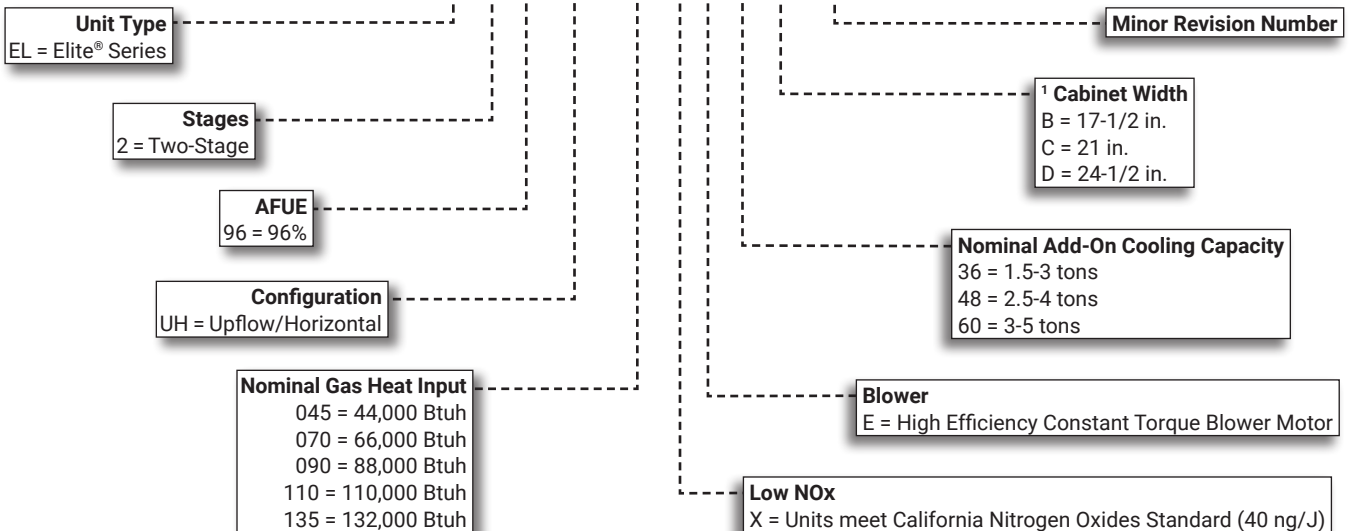
AFUE - 96%

Input - 44,000 to 132,000 Btuh

Nominal Add-on Cooling - 1.5 to 5 Tons

MODEL NUMBER IDENTIFICATION

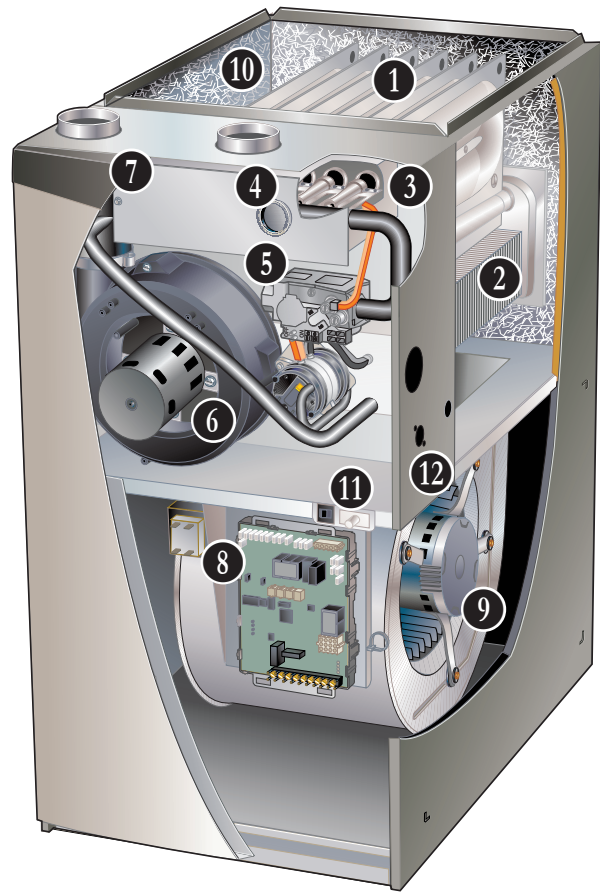
EL 2 96 UH 070 X E 36 B - 01



¹ Indoor coils with the same letter designation will physically match the furnace.

FEATURE HIGHLIGHTS

1. Lennox Duralok Plus™ Heat Exchanger
2. Secondary Heat Exchanger
3. Inshot Burners
4. SureLight® Hot Surface Ignitor
5. Two-Stage Gas Control Valve
6. Two-Speed Combustion Air Inducer
7. Flame Rollout Switches
8. SureLight® Integrated Furnace Control
9. Variable Speed Direct Drive Blower
10. Insulated Cabinet
11. Safety Interlock Switch
12. Gas Piping And Electrical Inlets



CONTENTS

| | |
|--|----|
| Blower Data | 22 |
| Approvals And Warranty | 3 |
| Dimensions | 15 |
| - Furnace/Coil Combined Dimensions | 21 |
| - Optional Accessories | 17 |
| - Optional Accessories - Venting | 18 |
| - Unit - Horizontal Position | 16 |
| - Unit - Upflow Position | 15 |
| Features | 3 |
| Gas Heat Accessories | 11 |
| High Altitude Derate | 11 |
| Installation Clearances | 14 |
| Model Number Identification | 1 |
| Optional Accessories - Order Separately | 10 |
| Specifications | 9 |
| Vent Lengths | 13 |
| Vent Lengths - Uninsulated Exhaust Pipe In Unconditioned Space | 12 |

APPROVALS AND WARRANTY

APPROVALS

- AHRI Certified
- CSA International Certified
- Tested and rated according to US DOE test procedures and FTC labeling regulations
- Units are approved for installations from 0 - 4500 ft.
- ENERGY STAR® certified units are designed to use less energy, help save money on utility bills, and help protect the environment
- ISO 9001 Registered Manufacturing Quality System
- Blower data from unit tests conducted in Lennox Laboratory air test chamber

NOTE - This furnace has not been CSA International design certified for installation in mobile homes, recreational vehicles, or outdoors.

California Only

- These furnaces **do not meet** the South Coast Air Quality Management District (SCAQMD) Rule 1111 and San Joaquin Valley Air Pollution Control District (SJVAPCD) Rule 4905 NOx emission limit (14 ng/J) and cannot be installed within the SCAQMD, SJVAPCD and Bay Area
- These furnaces are approved by the California Energy Commission and meets California Nitrogen Oxides Standard (NOx) limits of 40 ng/J

WARRANTY

- Duralok Plus™ Aluminized Steel Heat Exchanger:
 - Limited lifetime (twenty year transferable) in residential applications
 - Limited ten years in non-residential applications
- All other covered components:
 - Limited five years in residential installations
 - Limited one year in non-residential installations

NOTE - Refer to Lennox® Basic Limited Warranty at www.Lennox.com for additional details.

FEATURES

APPLICATIONS

- Input capacities of 44,000, 66,000, 88,000, 110,000 and 132,000 Btuh
- Energy efficiency (AFUE) - 96%
- Compact cabinet for upflow, horizontal-left or horizontal-right applications without any modifications
- Removable bottom seal panel shipped in place for side return air is easily removed for bottom/end return air applications
- Lennox add-on indoor coils, high-efficiency air cleaners and humidifiers can easily be added to furnace
- Shipped factory assembled with all controls installed and wired
- Each unit factory test operated to ensure proper operation

HEATING SYSTEM

- 1 **Lennox Duralok Plus™ Heat Exchanger Assembly**
 - Lennox developed heat exchanger assembly consists of primary heat exchanger and secondary condenser coil assembly
 - Main multi-pass crimped seam design clamshell type
 - Constructed of heavy-gauge, aluminized steel
 - Designed for normal expansion and contraction with maximum efficiency and minimum resistance to air flow
- 2 **Secondary heat exchanger condenser coil constructed of aluminum fins fitted to stainless steel tubes**
 - Coil is factory tested for leaks
 - Condensate drain header box assembly located on front of coil
 - Compact size permits low overall design of furnace cabinet
 - Laboratory life cycle tested in excess of industry standards

FEATURES

HEATING SYSTEM (continued)

Lennox Designed Header Box

- Header box on end of condenser coil collects flue condensate for disposal through condensate drains
- Drains are located on each side of the cabinet for easy field installation of condensate drain trap
- Only one drain is used, the other drain is sealed
- Condensate drain trap is included with the unit for field installation

Lennox Designed Flue Condensate Trap Assembly

- Field installed outside the conditioned air stream
- Assembly can be mounted on either side of cabinet in upflow applications
- Assembly is mounted below the cabinet in horizontal applications
- Can also be mounted remotely (up to 5 ft. away) from unit
- See installation instructions
- 90° street elbow furnished for ease of drain trap installation
- Drain connection can be made with field provided PVC pipe, PVC coupling, or vinyl tubing with hose clamp
- Drain cap on trap allows easy cleaning and winterizing

3 Inshot Burners

- Aluminized steel inshot burners provide efficient, trouble-free operation
- Burner venturi mixes air and gas in correct proportion for proper combustion
- Burner assembly can be removed from the unit as a single component for ease of service

4 SureLight® Hot Surface Ignitor

- Tough, reliable, long-life, trouble-free performance
- Silicon nitride ignitor
- Cemented to steatite block for protection against current leakage
- Ignition leads are constructed of nickel plated copper and are enclosed in high temperature Teflon® insulation for dependable operation

5 Two-Stage Gas Control Valve

- 24 volt redundant combination two-stage gas control valve combines manual shut off switch (On-Off), automatic electric valve (dual) and gas pressure regulation into a compact combination control

6 Two-Speed Combustion Air Inducer

- Permanent split capacitor (PSC), heavy duty blower prepurges heat exchanger and safely vents flue products
- Operates only during heating cycle
- Dual pressure switches (low fire/high fire) prove blower operation before allowing gas valve to open
- Direct access allows inducer assembly to be rotated 90° clockwise or counterclockwise to facilitate easy vent attachment in horizontal applications

7 Flame Rollout Switches (2)

- Factory installed on burner box
- Switch provides protection from abnormal operating conditions
- Manual reset

Limit Control

- Primary limit is accurately located on vestibule panel
- Automatic reset

Optional Accessories

High Altitude Orifice Kits

- Required on all units for proper unit operation at altitudes from 7501 to 10,000 ft.
- Available for natural gas and LPG/propane

High Altitude Pressure Switch Kit

- Required for proper unit operation on installations above 4500 ft.

Natural Gas to LPG/Propane Conversion Kit

- Required for field changeover from natural gas to LPG/Propane

LPG/Propane to Natural Gas Conversion Kit

- Required for field changeover from LPG/Propane to natural gas

Muffler (US Only)

- Significantly reduces outdoor operating sound levels
- Two-inch diameter muffler is optional for 045 through 110 input models

NOTE - Two-inch muffler is optional for the 110 input model with a maximum vent pipe length of up to 29 ft. Three-inch diameter muffler is optional for 110 and 135 input models.

NOTE - Three-inch muffler is optional for the 110 input model with a minimum vent pipe length of 30 ft.

- Installed vertically in the exhaust piping
- See Optional Accessory Dimension Drawing

DIRECT VENT / NON-DIRECT VENT SEALED COMBUSTION SYSTEM

- Furnace features a "sealed combustion" system and can be installed in either Direct Vent or Non-Direct applications
- In Direct Vent applications, combustion air is supplied from outdoors and flue gases are discharged outdoors
- In Non-Direct Vent applications, combustion air is supplied from indoors and flue gases are discharged outdoors

NOTE - Lennox has approved the use of DuraVent® PolyPro® and Centrotherm InnoFlue® manufactured vent pipe and terminations as an alternative to PVC vent pipe. Must be ordered separately.

- Tested and listed to the ULC S636 standard in Canada

FEATURES

DIRECT VENT / NON-DIRECT VENT SEALED COMBUSTION SYSTEM (continued)

- The polypropylene venting system must follow the uninsulated and unconditioned space vent lengths listed in the table on 13
- Refer to the Installation Instructions for additional details

Flue Coupling

- Assists with exhaust flue piping connection and servicing
- Includes flexible one 2 inch rubber coupling and two adjustable bands
- Approved for all Lennox 90% furnaces

Termination Kits

- Facilitates installation of combustion air intake pipe and flue exhaust pipe
- Refer to venting table in this bulletin to determine pipe size needed and proper termination kit required
- Certain Termination Kits are certified to ULC S636 standard for use in Canada only
- See Optional Accessories table and dimension drawings

Concentric - Direct Vent Applications

- 2 or 3 inch kit contains concentric termination assembly, reducer bushing and 45 degree elbow
- 2 inch kit for -045-070 models contains an outdoor exhaust accelerator
- Kit requires single hole penetration of roof or wall for installation
- Roof Termination Flashing Kit is available for use with 2 inch Kits
- CSA certified

Flush-Mount

- Kit contains flush-mount termination, accelerator, mounting template and hardware
- Kit may be used with 2, 2-1/2 or 3 in. pipe

Wall Assembly

Close Couple (US Only) - Direct Vent Applications

- 2 or 3 inch kit consists of close-couple, side-by-side PVC piping with galvanized steel wall cover plate for sealing and isolating piping penetration of the wall
- Piping spacing and length is sized for proper wall installations
- CSA certified

Close Couple WTK (Canada Only) - Direct Vent Applications

- 2 or 3 inch kit contains one insulated faceplate, one insulated exhaust pipe, elbow and fittings. Certified to ULC S636 standard

NOTE - Maintain a maximum of 6 inches between the inlet and outlet openings in the installation of the pipes.

Roof Termination Flashing Kit

- For vertical venting through a roof
- 2 or 3 inch kit contains two neoprene rubber roof flashings
- Vent pipe and insulation not furnished
- Flashing Kit can also be used with Concentric Vent Termination Kits used in vertical venting rooftop applications

CONTROLS

8 SureLight® Integrated Furnace Control

- Contains all necessary controls and relays to operate furnace
- Combustion air inducer is operated by the integrated furnace control
- Prior to ignition, a pre-purge cycle for 15 seconds is initiated
- After the main burners are turned off, a post-purge cycle for 5 seconds is run
- **Safety Controls** - Flame sensor utilizes flame rectification for safe and reliable operation
- Should loss of flame occur, the integrated furnace control will initiate 4 re-attempts at ignition before locking out unit operation for 60 minutes
- Watchguard type circuit automatically resets ignition controls after one hour of continuous thermostat demand after unit lockout, eliminating nuisance calls for service
- **Thermostat Control** - For optimal performance, the use of a high-quality, digital two-stage thermostat with adjustable settings for first stage/second stage, on/off differentials and adjustable stage timers is recommended

Furnace Input Staging Options

| Thermostat Type | Input Staging Available |
|------------------------------------|--|
| Two-Stage (Conventional) | Determined by thermostat demand |
| Single-Stage (Conventional) | 2nd-stage heat ON delay (DIP switch setting) OFF - 7 minutes (factory) ON - 12 minutes |

- **Display LED** - Seven segment LED displays alphanumeric information related to diagnostics as well as system operation and status
- Diagnostic codes are held in non-volatile memory, immune from power interruptions
- Holds up to ten diagnostic codes in order of occurrence for recall on demand
- Port on blower door allows for easy viewing

DIP Switch Settings

- **Select Thermostat Used** - Single-Stage or Two-Stage
- Two selectable second stage recognition times (7 and 12 minutes) are available on the control when the furnace is used with a single-stage thermostat

FEATURES

CONTROLS (continued)

- When used with a two-stage thermostat, furnace will only initiate second stage operation with a second stage thermostat demand
- **Second Stage Delay** - Used with single-stage thermostat only. See Furnace Input Staging Options table for details
- **Blower On/Off Time (Heating)** - Blower on time is fixed at 30 seconds, blower off time is adjustable from 60, 90, 120 and 180 seconds (factory setting - 90 seconds)
- **Blower On/Off Time (Cooling)** - For air-conditioning applications, blower "on" time is 2 seconds following thermostat demand for cooling
- Blower "off" time in cooling mode is adjustable from 2 or 45 seconds (factory setting - 45 seconds)
- For air-conditioning applications, blower is automatically energized on thermostat demand for cooling
- **Heating Speeds** - Low Heat or High Heat
- **Cooling Speeds** - Low Cool or High Cool
- **Continuous Speed** - Low Heat (factory setting) - adjustable
- **Dehumidification** - A jumper on the control must be clipped to enable dehumidification
- A humidity controlling thermostat or device is also required
- During a call for cooling, air volume is automatically reduced, forcing humidity removal by the air conditioner or heat pump system (single stage units or two-stage units running at 2nd stage)
- After the humidity has reached the desired set-point the cooling air volume returns to its designed rate
- **Dual-Fuel Operation** - A jumper on the control must be clipped to enable operation with a single or two-stage heat pump
- The indoor blower is started without delay when a call for heat is received
- **Two-Stage Compressor Operation** - A jumper on the control must be clipped to enable operation with a two-stage compressor
- **Accessory Terminal** - One accessory terminal furnished for additional power supply requirements for 120 volt (less than 1 amp) powered air cleaners
- One un-powered pair of contacts are provided for humidifier connections and may be connected to 24V or 120V
- Control is factory installed in the unit control box

24 Volt Transformer (40VA)

- Furnished and factory installed on outside of control box
- Circuit breaker (furnished) is wired in series

Field Wiring Make-up Box

- Furnished for line voltage wiring
- Factory installed internally on left side of furnace
- Box may be installed internally on right side of furnace

Optional Accessories

E30 Smart Wi-Fi Thermostat

- Wi-Fi enabled, electronic 7-day, universal, multi-stage, programmable, touchscreen thermostat
- 3 Heat/2 Cool
- Auto-changeover
- Controls dehumidification during cooling mode and humidification during heating mode
- Offers enhanced capabilities including humidification / dehumidification / dewpoint measurement and control, Humiditrol® control, and equipment maintenance reminders
- Easy to read 7 in. color touchscreen (measured diagonally)
- LCD display with backlight shows the current and set temperature, time, inside relative humidity, system status (operating mode and schedules) and outside temperature (optional outdoor sensor required)
- Smooth Setback Recovery starts system early to achieve setpoint at start of program period
- Compressor short-cycle protection (5 minutes)
- Up to four separate schedules are available plus Schedule IQ™
- One-Touch Away Mode - A quick and easy way to set the cooling and heating setpoints while away
- Smart Away™ - Uses geo-fencing technology to determine when the homeowner is within a predetermined distance from the home to operate the system when leaving, away and arriving
- Wi-Fi remote monitoring and adjustment through a home wireless network for desktop PCs, laptops and apps for smartphones or tablets
- Smart home automation compatible with Apple HomeKit™, Amazon Alexa®, Google Assistant and IFTTT
- Service Dashboard features online real-time monitoring of installed Lennox® thermostats
- High Definition Color Display with Subbase, Smart Hub Controller, wallplate (for retrofit installations) furnished for easy installation
- See the Lennox® E30 Smart Wi-Fi Thermostat Product Specifications bulletin for more information



Remote Outdoor Temperature Sensor

- Used with the Lennox® E30 Smart Wi-Fi Thermostat
- When installed outdoors, sensor allows thermostat to display outdoor temperature

NOTE - Sensor is required for Enhanced Dehumidification Control (EDA) applications.



FEATURES

CONTROLS (continued)

Optional Accessories (continued)

Thermostat

- Thermostat is not furnished with unit
- See Lennox Price Book for selection

Furnace Twinning Panel

- Required to operate two identical furnaces simultaneously from a single thermostat
- For single stage conventional (1 heat/1 cool), multi-stage conventional (2 heat/2 cool) and heat pump (3 heat/2 cool) equipment
- Can be used with common or separate ducted systems
- Contains PC Control Board with terminal strip connections for thermostat and HVAC equipment
- LEDs indicate system operating status
- Uses standard 18-gauge thermostat wire
- Power Supply: 24 VAC, 40VA (transformer not furnished)
- Mounting base with hardware furnished
- Dimensions (H x W x D): 10 x 5 x 2 in.

NOTE - Only identical furnaces should be twinned in order to ensure that both furnace blowers start at the same time. If furnaces are not identical, back draft dampers can be installed in either the supply or return duct.

Up to four identical furnaces can be twinned.
Requires two panels that are wired together.

Furnace Twinning Kit

- Required to operate two furnaces simultaneously.
- Kit consists of twinning relays, quick connect terminals and mounting hardware
- Used for two-stage heating/single-stage cooling with either a single-stage or two-stage thermostat

Transformer (75VA)

- Recommended when furnace is used with zoning or defrost thermostats and other 24V accessories requiring a higher VA rating
- Circuit breaker (furnished) is wired in series
- Replaces the standard 40VA transformer

Blower Relay Kit

- For use with two-stage outdoor units
- Allows furnace blower speed changes when matched with two-stage air conditioners or heat pumps

BLOWER

- Direct drive blower
- Statically and dynamically balanced
- Resiliently mounted
- Blower assembly easily removed for servicing

9 Power Saver™ Constant Torque Blower Motor

- DC Brushless Motor
- High Efficiency Constant Torque
- ECM (Electronically Commutated Motor)
- Motor is programmed to provide constant torque at each of the selectable speeds
- Motor is controlled by the SureLight® Integrated Furnace Control
- Blower speeds are easily changed on the integrated furnace control
- See Blower Data tables

CABINET

- Low-profile, narrow width allows easy installation
- Heavy-gauge, cold rolled steel construction
- Pre-painted cabinet finish
- Flanges provided on supply air opening for ease of plenum connection or alignment with indoor coil
- 10 • Insulated with foil faced insulation on sides and back of heating compartment and mat faced insulation in blower compartment
- Sealed blower compartment
- Inner blower compartment access panel seals blower compartment from air leakage
- Cabinet door can be removed without any tools
- Complete service access
- 11 • Safety interlock switch automatically shuts off power to unit when blower compartment access door is removed
- 12 • Gas piping and electrical inlets are provided in both sides of cabinet

FEATURES

CABINET (continued)

Bottom/Side Return Air Entry:

- Upflow/horizontal with bottom return air entry:
 - Remove furnished bottom seal panel from cabinet
- Upflow only with side return-air entry:
 - Corners are marked on either side of cabinet for return air cut-out
- See dimension drawings

NOTE - 60C and 60D size units that require air volumes over 1800 cfm must have one of the following:

1. Single side return air and Optional Return Air Base with transition that must accommodate required 20 x 25 x 1 inch air filter to maintain proper velocity
 2. Bottom return air
 3. Return air from both sides
 4. Bottom and one side return air
- See Blower Performance Tables for additional information

Coil Match-Up

- All furnaces exactly match Lennox cased upflow indoor coils and horizontal indoor coils with same letter designation (A, B, C, D) in model number
- No adaptor required
- Engaging holes furnished on cabinet for alignment
- Lennox uncased coils match furnaces without any overhang but require an optional adaptor base or field fabricated transition to match furnace opening
- See coil bulletin for additional information

Low Leakage Cabinet

- All models have less than 2% air leakage
- Meets ANSI/ASHRAE Standard 193-2010 "Method of Test for Determining the Air Tightness of HVAC Equipment"

Optional Accessories

Condensate Drain Heat Cable Kits

- Self-limiting wattage heat cable prevents condensate drain from freezing in unconditioned areas
- Available in 6 or 24 ft. lengths

Horizontal Suspension Kit

- Provides suspension of unit and indoor coil in horizontal applications
- Allows complete service access
- Consists of corner mounted hanging brackets with vibration isolators, return air end support rail and hardware for assembly
- Metal hanging straps must be field provided

Crawl Space Vent Drain Kit

- Allows venting through a crawl space for upflow and horizontal applications
- Kit for Canada is certified to ULC S636
- Includes 2 or 3 inch sanitary tee, 2 inch PVC assembly, PVC boot and clamp

Return Air Base

NOTE - On furnaces with side return air and condensate trap on the same side of the cabinet, a field fabricated transition or Return Air Base is required when using an IAQ product higher than 14-3/16 inches installed next to the unit and serviced from the front. IAQ products higher than 20 inches require a field fabricated transition.

NOTE - Must be used for 60C and 60D size models with air volumes over 1800 cfm in upflow applications when only one side return is required.

- Cabinet is shipped flat for easy field assembly
- Pre-painted steel to match the furnace
- See Dimension Drawing

High Performance Economizer (Commercial Applications Only)

- Designed for applications requiring outdoor air to be utilized in a commercial HVAC system
- Allows the entry of fresh outdoor air for free cooling, reducing the requirement for mechanical cooling
- Heavy gauge galvanized steel cabinet lined with thick fiberglass insulation
- Mixed air sensor, outdoor air sensor and 24VAC transformer furnished
- Approved for California Title 24 building standards. ASHRAE 90.1-2010 compliant
- See separate Product Specifications bulletin for additional information and available control and sensor options

FILTER (not furnished)

- Filter and provisions for external mounting must be field provided

Optional Accessories

Air Filter and Rack Kit for Horizontal Return Air (End) Applications

- Washable or vacuum cleanable polyurethane frame type filter and external end return air rack
- Rack has filter door for servicing
- Flanges on rack for duct connection
- Field installed
- See dimension drawing

Air Filter and Rack Kit for Upflow Side Return Air

NOTE - Not for use with Return Air Base

- Washable or vacuum cleanable polyurethane frame type filter and external side return air rack available for field installation
- Available in single and ten pack kits
- Rack has filter door for servicing
- Flanges on rack for duct connection
- Field installs on either side of unit cabinet
- See dimension drawing

FEATURES

REFRIGERATION DETECTION SYSTEM (RDS)

Optional Accessories

Refrigerant Detection System (RDS) Coil Sensor Kit

- Complies with UL 60335-2-40 approved standard
- Required for field installation for all systems using R-454B refrigerant if sensor is not furnished with coil
- Consists of Refrigerant Detection System (RDS) sensor, lineset sleeves, mounting brackets and A2L labeling
- Sensor ensures safe operation for systems equipped with R-454B refrigerant
- Sensor will detect any refrigerant leaks if they occur

Refrigerant Detection System (RDS) Blower Control Board Communicating Blower Control Board (Universal)

- Communicating Blower Control Board and Sensor can be used universally with any Lennox® communicating furnace or any non-communicating 24 volt furnace

Non-Communicating Blower Control Board

- Non-Communicating Blower Control Board and Sensor can be used with any non-communicating 24 volt furnace

Standard Features

- Complies with UL 60335-2-40 approved standard
- Required for all systems using R-454B refrigerant
- Connects to the RDS sensor furnished with the RDS Coil Sensor Kit
- Supports up to two RDS Sensors (factory setting)
- Used as an interface between indoor unit and thermostat to control system in case of a refrigerant leak
- Ensures safe operation for systems equipped with R-454B refrigerant
- If a leak is detected, the refrigerant detection system will stop compressor and/or heating operation and operate the blower to reduce concentrations in the conditioned space
- Once safe levels are reached the HVAC system will resume normal operation
- Multi-color LED for system status and as an aid in troubleshooting
 - Flashing LED codes for system status (Green/Blue) and diagnosing Sensor errors (Red)

- Alarm relay can trigger an external alarm if a leak is detected
- Zone relay opens all zone dampers (if part of a zoning system) if a leak is detected
- Power is disabled to non-communicating thermostats to prevent demand if a leak is detected
- On system start-up blower will run for five minutes and any thermostat demands are disabled
- Dimensions (H x W x D): 7-7/16 x 7-7/16 x 2-1/2 (189 x 189 x 127 mm)

NOTE - See Refrigerant Detection System (RDS) Components Table on page <?>.

See the CK40 Indoor Coil Product Specifications bulletins for more information.

Refer to the Installation Instructions for additional information.

SPECIFICATIONS

| Gas | Model No. | EL296UH045XE36B | EL296UH070XE36B | EL296UH090XE48C |
|-------------------------------|--|---|---|---|
| Heating Performance | AHRI Ref. No. | 5625717 | 5625718 | 5625719 |
| | ¹ AFUE | 96% | 96% | 96% |
| High Fire | Input - Btuh | 44,000 | 66,000 | 88,000 |
| | Output - Btuh | 43,000 | 64,000 | 85,000 |
| | Temperature rise range - °F | 30-60 | 35-65 | 40-70 |
| | Gas Manifold Pressure (in. w.g.) Nat. Gas / LPG/Propane | 3.5 / 10.0 | 3.5 / 10.0 | 3.5 / 10.0 |
| Low Fire | Input - Btuh | 29,000 | 43,000 | 57,000 |
| | Output - Btuh | 28,000 | 42,000 | 55,000 |
| | Temperature rise range - °F | 20 - 50 | 25 - 55 | 30 - 60 |
| | Gas Manifold Pressure (in. w.g.) Nat. Gas / LPG/Propane | 1.7 / 4.5 | 1.7 / 4.5 | 1.7 / 4.5 |
| High static - in. w.g. | | 0.5 | 0.5 | 0.5 |
| Connections in. | Intake / Exhaust Pipe (PVC) | 2 / 2 | 2 / 2 | 2 / 2 |
| | Gas pipe size IPS | 1/2 | 1/2 | 1/2 |
| | Condensate Drain Trap (PVC pipe) - i.d. | 3/4 | 3/4 | 3/4 |
| | with furnished 90° street elbow with field supplied (PVC coupling) - o.d. | 3/4 slip x 3/4 Mipt 3/4 slip x 3/4 MPT | 3/4 slip x 3/4 Mipt 3/4 slip x 3/4 MPT | 3/4 slip x 3/4 Mipt 3/4 slip x 3/4 MPT |
| Indoor Blower | Wheel nominal diameter x width - in. | 10 x 8 | 10 x 8 | 10 x 10 |
| | Motor Type | DC Brushless | DC Brushless | DC Brushless |
| | Motor output - hp | 1/2 | 1/2 | 3/4 |
| | Tons of add-on cooling | 1.5 - 3 | 1.5 - 3 | 2.5 - 4 |
| | Air Volume Range - cfm | 520 - 1345 | 550 - 1380 | 760 - 1740 |
| Electrical Data | Voltage | 120 volts - 60 hertz - 1 phase | | |
| | Blower motor full load amps | 6.8 | 6.8 | 8.4 |
| | Maximum overcurrent protection | 15 | 15 | 15 |
| Shipping Data | lbs. - 1 package | 129 | 133 | 159 |

NOTE - Filters and provisions for mounting are not furnished and must be field provided.

¹ Annual Fuel Utilization Efficiency based on DOE test procedures and according to FTC labeling regulations. Isolated combustion system rating for non-weatherized furnaces.

SPECIFICATIONS

| Gas | Model No. | EL296UH110XE60C | EL296UH135XE60D |
|-------------------------------|--|---|---|
| Heating Performance | AHRI Ref. No. | 5625720 | 5625721 |
| | ¹ AFUE | 96% | 96% |
| High Fire | Input - Btuh | 110,000 | 132,000 |
| | Output - Btuh | 106,000 | 127,000 |
| | Temperature rise range - °F | 40-70 | 45-75 |
| | Gas Manifold Pressure (in. w.g.) Nat. Gas / LPG/Propane | 3.5 / 10.0 | 3.5 / 10.0 |
| Low Fire | Input - Btuh | 72,000 | 86,000 |
| | Output - Btuh | 70,000 | 84,000 |
| | Temperature rise range - °F | 30-60 | 35-65 |
| | Gas Manifold Pressure (in. w.g.) Nat. Gas / LPG/Propane | 1.7 / 4.9 | 1.7 / 4.9 |
| High static - in. w.g. | | 0.5 | 0.5 |
| Connections in. | Intake / Exhaust Pipe (PVC) | 2 / 2 | 2 / 2 |
| | Gas pipe size IPS | 1/2 | 1/2 |
| | Condensate Drain Trap (PVC pipe) - i.d. | 3/4 | 3/4 |
| | with furnished 90° street elbow with field supplied (PVC coupling) - o.d. | 3/4 slip x 3/4 Mipt 3/4 slip x 3/4 MPT | 3/4 slip x 3/4 Mipt 3/4 slip x 3/4 MPT |
| Indoor Blower | Wheel nominal diameter x width - in. | 11-1/2 x 10 | 11-1/2 x 10 |
| | Motor Type | DC Brushless | DC Brushless |
| | Motor output - hp | 1 | 1 |
| | Tons of add-on cooling | 3 - 5 | 3.5 - 5 |
| | Air Volume Range - cfm | 1055 - 2220 | 1260 - 2405 |
| Electrical Data | Voltage | 120 volts - 60 hertz - 1 phase | |
| | Blower motor full load amps | 10.9 | 10.9 |
| | Maximum overcurrent protection | 15 | 15 |
| Shipping Data | lbs. - 1 package | 174 | 189 |

NOTE - Filters and provisions for mounting are not furnished and must be field provided.

¹ Annual Fuel Utilization Efficiency based on DOE test procedures and according to FTC labeling regulations. Isolated combustion system rating for non-weatherized furnaces.

OPTIONAL ACCESSORIES - ORDER SEPARATELY

| | | | "B" Width Models | "C" Width Models | "D" Width Models | |
|---|--|----------------------------|------------------|------------------|------------------|-------|
| CABINET ACCESSORIES | | | | | | |
| Horizontal Suspension Kit - Horizontal only | | | 51W10 | 51W10 | 51W10 | |
| Return Air Base - Upflow only | | | 50W98 | 50W99 | 51W00 | |
| High Performance Economizer (Commercial Only) | | | 10U53 | 10U53 | 10U53 | |
| CONDENSATE DRAIN KITS | | | | | | |
| Condensate Drain Heat Cable | 6 ft. | | 26K68 | 26K68 | 26K68 | |
| | 24 ft. | | 26K69 | 26K69 | 26K69 | |
| Crawl Space Vent Drain Kit | US | | 51W18 | 51W18 | 51W18 | |
| | Canada | | 15Z70 | 15Z70 | 15Z70 | |
| CONTROLS | | | | | | |
| Blower Relay Kit (for two-stage outdoor units) | | | 85W66 | 85W66 | 85W66 | |
| Furnace Twinning Panel | | | Y3653 | Y3653 | Y3653 | |
| Furnace Twinning Kit | | | 16W72 | 16W72 | 16W72 | |
| Transformer (75VA) | | | 27J32 | 27J32 | 27J32 | |
| E30 Smart Wi-Fi Thermostat | | | 20A65 | 20A65 | 20A65 | |
| Remote Outdoor Air Temperature Sensor | | | X2658 | X2658 | X2658 | |
| FILTER KITS | | | | | | |
| ¹ Air Filter and Rack Kit | Horizontal (end) | | 87L96 | 87L97 | 87L98 | |
| | | Size of filter - in. | 18 x 25 x 1 | 20 x 25 x 1 | 25 x 25 x 1 | |
| | Side Return | Single | 44J22 | 44J22 | 44J22 | |
| | | Ten Pack | 66K63 | 66K63 | 66K63 | |
| | | Size of filter - in. | 16 x 25 x 1 | 16 x 25 x 1 | 16 x 25 x 1 | |
| TERMINATION KITS | | | | | | |
| See Installation Instructions for specific venting information. | | | | | | |
| Direct Vent | Concentric | US - 2 in. | 71M80 | 69M29 | --- | |
| | | 3 in. | --- | 60L46 | 60L46 | |
| | | Canada - 2 in. | 44W92 | 44W92 | --- | |
| | | 3 in. | --- | 44W93 | 44W93 | |
| | Flush-Mount | US - 2, 2-1/2 or 3 in. | 51W11 | 51W11 | 51W11 | |
| | | Canada - 2, 2-1/2 or 3 in. | 51W12 | 51W12 | 51W12 | |
| | Wall - Close Couple | US - 2 in. | 22G44 | --- | --- | |
| | | 3 in. | 44J40 | 44J40 | 44J40 | |
| | Wall - Close Couple WTK | Canada - 2 in. | 30G28 | --- | --- | |
| | | 3 in. | 81J20 | 81J20 | 81J20 | |
| | Roof Termination Flashing Kit (no vent pipe - 2 flashings) | 2 in. | 15F75 | 15F75 | --- | |
| | | 3 in. | 44J41 | 44J41 | 44J41 | |
| | VENTING | | | | | |
| | Flue Coupling | | 2 in. | 17H92 | 17H92 | 17H92 |

¹ Cleanable polyurethane, frame-type filter.

NOTE - Termination Kits (44W92, 44W93, 30G28, 51W12, 81J20) and Crawl Space Vent Drain Kit (15Z70) are certified to ULC S636 standard for use in Canada only.

GAS HEAT ACCESSORIES

| Input | High Altitude Pressure Switch Kit | | Natural Gas to LPG/Propane Kit | LPG/Propane to Natural Gas Kit | Natural Gas High Altitude Orifice Kit | LPG/Propane High Altitude Orifice Kit | Muffler (US Only) |
|-------|-----------------------------------|-------------------|--------------------------------|--------------------------------|---------------------------------------|---------------------------------------|---|
| | 4501 - 7500 ft. | 7501 - 10,000 ft. | 0 - 7500 ft. | 0 - 7500 ft. | 7501 - 10,000 ft. | 7501 - 10,000 ft. | |
| 045 | 14A47 | 14A50 | 11K51 | 77W09 | 73W37 | 11K46 | 15Y66 (2-inch) |
| 070 | 14A54 | 14A53 | 11K51 | 77W09 | 73W37 | 11K46 | 15Y66 (2-inch) |
| 090 | 14A57 | 14A54 | 11K51 | 77W09 | 73W37 | 11K46 | 15Y66 (2-inch) |
| 110 | 14A46 | 14A51 | 11K51 | 77W09 | 73W37 | 11K46 | ¹ 15Y66 (2-inch) 16A56 (3-inch) |
| 135 | 14A49 | 14A51 | 11K51 | 77W09 | 73W37 | 11K46 | 16A56 (3-inch) |

¹ Two-inch diameter muffler (15Y66) is optional for 110 input model with a maximum vent pipe length of up to 29 ft.
Three-inch diameter muffler (16A56) is optional for 110 input model with a minimum vent pipe length of 30 ft.

REFRIGERANT DETECTION SYSTEM (RDS) COMPONENTS

| Description | Order No. | |
|---|---|-------|
| Refrigerant Detection System (RDS) Coil Sensor Kit | 26Z69 | |
| Refrigerant Detection System (RDS) Blower Control Board | Any Lennox® Communicating Furnace <u>or</u> any Non-Communicating 24V Furnace (Universal) | 27A03 |
| | Any Non-Communicating 24V Furnace | 27A02 |

NOTE - Communicating Blower Control Board and Sensor can be used universally with Lennox® communicating furnace or any non-communicating 24 volt furnace.
Non-Communicating Blower Control Board and Sensor can be used with any non-communicating 24 volt furnace.

HIGH ALTITUDE DERATE

NOTE - Units may be installed at altitudes up to 10,000 ft.
At altitudes above 4501 ft. the unit must be derated to match the manifold pressure information shown below.
Units installed at altitudes of 4501 to 10,000 ft. require a pressure switch change.
Units installed at altitudes of 7501 to 10,000 ft. require an orifice change.
See the Gas Heat Accessories table for ordering information.

NOTE - This is the only permissible derate for these units.

NOTE - In Canada, certification for installations at elevations over 4500 feet is the jurisdiction of local authorities.

| Input | Gas | Manifold Pressure in. w.g. | | | | | | | | | | Supply Line Pressure in. w.g. 0 - 10,000 ft. | |
|-----------|-------------|----------------------------|-----------|-----------------|-----------|-----------------|-----------|-----------------|-----------|-------------------|-----------|--|------|
| | | 0 - 4500 ft. | | 4501 - 5500 ft. | | 5501 - 6500 ft. | | 6501 - 7500 ft. | | 7501 - 10,000 ft. | | Min. | Max. |
| | | Low Fire | High Fire | Low Fire | High Fire | Low Fire | High Fire | Low Fire | High Fire | Low Fire | High Fire | | |
| All Sizes | Natural | 1.7 | 3.5 | 1.6 | 3.3 | 1.5 | 3.2 | 1.5 | 3.1 | 1.7 | 3.5 | 4.5 | 13.0 |
| | LPG/Propane | 4.5 | 10.0 | 4.2 | 9.4 | 4.0 | 9.1 | 3.9 | 8.9 | 4.5 | 10.0 | 11.0 | 13.0 |

OUTDOOR TERMINATION KIT USAGE

| Input Size | Vent Pipe Diameter (in.) | Standard Terminations | | | | Concentric Terminations | | |
|------------|--------------------------|-----------------------|--|--|--|--|--|--|
| | | Flush Mount Kit | Wall Kit | | Field Fabricated Exhaust Accelerator Size Required | Concentric Kit | | |
| | | | 2 inch | 3 inch | | 1-1/2 inch | 2 inch | 3 inch |
| | | | ⁵ 51W11 (US) ⁵ 51W12 (CA) | ⁵ 22G44 (US) ⁵ 30G28 (CA) | | ⁵ 44J40 (US) ⁵ 81J20 (CA) | ⁵ 71M80 (US) ⁵ 44W92 (CA) | ⁵ 69M29 (US) ⁵ 44W92 (CA) |
| 045 | ¹ 1-1/2 | ⁴ YES | YES | ² YES | 1-1/2 in. | ³ YES | --- | --- |
| | 2 | ⁴ YES | YES | ² YES | 1-1/2 in. | ³ YES | --- | --- |
| | 2-1/2 | ⁴ YES | YES | ² YES | 1-1/2 in. | ³ YES | --- | --- |
| | 3 | ⁴ YES | YES | ² YES | 1-1/2 in. | ³ YES | --- | --- |
| 070 | ¹ 1-1/2 | ⁴ YES | YES | ² YES | 1-1/2 in. | ³ YES | --- | --- |
| | 2 | ⁴ YES | YES | ² YES | 1-1/2 in. | ³ YES | --- | --- |
| | 2-1/2 | ⁴ YES | YES | ² YES | 1-1/2 in. | ³ YES | --- | --- |
| | 3 | ⁴ YES | YES | ² YES | 1-1/2 in. | ³ YES | --- | --- |
| 090 | 2 | ⁴ YES | --- | YES | 2 in. | --- | YES | YES |
| | 2-1/2 | ⁴ YES | --- | YES | 2 in. | --- | YES | YES |
| | 3 | ⁴ YES | --- | YES | 2 in. | --- | YES | YES |
| 110 | 2 | YES | --- | YES | 2 in. | --- | YES | YES |
| | 2-1/2 | YES | --- | YES | 2 in. | --- | YES | YES |
| | 3 | YES | --- | YES | 2 in. | --- | YES | YES |
| 135 | 3 | YES | --- | YES | 2 in. | --- | --- | YES |

NOTE - Standard Terminations do not include any vent pipe or elbows external to the structure.

Any vent pipe or elbows external to the structure must be included in total vent length calculations. See Vent Length Tables.

¹ 2 inch to 1-1/2 inch reducer required, must be field provided.

² Requires field provided 1-1/2 in. outdoor exhaust accelerator.

³ Concentric Kits **71M80** and **44W92** include 1-1/2 in. outdoor exhaust accelerator, required when used with 045 and 070 input models. Accelerator is not used with 090, 110, 135 input models. When using 1-1/2 in. piping, the pipe must be transitioned to 2 in. pipe when used with the Concentric Kit.

⁴ Flush Mount Kit **51W11** and **51W12** includes 1-1/2 in. outdoor exhaust accelerator, required when used with 045, 070 and 090 input models. Accelerator is not used with 110 or 135 input models. When using 1-1/2 in. piping, the pipe must be transitioned to 2 in. pipe when used with the Flush Mount Kit.

⁵ Termination Kits **30G28**, **44W92**, **44W93**, **51W12** and **81J20** are certified to ULC S636 standard for use in Canada only.

VENT LENGTHS - UNINSULATED EXHAUST PIPE IN UNCONDITIONED SPACE

| ¹ Winter Design Temperatures | Vent Pipe Diameter | Unit Input Size | | | | | | | | | |
|---|--------------------|--|------------------|-----|------------------|-----|------------------|-----|------------------|-----|------------------|
| | | 045 | | 070 | | 090 | | 110 | | 135 | |
| | | ² Maximum Uninsulated Exhaust Vent Length (ft.) | | | | | | | | | |
| | | PVC | PolyPro InnoFlue | PVC | PolyPro InnoFlue | PVC | PolyPro InnoFlue | PVC | PolyPro InnoFlue | PVC | PolyPro InnoFlue |
| 32 to 21°F | 1-1/2 in. | 22 | N/A | 25 | N/A | N/A | N/A | N/A | N/A | N/A | N/A |
| | 2 in. | 21 | 18 | 33 | 30 | 46 | 42 | 30 | 30 | N/A | N/A |
| | 2-1/2 in. | 16 | N/A | 26 | N/A | 37 | N/A | 36 | N/A | N/A | N/A |
| | 3 in. | 12 | 12 | 21 | 21 | 30 | 30 | 29 | 29 | 42 | 42 |
| 20 to 1°F | 1-1/2 in. | 12 | N/A | 20 | N/A | N/A | N/A | N/A | N/A | N/A | N/A |
| | 2 in. | 11 | 9 | 19 | 17 | 28 | 25 | 27 | 24 | N/A | N/A |
| | 2-1/2 in. | 7 | N/A | 14 | N/A | 21 | N/A | 20 | N/A | N/A | N/A |
| | 3 in. | N/A | N/A | 9 | 9 | 16 | 16 | 14 | 14 | 23 | 23 |
| 0 to -20°F | 1-1/2 in. | 8 | N/A | 13 | N/A | N/A | N/A | N/A | N/A | N/A | N/A |
| | 2 in. | 6 | 4 | 12 | 10 | 19 | 16 | 18 | 15 | N/A | N/A |
| | 2-1/2 in. | N/A | N/A | 7 | N/A | 13 | N/A | 12 | N/A | N/A | N/A |
| | 3 in. | N/A | N/A | N/A | N/A | 8 | 8 | 7 | 7 | 13 | 13 |

¹ Refer to 99% Minimum Design Temperature table provided in the current edition of the ASHRAE Handbook-Fundamentals.

² Maximum Equivalent Vent Length permitted is defined as Total Length (linear feet) of vent pipe, plus equivalent length (ft.) of fittings, plus equivalent length (ft.) of termination.

VENTING NOTES - Concentric Terminations are equivalent to 5 ft. of straight pipe and should be included when measuring total pipe length.

One 90° elbow is equivalent to 5 feet of straight vent pipe.

Two 45° elbows are equal to one 90° elbow.

One 45° elbow is equivalent to 2.5 feet of straight vent pipe.

PolyPro® poly-propylene vent pipe is a registered trademark of DuraVent®.

Innoflue® is a registered trademark of Centrotherm Eco Systems.

VENT LENGTHS

STANDARD TERMINATION AT ELEVATION 0 - 4500 ft.

| Pipe Size | 1-1/2 in. | | | | | 2 in. | | | | | 2-1/2 in. | | | | | 3 in. | | | | | |
|------------------|-----------|-----|-----|-----|-----|-------|-----|-----|-----|-----|-----------|-----|-----|-----|-----|-------|-----|-----|-----|-----|-----|
| | Input | 045 | 070 | 090 | 110 | 135 | 045 | 070 | 090 | 110 | 135 | 045 | 070 | 090 | 110 | 135 | 045 | 070 | 090 | 110 | 135 |
| No. of 90 ELL | 1 | 25 | 20 | N/A | N/A | N/A | 81 | 66 | 44 | 24 | N/A | 115 | 115 | 93 | 58 | N/A | 138 | 137 | 118 | 118 | 114 |
| | 2 | 20 | 15 | N/A | N/A | N/A | 76 | 61 | 39 | 19 | N/A | 110 | 110 | 88 | 53 | N/A | 133 | 132 | 113 | 113 | 109 |
| | 3 | 15 | 10 | N/A | N/A | N/A | 71 | 56 | 34 | 14 | N/A | 105 | 105 | 83 | 48 | N/A | 128 | 127 | 108 | 108 | 104 |
| | 4 | 10 | N/A | N/A | N/A | N/A | 66 | 51 | 29 | N/A | N/A | 100 | 100 | 78 | 43 | N/A | 123 | 122 | 103 | 103 | 99 |
| | 5 | N/A | N/A | N/A | N/A | N/A | 61 | 46 | 24 | N/A | N/A | 95 | 95 | 73 | 38 | N/A | 118 | 117 | 98 | 98 | 94 |
| | 6 | N/A | N/A | N/A | N/A | N/A | 56 | 41 | 19 | N/A | N/A | 90 | 90 | 68 | 33 | N/A | 113 | 112 | 93 | 93 | 89 |
| | 7 | N/A | N/A | N/A | N/A | N/A | 51 | 36 | 14 | N/A | N/A | 85 | 85 | 63 | 28 | N/A | 108 | 107 | 88 | 88 | 84 |
| | 8 | N/A | N/A | N/A | N/A | N/A | 46 | 31 | N/A | N/A | N/A | 80 | 80 | 58 | 23 | N/A | 103 | 102 | 83 | 83 | 79 |
| | 9 | N/A | N/A | N/A | N/A | N/A | 41 | 26 | N/A | N/A | N/A | 75 | 75 | 53 | 18 | N/A | 98 | 97 | 78 | 78 | 74 |
| | 10 | N/A | N/A | N/A | N/A | N/A | 36 | 21 | N/A | N/A | N/A | 70 | 70 | 48 | 13 | N/A | 93 | 92 | 73 | 73 | 69 |

STANDARD TERMINATION AT ELEVATION 4501 - 10,000 ft.

| Pipe Size | 1-1/2 in. | | | | | 2 in. | | | | | 2-1/2 in. | | | | | 3 in. | | | | | |
|------------------|-----------|-----|-----|-----|-----|-------|-----|-----|-----|-----|-----------|-----|-----|-----|-----|-------|-----|-----|-----|-----|-----|
| | Input | 045 | 070 | 090 | 110 | 135 | 045 | 070 | 090 | 110 | 135 | 045 | 070 | 090 | 110 | 135 | 045 | 070 | 090 | 110 | 135 |
| No. of 90 ELL | 1 | 25 | 20 | N/A | N/A | N/A | 81 | 66 | 44 | N/A | N/A | 115 | 115 | 93 | 58 | N/A | 138 | 137 | 118 | 118 | 114 |
| | 2 | 20 | 15 | N/A | N/A | N/A | 76 | 61 | 39 | N/A | N/A | 110 | 110 | 88 | 53 | N/A | 133 | 132 | 113 | 113 | 109 |
| | 3 | 15 | 10 | N/A | N/A | N/A | 71 | 56 | 34 | N/A | N/A | 105 | 105 | 83 | 48 | N/A | 128 | 127 | 108 | 108 | 104 |
| | 4 | 10 | N/A | N/A | N/A | N/A | 66 | 51 | 29 | N/A | N/A | 100 | 100 | 78 | 43 | N/A | 123 | 122 | 103 | 103 | 99 |
| | 5 | N/A | N/A | N/A | N/A | N/A | 61 | 46 | 24 | N/A | N/A | 95 | 95 | 73 | 38 | N/A | 118 | 117 | 98 | 98 | 94 |
| | 6 | N/A | N/A | N/A | N/A | N/A | 56 | 41 | 19 | N/A | N/A | 90 | 90 | 68 | 33 | N/A | 113 | 112 | 93 | 93 | 89 |
| | 7 | N/A | N/A | N/A | N/A | N/A | 51 | 36 | 14 | N/A | N/A | 85 | 85 | 63 | 28 | N/A | 108 | 107 | 88 | 88 | 84 |
| | 8 | N/A | N/A | N/A | N/A | N/A | 46 | 31 | N/A | N/A | N/A | 80 | 80 | 58 | 23 | N/A | 103 | 102 | 83 | 83 | 79 |
| | 9 | N/A | N/A | N/A | N/A | N/A | 41 | 26 | N/A | N/A | N/A | 75 | 75 | 53 | 18 | N/A | 98 | 97 | 78 | 78 | 74 |
| | 10 | N/A | N/A | N/A | N/A | N/A | 36 | 21 | N/A | N/A | N/A | 70 | 70 | 48 | 13 | N/A | 93 | 92 | 73 | 73 | 69 |

CONCENTRIC TERMINATION AT ELEVATION 0 - 4500 ft.

| Pipe Size | 1-1/2 in. | | | | | 2 in. | | | | | 2-1/2 in. | | | | | 3 in. | | | | | |
|------------------|-----------|-----|-----|-----|-----|-------|-----|-----|-----|-----|-----------|-----|-----|-----|-----|-------|-----|-----|-----|-----|-----|
| | Input | 045 | 070 | 090 | 110 | 135 | 045 | 070 | 090 | 110 | 135 | 045 | 070 | 090 | 110 | 135 | 045 | 070 | 090 | 110 | 135 |
| No. of 90 ELL | 1 | 20 | 15 | N/A | N/A | N/A | 73 | 58 | 42 | 22 | N/A | 105 | 105 | 89 | 54 | N/A | 121 | 121 | 114 | 114 | 105 |
| | 2 | 15 | 10 | N/A | N/A | N/A | 68 | 53 | 37 | 17 | N/A | 100 | 100 | 84 | 49 | N/A | 116 | 116 | 109 | 109 | 100 |
| | 3 | 10 | N/A | N/A | N/A | N/A | 63 | 48 | 32 | 12 | N/A | 95 | 95 | 79 | 44 | N/A | 111 | 111 | 104 | 104 | 95 |
| | 4 | N/A | N/A | N/A | N/A | N/A | 58 | 43 | 27 | N/A | N/A | 90 | 90 | 74 | 39 | N/A | 106 | 106 | 99 | 99 | 90 |
| | 5 | N/A | N/A | N/A | N/A | N/A | 53 | 38 | 22 | N/A | N/A | 85 | 85 | 69 | 34 | N/A | 101 | 101 | 94 | 94 | 85 |
| | 6 | N/A | N/A | N/A | N/A | N/A | 48 | 33 | 17 | N/A | N/A | 80 | 80 | 64 | 29 | N/A | 96 | 96 | 89 | 89 | 80 |
| | 7 | N/A | N/A | N/A | N/A | N/A | 43 | 28 | 12 | N/A | N/A | 75 | 75 | 59 | 24 | N/A | 91 | 91 | 84 | 84 | 75 |
| | 8 | N/A | N/A | N/A | N/A | N/A | 38 | 23 | N/A | N/A | N/A | 70 | 70 | 54 | 19 | N/A | 86 | 86 | 79 | 79 | 70 |
| | 9 | N/A | N/A | N/A | N/A | N/A | 33 | 18 | N/A | N/A | N/A | 65 | 65 | 49 | 14 | N/A | 81 | 81 | 74 | 74 | 65 |
| | 10 | N/A | N/A | N/A | N/A | N/A | 28 | 13 | N/A | N/A | N/A | 60 | 60 | 44 | N/A | N/A | 76 | 76 | 69 | 69 | 60 |

CONCENTRIC TERMINATION AT ELEVATION 4501 - 10,000 ft.

| Pipe Size | 1-1/2 in. | | | | | 2 in. | | | | | 2-1/2 in. | | | | | 3 in. | | | | | |
|------------------|-----------|-----|-----|-----|-----|-------|-----|-----|-----|-----|-----------|-----|-----|-----|-----|-------|-----|-----|-----|-----|-----|
| | Input | 045 | 070 | 090 | 110 | 135 | 045 | 070 | 090 | 110 | 135 | 045 | 070 | 090 | 110 | 135 | 045 | 070 | 090 | 110 | 135 |
| No. of 90 ELL | 1 | 20 | 15 | N/A | N/A | N/A | 73 | 58 | 42 | N/A | N/A | 105 | 105 | 89 | 54 | N/A | 121 | 121 | 114 | 114 | 105 |
| | 2 | 15 | 10 | N/A | N/A | N/A | 68 | 53 | 37 | N/A | N/A | 100 | 100 | 84 | 49 | N/A | 116 | 116 | 109 | 109 | 100 |
| | 3 | 10 | N/A | N/A | N/A | N/A | 63 | 48 | 32 | N/A | N/A | 95 | 95 | 79 | 44 | N/A | 111 | 111 | 104 | 104 | 95 |
| | 4 | N/A | N/A | N/A | N/A | N/A | 58 | 43 | 27 | N/A | N/A | 90 | 90 | 74 | 39 | N/A | 106 | 106 | 99 | 99 | 90 |
| | 5 | N/A | N/A | N/A | N/A | N/A | 53 | 38 | 22 | N/A | N/A | 85 | 85 | 69 | 34 | N/A | 101 | 101 | 94 | 94 | 85 |
| | 6 | N/A | N/A | N/A | N/A | N/A | 48 | 33 | 17 | N/A | N/A | 80 | 80 | 64 | 29 | N/A | 96 | 96 | 89 | 89 | 80 |
| | 7 | N/A | N/A | N/A | N/A | N/A | 43 | 28 | 12 | N/A | N/A | 75 | 75 | 59 | 24 | N/A | 91 | 91 | 84 | 84 | 75 |
| | 8 | N/A | N/A | N/A | N/A | N/A | 38 | 23 | N/A | N/A | N/A | 70 | 70 | 54 | 19 | N/A | 86 | 86 | 79 | 79 | 70 |
| | 9 | N/A | N/A | N/A | N/A | N/A | 33 | 18 | N/A | N/A | N/A | 65 | 65 | 49 | 14 | N/A | 81 | 81 | 74 | 74 | 65 |
| | 10 | N/A | N/A | N/A | N/A | N/A | 28 | 13 | N/A | N/A | N/A | 60 | 60 | 44 | N/A | N/A | 76 | 76 | 69 | 69 | 60 |

VENT LENGTHS (EXHAUST) - VENTILATED ATTIC OR CRAWLSPACE INTAKE AIR

STANDARD TERMINATION AT ELEVATION 0 - 4500 ft.

| | Pipe Size Input | 1-1/2 in. | | | | | 2 in. | | | | | 2-1/2 in. | | | | | 3 in. | | | | |
|--------------------------|--------------------|-----------|-----|-----|-----|-----|-------|-----|-----|-----|-----|-----------|-----|-----|-----|-----|-------|-----|-----|-----|-----|
| | | 045 | 070 | 090 | 110 | 135 | 045 | 070 | 090 | 110 | 135 | 045 | 070 | 090 | 110 | 135 | 045 | 070 | 090 | 110 | 135 |
| No. of 90 ELL | 1 | 20 | 15 | N/A | N/A | N/A | 71 | 56 | 34 | 14 | N/A | 100 | 100 | 78 | 43 | N/A | 118 | 117 | 98 | 98 | 94 |
| | 2 | 15 | 10 | N/A | N/A | N/A | 66 | 51 | 29 | 9 | N/A | 95 | 95 | 73 | 38 | N/A | 113 | 112 | 93 | 93 | 89 |
| | 3 | 10 | N/A | N/A | N/A | N/A | 61 | 46 | 24 | 4 | N/A | 90 | 90 | 68 | 33 | N/A | 108 | 107 | 88 | 88 | 84 |
| | 4 | N/A | N/A | N/A | N/A | N/A | 56 | 41 | 19 | N/A | N/A | 85 | 85 | 63 | 28 | N/A | 103 | 102 | 83 | 83 | 79 |
| | 5 | N/A | N/A | N/A | N/A | N/A | 51 | 36 | 14 | N/A | N/A | 80 | 80 | 58 | 23 | N/A | 98 | 97 | 78 | 78 | 74 |
| | 6 | N/A | N/A | N/A | N/A | N/A | 46 | 31 | 9 | N/A | N/A | 85 | 75 | 63 | 18 | N/A | 93 | 92 | 73 | 73 | 69 |
| | 7 | N/A | N/A | N/A | N/A | N/A | 41 | 26 | 4 | N/A | N/A | 70 | 70 | 48 | 13 | N/A | 88 | 87 | 68 | 68 | 64 |
| | 8 | N/A | N/A | N/A | N/A | N/A | 36 | 21 | N/A | N/A | N/A | 65 | 65 | 43 | 8 | N/A | 83 | 82 | 63 | 63 | 59 |
| | 9 | N/A | N/A | N/A | N/A | N/A | 31 | 16 | N/A | N/A | N/A | 60 | 60 | 38 | 3 | N/A | 78 | 77 | 58 | 58 | 54 |
| | 10 | N/A | N/A | N/A | N/A | N/A | 26 | 11 | N/A | N/A | N/A | 55 | 55 | 33 | N/A | N/A | 73 | 72 | 53 | 53 | 49 |

STANDARD TERMINATION ELEVATION 4501 - 10,000 ft.

| | Pipe Size Input | 1-1/2 in. | | | | | 2 in. | | | | | 2-1/2 in. | | | | | 3 in. | | | | |
|--------------------------|--------------------|-----------|-----|-----|-----|-----|-------|-----|-----|-----|-----|-----------|-----|-----|-----|-----|-------|-----|-----|-----|-----|
| | | 045 | 070 | 090 | 110 | 135 | 045 | 070 | 090 | 110 | 135 | 045 | 070 | 090 | 110 | 135 | 045 | 070 | 090 | 110 | 135 |
| No. of 90 ELL | 1 | 20 | 15 | N/A | N/A | N/A | 71 | 56 | 34 | N/A | N/A | 100 | 100 | 78 | 43 | N/A | 118 | 117 | 98 | 98 | 94 |
| | 2 | 15 | 10 | N/A | N/A | N/A | 66 | 51 | 29 | N/A | N/A | 95 | 95 | 73 | 38 | N/A | 113 | 112 | 93 | 93 | 89 |
| | 3 | 10 | N/A | N/A | N/A | N/A | 61 | 46 | 24 | N/A | N/A | 90 | 90 | 68 | 33 | N/A | 118 | 107 | 88 | 88 | 84 |
| | 4 | N/A | N/A | N/A | N/A | N/A | 56 | 41 | 19 | N/A | N/A | 85 | 85 | 63 | 28 | N/A | 113 | 102 | 83 | 83 | 79 |
| | 5 | N/A | N/A | N/A | N/A | N/A | 51 | 36 | 14 | N/A | N/A | 80 | 80 | 58 | 23 | N/A | 98 | 97 | 78 | 78 | 74 |
| | 6 | N/A | N/A | N/A | N/A | N/A | 46 | 31 | 9 | N/A | N/A | 85 | 85 | 53 | 18 | N/A | 93 | 92 | 73 | 73 | 69 |
| | 7 | N/A | N/A | N/A | N/A | N/A | 41 | 26 | 4 | N/A | N/A | 70 | 70 | 48 | 13 | N/A | 98 | 87 | 68 | 68 | 64 |
| | 8 | N/A | N/A | N/A | N/A | N/A | 36 | 21 | N/A | N/A | N/A | 65 | 65 | 43 | 8 | N/A | 93 | 82 | 63 | 63 | 59 |
| | 9 | N/A | N/A | N/A | N/A | N/A | 31 | 16 | N/A | N/A | N/A | 60 | 60 | 38 | 3 | N/A | 78 | 77 | 58 | 58 | 54 |
| | 10 | N/A | N/A | N/A | N/A | N/A | 26 | 11 | N/A | N/A | N/A | 55 | 55 | 33 | N/A | N/A | 73 | 72 | 53 | 53 | 49 |

INSTALLATION CLEARANCES

| | |
|------------------------|------------------------------|
| Sides | ¹ 0 inches (0 mm) |
| Rear | 0 inches (0 mm) |
| Top/Plenum | 1 inch (25 mm) |
| Front | 0 inches (0 mm) |
| Front (service/alcove) | 24 inches (610 mm) |
| Floor | ² Combustible |

NOTE – Air for combustion must conform to the methods outlined in the National Fuel Gas Code (NFPA 54/ANSI-Z223.1) or the National Standard of Canada CAN/CSA-B149.1 Natural Gas and Propane Installation Code”.

NOTE – In the U.S. flue sizing must conform to the methods outlined in the current National Fuel Gas Code (NFPA 54/ANSI-Z223.1) or applicable provisions of local building codes. In Canada flue sizing must conform to the methods outlined in National Standard of Canada CAN/CSA-B149.1.

¹ Allow proper clearances to accommodate condensate trap and vent pipe installation.

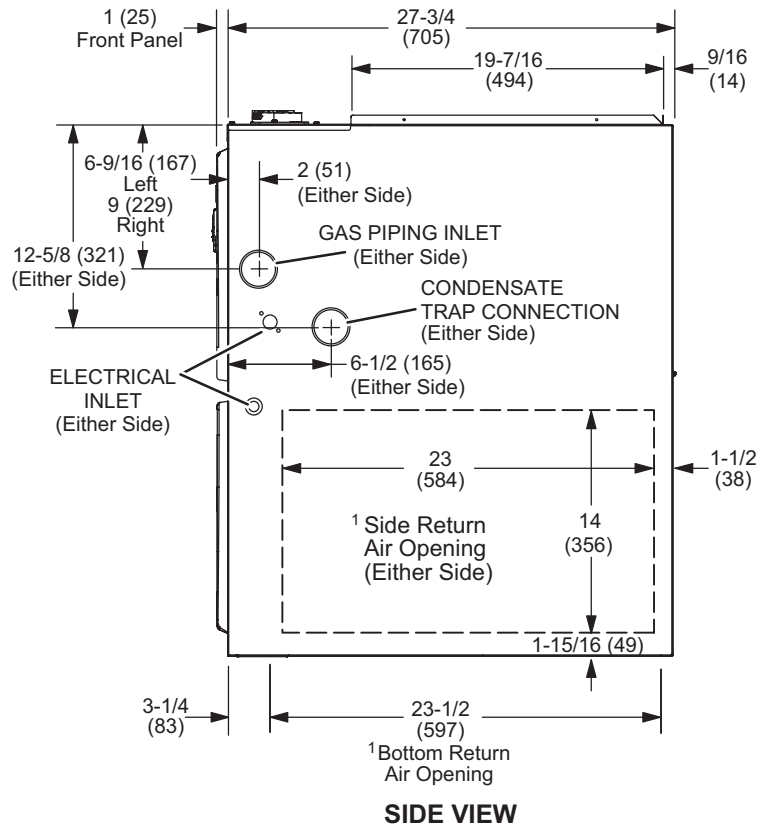
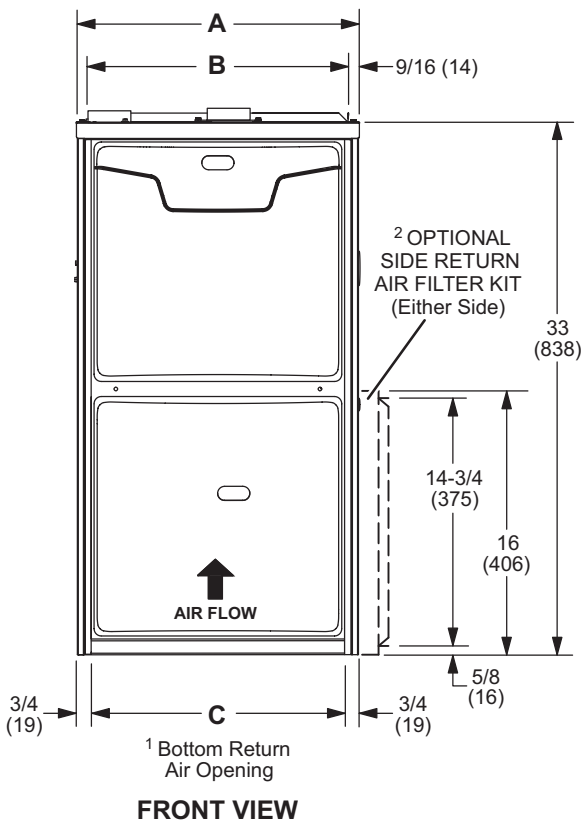
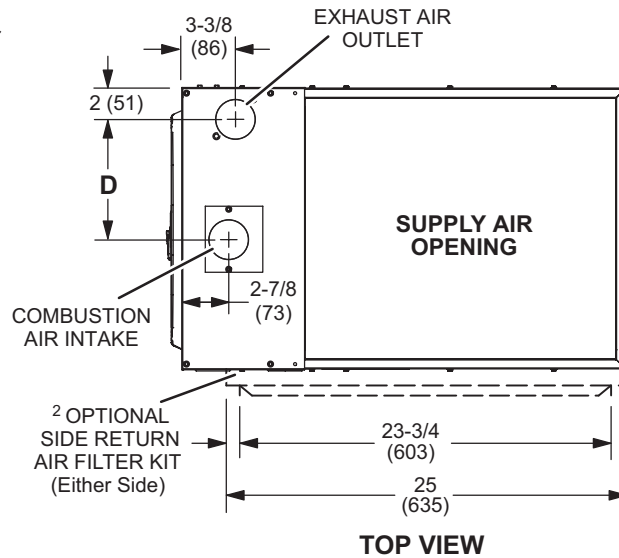
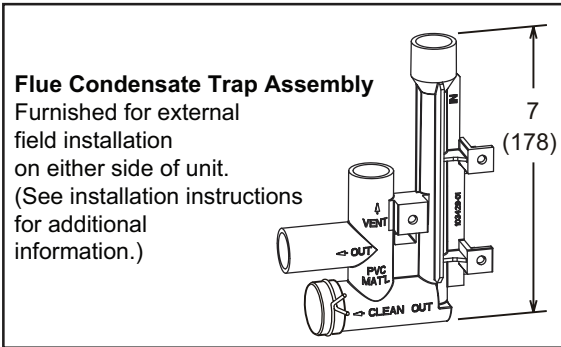
² Do not install the furnace directly on carpeting, tile, or other combustible materials other than wood flooring.

DIMENSIONS

UNIT - UPFLOW POSITION

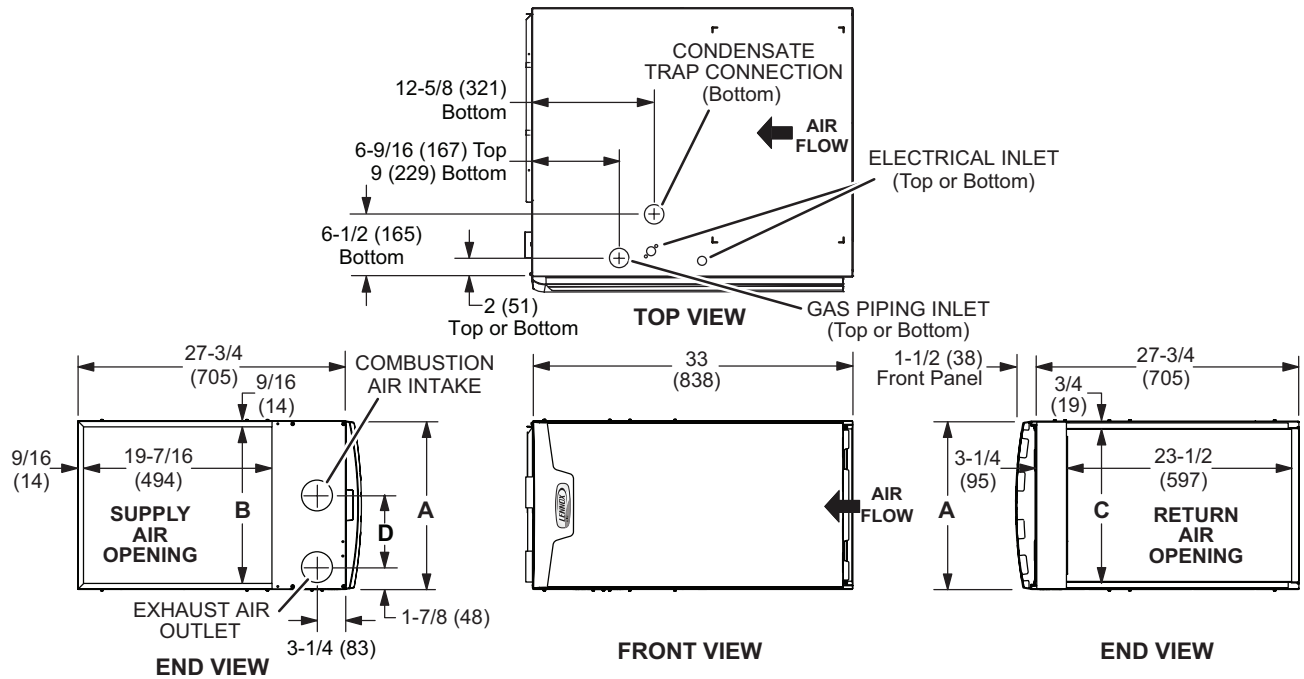
- ¹ NOTE - 60C and 60D size units that require air volumes over 1800 cfm must have one of the following:
1. Single side return air and Optional Return Air Base with transition that must accommodate required 20 x 25 x 1 inch (508 x 635 x 25 mm) air filter to maintain proper velocity.
 2. Bottom return air.
 3. Return air from both sides.
 4. Bottom and one side return air.
- See Blower Performance Tables for additional information.

² Optional Side Return Air Filter Kit is not for use with the Optional Return Air Base.

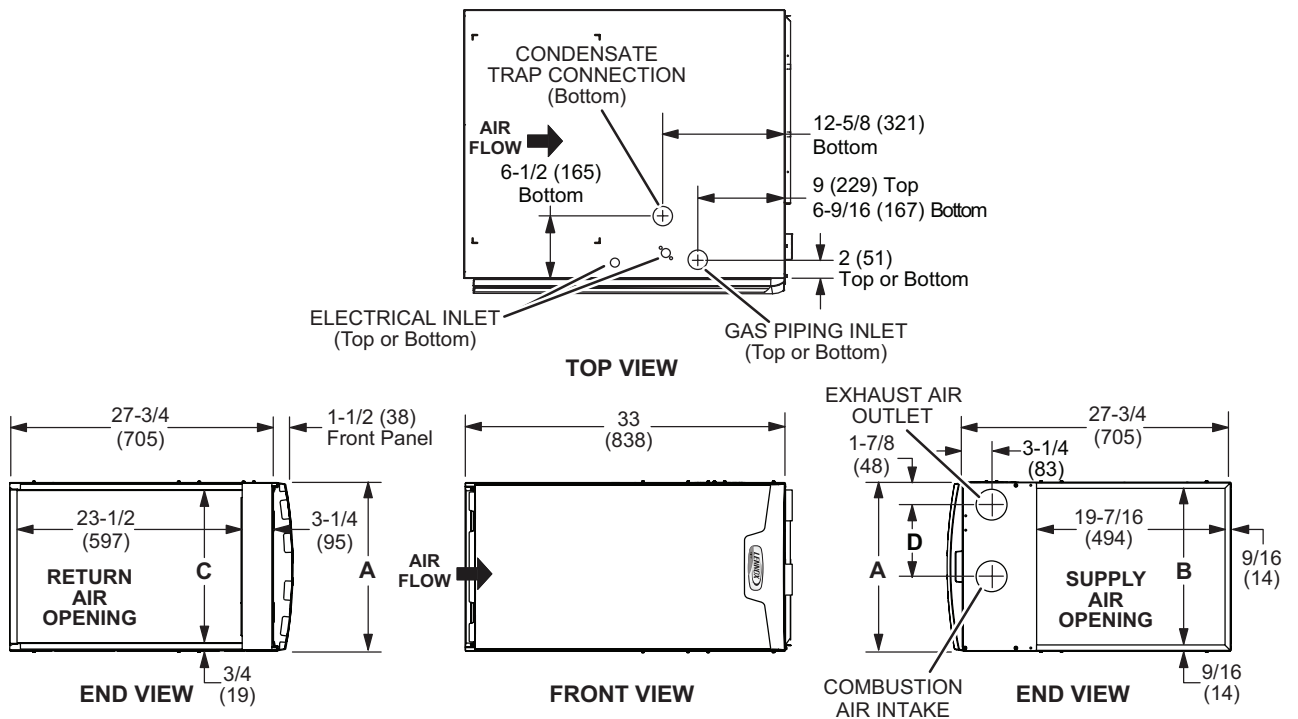


| Model No. | A | | B | | C | | D | |
|------------------------------------|--------|-----|--------|-----|--------|-----|--------|-----|
| | in. | mm | in. | mm | in. | mm | in. | mm |
| EL296UH045XE36B EL296UH070XE36B | 17-1/2 | 446 | 16-3/8 | 416 | 16 | 406 | 7-5/8 | 194 |
| EL296UH090XE48C EL296UH110XE60C | 21 | 533 | 19-7/8 | 505 | 19-1/2 | 495 | 9-3/8 | 238 |
| EL296UH135XE60D | 24-1/2 | 622 | 23-3/8 | 594 | 23 | 584 | 11-1/8 | 283 |

LEFT-HAND AIR DISCHARGE

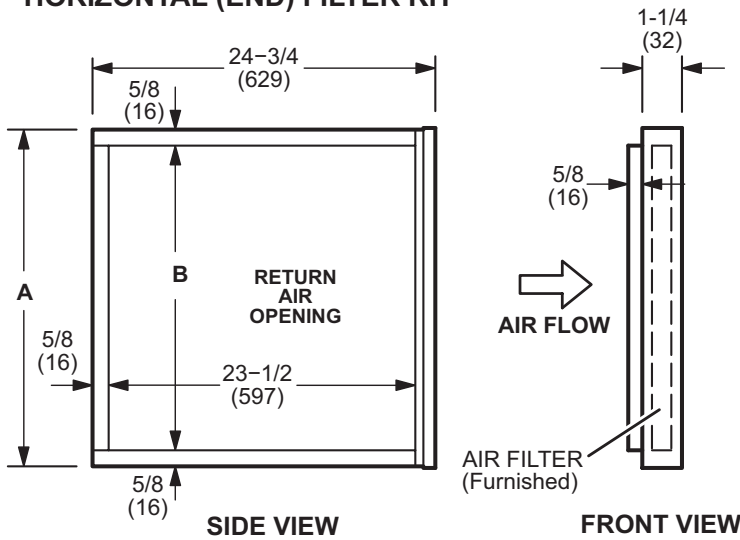


RIGHT-HAND AIR DISCHARGE



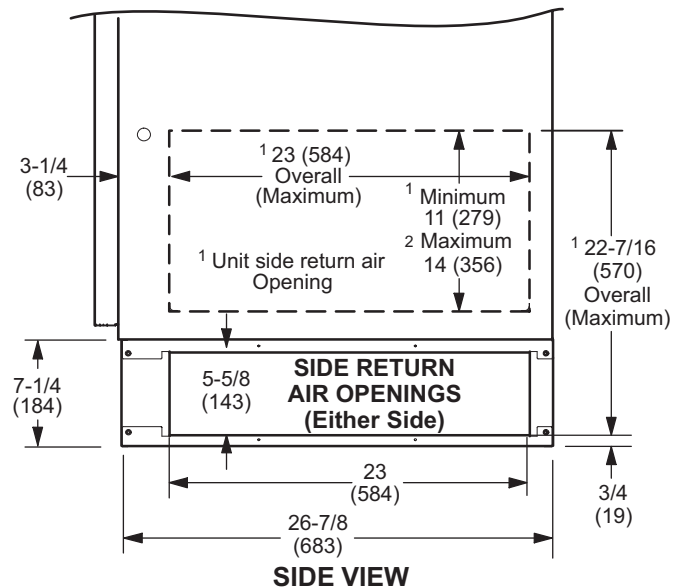
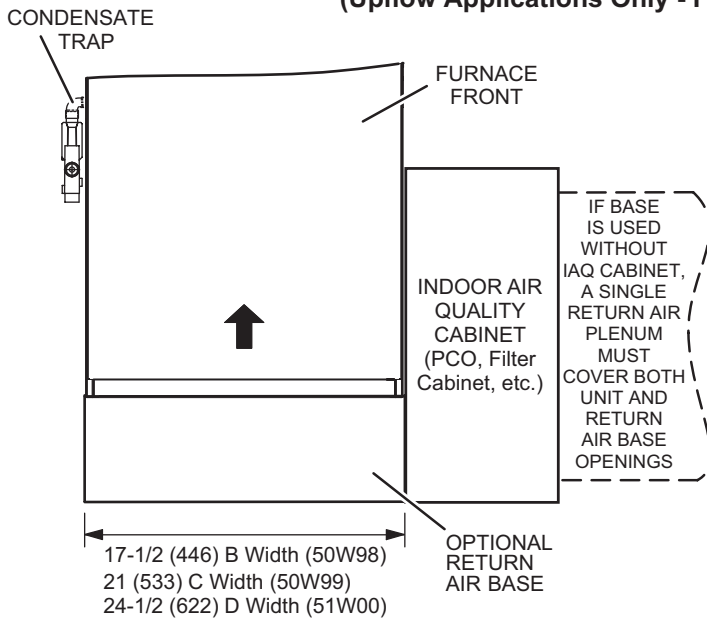
| Model No. | A | | B | | C | | D | |
|------------------------------------|--------|-----|--------|-----|--------|-----|--------|-----|
| | in. | mm | in. | mm | in. | mm | in. | mm |
| EL296UH045XE36B EL296UH070XE36B | 17-1/2 | 446 | 16-3/8 | 416 | 16 | 406 | 7-5/8 | 194 |
| EL296UH090XE48C EL296UH110XE60C | 21 | 533 | 19-7/8 | 505 | 19-1/2 | 495 | 9-3/8 | 238 |
| EL296UH135XE60D | 24-1/2 | 622 | 23-3/8 | 594 | 23 | 584 | 11-1/8 | 283 |

HORIZONTAL (END) FILTER KIT



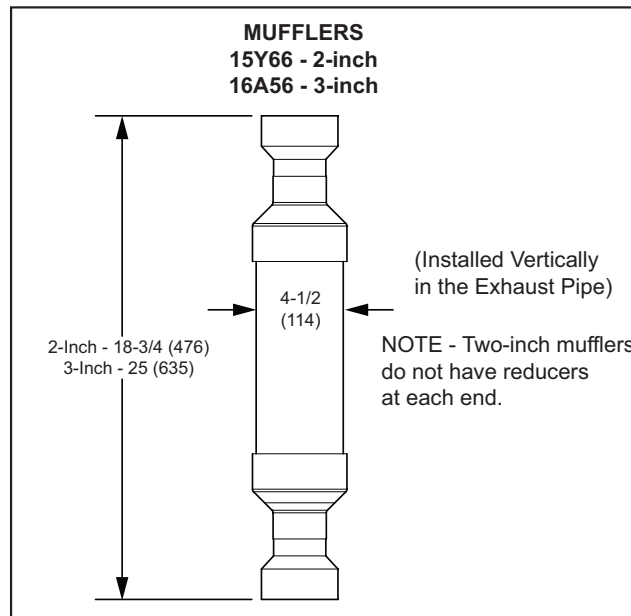
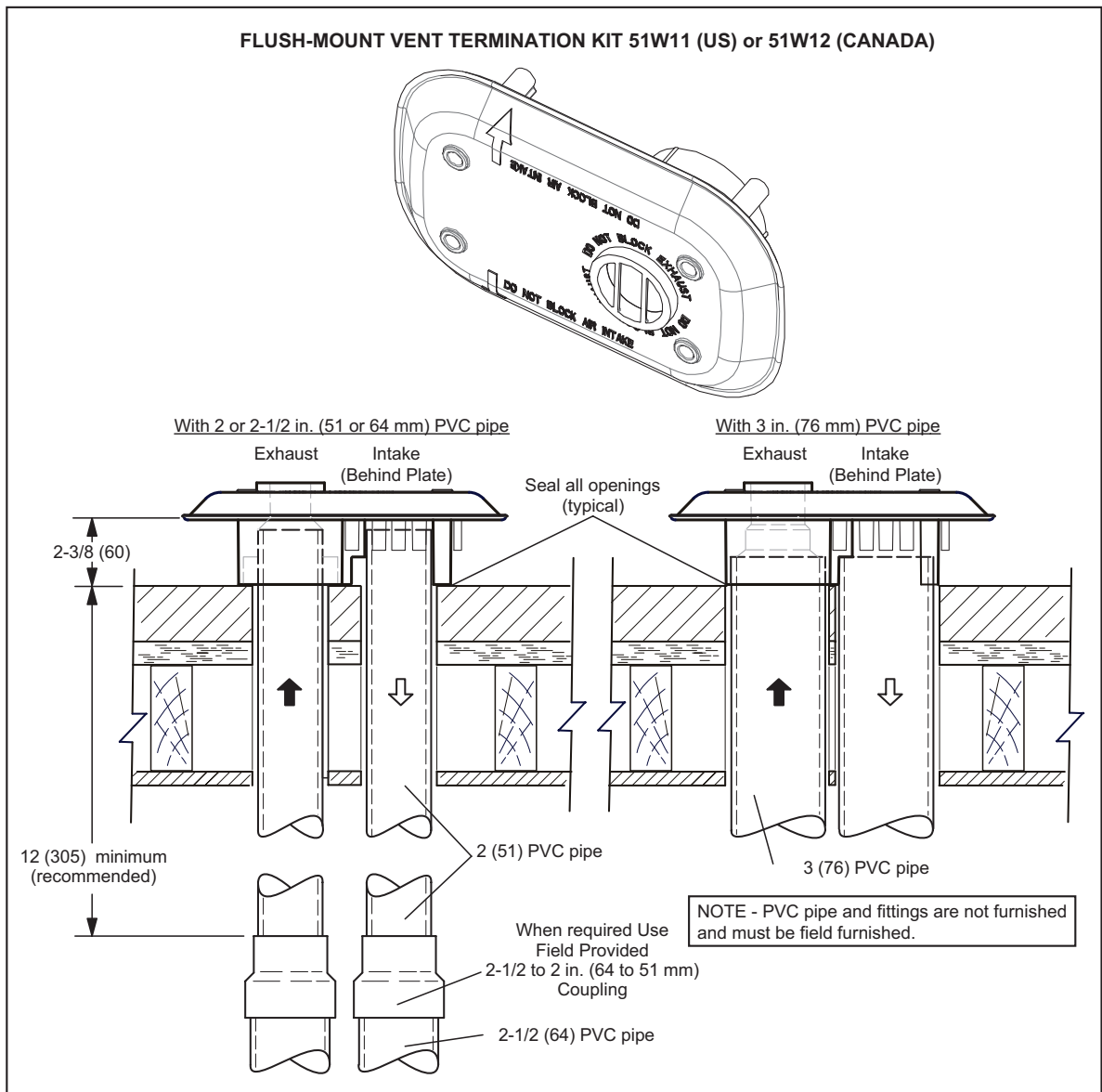
| Furnace Cabinet Width | Catalog Number | A | | B | |
|-----------------------|----------------|-----|-----|--------|-----|
| | | in. | mm | in. | mm |
| B | 87L96 | 18 | 457 | 16-3/4 | 425 |
| C | 87L97 | 21 | 533 | 18-3/4 | 476 |
| D | 87L98 | 25 | 635 | 23-3/4 | 603 |

OPTIONAL RETURN AIR BASE
(Upflow Applications Only - For use with B, C and D cabinets)

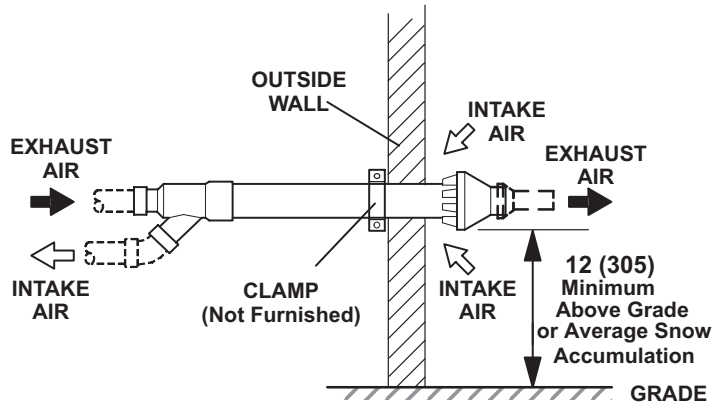


NOTE- Optional Side Return Air Filter Kits are not for use with Optional Return Air Base.

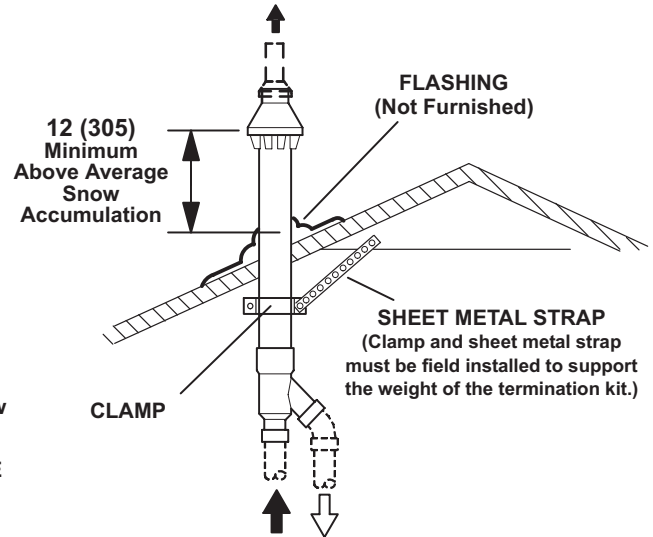
- ¹ Both the unit return air opening and the base return air opening must be covered by a single plenum or IAQ cabinet. Minimum unit side return air opening dimensions for units requiring 1800 cfm or more of air (W x H): 23 x 11 in. (584 x 279 mm). The opening can be cut as needed to accommodate plenum or IAQ cabinet while maintaining dimensions shown. Side return air openings must be cut in the field. There are cutting guides stenciled on the cabinet for the side return air opening. The size of the opening must not extend beyond the markings on the furnace cabinet.
- ² To minimize pressure drop, the largest opening height possible, up to 14 in. (356 mm), is preferred.



**CONCENTRIC WALL
TERMINATION APPLICATIONS**



**CONCENTRIC ROOF
TERMINATION APPLICATIONS**

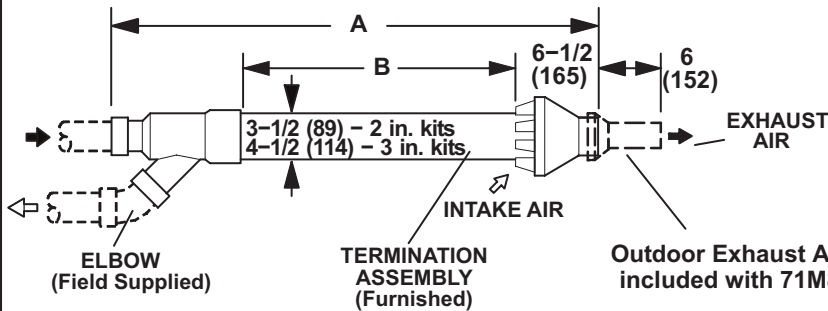


71M80 / 69M29 / 44W92 – 2 inch kits

60L46 / 44W93 – 3 inch kits

See Installation Instructions for additional information.

Note - Field provided reducer may be required to adapt different vent pipe sizes to termination.



| Cat. No. | A | | B | |
|-------------------|--------|-----|---------|-----|
| | in. | mm | in. | mm |
| 71M80 69M29 | 33-3/8 | 848 | 16-3/4 | 425 |
| 44W92 (Canada) | 29 | 737 | 15-1/2 | 394 |
| 60L46 | 38-7/8 | 987 | 21-3/16 | 538 |
| 44W93 (Canada) | 36-1/8 | 918 | 19-1/2 | 495 |

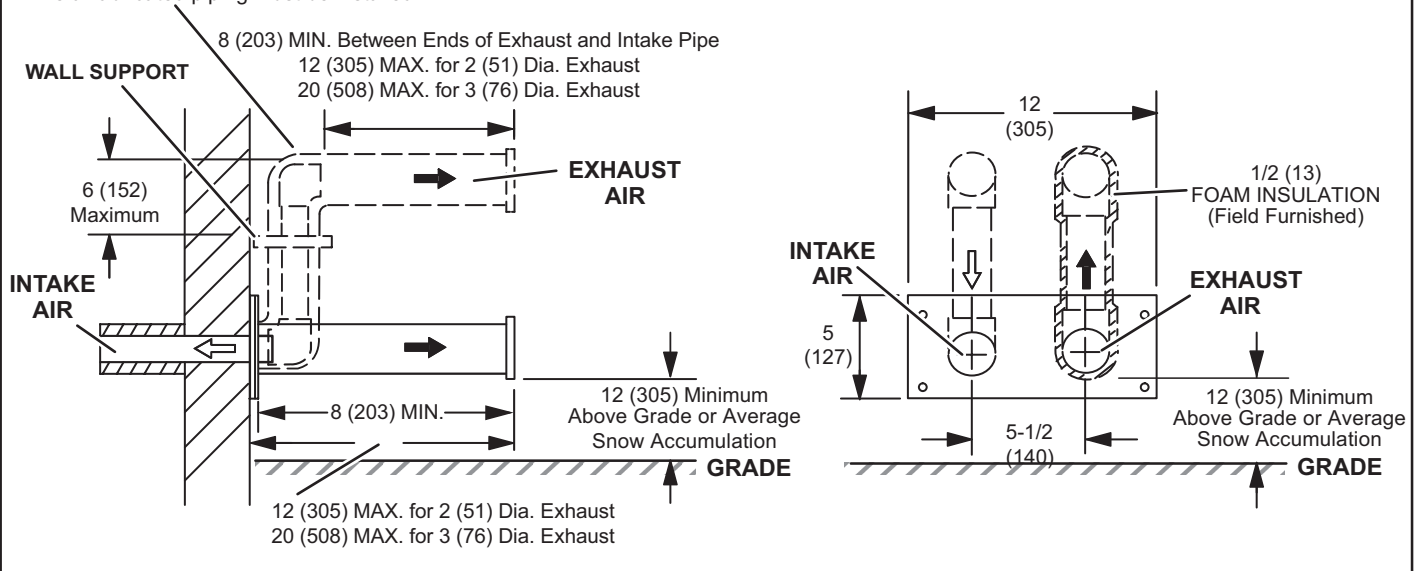
NOTE - Typical illustration for dimensions only. Design may vary depending on kit ordered.

**WALL TERMINATION KITS (CLOSE-COUPLE)
EXTENDED VENT FOR GRADE CLEARANCE
2 inch (51 mm) 22G44 (US)
3 inch (76 mm) 44J40 (US)**

See Installation Instructions for additional information.

Note - Field provided reducer may be required to adapt different vent pipe sizes to termination.

If Intake and Exhaust Pipe is less than 12 in. (305 mm) above snow accumulation or other obstructions, field fabricated piping must be installed.

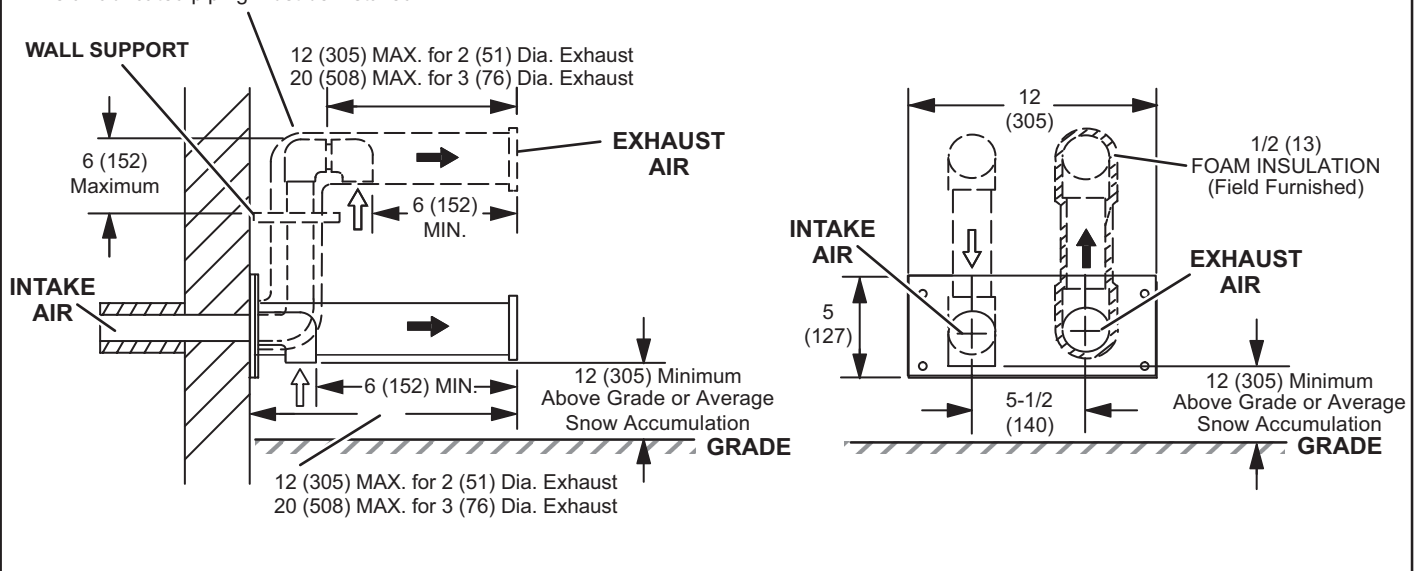


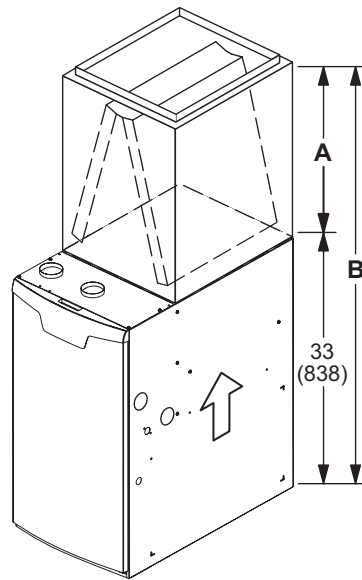
**WALL TERMINATION KITS (CLOSE-COUPLE)
EXTENDED VENT FOR GRADE CLEARANCE
2 inch (51 mm) 30G28 (WTK Canada)
3 inch (76 mm) 81J20 (WTK Canada)**

See Installation Instructions for additional information.

Note - Field provided reducer may be required to adapt different vent pipe sizes to termination.

If Intake and Exhaust Pipe is less than 12 in. (305 mm) above snow accumulation or other obstructions, field fabricated piping must be installed.



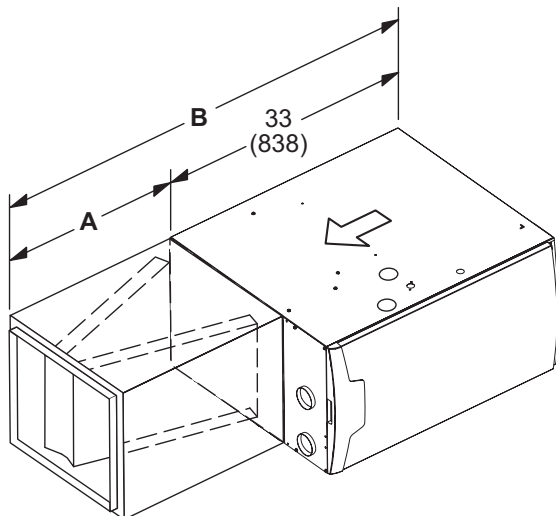


UPFLOW POSITION - CASIED

| Model | | A | | B | |
|---|---|--------|-----|--------|------|
| CK40CT | C35/CX35 | in. | mm | in. | mm |
| CK40CT-18/24A CK40CT-18/24B | C35/CX35-18/24A C35/CX35-18/24B | 16-1/2 | 419 | 49-1/2 | 1257 |
| CK40CT-24A CK40CT-24B | C35/CX35-24A C35/CX35-24B | 18-1/2 | 470 | 51-1/2 | 1308 |
| CK40CT-30A CK40CT-30B | C35/CX35-30A C35/CX35-30B | 22-1/2 | 572 | 55-1/2 | 1410 |
| CK40CT-30/36A CK40CT-30/36B CK40CT-30/36C | C35/CX35-30/36A C35/CX35-30/36B C35/CX35-30/36C | 24-1/2 | 622 | 57-1/2 | 1461 |
| CK40CT-36A CK40CT-36B | C35/CX35-36A C35/CX35-36B | 24-1/2 | 622 | 57-1/2 | 1461 |
| CK40CT-48B CK40CT-48C | C35/CX35-48B C35/CX35-48C | 27-1/2 | 699 | 60-1/2 | 1537 |
| CK40CT-49C | C35/CX35-49C | 29-1/2 | 749 | 62-1/2 | 1588 |
| CK40CT-50/60C | C35/CX35-50/60C | 27-1/2 | 699 | 60-1/2 | 1537 |
| CK40CT-60C | CX35-60C | 31-1/2 | 800 | 64-1/2 | 1638 |
| CK40CT-60D | CX35-60D | 29-1/2 | 749 | 62-1/2 | 1588 |

UPFLOW POSITION - UNCASIED

| Model | | A | | B | |
|---|--|--------|-----|--------|------|
| CK40UT | C35 | in. | mm | in. | mm |
| CK40UT-18/24A CK40UT-18/24B | C35-18/24A C35-18/24B | 14-1/8 | 359 | 47-1/8 | 1197 |
| CK40UT-24A CK40UT-24B | C35-24A C35-24B | 16-3/8 | 416 | 49-3/8 | 1254 |
| CK40UT-30A CK40UT-30B | C35-30A C35-30B | 20-3/4 | 527 | 53-3/4 | 1365 |
| CK40UT-30/36A CK40UT-30/36B CK40UT-30/36C | C35-30/36A C35-30/36B C35-30/36C | 22-1/4 | 565 | 55-1/4 | 1403 |
| CK40UT-36A CK40UT-36B | C35-36A C35-36B | 22-3/8 | 568 | 55-3/8 | 1407 |
| CK40UT-48B CK40UT-48C | C35-48B C35-48C | 26-1/4 | 667 | 59-1/4 | 1505 |
| CK40UT-49C | C35-49C | 28-1/2 | 724 | 61-1/2 | 1562 |
| CK40UT-50/60C | C35-50/60C | 25-7/8 | 657 | 58-7/8 | 1495 |
| CK40UT-60C | C35-60C | 30-5/8 | 778 | 63-5/8 | 1616 |
| CK40UT-60D | C35-60D | 28 | 711 | 61 | 1549 |



HORIZONTAL POSITION

| Model | | A | | B | |
|--|---|--------|-----|--------|------|
| CK40HT | CHX35 | in. | mm | in. | mm |
| CK40HT-18A CK40HT-24A CK40HT-24B CK40HT-30B CK40HT-36A CK40HT-36B CK40HT-36C CK40HT-42C CK40HT-48C | CHX35-18A CHX35-24A CHX35-24B CHX35-30B CHX35-36A CHX35-36B CHX35-36C CHX35-42C CHX35-48C | 26-1/2 | 673 | 59-1/2 | 1511 |
| CK40CT-30A CK40CT-42B CK40CT-48B CK40CT-51/61C CK40CT-60D | CHX35-30A CHX35-42B CHX35-48B CHX35-51/61C CHX35-60D | 31-1/2 | 880 | 64-1/2 | 1638 |

BLOWER DATA

EL296UH045XE36B PERFORMANCE (Less Filter)

| External Static Pressure in. w.g. | Air Volume / Watts at Various Blower Speeds | | | | | | | | | |
|--------------------------------------|---|-------|------------------------|-------|------------------|-------|------------------------|-------|--------------|-------|
| | High (Black) | | Medium-High (Brown) | | Medium (Blue) | | Medium-Low (Yellow) | | Low (Red) | |
| | cfm | Watts | cfm | Watts | cfm | Watts | cfm | Watts | cfm | Watts |
| 0.00 | 1416 | 339 | 1286 | 239 | 1174 | 193 | 945 | 101 | 885 | 89 |
| 0.10 | 1395 | 348 | 1246 | 249 | 1139 | 198 | 911 | 111 | 847 | 96 |
| 0.20 | 1375 | 358 | 1206 | 258 | 1105 | 203 | 876 | 120 | 809 | 103 |
| 0.30 | 1348 | 367 | 1184 | 267 | 1079 | 215 | 839 | 122 | 768 | 109 |
| 0.40 | 1318 | 380 | 1160 | 278 | 1046 | 221 | 798 | 132 | 733 | 115 |
| 0.50 | 1294 | 386 | 1125 | 286 | 1014 | 230 | 755 | 139 | 694 | 124 |
| 0.60 | 1265 | 398 | 1097 | 296 | 987 | 239 | 710 | 145 | 652 | 132 |
| 0.70 | 1216 | 393 | 1066 | 304 | 957 | 247 | 665 | 156 | 606 | 136 |
| 0.80 | 1147 | 374 | 1043 | 314 | 923 | 256 | 624 | 160 | 569 | 145 |
| 0.90 | 1062 | 350 | 1010 | 320 | 889 | 267 | 589 | 166 | 532 | 151 |
| 1.00 | 941 | 314 | 917 | 301 | 846 | 271 | 556 | 177 | 486 | 156 |

EL296UH070XE36B PERFORMANCE (Less Filter)

| External Static Pressure in. w.g. | Air Volume / Watts at Various Blower Speeds | | | | | | | | | |
|--------------------------------------|---|-------|------------------------|-------|------------------|-------|------------------------|-------|--------------|-------|
| | High (Black) | | Medium-High (Brown) | | Medium (Blue) | | Medium-Low (Yellow) | | Low (Red) | |
| | cfm | Watts | cfm | Watts | cfm | Watts | cfm | Watts | cfm | Watts |
| 0.00 | 1424 | 320 | 1270 | 228 | 1170 | 178 | 953 | 98 | 889 | 85 |
| 0.10 | 1395 | 333 | 1242 | 240 | 1137 | 190 | 912 | 107 | 851 | 94 |
| 0.20 | 1367 | 346 | 1214 | 252 | 1104 | 202 | 872 | 116 | 813 | 103 |
| 0.30 | 1332 | 362 | 1182 | 260 | 1071 | 213 | 832 | 123 | 762 | 110 |
| 0.40 | 1311 | 372 | 1153 | 274 | 1043 | 218 | 775 | 134 | 721 | 117 |
| 0.50 | 1287 | 382 | 1119 | 285 | 1001 | 231 | 735 | 141 | 675 | 125 |
| 0.60 | 1249 | 394 | 1087 | 294 | 968 | 241 | 681 | 148 | 625 | 134 |
| 0.70 | 1199 | 387 | 1055 | 306 | 934 | 249 | 641 | 156 | 581 | 142 |
| 0.80 | 1112 | 369 | 1013 | 316 | 891 | 259 | 596 | 166 | 540 | 149 |
| 0.90 | 1009 | 337 | 946 | 309 | 856 | 268 | 554 | 172 | 483 | 157 |
| 1.00 | 840 | 294 | 833 | 282 | 793 | 269 | 516 | 182 | 443 | 165 |

EL296UH090XE48C PERFORMANCE (Less Filter)

| External Static Pressure in. w.g. | Air Volume / Watts at Various Blower Speeds | | | | | | | | | |
|--------------------------------------|---|-------|------------------------|-------|------------------|-------|------------------------|-------|--------------|-------|
| | High (Black) | | Medium-High (Brown) | | Medium (Blue) | | Medium-Low (Yellow) | | Low (Red) | |
| | cfm | Watts | cfm | Watts | cfm | Watts | cfm | Watts | cfm | Watts |
| 0.00 | 1749 | 383 | 1505 | 275 | 1414 | 200 | 1323 | 173 | 1198 | 131 |
| 0.10 | 1714 | 401 | 1490 | 284 | 1373 | 217 | 1286 | 186 | 1165 | 143 |
| 0.20 | 1679 | 419 | 1476 | 292 | 1332 | 233 | 1250 | 199 | 1131 | 155 |
| 0.30 | 1650 | 435 | 1440 | 312 | 1305 | 247 | 1219 | 214 | 1083 | 168 |
| 0.40 | 1630 | 456 | 1403 | 327 | 1271 | 258 | 1178 | 222 | 1050 | 176 |
| 0.50 | 1601 | 469 | 1377 | 334 | 1227 | 270 | 1142 | 232 | 1006 | 188 |
| 0.60 | 1567 | 478 | 1347 | 346 | 1196 | 283 | 1110 | 245 | 968 | 197 |
| 0.70 | 1489 | 461 | 1313 | 361 | 1165 | 291 | 1068 | 257 | 930 | 207 |
| 0.80 | 1390 | 433 | 1275 | 372 | 1126 | 306 | 1035 | 268 | 894 | 217 |
| 0.90 | 1237 | 387 | 1218 | 373 | 1091 | 315 | 990 | 277 | 843 | 228 |
| 1.00 | 1115 | 354 | 1075 | 337 | 1043 | 324 | 951 | 287 | 807 | 235 |

BLOWER DATA

EL296UH110XE60C PERFORMANCE (Less Filter)

| External Static Pressure in. w.g. | Air Volume / Watts at Different Blower Speeds | | | | | | | | | | | | | | | | | | | |
|-----------------------------------|--|-------|---------------------|-------|---------------|-------|---------------------|-------|-----------|-------|--|------------|---------------------|------------|---------------|-------|---------------------|-------|-----------|-------|
| | Bottom Return Air, Side Return Air with Return Air from Both Sides or Return Air from Bottom and One Side. | | | | | | | | | | Single Side Return Air - Air volumes in bold (over 1800 cfm) require Optional Return Air Base and field fabricated transition to accommodate 20 x 25 x 1 in. air filter in order to maintain proper air velocity. | | | | | | | | | |
| | High (Black) | | Medium-High (Brown) | | Medium (Blue) | | Medium-Low (Yellow) | | Low (Red) | | High (Black) | | Medium-High (Brown) | | Medium (Blue) | | Medium-Low (Yellow) | | Low (Red) | |
| | cfm | Watts | cfm | Watts | cfm | Watts | cfm | Watts | cfm | Watts | cfm | Watts | cfm | Watts | cfm | Watts | cfm | Watts | cfm | Watts |
| 0.00 | 2178 | 636 | 1915 | 438 | 1742 | 336 | 1665 | 279 | 1449 | 207 | 2133 | 636 | 1847 | 437 | 1679 | 334 | 1613 | 275 | 1435 | 200 |
| 0.10 | 2140 | 653 | 1877 | 449 | 1706 | 349 | 1616 | 292 | 1419 | 215 | 2101 | 650 | 1821 | 449 | 1650 | 346 | 1558 | 288 | 1383 | 209 |
| 0.20 | 2102 | 669 | 1840 | 461 | 1670 | 362 | 1566 | 304 | 1388 | 223 | 2069 | 664 | 1795 | 462 | 1621 | 357 | 1503 | 301 | 1331 | 217 |
| 0.30 | 2061 | 687 | 1799 | 477 | 1639 | 375 | 1518 | 317 | 1326 | 234 | 2036 | 681 | 1746 | 479 | 1575 | 373 | 1466 | 312 | 1289 | 229 |
| 0.40 | 2031 | 702 | 1758 | 492 | 1590 | 387 | 1480 | 328 | 1275 | 244 | 1998 | 698 | 1708 | 492 | 1538 | 383 | 1417 | 326 | 1235 | 241 |
| 0.50 | 1999 | 719 | 1721 | 507 | 1546 | 399 | 1427 | 341 | 1229 | 255 | 1970 | 717 | 1676 | 509 | 1497 | 397 | 1377 | 340 | 1183 | 254 |
| 0.60 | 1960 | 735 | 1683 | 519 | 1505 | 413 | 1390 | 351 | 1179 | 266 | 1940 | 731 | 1641 | 517 | 1460 | 408 | 1339 | 349 | 1152 | 262 |
| 0.70 | 1908 | 741 | 1637 | 534 | 1467 | 424 | 1351 | 361 | 1128 | 277 | 1890 | 740 | 1609 | 533 | 1417 | 423 | 1293 | 362 | 1099 | 274 |
| 0.80 | 1840 | 721 | 1609 | 550 | 1423 | 438 | 1299 | 374 | 1088 | 284 | 1834 | 730 | 1560 | 549 | 1375 | 437 | 1254 | 374 | 1047 | 286 |
| 0.90 | 1744 | 692 | 1569 | 561 | 1387 | 447 | 1257 | 386 | 1036 | 296 | 1741 | 702 | 1532 | 561 | 1339 | 447 | 1219 | 384 | 1011 | 296 |
| 1.00 | 1651 | 655 | 1539 | 573 | 1347 | 461 | 1218 | 397 | 984 | 305 | 1645 | 665 | 1496 | 574 | 1298 | 460 | 1177 | 397 | 970 | 304 |

EL296UH135XE60D PERFORMANCE (Less Filter)

| External Static Pressure in. w.g. | Air Volume / Watts at Different Blower Speeds | | | | | | | | | | | | | | | | | | | |
|-----------------------------------|--|-------|---------------------|-------|---------------|-------|---------------------|-------|-----------|-------|--|------------|---------------------|------------|---------------|-------|---------------------|-------|-----------|-------|
| | Bottom Return Air, Side Return Air with Return Air from Both Sides or Return Air from Bottom and One Side. | | | | | | | | | | Single Side Return Air - Air volumes in bold (over 1800 cfm) require Optional Return Air Base and field fabricated transition to accommodate 20 x 25 x 1 in. air filter in order to maintain proper air velocity. | | | | | | | | | |
| | High (Black) | | Medium-High (Brown) | | Medium (Blue) | | Medium-Low (Yellow) | | Low (Red) | | High (Black) | | Medium-High (Brown) | | Medium (Blue) | | Medium-Low (Yellow) | | Low (Red) | |
| | cfm | Watts | cfm | Watts | cfm | Watts | cfm | Watts | cfm | Watts | cfm | Watts | cfm | Watts | cfm | Watts | cfm | Watts | cfm | Watts |
| 0.00 | 2303 | 913 | 2138 | 674 | 1982 | 493 | 1794 | 351 | 1621 | 273 | 2299 | 916 | 2086 | 665 | 1908 | 494 | 1722 | 358 | 1560 | 257 |
| 0.10 | 2300 | 922 | 2125 | 689 | 1948 | 508 | 1750 | 368 | 1576 | 287 | 2274 | 936 | 2058 | 680 | 1880 | 509 | 1690 | 366 | 1524 | 269 |
| 0.20 | 2298 | 932 | 2111 | 703 | 1914 | 522 | 1706 | 385 | 1531 | 302 | 2248 | 957 | 2030 | 695 | 1852 | 523 | 1659 | 374 | 1488 | 282 |
| 0.30 | 2252 | 960 | 2074 | 720 | 1880 | 537 | 1681 | 398 | 1489 | 310 | 2214 | 970 | 1997 | 712 | 1829 | 537 | 1621 | 394 | 1446 | 297 |
| 0.40 | 2227 | 974 | 2050 | 737 | 1850 | 550 | 1629 | 412 | 1439 | 322 | 2194 | 990 | 1974 | 727 | 1799 | 554 | 1595 | 407 | 1407 | 308 |
| 0.50 | 2188 | 971 | 2015 | 757 | 1809 | 570 | 1597 | 421 | 1387 | 334 | 2153 | 994 | 1947 | 745 | 1771 | 567 | 1562 | 418 | 1356 | 321 |
| 0.60 | 2114 | 946 | 1984 | 770 | 1771 | 585 | 1553 | 439 | 1351 | 346 | 2104 | 980 | 1928 | 762 | 1742 | 583 | 1519 | 434 | 1322 | 333 |
| 0.70 | 2048 | 911 | 1944 | 785 | 1730 | 600 | 1516 | 451 | 1312 | 356 | 2044 | 949 | 1897 | 778 | 1705 | 596 | 1474 | 447 | 1277 | 345 |
| 0.80 | 1962 | 858 | 1893 | 797 | 1705 | 616 | 1485 | 462 | 1267 | 368 | 1962 | 907 | 1856 | 794 | 1671 | 616 | 1449 | 458 | 1230 | 356 |
| 0.90 | 1857 | 806 | 1838 | 774 | 1665 | 628 | 1427 | 477 | 1209 | 382 | 1873 | 853 | 1809 | 793 | 1637 | 629 | 1402 | 473 | 1189 | 368 |
| 1.00 | 1780 | 775 | 1754 | 739 | 1625 | 642 | 1387 | 488 | 1177 | 392 | 1756 | 801 | 1733 | 769 | 1594 | 643 | 1362 | 487 | 1148 | 381 |

REVISIONS

| Sections | Description of Change |
|----------------------|--|
| Dimensions | Updated Furnace/Coil Combined Dimension data for new CK40 coils. |
| Override Accessories | Added Refrigerant Detection System (RDS) Components. |



Visit us at www.lennox.com

For the latest technical information, www.LennoxPros.com

Contact us at 1-800-9-LENNOX

NOTE - Due to Lennox' ongoing commitment to quality, Specifications, Ratings and Dimensions subject to change without notice and without incurring liability. Improper installation, adjustment, alteration, service or maintenance can cause property damage or personal injury. Installation and service must be performed by a qualified installer and servicing agency.

©2024 Lennox Industries, Inc.