

Job:
Location:
Schedule No.:
System Designation:

Engineer:
Architect:
Location:
Date:

For: Reference Approval Review Construction

Reheat Coil For Use With VOSB Outdoor Air Models

FEATURES

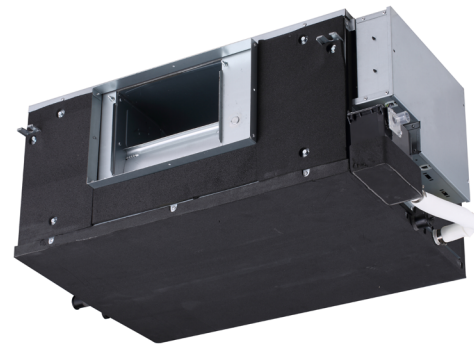
- Digital Readout/Infrared Receiver Panel
- Auto Addressing
- Auto Restart
- Electronic Expansion Valve
- Air Filter
- Brazed Connections
- Refrigerant R-410A

WARRANTY

- 10-year limited warranty.*See warranty for details.

SPECIFICATIONS

Refrigerant	R-410A	
Indoor Fan Motor	81	
Indoor Coil		
Number of Rows	2	
Fin Spacing - In.	1/16	
Number of Circuits	4	
Tube Outside Diameter and Type - In.	3/8 - Rifled Copper Tubing	
Fin Type	Hydrophilic Coated Aluminum	
Expansion Device Type	Electronic Expansion Valve	
Design Pressure (High/Low) - PSIG	650/250	
Indoor Coil Connections		
Liquid Pipe O.D. - In. (Flare)	1/4	
Gas Pipe O.D. - In. (Flare)	1/2	
Indoor Blower		
External Static Pressure - In. W.G.	0.2 ~ 0.8	
Sound Data dBA	15	
Filter Size - In. (Furnished)	26-3/8 x 13-1/4 x 3/8	
ELECTRICAL DATA		
Line Voltage Data - 60 Hz - 1 Ph	208-230	
Minimum Circuit Ampacity (MCA) (A)	2.5	
Maximum Overcurrent Protection (MOP) (A)	15	
Indoor Blower Motor - Full Load Amps	2	
DIMENSIONS		
Unit Dimensions (in)	Width	37-1/2
	Height	16-1/2
	Depth	29-1/8
Net Weight (lb)	105	
Shipping Weight (lb)	162	



OPTIONAL ACCESSORIES

Non-Programmable Controller	V0STAT54P-3
Programmable Wired Controller	V0STAT51P-3

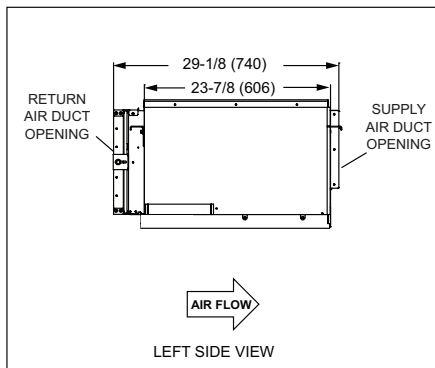
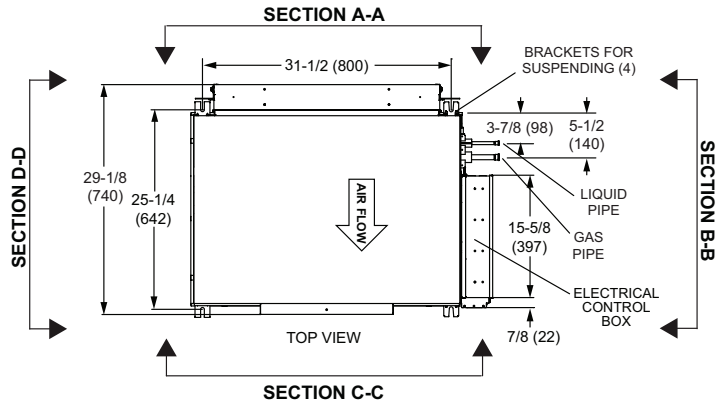
NOTES

- Cooling and Heating capacity data is rated at the following conditions:
Cooling: 91°FDB / 82°FWB
Heating: 32°FDB / 26°FWB.
- Power Input values are rated at high fan speed.

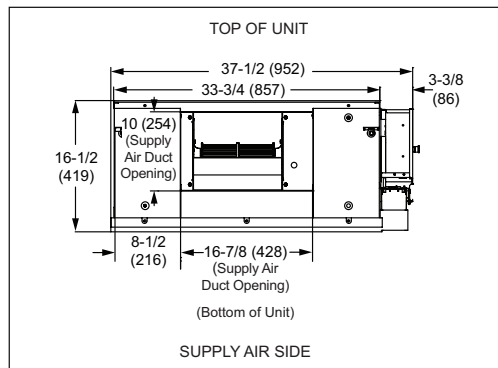


NOTE - Due to Lennox' ongoing commitment to quality, Specifications, Ratings and Dimensions subject to change without notice and without incurring liability. Improper installation, adjustment, alteration, service or maintenance can cause property damage or personal injury. Installation and service must be performed by a qualified installer and servicing agency.

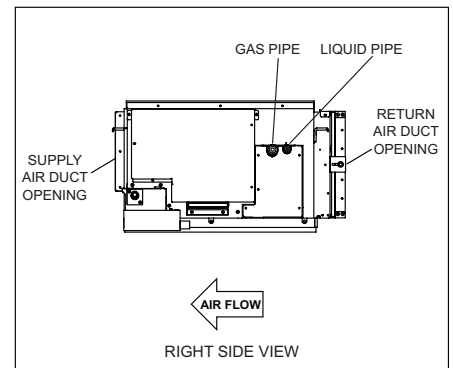
DIMENSIONAL DRAWINGS - INCHES (MM)



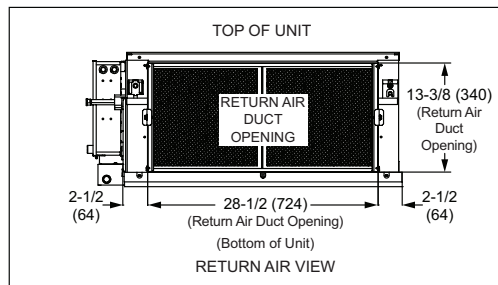
SECTION D-D



SECTION C-C



SECTION B-B



SECTION A-A

NOTE - Due to Lennox' ongoing commitment to quality, Specifications, Ratings and Dimensions subject to change without notice and without incurring liability. Improper installation, adjustment, alteration, service or maintenance can cause property damage or personal injury. Installation and service must be performed by a qualified installer and servicing agency.