

LCX

XION™ ROOFTOP UNITS

Standard Efficiency | Lennox® CORE Lite Controller | Environ™ Coil | **R-454B** | 60Hz



COMMERCIAL PRODUCT SPECIFICATIONS (EHB)

15 to 25 Tons

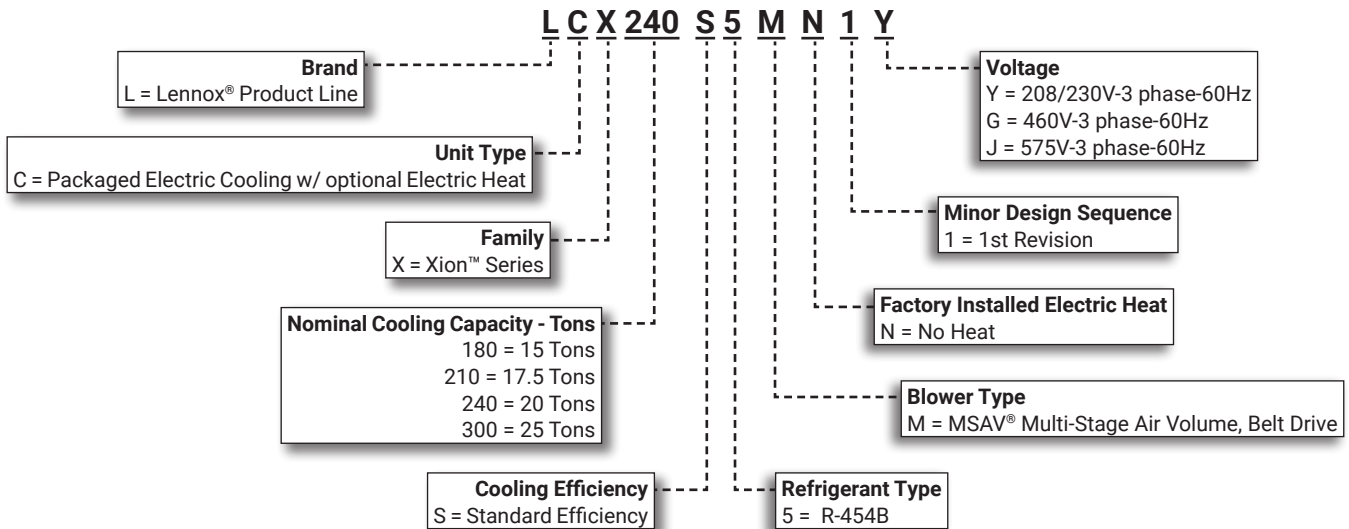
Net Cooling Capacity – 172,000 to 270,000 Btuh

Optional Electric Heat - 15 to 90 kW

XION



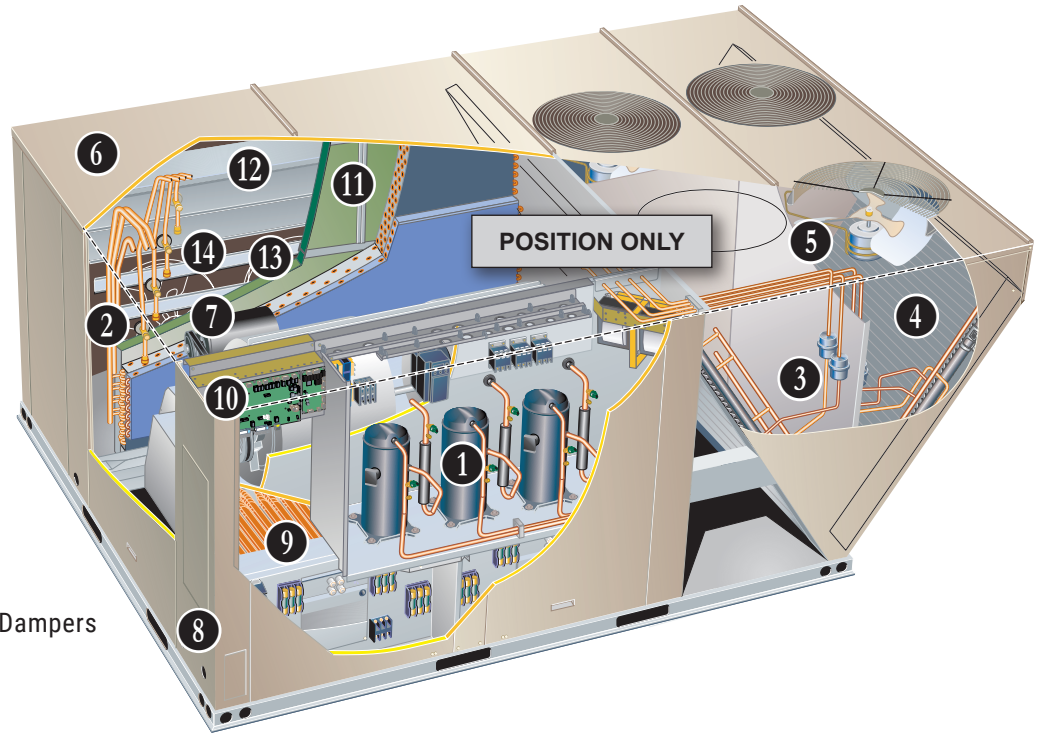
MODEL NUMBER IDENTIFICATION



FEATURE HIGHLIGHTS

Xion™ rooftop units are engineered with the right technologies and options to meet standard efficiency requirements while delivering reliable performance and year-round comfort.

1. Scroll Compressors
2. Thermal Expansion Valves
3. Filter/Driers
4. Environ™ Coil System
5. Outdoor Coil Fan Motors
6. Cabinet Construction
7. MSAV® Multi-Stage Air Volume Blower
8. Disconnect Switch (option)
9. Electric Heat (option)
10. Lennox® CORE Lite Control System
11. Air Filters
12. Economizer (option)
13. Downflow Barometric Relief Dampers (option)
14. Power Exhaust Fans (option)



CONTENTS

Approvals And Warranty	3
Blower Data	21
Dimensions - Unit	32
- LCX180 LCX210	32
- LCX240	33
- LCX300	34
- Optional Accessories	35
Electrical Accessories - Disconnects	28
Electrical/Electric Heat Data	24
- 15 Ton	24
- 17.5 Ton	25
- 20 Ton	26
- 25 Ton	27
Electric Heat Capacities	30
Features And Benefits	3
Model Number Identification	1
Optional Conventional Temperature Control Systems	12
Options / Accessories	14
Outdoor Sound Data	30
Ratings	19
Specifications	18
Unit Clearances	30
Weight Data	31

APPROVALS AND WARRANTY

APPROVALS

- AHRI Standard 340/360-2023 certified
- ETL and CSA listed
- Unit and components are ETL, NEC, and CEC bonded for grounding to meet safety standards for servicing
- All models are ASHRAE 90.1 energy efficiency compliant and meet or exceed requirements of Section 6.8
- All models meet DOE 2023 energy efficiency standards and UL 60335-2-40 Refrigerant Detector Requirements
- All models have HCAI (formerly OSHPD) OSP and Special Seismic Certification ([Number: OSP-0596](#)), and meet 2021 International Building Code (IBC), 2022 California Building Code (CBC) ASCE 7, and ICC-ES AC156
- All models meet California Code of Regulations, Title 24 and ASHRAE 90.1 Section 6.4.3.10 requirements for staged airflow
- ISO 9001 Registered Manufacturing Quality System

WARRANTY

- Compressors - Limited five years
- Environ™ Coil System - Limited three years
- Lennox® CORE Lite Unit Controller - Limited three years
- Variable-Frequency Drive (VFD)- Limited five years
- High Performance Economizers (optional) - Limited five years
- All other covered components - Limited one year

FEATURES AND BENEFITS

COOLING SYSTEM

- Designed to maximize sensible and latent cooling performance at design conditions
- System can operate from 45°F to 125°F without any additional controls

R-454B Refrigerant

- Low GWP (Global Warming Potential)
- Zero ODP (Ozone Depletion Potential)
- Low Toxicity/Lower Flammability - A2L
- Unit is factory pre-charged

1 Scroll Compressors

- Scroll compressors on all models for high performance, reliability, and quiet operation
- Resiliently mounted on rubber grommets for quiet operation

Compressor Crankcase Heaters

- Protects against refrigerant migration that can occur during low ambient operation or during extended off cycles

2 Thermal Expansion Valves

- Ensures optimal performance throughout the application range
- Removable element head

3 Filter/Driers

- High capacity filter/drier protects the system from dirt and moisture

High Pressure Switches

- Protects the compressor from overload conditions such as dirty condenser coils, blocked refrigerant flow or loss of outdoor fan operation

Low Pressure Switches

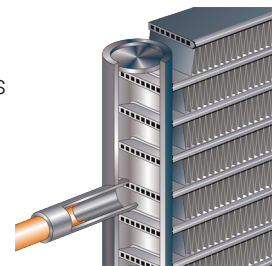
- Protects the compressors from low pressure conditions such as low refrigerant charge or low/no airflow

Indoor Coil Freeze Protection

- Protects the evaporator coil from damaging ice build-up due to conditions such as low/no airflow or low refrigerant charge

4 Condenser Coil - Environ™ Coil System

- Lightweight, all aluminum brazed fin construction
- Constructed of three components
 - A flat extrusion tube
 - Fins in-between the flat extrusion tube
 - Two refrigerant manifolds



Environ™ Coil System Features:

- Improved heat transfer performance due to high primary surface area (flat tubes) versus secondary surface (fins)
- Smaller internal volume (reduced refrigerant charge)
- High durability
- All aluminum construction
- Fewer brazed joints
- Compact design
- Reduced unit weight
- Easy maintenance/cleaning
- Mounting brackets with rubber inserts secure coil to unit providing vibration dampening and corrosion protection
- Angled cabinet design protects coil from damage

FEATURES AND BENEFITS

COOLING SYSTEM (continued)

Evaporator Coil

- Copper tube construction
- Enhanced rippled-edge aluminum fins
- Flared shoulder tubing connections
- Silver soldered construction
- Factory leak tested
- Cross-row circuiting with rifled tubing

Antimicrobial Condensate Drain Pan

- Composite pan, sloped to meet drainage requirements of ASHRAE 62.1
- Antimicrobial additive resists growth of mold and mildew on drain pan, which improves indoor air quality and reduces drain line blockage
- Side or bottom drain connections

5 Outdoor Coil Fan Motors

- Thermal overload protected
- Totally enclosed
- Permanently lubricated ball bearings
- Shaft up
- Wire basket mount

Outdoor Coil Fans

- PVC coated fan guard furnished

Required Selections

Cooling Capacity

- Specify nominal cooling capacity

Options/Accessories

Field Installed

Condensate Drain Trap

- Available in copper or PVC

Drain Pan Overflow Switch

- Monitors condensate level in drain pan, shuts down unit if drain becomes clogged

Low Ambient Controls (0°F)

- Units operate satisfactorily down to 45°F outdoor air temperature without any additional controls
- Allows unit operation down to 0°F without evaporator coil icing
- Head pressure speed control reduces outdoor fan operation during low ambient conditions unit head pressure rises to the setpoint
- Pressure transducers are mounted on the liquid lines
- Liquid line pressure switches and temperature switches are provided for field installation
- Wiring harnesses are furnished for simple plug-in wiring to fans and controller

LOW GWP REFRIGERANT DETECTION SYSTEM (RDS)

- Complies with UL 60335-2-40 approved standard
- Required for all systems using R-454B refrigerant
- Factory installed on all units
- Consists of a refrigerant detection sensor(s) and a mitigation control
- Ensures safe operation for systems equipped with R-454B refrigerant
- Sensor(s) monitors indoor coil area for R-454B refrigerant
- If R-454B refrigerant is detected the refrigerant detection system will prevent compressor and heating operation until R-454B refrigerant is no longer detected
- Refrigeration detection system energizes blower if any R-454B refrigerant is detected to mitigate any concentrations of refrigerant from the unit and the system

FEATURES AND BENEFITS

CABINET

6 Construction

- Heavy-gauge steel panels
- Full perimeter heavy-gauge galvanized steel base rail
- Base rails have rigging holes
- Three sides of the base rail have forklift slots
- Raised edges around duct and power entry openings in the bottom of the unit for water protection

Airflow Choice

- Units are shipped in downflow (vertical) return air flow configuration

NOTE - Units can be field converted to horizontal air flow with optional Horizontal Return Air Panel Kit and Horizontal Roof Curb.

Power Entry

- Electrical lines can be routed through the unit base or through horizontal access knock-outs

Exterior Panels

- Constructed of heavy-gauge, galvanized steel
- Textured pre-paint with polyurethane finish
- Cyclic salt fog and UV exposure up to 1,680 hours per ASTM D5894

Insulation

- Fully insulated with non-hygroscopic fiberglass insulation (conditioned areas)
- Unit base is fully insulated
- Base insulation serves as an air seal to the roof curb, eliminating the need to add a seal during installation

Access Panels

- Economizer/Filter section
- Heating/Blower section
- Compressor/Controls section

Options/Accessories

Factory Installed

Hinged Access Panels

- Tool-less access
- Filter section
- Heating/Blower section
- Compressor/Controls section
- Panel seals and quarter-turn latching handles provide a tight air and water seal

Factory or Field Installed

Combination Coil/Hail Guards

- Heavy gauge steel frame
- Painted to match cabinet
- Expanded metal mesh protects outdoor coil

Field Installed

Horizontal Return Air Panel Kit

- Required for horizontal applications with Horizontal Roof Curb
- Contains panel with return air opening for field replacement of existing unit panel and panel to cover bottom return air opening in unit
- See dimension drawings

FEATURES AND BENEFITS

BLOWER

A wide selection of supply air blower options are available to meet a variety of airflow requirements

Motor

- Overload protected
- Ball bearings

7 Supply Air Blower

- Forward curved blades
- Double inlet
- Blower wheel is statically and dynamically balanced
- Ball bearings
- Adjustable pulley (allows speed change)
- Blower assembly slides out of unit for servicing
- Grease fittings furnished

Blower Proving Switch

- Monitors blower operation, shuts down unit if blower fails

MSAV® Multi-Stage Air Volume Operation

- MSAV® Multi-Stage Air Volume stages the amount of airflow according to compressor stages, heating demand, ventilation demand or smoke alarm
- Units utilize a Variable Frequency Drive (VFD) to stage the supply air blower airflow
- VFD alters the frequency and voltage of the power supply to the blower to control blower speed
- The amount of airflow for each stage can be set according to a parameter in the Lennox® CORE Unit Controller
- Unit is shipped from the factory with preset airflow
- VFD has an operational range of -40 to 125°F outdoor air ambient temperature
- Lower operating costs are obtained when the blower is operated on lower speeds.

NOTE - Units equipped with a Variable Frequency Drive (VFD) are designed to operate on balanced, three-phase power. Operating units on unbalanced three-phase power will reduce the reliability of all electrical components in the unit. Unbalanced power is a result of the power delivery system supplied by the local utility company. Factory-installed inverters are sized to drive blower motors with an equivalent current rating using balanced three-phase power. If unbalanced three-phase power is supplied, the installer must replace the existing factory-installed inverter with an inverter that has a higher current rating to allow for the imbalance. Refer to the installation instructions for additional information and replacement information

Ordering Information

- Specify motor horsepower and drive kit number when base unit is ordered

Options/Accessories

Field Installed

Blower Belt Auto-Tensioner

- Provides proper tension to belt drive blower belt without the need for regular adjustments
- Maintains airflow and proper performance

VFD Automatic Bypass Kit

- Bypass Kit can be used to automatically bypass the VFD and operate the unit in single speed (CAV) blower mode if the inverter needs to be serviced or replaced
- VFD Automatic Bypass Control must be enabled by Config ID on the unit controller

FEATURES AND BENEFITS

ELECTRICAL

SmartWire™ System

- Keyed and color-coded wiring connectors prevent miswiring
- Wire coloring scheme is standardized across all models
- Each connection is intuitively labeled to make troubleshooting and servicing quick and easy

Electrical Plugs

- Positive connection electrical plugs connect common accessories or maintenance parts for easy removal or installation

Phase/Voltage Detection

- Monitors power supply to ensure correct phase at unit start-up
- If phase is incorrect, the unit will not state and an alarm code reports to the unit controller
- Prevents unit start-up if the unit is in the incorrect phase; unit start-ups in the wrong phase could lead to issues such as compressors functioning in reverse
- Monitors power supply voltage to ensure proper voltage
- If voltage is not correct (over/under voltage conditions) the unit will not start and an alarm code reports to the unit controller

Required Selections

Voltage Choice

- Specify when ordering base unit

Options/Accessories

Factory or Field Installed

8 Disconnect Switch

- Accessible from outside of unit
- Spring loaded weatherproof cover furnished

GFI Service Outlets (2)

- 115V ground fault circuit interrupter (GFCI) type options:
 - Factory installed, non-powered, field wired
 - Field installed, non-powered, field wired

Field Installed

9 Electric Heat

- Helix wound nichrome elements
- Individual element limit controls
- Wiring harness
- Unit fuse block
- See Options / Accessories tables for ordering information

GFI Weatherproof Cover

- Single-gang cover
- Heavy-duty UV-resistant polycarbonate case construction
- Hinged base cover with gasket

INDOOR AIR QUALITY

10 Air Filters

- Disposable 2 inch MERV 4 filters furnished as standard

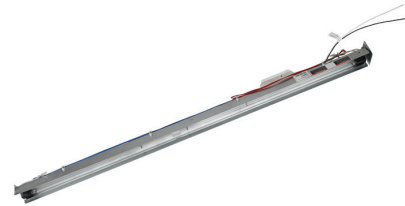
Options/Accessories

Field Installed

Healthy Climate® High Efficiency Air Filters

- Disposable MERV 8, MERV 13, or MERV 16 (Minimum Efficiency Reporting Value based on ASHRAE 52.2) efficiency
- 2 inch pleated filters

Healthy Climate® UVC Germicidal Lamps



- Germicidal lamps emit ultra-violet (UV-C) energy, which has been proven to be effective in reducing microbes such as viruses, bacteria, yeasts, and molds
- UV-C energy greatly reduces the growth and proliferation of mold and other bioaerosols (bacteria and viruses) on illuminated surfaces (particularly coil and drain pan)
- Destroys the organism or controls its ability to reproduce
- Field installed in the blower/evaporator coil section
- Magnetic safety interlock terminates power when access panels are removed
- All necessary hardware for installation is included
- Lamps operate on 110/230V-1ph power supply
- NOTE** - Step-down transformer may be ordered separately for 460V and 575V units.
- Approved by ETL

Needlepoint Bipolar Ionization (NPBI) Kit

- NPBI technology has been shown to effectively reduce harmful pathogens, pollutants, and odors
- Brush-type ionizer introduces a high concentration of both positive and negative ions into the air stream
- These bipolar ions are then dispersed into the occupied space through the duct system proactively reducing the airborne contaminants
- Ions travel within the building air stream and attach to particles, pathogens, and gas molecules, making them larger and easier to capture in the filtration system
- UL 2998 certified for zero ozone emission

Indoor Air Quality (CO₂) Sensors

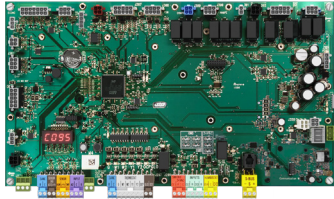
- Monitors CO₂ levels
- Reports to the Lennox® CORE Lite Unit Controller, which adjusts economizer dampers as needed

Replacement Filter Media Kit With Frame

- Replaces existing pleated filter media
- Includes washable metal mesh screen and metal frame with clip for holding replaceable non-pleated filter

CONTROL SYSTEM

LENNOX® CORE LITE CONTROL SYSTEM



- 11** The Lennox® CORE Lite Control System is designed to accelerate equipment install and service. Standard with all Enlight™ rooftop units, control system integrates key technologies that lower installation costs, drive system efficiency, and protect your investments.

The Lennox® CORE Lite Unit Controller is a microprocessor-based controller that provides flexible control of all unit functions.

CORE Mobile Service App

- Guided Setup with progress indicators, detailed help, and exportable summaries to manage simple, trouble-free setup, reducing commissioning times
- Enhanced Test Functionality provides real-time sensor readings, trending, and reports that enable easy troubleshooting
- Ability to set and configure parameters of the CORE Control System to manage sequence of operation
- Economizer test function ensures economizer is operating correctly



Additional Features:

- Built-In 7-Segment Display shows Unit Status and active alarms for easy troubleshooting
- Buttons for test and clearing delays
- SmartWire™ System with keyed and removable screw terminals ensure correct field wiring
- Built-in BACnet MS/TP and IP allow open integration to building management systems.
- Profile setup copies key settings between units with the same configuration to reduce setup time
- USB port allows a technician to download and transfer unit information to help verify service was performed
- USB software updates on the Lennox® CORE Lite Unit Controller enhance functionality without the need to change components

Configurable Built-In Functions

- Up to three distinct Cooling Airflows in Thermostat Mode
- Programmable independent heating, ventilation and cooling blower speeds
- Economizer Control Options (See Economizer / Exhaust Air / Outdoor Air sections)
- Exhaust Fan Control Modes for fresh air damper position
- Configurable Morning Warm-up
- Night Setback Mode
- Demand Control Ventilation
- Humiditrol® Operation

Component Protection / Unit Safeguards:

- Compressor Time-Off Delay
- Adjustable Blower On/Off Delay
- Return Air Temperature Limit Control
- Safety Switch Input allows Controller to respond to a external safety switch trip
- Service Relay Output
- Thermostat Bounce Delay
- Smoke Alarm Mode has four choices (unit off, positive pressure, negative pressure, purge)
- "Strike Three" Protection
- Gas Valve Time Delay Between First and Second Stage
- Minimum Compressor Run Time

Control Methods / Interfaces:

- DDC and 24V Thermostat
- BACnet MS/TP (Field Option)
- Lennox S-BUS
- Zone Temperature Sensor Input
- Dehumidistat and Humidity Sensor Inputs
- Indoor Air Quality Inputs (2)
- Built-in Control Parameter Defaults
- Permanent Diagnostic Code Storage
- Field Adjustable Control Parameters (Over 200 settings)
- Multiple Configurable Digital Inputs
- LED Indicators

NOTE - Lennox® CORE Lite Control System features vary with the type of rooftop unit in which the control is installed.

CONTROL SYSTEM

LENNOX® CORE LITE CONTROL SYSTEM (continued)

Controls Options

Field Installed

Dirty Filter Switch

- Senses static pressure increase and issues alarm if necessary

Smoke Detector

- Photoelectric type
- Installed in supply air section, return air section or both sections
- Available with power board and single sensor (supply or return) or power board and two sensors (supply and return)
- Power board located in unit control compartment

OPTIONS / ACCESSORIES

ECONOMIZER

- Economizer operation is set and controlled by the Lennox® CORE Lite Unit Controller
- Simple plug-in connections from Economizer to unit controller for easy installation
- All Xion™ rooftop units are equipped with factory installed CEC Title 24 approved sensors for outside, return and discharge air temperature monitoring

NOTE - Optional sensors may be used instead of unit sensors to determine whether outdoor air is suitable for free cooling. See Options/Accessories table.

Factory or Field Installed

12 High Performance Economizer

- Approved for California Title 24 building standards
- Low leakage dampers are Air Movement and Control Association International (AMCA) Class 1A Certified - Maximum 3 CFM per sq. ft. leakage at 1 in. w.g.
- ASHRAE 90.1 and IECC compliant
- Downflow or Horizontal with Outdoor Air Hood
- Outdoor Air Hood with mist elimination is included when Economizer is factory installed and is furnished with Economizer when ordered for field installation

NOTE - Downflow or horizontal economizer applications require optional Downflow or Horizontal Barometric Relief Dampers with Exhaust Hood.

- Linked damper action
- High torque 24-volt fully-modulating spring return damper motor
- Return air and outdoor air dampers
- Plug-in connections to unit

NOTE - High Performance Economizers are not approved for use with enthalpy controls in Title 24 applications.

NOTE - The Free Cooling setpoint for Title 24 applications must be set based on the Climate Zone where the system is installed. See Section 140.4 "Prescriptive Requirements for Space Conditioning Systems" of the California Energy Commission's 2019 Building Energy Efficiency Standards.

NOTE - Refer to Installation Instructions for complete setup information.

Differential Sensible Control

- Factory setting
- Uses outdoor air and return air sensors that are furnished with the unit
- The Lennox® CORE Lite unit controller compares outdoor air temperature with return air
- When the outdoor air is below the configured setpoint and cooler than return air, the controller activates the Economizer

ECONOMIZER (continued)

Factory or Field Installed

NOTE - Differential Sensible Control can be configured in the field to provide Offset Differential Sensible Control or Single Sensible Control.

NOTE - In Offset Differential Sensible Control mode, the Economizer is enabled if the temperature differential (offset) between outdoor air and return air reaches the configured setpoint. In Single Sensible Control mode, the Economizer is enabled when outdoor air temperature falls below the configured setpoint.

Single Enthalpy Control (Not for Title 24)

- Outdoor air enthalpy sensor enables Economizer if the outdoor enthalpy is less than the setpoint of the control

Field Installed

Differential Enthalpy Control (Not for Title 24)

- Order two Single Enthalpy Controls
- One is field installed in the return air section
- One is installed in the outdoor air section
- Allows the Economizer control to select between outdoor air or return air, whichever has lower enthalpy

EXHAUST

Factory or Field Installed

- 13** **Downflow Barometric Relief Dampers**
- Allow relief of excess air
 - Aluminum blade dampers prevent blow back and outdoor air infiltration during off cycle
 - Exhaust hood is factory installed when dampers are factory installed with Economizer
 - Exhaust hood is furnished with dampers when ordered for field installation
 - Bird screen furnished

Field Installed

- 14** **Power Exhaust Fans**
- Install internal to unit for downflow applications only with Economizer option
 - Provides exhaust air pressure relief
 - Interlocked to run when supply air blower is operating
 - Fans run when outdoor air dampers are 50% open (adjustable)
 - Motor is overload protected
 - Dual propeller type fans are 20 in. diameter
 - Five blades
 - Two 1/3 HP motors
 - SCCR rated

NOTE - Requires Economizer with furnished Outdoor Air Hood and Downflow Barometric Relief Dampers.

NOTE - All models are equipped with 2-stage power exhaust fans. Power exhaust operates in 1st stage (one fan) up to 70% of supply air blower speed. Both exhaust fans operate in 2nd stage when supply air blower speed is above 70% (adjustable) of full speed.

Horizontal Barometric Relief Dampers

- For use when unit is configured for horizontal applications requiring an Economizer
- Allows relief of excess air
- Aluminum blade dampers prevent blow back and outdoor air infiltration during off cycle
- Field installed in return air duct
- Bird screen and hood furnished

OPTIONS / ACCESSORIES

OUTDOOR AIR

Field Installed

Motorized Outdoor Air Damper

- Linked mechanical dampers
- Fully modulating spring return damper motor with plug-in connection
- 0 to 25% (fixed) outdoor air adjustable
- Installs in unit
- Outdoor air hood with bird screen included

Manual Outdoor Air Damper

- Adjustable slide damper
- Installed in unit
- Outdoor air hood with bird screen included

ROOF CURBS

Field Installed

- Nailer strip furnished (downflow only)
- Mates to unit
- US National Roofing Contractors Approved
- Shipped knocked down

Downflow

Hybrid Roof Curbs

- Interlocking tabs fasten corners together
- No tools required for assembly
- Can also be fastened together with furnished hardware
- Available in 8, 14, 18, and 24 inch heights

Adjustable Pitch Curb

- Fully adjustable pitch curbs (3/4 in. per foot in any direction) provide a level platform for rooftop units allowing flexible installations on roofs with uneven or sloped angles
- Interlocking tabs fasten corners together
- No tools required for assembly
- Hardware is furnished to connect upper curb with lower curb
- Available in 14 inch height

Horizontal

- Meet National Roofing Code requirements
- Converts unit from downflow to horizontal (side) air flow
- Return air is on unit
- Supply air is on curb
- See dimension drawings
- Available in 26, 30, 37, and 41 inch heights

NOTE - Requires Horizontal Return Air Panel Kit.

NOTE - Optional Insulation Kit is available to help prevent sweating.

Adaptor Curbs (not shown)

- Curbs are regionally sourced
- Dimensions vary based upon the source

NOTE - Contact your local sales representative for a detailed cut sheet with applicable dimensions.

CEILING DIFFUSERS

Field Installed

Ceiling Diffusers (Flush or Step-Down)

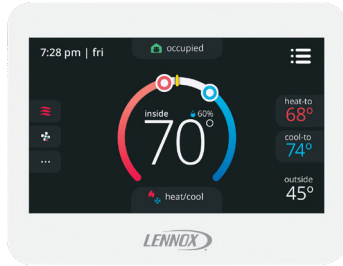
- White powder coat finish on diffuser face and grilles
- Insulated UL listed duct liner
- Diffuser box has collars for duct connection
- Step-down diffusers have double deflection blades
- Flush diffusers have fixed blades
- Provisions for suspending
- Internally sealed to prevent recirculation
- Removable return air grille
- Adapts to T-bar ceiling grids or plaster ceilings

Transitions (Supply and Return)

- Used with diffusers
- Installs in roof curb
- Galvanized steel construction
- Flanges furnished for duct connection to diffusers
- Fully insulated

OPTIONAL CONVENTIONAL TEMPERATURE CONTROL SYSTEMS

CS8500 Commercial 7-Day Programmable Thermostat



- Fully Communicating Sensor
- Full Color Touchscreen Interface
- Variable Speed System Control (On Compatible Units)
- Up To 4 Heat / 4 Cool
- Built-In Sensors For Temperature, Humidity And Optional CO₂
- Remote Sensor Options For Occupancy, Temperature
- BACnet Capable Options
- 5-2 or 7-Day Scheduling
- Smooth Setback Recovery
- Heat/Cool Auto-Changeover
- Four-Wire Installation
- FDD, ASHRAE, IECC Compliant

CS7500 Commercial 7-Day Programmable Thermostat



- Premium Universal Thermostat
- Full Color Touchscreen Interface
- Up To 4 Heat / 3 Cool
- Built-In Sensors For Temperature and Humidity
- Remote Sensors Options For Temperature, Discharge Air, Outdoor Air
- 5-2 or 7-Day Scheduling
- Smooth Setback Recovery
- Heat/Cool Auto-Changeover
- FDD, ASHRAE, IECC Compliant

CS3000 Commercial 5-2 Day Programmable Thermostat



- Conventional Multi-Stage Thermostat
- Intuitive Display
- Push-Button Operation
- Up To 2 Heat / 2 Cool
- Built-In Temperature Sensor
- Remote Temperature Sensing
- Up to 5-2 Day Scheduling
- Smooth Setback Recovery
- Heat/Cool Auto-changeover

Wired Temperature/Humidity Room Sensor (Non-Communicating)



- Terminal blocks for wiring connections
- Five-wire sensor connection
- Off-white plastic enclosure
- Non-adjustable
- Relative humidity range: 0 -100%
- +/- 3% Accuracy

OPTIONAL CONVENTIONAL TEMPERATURE CONTROL SYSTEMS

Description	Order Number
CS8500 Commercial 7 Day Programmable Thermostat	
CS8500 7-Day Thermostat	No CO ₂ Sensing 24K55
	With CO ₂ Sensing 24K53
Sensors/Accessories	¹ Remote non-adjustable wall-mount 10k 47W37
	¹ Remote non-adjustable wall-mount 11k 94L61
Sybus Network Cable (Yellow) for CS8500 and LCS-5030 Wired Room Sensor	
Twisted pair 100% shielded communication cable, Red and Black	500 ft. box 27M19
22 AWG, yellow jacket, rated at 75°C, 300V, Plenum rated	1000 ft. box 94L63
Insulation - Low smoke PVC, NEC, CMP	2500 ft. roll 68M25
CS7500 Commercial 7-Day Programmable Thermostat	
CS7500 7-Day Thermostat	24K41
Sensors/Accessories	² Remote non-adjustable wall-mount 20k 47W36
	² Remote non-adjustable wall-mount 10k 47W37
	Remote non-adjustable discharge air (duct mount) 19L22
	Outdoor temperature sensor X2658
CS3000 Commercial 5-2 Day Programmable Thermostat	
CS3000 5-2 Day Thermostat	11Y05
Sensors/Accessories	Remote non-adjustable wall mount 10k averaging 47W37
	Thermostat wall mounting plate X2659
Universal Thermostat Guard with Lock (clear)	
	Inside Dimensions (H x W x D) 5-7/8 x 8-3/8 x 3 in. 39P21
Temperature/Humidity Room Sensor	
A335MT13AE1 Wired Temperature/Humidity Room Sensor (Non-Communicating)	21W06

¹ Up to nine of the same type remote temperature sensors can be connected in parallel.

² Remote wall-mount sensors can be applied in any of the following combinations:

One Sensor - (1) 47W36, Two Sensors - (2) 47W37, Three Sensors - (2) 47W36 and (1) 47W37

Four Sensors - (4) 47W36, Five Sensors - (3) 47W36 and (2) 47W37

OPTIONS / ACCESSORIES

Item Description	Order Number	Size				
		180	210	240	300	
COOLING SYSTEM						
Condensate Drain Trap	PVC	22H54	X	X	X	X
	Copper	76W27	X	X	X	X
Drain Pan Overflow Switch		21Z07	X	X	X	X
Low Ambient Kits (0°F)		37G59	X	X		
		37G60			X	
		37G63				X
BLOWER - SUPPLY AIR						
Blower Motors	Belt Drive - 3 HP	Factory	O	O		
	Belt Drive - 5 HP	Factory	O	O	O	O
	Belt Drive 7.5 HP	Factory	O	O	O	O
	Belt Drive 10 HP	Factory			O	O
VFD Manual Bypass Kit	3, 5, 7.5 HP VFD Bypass - No Overload	37G64	X	X	X	X
	10 HP - With Overload	37G65			X	X
Drive Kits See Blower Data Tables for usage and selection	Kit #1 535-725 rpm	Factory	O	O		
	Kit #2 710-965 rpm	Factory	O	O		
	Kit #3 685-856 rpm	Factory	O	O	O	O
	Kit #4 850-1045 rpm	Factory	O	O	O	O
	Kit #5 945-1185 rpm	Factory	O	O	O	O
	Kit #6 850-1045 rpm	Factory	O	O	O	O
	Kit #7 945-1185 rpm	Factory	O	O	O	O
	Kit #8 1045-1285 rpm	Factory	O	O	O	O
	Kit #10 1045-1285 rpm	Factory			O	O
	Kit #11 1135-1330 rpm	Factory			O	O
	Blower Belt Auto-Tensioner	24B80	X	X	X	X
CABINET						
Combination Coil/Hail Guards		23U69	OX	OX		
		23U71			OX	OX
Hinged Access Panels		Factory	O	O	O	O
CONTROLS						
BACnet® MS/TP Module		38B35	X	X	X	X
Dirty Filter Switch		53W68	X	X	X	X
Smoke Detector - Supply or Return (Power board and one sensor)		37G73	X	X	X	X
Smoke Detector - Supply and Return (Power board and two sensors)		37G74	X	X	X	X

NOTE - Order numbers shown are for ordering field installed accessories.

OX - Configure To Order (Factory Installed) or Field Installed

O = Configure To Order (Factory Installed)

X = Field Installed

OPTIONS / ACCESSORIES

Item Description	Order Number	Size				
		180	210	240	300	
ELECTRICAL						
Voltage 60 Hz	208/230V - 3 phase	Factory	O	O	O	O
	460V - 3 phase	Factory	O	O	O	O
	575V - 3 phase	Factory	O	O	O	O
Disconnect Switch (see Electric Heat Tables for usage)	80 amp	54W85	OX	OX	OX	OX
	150 amp	54W86	OX	OX	OX	OX
	250 amp	54W87	OX	OX	OX	OX
GFI Service Outlets	15 amp non-powered, field-wired (208/230V, 460V only)	74M70	OX	OX	OX	OX
	¹ 20 amp non-powered, field-wired (208/230V, 460V, 575V)	67E01	X	X	X	X
	¹ 20 amp non-powered, field-wired (575V)	Factory	O	O	O	O
Weatherproof Cover for GFI		10C89	X	X	X	X
ELECTRIC HEAT						
15 kW	208/240V-3ph	30U62	X	X	X	X
	460V-3ph	30U63	X	X	X	X
	575V-3ph	30U64	X	X	X	X
30 kW	208/240V-3ph	30U65	X	X	X	X
	460V-3ph	30U66	X	X	X	X
	575V-3ph	30U67	X	X	X	X
45 kW	208/240V-3ph	30U71	X	X	X	X
	460V-3ph	30U72	X	X	X	X
	575V-3ph	30U73	X	X	X	X
60 kW	208/240V-3ph	30U77	X	X	X	X
	460V-3ph	30U78	X	X	X	X
	575V-3ph	30U79	X	X	X	X
90 kW	208/240V-3ph	30U83		X	X	X
	460V-3ph	30U84		X	X	X
	575V-3ph	30U85		X	X	X

¹ Canada requires a minimum 20 amp circuit. Select 20 amp, non-powered, field wired GFI.

NOTE - Order numbers shown are for ordering field installed accessories.

OX - Configure To Order (Factory Installed) or Field Installed

O = Configure To Order (Factory Installed)

X = Field Installed

OPTIONS / ACCESSORIES

Item Description	Order Number	Size				
		180	210	240	300	
INDOOR AIR QUALITY						
Air Filters						
Healthy Climate® High Efficiency Air Filters 24 x 24 x 2 in. (Order 6 per unit)	MERV 8	54W67	X	X	X	X
	MERV 13	52W40	X	X	X	X
	MERV 16	21U42	X	X	X	X
Replacement Media Filter With Metal Mesh Frame (includes non-pleated filter media)		44N61	X	X	X	X
Indoor Air Quality (CO₂) Sensors						
Sensor - Wall-mount, off-white plastic cover with LCD display		24C58	X	X	X	X
Sensor - Wall-mount, off-white plastic cover, no display		23V86	X	X	X	X
Sensor - Black plastic case, LCD display, rated for plenum mounting		87N52	X	X	X	X
Sensor - Black plastic case, no display, rated for plenum mounting		23V87	X	X	X	X
CO ₂ Sensor Duct Mounting Kit - for downflow applications		23Y47	X	X	X	X
Aspiration Box - for duct mounting non-plenum rated CO ₂ sensors (24C58)		90N43	X	X	X	X
UVC Germicidal Light Kit						
² Healthy Climate® UVC Light Kit (110/230V-1ph)		21A94	X	X	X	X
Step-Down Transformers	460V primary, 230V secondary	10H20	X	X	X	X
	575V primary, 230V secondary	10H21	X	X	X	X
Needlepoint Bipolar Ionization (NPBI)						
Needlepoint Bipolar Ionization (NPBI) Kits		21U37	X	X		
		21U38			X	
		21U39				X
ECONOMIZER						
High Performance Economizer (Approved for California Title 24 Building Standards AMCA Class 1A Certified)						
High Performance Economizer (Downflow or Horizontal) Includes Economizer Dampers with Outdoor Air Hood Downflow Applications - Use furnished Outdoor Air Hood - Order Downflow Barometric Relief Dampers with Exhaust Hood separately Horizontal Applications - Use furnished Outdoor Air Hood - Order Horizontal Barometric Relief Dampers with Exhaust Hood separately		22J18	OX	OX	OX	OX
Economizer Controls						
Differential Enthalpy (Not for Title 24)	Order 2	21Z09	X	X	X	X
Sensible Control	Sensor is Furnished	Factory	O	O	O	O
Single Enthalpy (Not for Title 24)		21Z09	OX	OX	OX	OX
Barometric Relief Dampers With Exhaust Hood						
Downflow Barometric Relief Dampers		54W78	OX	OX	OX	OX
Horizontal Barometric Relief Dampers		16K99	X	X	X	X

² Lamps operate on 110-230V single-phase power supply. Step-down transformer may be ordered separately for 460V and 575V units. Alternately, 110V power supply may be used to directly power the UVC ballast(s).

NOTE - Order numbers shown are for ordering field installed accessories.

OX - Configure To Order (Factory Installed) or Field Installed

O = Configure To Order (Factory Installed)

X = Field Installed

OPTIONS / ACCESSORIES

Item Description	Order Number	Size				
		180	210	240	300	
OUTDOOR AIR						
Outdoor Air Dampers With Outdoor Air Hood						
Motorized	22J27	X	X	X	X	
Manual	13U05	X	X	X	X	
³ POWER EXHAUST (DOWNFLOW APPLICATIONS ONLY)						
Standard Static, SCCR Rated	208/230V	22H90	X	X	X	X
	460V	22H91	X	X	X	X
	575V	22V34	X	X	X	X
ROOF CURBS						
Hybrid Roof Curbs, Downflow						
8 in. height	11F58	X	X	X	X	
14 in. height	11F59	X	X	X	X	
18 in. height	11F60	X	X	X	X	
24 in. height	11F61	X	X	X	X	
Adjustable Pitch Curb						
14 in. height	43W26	X	X	X	X	
Standard Roof Curbs, Horizontal - Requires Horizontal Return Air Panel Kit						
26 in. height - slab applications	11T89	X	X	X		
30 in. height - slab applications	11T90				X	
37 in. height - rooftop applications	11T96	X	X	X		
41 in. height - rooftop applications	11T97				X	
Insulation Kit For Standard Horizontal Curbs						
For 26 in. Curb	73K32	X	X	X		
For 30 in. Curb	73K33				X	
For 37 in. Curb	73K34	X	X	X		
For 41 in. Curb	73K35				X	
Horizontal Return Air Panel Kit						
Required for Horizontal Applications with Roof Curb	87M00	X	X	X	X	
CEILING DIFFUSERS						
Step-Down - Order one	13K63	X				
	13K64		X	X	X	
Flush - Order one	13K58	X				
	13K59		X	X	X	
Transitions (Supply and Return) - Order one	12X68	X				
	12X70		X	X	X	

³ Field installed Power Exhaust requires Economizer with Outdoor Air Hood and Downflow Barometric Relief Dampers with Exhaust Hood. Must be ordered separately.

NOTE - Order numbers shown are for ordering field installed accessories.

OX - Configure To Order (Factory Installed) or Field Installed

O = Configure To Order (Factory Installed)

X = Field Installed

SPECIFICATIONS

Model		LCX180S5M	LCX210S5M	LCX240S5M	LCX300S5M	
Nominal Tonnage		15 Ton	17.5 Ton	20 Ton	25 Ton	
Efficiency Type		Standard	Standard	Standard	Standard	
Blower Type		MSAV® Multi-Stage Air Volume	MSAV® Multi-Stage Air Volume	MSAV® Multi-Stage Air Volume	MSAV® Multi-Stage Air Volume	
Cooling Performance	Gross Cooling Capacity - Btuh	178,000	206,000	236,000	282,000	
	¹ Net Cooling Capacity - Btuh	172,000	200,000	228,000	270,000	
	¹ AHRI Rated Air Flow - cfm	7200	6150	7100	7450	
	Total Unit Power - kW	15.6	18.2	20.7	27	
	¹ IEER (Btuh/Watt)	14.2	14.2	14.2	13.2	
	¹ EER (Btuh/Watt)	11.0	11.0	11.0	10.0	
Sound Rating Number	dBa	86	86	93	94	
Refrigerant Charge	Refrigerant Type	R-454B	R-454B	R-454B	R-454B	
Without Reheat Option	Circuit 1	6 lbs. 11 oz.	6 lbs. 6 oz.	7 lbs. 4 oz.	5 lbs. 15 oz.	
	Circuit 2	5 lbs. 3 oz.	6 lbs. 2 oz.	7 lbs. 2 oz.	5 lbs. 8 oz.	
	Circuit 3	5 lbs. 5 oz.	7 lbs. 13 oz.	6 lbs. 15 oz.	5 lbs. 5 oz.	
	Circuit 4	---	---	---	5 lbs. 6 oz.	
Electric Heat Available, see page 15		15-30-45-60 kW		15-30-45-60-90 kW		
Compressor Type (number)		Scroll (3)	Scroll (3)	Scroll (3)	Scroll (4)	
Outdoor Coils	Net face area - ft. ² (total)	41.1	41.1	55.0	55.0	
	Rows	1	1	1	1	
	Fins - in.	23	23	23	23	
Outdoor Coil Fans	Motor HP (number and type)	1/3 (3 PSC)	1/3 (3 PSC)	1/3 (4 PSC)	1/3 (6 PSC)	
	Rpm	1075	1075	1075	1075	
	Watts	1100	1100	1665	1950	
	Diameter - (No.) in.	(3) 24	(3) 24	(4) 24	(6) 24	
	Blades	3	3	3	3	
	Total Air volume - cfm	12,000	12,000	16,000	20,000	
Indoor Coils	Net face area - ft. ² (total)	21.4	21.4	21.4	21.4	
	Tube diameter - in.	3/8	3/8	3/8	3/8	
	Rows	3	4	4	4	
	Fins - in.	14	14	14	14	
	Condensate drain size (NPT) - in.	(1) 1	(1) 1	(1) 1	(1) 1	
	Expansion device type	Balanced Port Thermostatic Expansion Valve, removable element head				
² Indoor Blower and Drive Selection	Nominal motor HP	3, 5, 7.5		5, 7.5, 10		
	Maximum usable motor HP (US)	3.45, 5.75, 8.62		5.75, 8.62, 11.5		
	Motor - Drive kit number	3 HP Kit 1 535-725 rpm Kit 2 710-965 rpm		5 HP Kit 3 685-856 rpm Kit 4 850-1045 rpm Kit 5 945-1185 rpm		
		5 HP Kit 3 685-856 rpm Kit 4 850-1045 rpm Kit 5 945-1185 rpm		7.5 HP Kit 6 850-1045 rpm Kit 7 945-1185 rpm Kit 8 1045-1285 rpm		
		7.5 HP Kit 6 850-1045 rpm Kit 7 945-1185 rpm Kit 8 1045-1285 rpm		10 HP Kit 7 945-1185 rpm Kit 10 1045-1285 rpm Kit 11 1135-1330 rpm		
	Wheel (Number) diameter x width - in.	(2) 15 x 15				
	Filters	Type of filter	MERV 4, Disposable			
		Number and size - in.	(6) 24 x 24 x 2			
	Line voltage data (Volts-Phase-Hz)		208/230-3-60 460-3-60 575-3-60			

NOTE - Net capacity includes evaporator blower motor heat deduction. Gross capacity does not include evaporator blower motor heat deduction.

¹ AHRI Certified to AHRI Standard 340/360; 95°F outdoor air temperature and 80°F db/67°F wb entering evaporator air; minimum external duct static pressure.

² Using total air volume and system static pressure requirements determine from blower performance tables rpm and motor output required. Maximum usable output of motors furnished are shown. In Canada, nominal motor output is also maximum usable motor output. If motors of comparable output are used, be sure to keep within the service factor limitations outlined on the motor nameplate.

NOTE - Motor service factor limit - 1.0.

RATINGS

NOTE - For Temperatures and Capacities not shown in tables, see bulletin - Cooling Unit Rating Table Correction Factor Data in Miscellaneous Engineering Data section.

15 TON - LCX180S5M (PART LOAD)

Entering Wet Bulb Temperature	Total Air Volume	Outdoor Air Temperature Entering Outdoor Coil																			
		65°F					75°F					85°F					95°F				
		Total Cool Cap.	Comp. Motor Input	Sensible To Total Ratio (S/T)			Total Cool Cap.	Comp. Motor Input	Sensible To Total Ratio (S/T)			Total Cool Cap.	Comp. Motor Input	Sensible To Total Ratio (S/T)			Total Cool Cap.	Comp. Motor Input	Sensible To Total Ratio (S/T)		
				Dry Bulb					Dry Bulb					Dry Bulb					Dry Bulb		
cfm	kBtuh	kW	75°F	80°F	85°F	kBtuh	kW	75°F	80°F	85°F	kBtuh	kW	75°F	80°F	85°F	kBtuh	kW	75°F	80°F	85°F	
63°F	3500	120.2	4.95	0.76	0.85	0.95	113.2	5.79	0.77	0.86	0.96	106.7	6.65	0.77	0.87	0.97	100.3	7.55	0.77	0.88	0.97
	4000	124.1	4.96	0.78	0.88	0.97	117.6	5.81	0.78	0.89	0.98	111	6.66	0.79	0.9	0.98	104.2	7.57	0.79	0.91	0.99
	4500	128	4.98	0.8	0.9	0.98	121.4	5.82	0.8	0.91	0.99	114.5	6.67	0.81	0.93	1	107.5	7.58	0.81	0.94	1
67°F	3500	125.7	4.97	0.66	0.75	0.83	119.3	5.82	0.65	0.75	0.83	112.8	6.67	0.65	0.75	0.84	105.7	7.57	0.65	0.75	0.86
	4000	130.6	4.98	0.67	0.76	0.85	124	5.83	0.66	0.77	0.86	117.1	6.68	0.66	0.77	0.88	109.3	7.58	0.66	0.78	0.88
	4500	134.5	4.99	0.68	0.78	0.88	127.7	5.84	0.68	0.79	0.89	120.6	6.69	0.67	0.79	0.9	112.8	7.6	0.67	0.8	0.92
71°F	3500	132.2	4.99	0.55	0.64	0.73	125.7	5.83	0.54	0.64	0.73	118.9	6.69	0.53	0.64	0.74	111.7	7.59	0.53	0.64	0.74
	4000	136.9	5	0.55	0.66	0.75	130.1	5.85	0.55	0.66	0.75	122.9	6.7	0.54	0.65	0.76	115	7.61	0.54	0.65	0.76
	4500	140.7	5.01	0.56	0.67	0.77	134	5.86	0.56	0.67	0.77	126.3	6.71	0.55	0.67	0.78	119.6	7.62	0.54	0.66	0.78

15 TON - LCX180S5M (FULL LOAD)

Entering Wet Bulb Temperature	Total Air Volume	Outdoor Air Temperature Entering Outdoor Coil																			
		85°F					95°F					105°F					115°F				
		Total Cool Cap.	Comp. Motor Input	Sensible To Total Ratio (S/T)			Total Cool Cap.	Comp. Motor Input	Sensible To Total Ratio (S/T)			Total Cool Cap.	Comp. Motor Input	Sensible To Total Ratio (S/T)			Total Cool Cap.	Comp. Motor Input	Sensible To Total Ratio (S/T)		
				Dry Bulb					Dry Bulb					Dry Bulb					Dry Bulb		
cfm	kBtuh	kW	75°F	80°F	85°F	kBtuh	kW	75°F	80°F	85°F	kBtuh	kW	75°F	80°F	85°F	kBtuh	kW	75°F	80°F	85°F	
63°F	4800	169.2	9.86	0.71	0.86	0.99	158.5	11.19	0.72	0.87	1	146.9	12.64	0.73	0.89	1	134.6	14.29	0.74	0.92	1
	6000	178.3	9.9	0.77	0.93	1	166.2	11.22	0.78	0.95	1	154.2	12.67	0.79	0.98	1	142.6	14.33	0.81	1	1
	7200	185.8	9.92	0.82	0.99	1	174.2	11.25	0.83	1	1	162.8	12.71	0.86	1	1	150.9	14.36	0.88	1	1
67°F	4800	181	9.91	0.55	0.69	0.82	169.1	11.23	0.55	0.7	0.84	157.5	12.69	0.55	0.7	0.86	144.9	14.34	0.55	0.72	0.88
	6000	189.9	9.94	0.59	0.74	0.9	177.9	11.27	0.59	0.76	0.92	165.1	12.72	0.59	0.77	0.94	152.1	14.36	0.59	0.79	0.97
	7200	196.7	9.96	0.62	0.8	0.96	183.6	11.29	0.62	0.82	0.99	170.5	12.74	0.63	0.84	1	156.6	14.38	0.64	0.86	1
71°F	4800	192.4	9.95	0.41	0.54	0.67	180.7	11.28	0.4	0.54	0.67	167.5	12.73	0.39	0.54	0.68	154.9	14.37	0.37	0.54	0.7
	6000	201.5	9.98	0.42	0.58	0.72	189	11.31	0.41	0.58	0.74	176.2	12.76	0.4	0.58	0.75	162.3	14.4	0.4	0.59	0.77
	7200	208.3	10	0.43	0.61	0.78	195.4	11.33	0.43	0.62	0.8	181.7	12.78	0.42	0.63	0.82	167.8	14.42	0.42	0.64	0.84

17.5 TON - LCX210S5M (PART LOAD)

Entering Wet Bulb Temperature	Total Air Volume	Outdoor Air Temperature Entering Outdoor Coil																			
		65°F					75°F					85°F					95°F				
		Total Cool Cap.	Comp. Motor Input	Sensible To Total Ratio (S/T)			Total Cool Cap.	Comp. Motor Input	Sensible To Total Ratio (S/T)			Total Cool Cap.	Comp. Motor Input	Sensible To Total Ratio (S/T)			Total Cool Cap.	Comp. Motor Input	Sensible To Total Ratio (S/T)		
				Dry Bulb					Dry Bulb					Dry Bulb					Dry Bulb		
cfm	kBtuh	kW	75°F	80°F	85°F	kBtuh	kW	75°F	80°F	85°F	kBtuh	kW	75°F	80°F	85°F	kBtuh	kW	75°F	80°F	85°F	
63°F	4000	153.4	6.42	0.79	0.87	0.96	146.7	7.31	0.79	0.88	0.97	140.1	8.31	0.8	0.89	0.97	131.8	9.41	0.8	0.9	0.98
	4750	160.5	6.49	0.81	0.9	0.98	153.3	7.39	0.81	0.91	0.99	145.3	8.37	0.82	0.93	0.99	138	9.49	0.83	0.94	1
	5500	165.9	6.55	0.83	0.94	1	158.6	7.45	0.84	0.95	1	150.2	8.44	0.84	0.96	1	142.3	9.55	0.86	0.97	1
67°F	4000	161.7	6.51	0.69	0.77	0.85	154.7	7.41	0.69	0.77	0.86	147.2	8.4	0.69	0.78	0.87	139.1	9.51	0.69	0.79	0.88
	4750	169	6.59	0.7	0.79	0.88	161.4	7.49	0.7	0.8	0.89	153.4	8.48	0.7	0.8	0.91	144.8	9.59	0.71	0.81	0.92
	5500	174.7	6.65	0.71	0.81	0.91	165.9	7.54	0.72	0.82	0.93	158.3	8.55	0.72	0.83	0.94	149.4	9.66	0.72	0.84	0.96
71°F	4000	169.5	6.59	0.59	0.68	0.75	162.5	7.5	0.59	0.68	0.76	154	8.49	0.59	0.68	0.76	146	9.61	0.58	0.68	0.77
	4750	177.3	6.68	0.6	0.69	0.78	168.7	7.58	0.6	0.69	0.78	160.7	8.58	0.59	0.69	0.79	152.6	9.71	0.59	0.7	0.8
	5500	182.7	6.75	0.6	0.7	0.8	174.1	7.65	0.6	0.71	0.81	165.5	8.65	0.6	0.71	0.82	156.7	9.77	0.6	0.72	0.83

17.5 TON - LCX210S5M (FULL LOAD)

Entering Wet Bulb Temperature	Total Air Volume	Outdoor Air Temperature Entering Outdoor Coil																			
		85°F					95°F					105°F					115°F				
		Total Cool Cap.	Comp. Motor Input	Sensible To Total Ratio (S/T)			Total Cool Cap.	Comp. Motor Input	Sensible To Total Ratio (S/T)			Total Cool Cap.	Comp. Motor Input	Sensible To Total Ratio (S/T)			Total Cool Cap.	Comp. Motor Input	Sensible To Total Ratio (S/T)		
				Dry Bulb					Dry Bulb					Dry Bulb					Dry Bulb		
cfm	kBtuh	kW	75°F	80°F	85°F	kBtuh	kW	75°F	80°F	85°F	kBtuh	kW	75°F	80°F	85°F	kBtuh	kW	75°F	80°F	85°F	
63°F	5600	210.4	12.57	0.72	0.86	0.99	200	14.27	0.72	0.87	1	186.4	16.17	0.74	0.9	1	174.5	18.41	0.75	0.92	1
	7000	221	12.73	0.77	0.94	1	209.3	14.41	0.78	0.95	1	196.1	16.33	0.8	0.98	1	183.9	18.58	0.82	1	1
	8400	231.1	12.88	0.83	0.99	1	218.5	14.56	0.84	1	1	206.5	16.51	0.87	1	1	193.7	18.76	0.89	1	1
67°F	5600	224.8	12.78	0.56	0.69	0.82	212.7	14.47	0.56	0.7	0.84	199.6	16.38	0.57	0.71	0.86	186.4	18.62	0.57	0.73	0.89
	7000	234.4	12.93	0.59	0.75	0.9	222	14.62	0.6	0.76	0.93	208.4	16.54	0.61	0.78	0.95	193.8	18.76	0.61	0.8	0.98
	8400	242.1	13.05	0.63	0.81	0.97	228.4	14.73	0.64	0.83	0.99	214.1	16.65	0.65	0.85	1	199.3	18.85	0.66	0.87	1
71°F	5600	238.7	12.99	0.42	0.55	0.67	226.3	14.69	0.41	0.55	0.68	212.3	16.61	0.41	0.55	0.69	198.3	18.83	0.4	0.56	0.71
	7000	248.9	13.16	0.43	0.59	0.73	235.3	14.85	0.43	0.59	0.74	221.1	16.77	0.43	0.6	0.76	206.5	18.99	0.43	0.61	0.78
	8400	256.4	13.28	0.45	0.62	0.79	242.5	14.97	0.45	0.63	0.81	227.9	16.89	0.45	0.64	0.83	211.9	19.08	0.45	0.65	0.85

RATINGS

NOTE - For Temperatures and Capacities not shown in tables, see bulletin - Cooling Unit Rating Table Correction Factor Data in Miscellaneous Engineering Data section.

20 TON - LCX240S5M (PART LOAD)

Entering Wet Bulb Temperature	Total Air Volume	Outdoor Air Temperature Entering Outdoor Coil																			
		65°F					75°F					85°F					95°F				
		Total Cool Cap.	Comp. Motor Input	Sensible To Total Ratio (S/T)			Total Cool Cap.	Comp. Motor Input	Sensible To Total Ratio (S/T)			Total Cool Cap.	Comp. Motor Input	Sensible To Total Ratio (S/T)			Total Cool Cap.	Comp. Motor Input	Sensible To Total Ratio (S/T)		
				Dry Bulb					Dry Bulb					Dry Bulb					Dry Bulb		
cfm	kBtuh	kW	75°F	80°F	85°F	kBtuh	kW	75°F	80°F	85°F	kBtuh	kW	75°F	80°F	85°F	kBtuh	kW	75°F	80°F	85°F	
63°F	4500	171	6.96	0.79	0.87	0.96	163.6	8.06	0.79	0.88	0.97	156.5	9.23	0.8	0.89	0.98	149.5	10.51	0.8	0.9	0.98
	5500	179.9	6.96	0.81	0.91	0.99	172.1	8.08	0.82	0.92	0.99	163.9	9.27	0.82	0.94	1	156.4	10.56	0.83	0.95	1
	6500	186.6	6.95	0.84	0.95	1	178.5	8.09	0.85	0.96	1	170.2	9.3	0.85	0.97	1	161.7	10.6	0.87	0.98	1
67°F	4500	180.3	6.96	0.69	0.77	0.85	172.9	8.08	0.69	0.77	0.86	164.8	9.28	0.69	0.78	0.87	157.5	10.57	0.69	0.79	0.88
	5500	189.8	6.95	0.7	0.79	0.89	181.8	8.1	0.7	0.8	0.9	172.7	9.32	0.71	0.81	0.91	164.4	10.63	0.71	0.82	0.92
71°F	6500	196.7	6.94	0.72	0.82	0.92	187.8	8.11	0.72	0.83	0.94	179	9.34	0.73	0.84	0.95	169.9	10.66	0.73	0.85	0.96
	4500	189.2	6.95	0.59	0.67	0.75	181.6	8.1	0.58	0.68	0.76	173.1	9.32	0.59	0.68	0.76	165.4	10.64	0.58	0.68	0.77
71°F	5500	199.3	6.94	0.6	0.69	0.78	191	8.11	0.6	0.69	0.79	181.5	9.35	0.6	0.7	0.79	172.7	10.68	0.6	0.7	0.8
	6500	206.1	6.92	0.61	0.71	0.8	197.2	8.12	0.61	0.71	0.81	188.5	9.38	0.61	0.72	0.82	178.9	10.73	0.61	0.72	0.83

20 TON - LCX240S5M (FULL LOAD)

Entering Wet Bulb Temperature	Total Air Volume	Outdoor Air Temperature Entering Outdoor Coil																			
		85°F					95°F					105°F					115°F				
		Total Cool Cap.	Comp. Motor Input	Sensible To Total Ratio (S/T)			Total Cool Cap.	Comp. Motor Input	Sensible To Total Ratio (S/T)			Total Cool Cap.	Comp. Motor Input	Sensible To Total Ratio (S/T)			Total Cool Cap.	Comp. Motor Input	Sensible To Total Ratio (S/T)		
				Dry Bulb					Dry Bulb					Dry Bulb					Dry Bulb		
cfm	kBtuh	kW	75°F	80°F	85°F	kBtuh	kW	75°F	80°F	85°F	kBtuh	kW	75°F	80°F	85°F	kBtuh	kW	75°F	80°F	85°F	
63°F	6400	238.6	14.89	0.71	0.85	0.98	225.8	16.88	0.72	0.87	1	213.7	19.09	0.73	0.89	1	200.8	21.55	0.75	0.91	1
	8000	250.9	14.97	0.77	0.93	1	237.4	17	0.78	0.95	1	224.1	19.22	0.8	0.97	1	211	21.69	0.82	0.99	1
	9600	260.2	15.04	0.82	0.99	1	247.4	17.1	0.84	1	1	235.4	19.36	0.86	1	1	222	21.85	0.88	1	1
67°F	6400	254.3	15	0.56	0.69	0.82	241.8	17.04	0.56	0.7	0.84	228.9	19.28	0.56	0.71	0.86	213.9	21.74	0.57	0.72	0.88
	8000	265.9	15.08	0.59	0.74	0.9	252.1	17.14	0.6	0.76	0.92	238.4	19.39	0.6	0.77	0.94	223.5	21.87	0.61	0.79	0.97
	9600	274.1	15.13	0.62	0.8	0.97	260	17.22	0.63	0.82	0.98	244.7	19.47	0.64	0.84	1	228.9	21.94	0.65	0.86	1
71°F	6400	270.3	15.11	0.42	0.54	0.67	256.8	17.19	0.41	0.54	0.68	243.1	19.45	0.41	0.55	0.69	228.2	21.93	0.4	0.56	0.7
	8000	282	15.18	0.43	0.58	0.72	268.1	17.29	0.43	0.58	0.74	253.4	19.56	0.43	0.59	0.75	237.6	22.05	0.43	0.6	0.77
	9600	290.4	15.24	0.44	0.61	0.78	275.4	17.35	0.44	0.62	0.8	260.3	19.63	0.45	0.63	0.82	243.7	22.12	0.45	0.65	0.84

25 TON - LCX300S5M (PART LOAD)

Entering Wet Bulb Temperature	Total Air Volume	Outdoor Air Temperature Entering Outdoor Coil																			
		65°F					75°F					85°F					95°F				
		Total Cool Cap.	Comp. Motor Input	Sensible To Total Ratio (S/T)			Total Cool Cap.	Comp. Motor Input	Sensible To Total Ratio (S/T)			Total Cool Cap.	Comp. Motor Input	Sensible To Total Ratio (S/T)			Total Cool Cap.	Comp. Motor Input	Sensible To Total Ratio (S/T)		
				Dry Bulb					Dry Bulb					Dry Bulb					Dry Bulb		
cfm	kBtuh	kW	75°F	80°F	85°F	kBtuh	kW	75°F	80°F	85°F	kBtuh	kW	75°F	80°F	85°F	kBtuh	kW	75°F	80°F	85°F	
63°F	5750	166.6	6.25	0.77	0.92	1	159	7.15	0.78	0.94	1	150.9	8.15	0.79	0.95	1	142.4	9.28	0.8	0.97	1
	6750	172.5	6.29	0.81	0.97	1	164.7	7.2	0.82	0.98	1	156.3	8.2	0.84	0.99	1	148.1	9.33	0.85	1	1
	7750	177.4	6.33	0.84	0.99	1	169.8	7.24	0.86	1	1	161.2	8.25	0.88	1	1	152.6	9.38	0.9	1	1
67°F	5750	176.7	6.32	0.6	0.75	0.89	168.5	7.23	0.61	0.76	0.91	158.9	8.22	0.61	0.78	0.93	149.9	9.35	0.62	0.79	0.95
	6750	181.2	6.36	0.63	0.79	0.94	172.6	7.27	0.63	0.8	0.96	163.1	8.26	0.64	0.82	0.98	153.9	9.4	0.65	0.83	0.99
	7750	185	6.38	0.65	0.83	0.98	175.6	7.29	0.66	0.84	0.99	166.3	8.29	0.66	0.86	1	156.6	9.43	0.67	0.88	1
71°F	5750	185.1	6.38	0.45	0.59	0.73	176	7.29	0.45	0.6	0.74	167.2	8.3	0.45	0.61	0.76	158.2	9.44	0.44	0.61	0.77
	6750	190.4	6.43	0.46	0.62	0.77	181.2	7.34	0.46	0.63	0.78	172.2	8.35	0.46	0.63	0.8	162.4	9.49	0.46	0.64	0.82
	7750	194.9	6.47	0.48	0.64	0.81	185.1	7.38	0.47	0.65	0.82	175.6	8.39	0.47	0.66	0.84	165.2	9.53	0.47	0.67	0.86

25 TON - LCX300S5M (FULL LOAD)

Entering Wet Bulb Temperature	Total Air Volume	Outdoor Air Temperature Entering Outdoor Coil																			
		85°F					95°F					105°F					115°F				
		Total Cool Cap.	Comp. Motor Input	Sensible To Total Ratio (S/T)			Total Cool Cap.	Comp. Motor Input	Sensible To Total Ratio (S/T)			Total Cool Cap.	Comp. Motor Input	Sensible To Total Ratio (S/T)			Total Cool Cap.	Comp. Motor Input	Sensible To Total Ratio (S/T)		
				Dry Bulb					Dry Bulb					Dry Bulb					Dry Bulb		
cfm	kBtuh	kW	75°F	80°F	85°F	kBtuh	kW	75°F	80°F	85°F	kBtuh	kW	75°F	80°F	85°F	kBtuh	kW	75°F	80°F	85°F	
63°F	8000	294.6	17.45	0.7	0.83	0.94	278.2	19.93	0.71	0.85	0.95	262.2	22.71	0.72	0.85	0.97	243.7	25.97	0.73	0.87	0.99
	9500	307.6	17.53	0.75	0.87	0.98	290.3	19.94	0.76	0.89	0.99	272.8	22.69	0.78	0.91	1	254.7	25.91	0.78	0.92	1
	11000	317.2	17.58	0.79	0.91	1	298.8	20.02	0.79	0.93	1	281.3	22.78	0.81	0.95	1	263.6	26.03	0.82	0.97	1
67°F	8000	309.2	17.64	0.53	0.68	0.81	291	19.91	0.54	0.68	0.82	273.3	22.7	0.53	0.69	0.83	254.3	26.19	0.54	0.7	0.84
	9500	319.2	17.69	0.57	0.72	0.85	301.7	20.16	0.57	0.73	0.86	283	22.76	0.57	0.75	0.88	262.5	25.98	0.55	0.77	0.9
	11000	328.7	17.74	0.57	0.76	0.89	309.9	20.19	0.58	0.78	0.91	290.4	22.86	0.58	0.8	0.93	271.1	26.07	0.59	0.8	0.95
71°F	8000	329.8	17.77	0.39	0.52	0.65	311.8	20.21	0.38	0.52	0.65	292.3	22.89	0.38	0.53	0.67	271.7	26.07	0.37	0.52	0.69
	9500	340.7	17.82	0.4	0.55	0.69	321.5	20.31	0.39	0.56	0.71	301.3	23.03	0.39	0.55	0.72	280	26.16	0.39	0.56	0.74
	11000	348.5	17.79	0.41	0.57	0.74	329	20.37	0.41	0.57	0.75	307.9	23.09	0.4	0.58	0.78	285.2	26.22	0.39	0.59	0.79

BLOWER DATA

BLOWER TABLE INCLUDES RESISTANCE FOR BASE UNIT ONLY WITH DRY INDOOR COIL & AIR FILTERS IN PLACE

FOR ALL UNITS ADD:

- 1 - Wet indoor coil air resistance of selected unit.
- 2 - Any factory installed options air resistance (electric heat, economizer, etc.)
- 3 - Any field installed accessories air resistance (electric heat, duct resistance, diffuser, etc.)

Then determine from blower table blower motor output and drive required.

See page 22 for wet coil, option/accessory air resistance data, and factory installed drive kit specifications.
See page 23 for minimum air volume required for use with optional electric heat.

Air Volume cfm	TOTAL STATIC PRESSURE - Inches Water Gauge (Pa)																									
	0.20		0.40		0.60		0.80		1.00		1.20		1.40		1.60		1.80		2.00		2.20		2.40		2.60	
	RPM	BHP	RPM	BHP	RPM	BHP	RPM	BHP	RPM	BHP	RPM	BHP	RPM	BHP	RPM	BHP	RPM	BHP	RPM	BHP	RPM	BHP	RPM	BHP	RPM	BHP
2750	385	0.30	505	0.50	600	0.70	680	0.90	755	1.10	820	1.30	885	1.50	950	1.70	1015	1.90	1080	2.10	1145	2.30	1210	2.50	1275	2.70
3000	395	0.35	515	0.55	610	0.75	685	1.00	760	1.20	825	1.45	890	1.65	955	1.85	1020	2.05	1085	2.25	1150	2.45	1215	2.65	1280	2.85
3250	405	0.40	520	0.60	615	0.85	695	1.10	765	1.30	830	1.60	895	1.85	960	2.10	1025	2.35	1090	2.55	1155	2.75	1220	2.95	1285	3.15
3500	415	0.45	530	0.70	620	0.95	700	1.20	775	1.45	840	1.70	905	2.00	970	2.25	1035	2.45	1100	2.65	1165	2.85	1230	3.05	1295	3.25
3750	425	0.50	540	0.75	630	1.05	710	1.30	780	1.60	845	1.85	905	2.15	970	2.40	1035	2.60	1100	2.80	1165	3.00	1230	3.20	1295	3.40
4000	435	0.55	545	0.85	635	1.10	715	1.40	785	1.70	850	2.00	910	2.30	975	2.55	1040	2.75	1105	2.95	1170	3.15	1235	3.35	1300	3.55
4250	445	0.60	555	0.90	645	1.25	725	1.55	795	1.85	855	2.15	915	2.45	980	2.70	1045	2.90	1110	3.10	1175	3.30	1240	3.50	1305	3.70
4500	455	0.70	565	1.00	655	1.35	730	1.65	800	2.00	865	2.35	925	2.65	990	2.90	1055	3.10	1120	3.30	1185	3.50	1250	3.70	1315	3.90
4750	470	0.75	575	1.10	660	1.45	740	1.80	810	2.15	870	2.50	930	2.85	995	3.10	1060	3.30	1125	3.50	1190	3.70	1255	3.90	1320	4.10
5000	480	0.85	585	1.25	670	1.60	750	1.95	815	2.30	880	2.70	940	3.05	995	3.30	1060	3.50	1125	3.70	1190	3.90	1255	4.10	1320	4.30
5250	495	0.95	595	1.35	680	1.70	755	2.10	825	2.50	890	2.90	945	3.25	1000	3.55	1065	3.75	1130	3.95	1195	4.15	1260	4.35	1325	4.55
5500	505	1.05	605	1.45	690	1.85	765	2.25	835	2.65	895	3.05	955	3.45	1010	3.75	1070	3.95	1135	4.15	1195	4.35	1260	4.55	1325	4.75
5750	520	1.15	615	1.60	700	2.00	775	2.45	840	2.85	905	3.25	960	3.65	1015	4.05	1075	4.25	1135	4.45	1195	4.65	1260	4.85	1325	5.05
6000	530	1.30	630	1.75	710	2.15	785	2.60	850	3.05	910	3.45	970	3.90	1025	4.30	1085	4.50	1145	4.70	1205	4.90	1265	5.10	1330	5.30
6250	545	1.40	640	1.90	720	2.35	795	2.80	860	3.25	920	3.70	975	4.15	1030	4.55	1090	4.75	1150	4.95	1210	5.15	1270	5.35	1335	5.50
6500	560	1.55	650	2.05	730	2.50	805	3.00	870	3.45	930	3.95	985	4.40	1040	4.80	1100	5.00	1160	5.20	1220	5.40	1280	5.60	1340	5.80
6750	570	1.70	665	2.20	745	2.70	815	3.20	880	3.70	940	4.20	995	4.65	1045	5.10	1105	5.30	1165	5.50	1225	5.70	1285	5.90	1345	6.05
7000	585	1.85	675	2.35	755	2.90	825	3.40	890	3.95	950	4.45	1005	4.90	1055	5.35	1115	5.55	1175	5.75	1235	5.95	1295	6.15	1350	6.35
7250	600	2.00	690	2.60	765	3.10	835	3.65	900	4.15	955	4.65	1015	5.05	1065	5.50	1125	5.70	1185	5.90	1245	6.10	1305	6.30	1360	6.50
7500	615	2.20	700	2.75	775	3.30	845	3.85	910	4.45	965	4.95	1020	5.30	1070	5.70	1130	5.90	1190	6.10	1250	6.30	1310	6.50	1365	6.70
7750	630	2.40	715	3.00	790	3.55	855	4.10	920	4.70	975	5.25	1030	5.60	1080	6.00	1140	6.20	1200	6.40	1260	6.60	1320	6.80	1375	7.00
8000	640	2.55	725	3.20	800	3.80	865	4.35	930	4.95	985	5.50	1040	5.85	1090	6.25	1150	6.45	1210	6.65	1270	6.85	1330	7.05	1385	7.25
8250	655	2.80	740	3.40	810	4.00	880	4.65	940	5.25	995	5.85	1050	6.15	1100	6.50	1160	6.70	1220	6.90	1280	7.10	1340	7.30	1395	7.50
8500	670	3.00	750	3.65	825	4.30	890	4.90	950	5.55	1005	6.15	1060	6.45	1110	6.80	1170	7.00	1230	7.20	1290	7.40	1350	7.60	1405	7.80
8750	685	3.25	765	3.90	835	4.55	900	5.20	960	5.85	1015	6.45	1070	6.75	1120	7.10	1180	7.30	1240	7.50	1300	7.70	1360	7.90	1415	8.05
9000	700	3.50	780	4.20	850	4.85	910	5.50	970	6.15	1025	6.80	1080	7.05	1130	7.40	1190	7.60	1250	7.80	1310	8.00	1370	8.20	1425	8.35
9250	715	3.75	790	4.45	860	5.15	925	5.85	985	6.55	1040	7.20	1095	7.45	1145	7.80	1205	8.00	1265	8.20	1325	8.40	1385	8.60	1440	8.75
9500	730	4.00	805	4.75	875	5.45	935	6.15	995	6.90	1050	7.50	1105	7.75	1155	8.10	1215	8.30	1275	8.50	1335	8.70	1395	8.90	1450	9.05
9750	745	4.30	820	5.05	885	5.75	950	6.45	1005	7.20	1060	7.95	1115	8.05	1165	8.40	1225	8.60	1285	8.80	1345	9.00	1405	9.20	1460	9.35
10,000	760	4.60	835	5.40	900	6.15	960	6.85	1015	7.60	1070	8.35	1120	8.45	1170	8.80	1230	9.00	1290	9.20	1350	9.40	1410	9.60	1465	9.75
10,250	775	4.90	845	5.65	910	6.45	970	7.20	1030	8.00	1080	8.75	1135	9.05	1180	9.25	1240	9.45	1300	9.65	1360	9.85	1420	10.05	1475	10.20
10,500	790	5.20	860	6.00	925	6.85	985	7.65	1040	8.40	1095	9.20	1145	9.55	1190	9.75	1250	9.95	1310	10.15	1370	10.35	1430	10.55	1485	10.70
10,750	805	5.55	875	6.40	940	7.25	1000	8.05	1055	8.85	1105	9.65	1155	10.05	1200	10.25	1260	10.45	1320	10.65	1380	10.85	1440	11.05	1495	11.20
11,000	820	5.90	890	6.80	950	7.60	1010	8.45	1065	9.30	1115	10.05	1165	10.45	1210	10.65	1270	10.85	1330	11.05	1390	11.25	1450	11.45	1505	11.60

BLOWER DATA

FACTORY INSTALLED BELT DRIVE KIT SPECIFICATIONS

Nominal HP	Maximum HP	Drive Kit Number	RPM Range
3	3.45	1	535 - 725
3	3.45	2	710 - 965
5	5.75	3	685 - 856
5	5.75	4	850 - 1045
5	5.75	5	945 - 1185
7.5	8.63	6	850 - 1045
7.5	8.63	7	945 - 1185
7.5	8.63	8	1045 - 1285
10	11.50	7	945 - 1185
10	11.50	10	1045 - 1285
10	11.50	11	1135 - 1330

NOTE - Using total air volume and system static pressure requirements determine from blower performance tables rpm and motor output required. Maximum usable output of motors furnished are shown. In Canada, nominal motor output is also maximum usable motor output. If motors of comparable output are used, be sure to keep within the service factor limitations outlined on the motor nameplate.

NOTE - Motor service factor limit - 1.0.

FACTORY INSTALLED OPTIONS/FIELD INSTALLED ACCESSORY AIR RESISTANCE - in w.g.

Air Volume cfm	Wet Indoor Coil		Electric Heat	Economizer	Filters			Horizontal Roof Curb	
	180	210 240 300			MERV 8	MERV 13	MERV 16	180 thru 240	300
2750	.01	.02	---	---	.01	.03	.06	.03	---
3000	.01	.02	---	---	.01	.03	.06	.04	---
3250	.01	.03	---	---	.01	.04	.07	.04	.01
3500	.01	.03	---	---	.01	.04	.08	.05	.01
3750	.01	.03	---	---	.01	.04	.08	.05	.01
4000	.02	.04	---	---	.01	.04	.09	.06	.02
4250	.02	.04	---	---	.01	.05	.10	.07	.02
4500	.02	.05	---	---	.01	.05	.10	.07	.02
4750	.02	.05	---	---	.02	.05	.11	.08	.03
5000	.02	.05	---	---	.02	.06	.12	.08	.03
5250	.02	.06	---	---	.02	.06	.12	.09	.04
5500	.02	.07	---	---	.02	.06	.13	.10	.04
5750	.03	.07	---	---	.02	.07	.14	.11	.05
6000	.03	.08	.01	---	.03	.07	.14	.11	.06
6250	.03	.08	.01	.01	.03	.07	.15	.12	.07
6500	.03	.09	.01	.02	.03	.08	.16	.13	.08
6750	.04	.10	.01	.03	.03	.08	.17	.14	.08
7000	.04	.10	.01	.04	.04	.08	.17	.15	.09
7250	.04	.11	.01	.05	.04	.09	.18	.16	.10
7500	.05	.12	.01	.06	.04	.09	.19	.17	.11
8000	.05	.13	.02	.09	.05	.10	.21	.19	.13
8500	.06	.15	.02	.11	.05	.10	.22	.21	.15
9000	.07	.16	.04	.14	.06	.11	.24	.24	.17
9500	.08	.18	.05	.16	.07	.12	.25	.26	.19
10,000	.08	.20	.06	.19	.07	.12	.27	.29	.21
10,500	.09	.22	.09	.22	.08	.13	.29	.31	.24
11,000	.11	.24	.11	.25	.09	.14	.30	.34	.27

BLOWER DATA

MINIMUM AIR VOLUME REQUIRED FOR USE WITH OPTIONAL ELECTRIC HEAT

Electric Heat kW	Minimum cfm
15	5200
30	5200
45	5200
60	5200
90	6000

POWER EXHAUST FAN PERFORMANCE

Return Air System Static Pressure	Air Volume Exhausted
in. w.g.	cfm
0.00	8630
0.05	8210
0.10	7725
0.15	7110
0.20	6470
0.25	5790
0.30	5060
0.35	4300
0.40	3510
0.45	2690
0.50	1840

CEILING DIFFUSER AIR RESISTANCE - in. w.g.

Air Volume cfm	Step-Down Diffuser						Flush Diffuser	
	RTD11-185S			RTD11-275S			FD11-185S	FD11-275S
	2 Ends Open	1 Side/2 Ends Open	All Ends & Sides Open	2 Ends Open	1 Side/2 Ends Open	All Ends & Sides Open		
5000	.51	.44	.39	---	---	---	.27	---
5200	.56	.48	.42	---	---	---	.30	---
5400	.61	.52	.45	---	---	---	.33	---
5600	.66	.56	.48	---	---	---	.36	---
5800	.71	.59	.51	---	---	---	.39	---
6000	.76	.63	.55	.36	.31	.27	.42	.29
6200	.80	.68	.59	---	---	---	.46	---
6400	.86	.72	.63	---	---	---	.50	---
6500	---	---	---	.42	.36	.31	---	.34
6600	.92	.77	.67	---	---	---	.54	---
6800	.99	.83	.72	---	---	---	.58	---
7000	1.03	.87	.76	.49	.41	.36	.62	.40
7200	1.09	.92	.80	---	---	---	.66	---
7400	1.15	.97	.84	---	---	---	.70	---
7500	---	---	---	.51	.46	.41	---	.45
7600	1.20	1.02	.88	---	---	---	.74	---
8000	---	---	---	.59	.49	.43	---	.50
8500	---	---	---	.69	.58	.50	---	.57
9000	---	---	---	.79	.67	.58	---	.66
9500	---	---	---	.89	.75	.65	---	.74
10,000	---	---	---	1.00	.84	.73	---	.81
10,500	---	---	---	1.10	.92	.80	---	.89
11,000	---	---	---	1.21	1.01	.88	---	.96

CEILING DIFFUSER AIR THROW DATA

Size	Air Volume cfm	¹ Effective Throw Range - ft.		Size	Air Volume cfm	¹ Effective Throw Range - ft.	
		RTD11-185S Step-Down	FD11-185S Flush			RTD11-275S Step-Down	FD11-275S Flush
180	5600	39 - 49	28 - 37	210 240 300	7200	33 - 38	26 - 35
	5800	42 - 51	29 - 38		7400	35 - 40	28 - 37
	6000	44 - 54	40 - 50		7600	36 - 41	29 - 38
	6200	45 - 55	42 - 51		7800	38 - 43	40 - 50
	6400	46 - 55	43 - 52		8000	39 - 44	42 - 51
	6600	47 - 56	45 - 56		8200	41 - 46	43 - 52
					8400	43 - 49	44 - 54
					8600	44 - 50	46 - 57
					8800	47 - 55	48 - 59

¹ Throw is the horizontal or vertical distance an airstream travels on leaving the outlet or diffuser before the maximum velocity is reduced to 50 ft. per minute. Four sides open.

ELECTRICAL/ELECTRIC HEAT DATA

15 TON

Model		LCX180S5								
¹ Voltage - 60Hz		208/230V - 3 Ph			460V - 3 Ph			575V - 3 Ph		
Compressor 1 (Non-Inverter)	Rated Load Amps	13.1			6.6			4.8		
	Locked Rotor Amps	93			60			41		
Compressor 2 (Non-Inverter)	Rated Load Amps	13.1			6.6			4.8		
	Locked Rotor Amps	93			60			41		
Compressor 3 (Non-Inverter)	Rated Load Amps	13.1			6.6			4.8		
	Locked Rotor Amps	93			60			41		
Outdoor Fan Motors (3)	Full Load Amps (3 Non-ECM)	2.4			1.3			1		
	Total	7.2			3.9			3		
Power Exhaust (2) 0.33 HP	Full Load Amps	2.4			1.3			1		
	Total	4.8			2.6			2		
Service Outlet 115V GFI (amps)		15			15			20		
Indoor Blower Motor	HP	3	5	7.5	3	5	7.5	3	5	7.5
	Full Load Amps	10.6	16.7	24.2	4.8	7.6	11	3.9	6.1	9
² Maximum Overcurrent Protection (MOCP)	Unit Only	70	80	100	35	40	45	25	30	35
	With (2) 0.33 HP Power Exhaust	70	80	100	35	40	50	25	30	35
³ Minimum Circuit Ampacity (MCA)	Unit Only	61	68	77	31	34	38	23	26	29
	With (2) 0.33 HP Power Exhaust	66	73	82	33	36	41	25	28	31

ELECTRIC HEAT DATA

Electric Heat Voltage			208V	240V	208V	240V	208V	240V	480V	480V	480V	600V	600V	600V
² Maximum Overcurrent Protection (MOCP)	Unit+ Electric Heat	15 kW	70	70	80	80	100	100	35	40	45	25	30	35
		30 kW	100	110	100	125	110	125	60	60	60	45	45	50
		45 kW	150	150	150	175	150	175	80	80	90	60	70	70
		60 kW	150	175	150	175	175	175	80	90	90	70	70	70
³ Minimum Circuit Ampacity (MCA)	Unit+ Electric Heat	15 kW	61	61	68	68	77	77	31	34	38	23	26	30
		30 kW	92	104	100	112	109	121	52	55	59	41	44	48
		45 kW	131	149	139	157	148	166	74	78	82	60	62	66
		60 kW	139	158	146	166	156	175	79	82	86	63	66	69
² Maximum Overcurrent Protection (MOCP)	Unit+ Electric Heat and (2) 0.33 HP Power Exhaust	15 kW	70	70	80	80	100	100	35	40	50	30	30	35
		30 kW	100	110	110	125	125	150	60	60	70	45	50	50
		45 kW	150	175	150	175	175	175	80	90	90	70	70	70
		60 kW	150	175	175	175	175	200	90	90	90	70	70	80
³ Minimum Circuit Ampacity (MCA)	Unit+ Electric Heat and (2) 0.33 HP Power Exhaust	15 kW	66	66	73	73	82	82	33	36	41	26	29	32
		30 kW	98	110	106	118	115	127	55	58	63	44	47	50
		45 kW	137	155	145	163	154	172	77	81	85	62	65	68
		60 kW	145	164	152	172	162	181	82	85	90	66	68	72

NOTE - All units have a minimum Short Circuit Current Rating (SCCR) of 5000 amps.

¹ Extremes of operating range are plus and minus 10% of line voltage.

² HACR type breaker or fuse.

³ Refer to National or Canadian Electrical Code manual to determine wire, fuse and disconnect size requirements.

ELECTRICAL/ELECTRIC HEAT DATA

17.5 TON

Model		LCX210S5								
¹ Voltage - 60Hz		208/230V - 3 Ph			460V - 3 Ph			575V - 3 Ph		
Compressor 1 (Non-Inverter)	Rated Load Amps	21.2			9.1			7.7		
	Locked Rotor Amps	156.5			74.8			47.8		
Compressor 2 (Non-Inverter)	Rated Load Amps	21.2			9.1			7.7		
	Locked Rotor Amps	156.5			74.8			47.8		
Compressor 3 (Non-Inverter)	Rated Load Amps	21.2			9.1			7.7		
	Locked Rotor Amps	156.5			74.8			47.8		
Outdoor Fan Motors (3)	Full Load Amps (3 Non-ECM)	2.4			1.3			1		
	Total	7.2			3.9			3		
Power Exhaust (2) 0.33 HP	Full Load Amps	2.4			1.3			1		
	Total	4.8			2.6			2		
Service Outlet 115V GFI (amps)		15			15			20		
Indoor Blower Motor	HP	3	5	7.5	3	5	7.5	3	5	7.5
	Full Load Amps	10.6	16.7	24.2	4.8	7.6	11	3.9	6.1	9
² Maximum Overcurrent Protection (MOCP)	Unit Only	100	110	125	45	50	50	35	40	45
	With (2) 0.33 HP Power Exhaust	110	110	125	45	50	50	40	40	45
³ Minimum Circuit Ampacity	Unit Only	87	93	102	39	42	45	32	35	38
	With (2) 0.33 HP Power Exhaust	92	98	106	41	44	48	34	37	40

ELECTRIC HEAT DATA

Electric Heat Voltage			208V	240V	208V	240V	208V	240V	480V	480V	480V	600V	600V	600V
² Maximum Overcurrent Protection (MOCP)	Unit+ Electric Heat	15 kW	100	100	110	110	125	125	45	50	50	35	40	45
		30 kW	100	110	110	125	125	125	60	60	60	45	45	50
		45 kW	150	150	150	175	150	175	80	80	90	60	70	70
		60 kW	150	175	150	175	175	175	80	90	90	70	70	70
		90 kW	225	250	225	250	225	250	125	125	125	100	100	100
³ Minimum Circuit Ampacity (MCA)	Unit+ Electric Heat	15 kW	87	87	93	93	102	102	39	42	45	32	35	38
		30 kW	92	104	100	112	109	121	52	55	59	41	44	48
		45 kW	131	149	139	157	148	166	74	78	82	60	62	66
		60 kW	139	158	146	166	156	175	79	82	86	63	66	69
		90 kW	201	230	209	238	218	247	115	118	123	92	95	98
² Maximum Overcurrent Protection (MOCP) and (2) 0.33 HP Power Exhaust	Unit+ Electric Heat	15 kW	110	110	110	110	125	125	45	50	50	40	40	45
		30 kW	110	110	110	125	125	150	60	60	70	45	50	50
		45 kW	150	175	150	175	175	175	80	90	90	70	70	70
		60 kW	150	175	175	175	175	200	90	90	90	70	70	80
		90 kW	225	250	225	250	225	300	125	125	150	100	100	110
³ Minimum Circuit Ampacity (MCA) and (2) 0.33 HP Power Exhaust	Unit+ Electric Heat	15 kW	92	92	98	98	106	106	41	44	48	34	37	40
		30 kW	98	110	106	118	115	127	55	58	63	44	47	50
		45 kW	137	155	145	163	154	172	77	81	85	62	65	68
		60 kW	145	164	152	172	162	181	82	85	90	66	68	72
		90 kW	207	236	215	244	224	253	118	122	126	94	97	101

NOTE - All units have a minimum Short Circuit Current Rating (SCCR) of 5000 amps.

¹ Extremes of operating range are plus and minus 10% of line voltage.

² HACR type breaker or fuse.

³ Refer to National or Canadian Electrical Code manual to determine wire, fuse and disconnect size requirements.

ELECTRICAL/ELECTRIC HEAT DATA

20 TON

Model		LCX240S5								
		208/230V - 3 Ph			460V - 3 Ph			575V - 3 Ph		
¹ Voltage - 60Hz		208/230V - 3 Ph			460V - 3 Ph			575V - 3 Ph		
Compressor 1 (Non-Inverter)	Rated Load Amps	22.4			9.1			7.2		
	Locked Rotor Amps	166.2			74.6			54		
Compressor 2 (Non-Inverter)	Rated Load Amps	22.4			9.1			7.2		
	Locked Rotor Amps	166.2			74.6			54		
Compressor 3 (Non-Inverter)	Rated Load Amps	24.4			11.9			9.4		
	Locked Rotor Amps	210			103			78		
Outdoor Fan Motors (4)	Full Load Amps (4 Non-ECM)	2.4			1.3			1		
	Total	9.6			5.2			4		
Power Exhaust (2) 0.33 HP	Full Load Amps	2.4			1.3			1		
	Total	4.8			2.6			2		
Service Outlet 115V GFI (amps)		15			15			20		
Indoor Blower Motor	HP	5	7.5	10	5	7.5	10	5	7.5	10
	Full Load Amps	16.7	24.2	30.8	7.6	11	14	6.1	9	11
² Maximum Overcurrent Protection (MOCP)	Unit Only	125	125	125	50	60	60	45	45	50
	With (2) 0.33 HP Power Exhaust	125	125	150	60	60	60	45	50	50
³ Minimum Circuit Ampacity (MCA)	Unit Only	102	110	118	46	50	53	37	40	42
	With (2) 0.33 HP Power Exhaust	107	114	123	49	52	56	39	42	44

ELECTRIC HEAT DATA

Electric Heat Voltage			208V	240V	208V	240V	208V	240V	480V	480V	480V	600V	600V	600V
² Maximum Overcurrent Protection (MOCP)	Unit+ Electric Heat	15 kW	125	125	125	125	125	125	50	60	60	45	45	50
		30 kW	125	125	125	125	125	150	60	60	70	45	50	50
		45 kW	150	175	150	175	175	175	80	90	90	70	70	70
		60 kW	150	175	175	175	175	200	90	90	90	70	70	80
		90 kW	225	250	225	250	250	300	125	125	150	100	100	110
³ Minimum Circuit Ampacity (MCA)	Unit+ Electric Heat	15 kW	102	102	110	110	118	118	46	50	53	37	40	42
		30 kW	102	112	110	121	118	129	55	59	63	44	48	50
		45 kW	139	157	148	166	156	174	78	82	86	62	66	68
		60 kW	146	166	156	175	164	183	82	86	90	66	69	72
		90 kW	209	238	218	247	227	256	118	123	126	95	98	101
² Maximum Overcurrent Protection (MOCP)	Unit+ Electric Heat and (2) 0.33 HP Power Exhaust	15 kW	125	125	125	125	150	150	60	60	60	45	50	50
		30 kW	125	125	125	150	150	150	60	70	70	50	50	60
		45 kW	150	175	175	175	175	200	90	90	90	70	70	80
		60 kW	175	175	175	200	175	200	90	90	100	70	80	80
		90 kW	225	250	225	4 300	250	300	125	150	150	100	110	110
³ Minimum Circuit Ampacity (MCA)	Unit+ Electric Heat and (2) 0.33 HP Power Exhaust	15 kW	107	107	114	114	123	123	49	52	56	39	42	44
		30 kW	107	118	115	127	123	135	58	63	66	47	50	53
		45 kW	145	163	154	172	162	180	81	85	89	65	68	71
		60 kW	152	172	162	181	170	189	85	90	93	68	72	74
		90 kW	215	244	224	253	233	262	122	126	130	97	101	103

NOTE - All units have a minimum Short Circuit Current Rating (SCCR) of 5000 amps.

¹ Extremes of operating range are plus and minus 10% of line voltage.

² HACR type breaker or fuse.

³ Refer to National or Canadian Electrical Code manual to determine wire, fuse and disconnect size requirements.

ELECTRICAL/ELECTRIC HEAT DATA

25 TON

Model		LCX300S5								
¹ Voltage - 60Hz		208/230V - 3 Ph			460V - 3 Ph			575V - 3 Ph		
Compressor 1 (Non-Inverter)	Rated Load Amps	21.2			9.1			7.7		
	Locked Rotor Amps	156.5			74.8			47.8		
Compressor 2 (Non-Inverter)	Rated Load Amps	21.2			9.1			7.7		
	Locked Rotor Amps	156.5			74.8			47.8		
Compressor 3 (Non-Inverter)	Rated Load Amps	22.4			9.1			7.2		
	Locked Rotor Amps	166.2			74.6			54		
Compressor 4 (Non-Inverter)	Rated Load Amps	22.4			9.1			7.2		
	Locked Rotor Amps	166.2			74.6			54		
Outdoor Fan Motors (6)	Full Load Amps (6 Non-ECM)	2.4			1.3			1		
	Total	14.4			7.8			6		
Power Exhaust (2) 0.33 HP	Full Load Amps	2.4			1.3			1		
	Total	4.8			2.6			2		
Service Outlet 115V GFI (amps)		15			15			20		
Indoor Blower Motor	HP	5	7.5	10	5	7.5	10	5	7.5	10
	Full Load Amps	16.7	24.2	30.8	7.6	11	14	6.1	9	11
² Maximum Overcurrent Protection (MOCP)	Unit Only	125	150	150	60	60	70	50	50	60
	With (2) 0.33 HP Power Exhaust	150	150	175	60	70	70	50	50	60
³ Minimum Circuit Ampacity (MCA)	Unit Only	124	132	141	55	58	62	44	48	50
	With (2) 0.33 HP Power Exhaust	129	137	145	57	61	65	46	50	52

ELECTRIC HEAT DATA

Electric Heat Voltage			208V	240V	208V	240V	208V	240V	480V	480V	480V	600V	600V	600V
² Maximum Overcurrent Protection (MOCP)	Unit+ Electric Heat	15 kW	125	125	150	150	150	150	60	60	70	50	50	60
		30 kW	125	125	150	150	150	150	60	60	70	50	50	60
		45 kW	150	175	150	175	175	175	80	90	90	70	70	70
		60 kW	150	175	175	175	175	200	90	90	90	70	70	80
		90 kW	225	250	225	250	250	300	125	125	150	100	100	110
³ Minimum Circuit Ampacity (MCA)	Unit+ Electric Heat	15 kW	124	124	132	132	141	141	55	58	62	44	48	50
		30 kW	124	124	132	132	141	141	55	59	63	44	48	50
		45 kW	139	157	148	166	156	174	78	82	86	62	66	68
		60 kW	146	166	156	175	164	183	82	86	90	66	69	72
		90 kW	209	238	218	247	227	256	118	123	126	95	98	101
² Maximum Overcurrent Protection (MOCP)	Unit+ Electric Heat and (2) 0.33 HP Power Exhaust	15 kW	150	150	150	150	175	175	60	70	70	50	50	60
		30 kW	150	150	150	150	175	175	60	70	70	50	50	60
		45 kW	150	175	175	175	175	200	90	90	90	70	70	80
		60 kW	175	175	175	200	175	200	90	90	100	70	80	80
		90 kW	225	250	225	300	250	300	125	150	150	100	110	110
³ Minimum Circuit Ampacity (MCA)	Unit+ Electric Heat and (2) 0.33 HP Power Exhaust	15 kW	129	129	137	137	145	145	57	61	65	46	50	52
		30 kW	129	129	137	137	145	145	58	63	66	47	50	53
		45 kW	145	163	154	172	162	180	81	85	89	65	68	71
		60 kW	152	172	162	181	170	189	85	90	93	68	72	74
		90 kW	215	244	224	253	233	262	122	126	130	97	101	103

NOTE - All units have a minimum Short Circuit Current Rating (SCCR) of 5000 amps.

¹ Extremes of operating range are plus and minus 10% of line voltage.

² HACR type breaker or fuse.

³ Refer to National or Canadian Electrical Code manual to determine wire, fuse and disconnect size requirements.

ELECTRICAL ACCESSORIES - DISCONNECTS

15 TON | LCX180S5

Motor HP Electric Heat Voltage	3		5		7.5		3	5	7.5	3	5	7.5
	208V	240V	208V	240V	208V	240V	480V	480V	480V	600V	600V	600V
Unit Only	54W85	54W85	54W85	54W85	54W86	54W86	54W85	54W85	54W85	54W85	54W85	54W85
+ Power Exhaust	54W85	54W85	54W85	54W85	54W86	54W86	54W85	54W85	54W85	54W85	54W85	54W85
+ Electric Heat 15 kW	54W85	54W85	54W85	54W85	54W85	54W85	54W85	54W85	54W85	54W85	54W85	54W85
+ Electric Heat 30 kW	54W86	54W86	54W86	54W86	54W86	54W86	54W85	54W85	54W85	54W85	54W85	54W85
+ Electric Heat 45 kW	54W87	54W86	54W87	54W86	54W87	54W87	54W85	54W85	54W85	54W85	54W85	54W85
+ Electric Heat 60 kW	54W87	54W87	54W87	54W87	54W87	54W87	54W86	54W86	54W86	54W85	54W85	54W85
+ Power Exhaust + Elec. Heat 15 kW	54W85	54W85	54W85	54W85	54W86	54W85	54W85	54W85	54W85	54W85	54W85	54W85
+ Power Exhaust + Elec. Heat 30 kW	54W86	54W86	54W86	54W86	54W86	54W86	54W85	54W85	54W85	54W85	54W85	54W85
+ Power Exhaust + Elec. Heat 45 kW	54W87	54W86	54W87	54W86	54W87	54W87	54W85	54W85	54W85	54W85	54W85	54W85
+ Power Exhaust + Elec. Heat 60 kW	54W87	54W87	54W87	54W87	54W87	54W87	54W86	54W86	54W86	54W85	54W85	54W85

17.5 TON | LCX210S5

Motor HP Electric Heat Voltage	3		5		7.5		3	5	7.5	3	5	7.5
	208V	240V	208V	240V	208V	240V	480V	480V	480V	600V	600V	600V
Unit Only	54W85	54W85	54W86	54W86	54W86	54W86	54W85	54W85	54W85	54W85	54W85	54W85
+ Power Exhaust	54W86	54W86	54W86	54W86	54W86	54W86	54W85	54W85	54W85	54W85	54W85	54W85
+ Electric Heat 15 kW	54W85	54W85	54W85	54W85	54W85	54W85	54W85	54W85	54W85	54W85	54W85	54W85
+ Electric Heat 30 kW	54W86	54W86	54W86	54W86	54W86	54W86	54W85	54W85	54W85	54W85	54W85	54W85
+ Electric Heat 45 kW	54W87	54W86	54W87	54W86	54W87	54W87	54W85	54W85	54W85	54W85	54W85	54W85
+ Electric Heat 60 kW	54W87	54W87	54W87	54W87	54W87	54W87	54W86	54W86	54W86	54W85	54W85	54W85
+ Electric Heat 90 kW	¹ NA	¹ NA	¹ NA	¹ NA	¹ NA	¹ NA	54W86	54W86	54W86	54W86	54W86	54W86
+ Power Exhaust + Elec. Heat 15 kW	54W85	54W85	54W85	54W85	54W86	54W85	54W85	54W85	54W85	54W85	54W85	54W85
+ Power Exhaust + Elec. Heat 30 kW	54W86	54W86	54W86	54W86	54W86	54W86	54W85	54W85	54W85	54W85	54W85	54W85
+ Power Exhaust + Elec. Heat 45 kW	54W87	54W86	54W87	54W86	54W87	54W87	54W85	54W85	54W85	54W85	54W85	54W85
+ Power Exhaust + Elec. Heat 60 kW	54W87	54W87	54W87	54W87	54W87	54W87	54W86	54W86	54W86	54W85	54W85	54W85
+ Power Exhaust + Elec. Heat 90 kW	¹ NA	¹ NA	¹ NA	¹ NA	¹ NA	¹ NA	54W86	54W86	54W86	54W86	54W86	54W86

Disconnects - 54W85 - 80A
 54W86 - 150A
 54W87 - 250A

¹ Disconnect must be field furnished.

ELECTRICAL ACCESSORIES - DISCONNECTS

20 TON | LCX240S5

Motor HP Electric Heat Voltage	5		7.5		10		5	7.5	10	5	7.5	10
	208V	240V	208V	240V	208V	240V	480V	480V	480V	600V	600V	600V
Unit Only	54W86	54W86	54W86	54W86	54W86	54W86	54W85	54W85	54W85	54W85	54W85	54W85
+ Power Exhaust	54W86	54W86	54W86	54W86	54W86	54W86	54W85	54W85	54W85	54W85	54W85	54W85
+ Electric Heat 15 kW	54W85	54W85	54W85	54W85	54W86	54W85	54W85	54W85	54W85	54W85	54W85	54W85
+ Electric Heat 30 kW	54W86	54W86	54W86	54W86	54W86	54W86	54W85	54W85	54W85	54W85	54W85	54W85
+ Electric Heat 45 kW	54W87	54W86	54W87	54W87	54W87	54W87	54W85	54W85	54W85	54W85	54W85	54W85
+ Electric Heat 60 kW	54W87	54W87	54W87	54W87	54W87	54W87	54W86	54W86	54W86	54W85	54W85	54W85
+ Electric Heat 90 kW	¹ NA	¹ NA	¹ NA	¹ NA	¹ NA	¹ NA	54W86	54W86	54W86	54W86	54W86	54W86
+ Power Exhaust + Elec. Heat 15 kW	54W85	54W85	54W86	54W85	54W86	54W86	54W85	54W85	54W85	54W85	54W85	54W85
+ Power Exhaust + Elec. Heat 30 kW	54W86	54W86	54W86	54W86	54W86	54W86	54W85	54W85	54W85	54W85	54W85	54W85
+ Power Exhaust + Elec. Heat 45 kW	54W87	54W86	54W87	54W87	54W87	54W87	54W85	54W85	54W86	54W85	54W85	54W85
+ Power Exhaust + Elec. Heat 60 kW	54W87	54W87	54W87	54W87	54W87	54W87	54W86	54W86	54W86	54W85	54W85	54W86
+ Power Exhaust + Elec. Heat 90 kW	¹ NA	¹ NA	¹ NA	¹ NA	¹ NA	¹ NA	54W86	54W86	54W86	54W86	54W86	54W86

25 TON | LCX300S5

Motor HP Electric Heat Voltage	5		7.5		10		5	7.5	10	5	7.5	10
	208V	240V	208V	240V	208V	240V	480V	480V	480V	600V	600V	600V
Unit Only	54W86	54W86	54W86	54W86	54W86	54W86	54W85	54W85	54W85	54W85	54W85	54W85
+ Power Exhaust	54W86	54W86	54W86	54W86	54W87	54W87	54W85	54W85	54W85	54W85	54W85	54W85
+ Electric Heat 15 kW	54W85	54W85	54W85	54W85	54W86	54W85	54W85	54W85	54W85	54W85	54W85	54W85
+ Electric Heat 30 kW	54W86	54W86	54W86	54W86	54W86	54W86	54W85	54W85	54W85	54W85	54W85	54W85
+ Electric Heat 45 kW	54W87	54W86	54W87	54W87	54W87	54W87	54W85	54W85	54W85	54W85	54W85	54W85
+ Electric Heat 60 kW	54W87	54W87	54W87	54W87	54W87	54W87	54W86	54W86	54W86	54W85	54W85	54W85
+ Electric Heat 90 kW	¹ NA	¹ NA	¹ NA	¹ NA	¹ NA	¹ NA	54W86	54W86	54W86	54W86	54W86	54W86
+ Power Exhaust + Elec. Heat 15 kW	54W85	54W85	54W86	54W85	54W86	54W86	54W85	54W85	54W85	54W85	54W85	54W85
+ Power Exhaust + Elec. Heat 30 kW	54W86	54W86	54W86	54W86	54W86	54W86	54W85	54W85	54W85	54W85	54W85	54W85
+ Power Exhaust + Elec. Heat 45 kW	54W87	54W86	54W87	54W87	54W87	54W87	54W85	54W85	54W86	54W85	54W85	54W85
+ Power Exhaust + Elec. Heat 60 kW	54W87	54W87	54W87	54W87	54W87	54W87	54W86	54W86	54W86	54W85	54W85	54W86
+ Power Exhaust + Elec. Heat 90 kW	¹ NA	¹ NA	¹ NA	¹ NA	¹ NA	¹ NA	54W86	54W86	54W86	54W86	54W86	54W86

Disconnects - 54W85 - 80A
 54W86 - 150A
 54W87 - 250A

¹ Disconnect must be field furnished.

FIELD WIRING NOTES

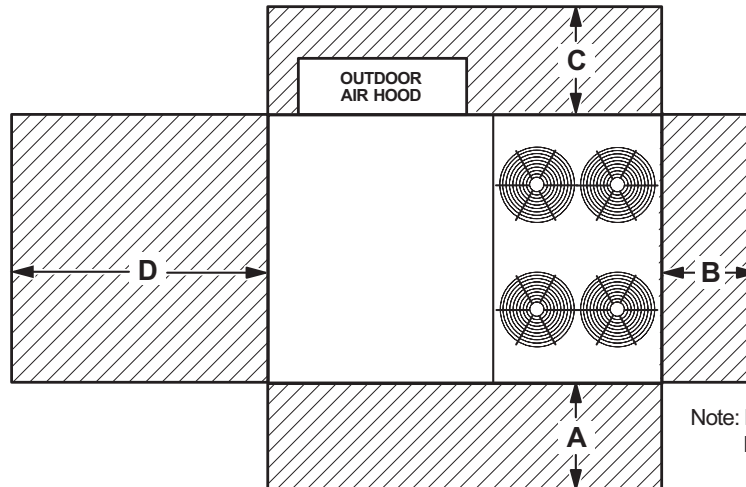
- For use with copper wiring only
- Field wiring not furnished
- All wiring must conform to NEC or CEC and local electrical codes
- For specific wiring information, please refer to the installation instructions

ELECTRIC HEAT CAPACITIES

Volts Input	15 kW			30 kW			45 kW			60 kW			90 kW		
	kW Input	Btuh Output	Stages	kW Input	Btuh Output	Stages	kW Input	Btuh Output	Stages	kW Input	Btuh Output	Stages	kW Input	Btuh Output	Stages
208	11.3	38,600	1	22.5	76,800	1	33.8	115,300	2	45.0	153,600	2	67.6	230,700	2
220	12.6	43,000	1	25.2	86,000	1	37.8	129,000	2	50.4	172,000	2	75.6	258,000	2
230	13.8	47,100	1	27.5	93,900	1	41.3	141,000	2	55.1	188,000	2	82.7	282,200	2
240	15.0	51,200	1	30.0	102,400	1	45.0	153,600	2	60.0	204,800	2	90.0	307,100	2
440	12.6	43,000	1	25.2	86,000	1	37.8	129,000	2	50.4	172,000	2	75.6	258,000	2
460	13.8	47,100	1	27.5	93,900	1	41.3	141,000	2	55.1	188,000	2	82.7	282,200	2
480	15.0	51,200	1	30.0	102,400	1	45.0	153,600	2	60.0	204,800	2	90.0	307,100	2
550	12.6	43,000	1	25.2	86,000	1	37.8	129,000	2	50.4	172,000	2	75.6	258,000	2
575	13.8	47,100	1	27.5	93,900	1	41.3	141,000	2	55.1	188,000	2	82.7	282,200	2
600	15.0	51,200	1	30.0	102,400	1	45.0	153,600	2	60.0	204,800	2	90.0	307,100	2

UNIT CLEARANCES

Unit With Economizer



Note: Models with four outdoor fans shown.
Dimension clearances are for all sizes.

¹ Unit Clearance	A		B		C		D		Top Clearance
	in.	mm	in.	mm	in.	mm	in.	mm	
Service Clearance	60	1524	36	914	36	914	66	1676	Unobstructed
Minimum Operation Clearance	45	1143	36	914	36	914	41	1041	

NOTE - Entire perimeter of unit base requires support when elevated above the mounting surface.

¹ Service Clearance - Required for removal of serviceable parts.

Minimum Operation Clearance - Required clearance for proper unit operation.

OUTDOOR SOUND DATA

Size	Octave Band Sound Power Levels dBA, re 10 ⁻¹² Watts - Center Frequency - Hz							¹ Sound Rating Number (SRN) (dBA)
	125	250	500	1000	2000	4000	8000	
180, 210	71	78	81	81	76	71	63	86
240	80	83	87	88	84	80	71	93
300	79	84	88	89	85	82	73	94

Note - The octave sound power data does not include tonal corrections.

¹ Sound Rating Number according to AHRI Standard 270-95 (includes pure tone penalty). Sound Rating Number is the overall A-Weighted Sound Power Level, (LWA), dBA (100 Hz to 10,000 Hz).

WEIGHT DATA

Size	Net		Shipping	
	lbs.	kg	lbs.	kg
180S Base Unit	1724	782	1924	873
180S Max. Unit	2044	927	2244	1018
210S Base Unit	1884	855	2084	945
210S Max. Unit	2214	1004	2414	1095
240S Base Unit	2056	933	2256	1023
240S Max. Unit	2386	1082	2586	1173
300S Base Unit	2300	1043	2500	1134
300S Max. Unit	2590	1175	2790	1266

NOTE - Max. Unit is the unit with ALL INTERNAL OPTIONS Installed. (Economizer, Standard Static Power Exhaust Fans, Controls, etc.). Does not include accessories EXTERNAL to unit.

FACTORY / FIELD INSTALLED OPTIONS AND ACCESSORIES - NET WEIGHTS

Description	lbs.	kg	
ECONOMIZER / OUTDOOR AIR / EXHAUST			
Economizer			
Economizer Dampers (with Outdoor Air Hood)	102	46	
Barometric Relief Dampers (downflow)	30	14	
Barometric Relief Dampers (horizontal)	20	9	
Outdoor Air Dampers With Hood (Downflow)			
Motorized	39	18	
Manual	22	10	
Power Exhaust	62	28	
ELECTRIC HEAT			
15 kW	59	27	
30 kW	59	27	
45 kW	76	34	
60 kW	76	34	
90 kW	84	38	
COMBINATION COIL/HAIL GUARDS			
180/210	30	13	
240/300	36	16	
ROOF CURBS			
Hybrid Roof Curbs, Downflow			
8 in. height	136	62	
14 in. height	169	77	
18 in. height	191	87	
24 in. height	224	102	
Adjustable Pitch Curb, Downflow			
14 in. height	224	102	
Horizontal Roof Curbs, Standard			
26 in. height	450	204	
37 in. height	540	245	
30 in. height	495	225	
41 in. height	575	261	
CEILING DIFFUSERS			
Step-Down	RTD11-185S	168	76
	RTD11-275S	238	108
Flush	FD11-185S	168	76
	FD11-275S	238	108
Transitions	C1DIFF33C-1	80	36
	C1DIFF34C-1	75	34

DIMENSIONS - UNIT

LCX180 | LCX210

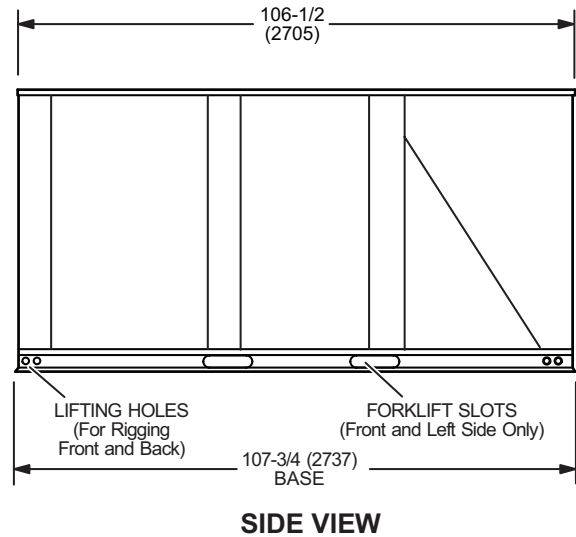
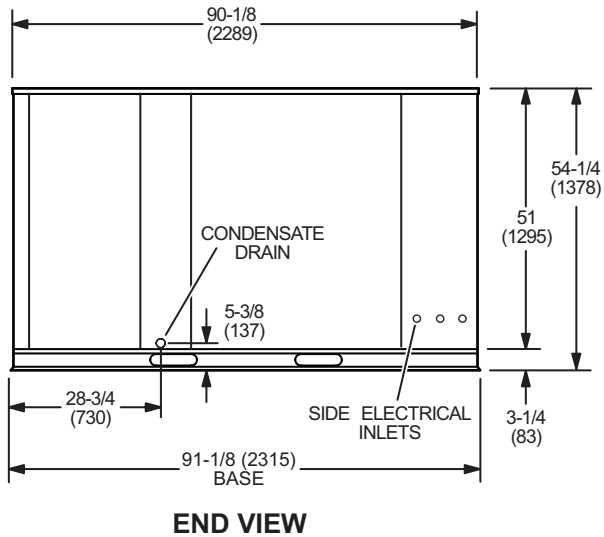
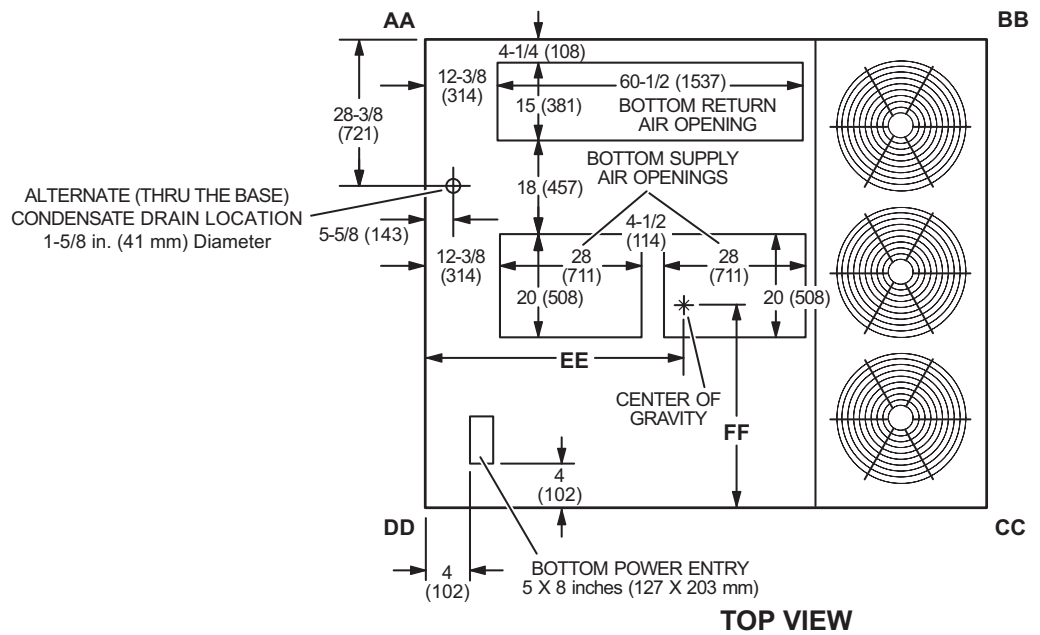
CORNER WEIGHTS

CENTER OF GRAVITY

Model	AA		BB		CC		DD		EE		FF	
	lbs.	kg	lbs.	kg	lbs.	kg	lbs.	kg	in.	mm	in.	mm
LCX180S Base Unit	393	179	346	157	461	210	523	238	50-1/2	1282	39	993
LCX180S Max. Unit	507	231	414	188	505	229	618	281	48-3/8	1230	41	1043
LCX210S Base Uni	431	196	381	173	503	229	569	259	50-1/2	1284	39-1/4	998
LCX210S Max. Unit	555	252	469	213	545	248	645	293	49-3/8	1254	42.14	1071

Base Unit - The unit with NO INTERNAL OPTIONS.

Max. Unit - The unit with ALL INTERNAL OPTIONS Installed. (Economizer, Standard Static Power Exhaust Fans, Controls, etc.). Does not include accessories external to unit.



DIMENSIONS - UNIT

LCX240

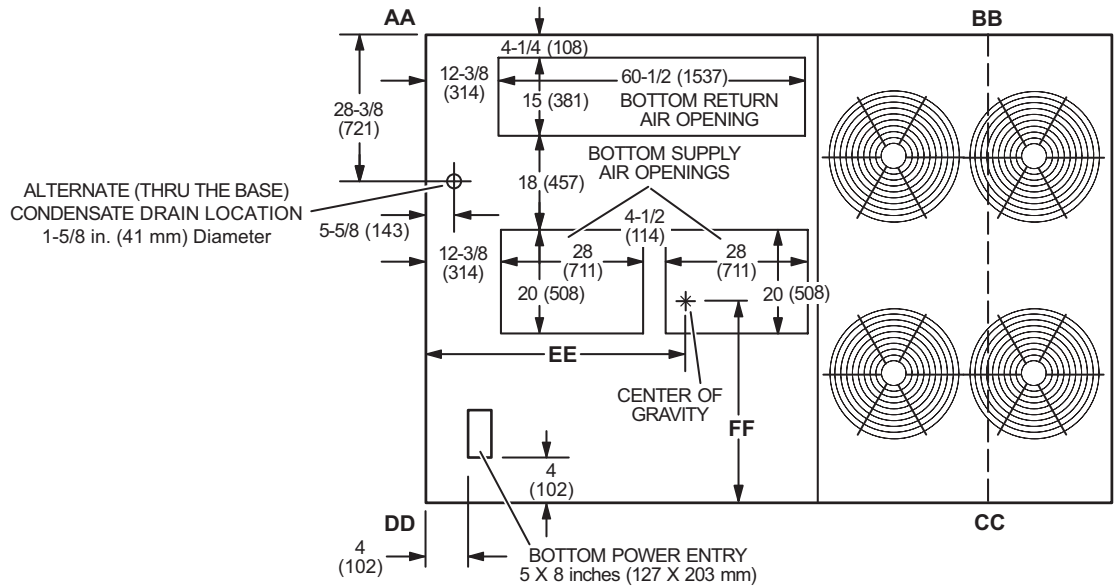
CORNER WEIGHTS

CENTER OF GRAVITY

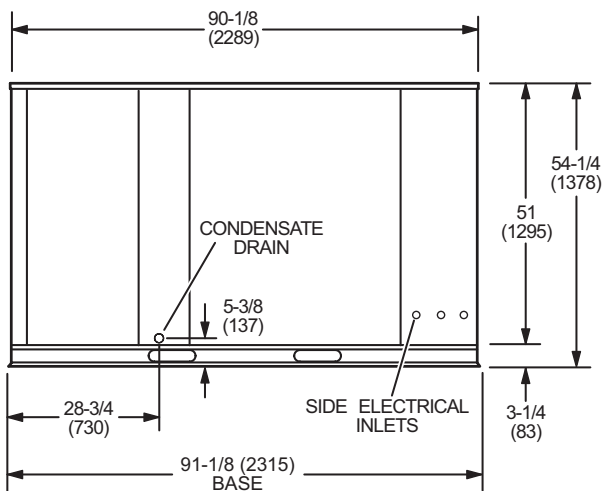
Model	AA		BB		CC		DD		EE		FF	
	lbs.	kg	lbs.	kg	lbs.	kg	lbs.	kg	in.	mm	in.	mm
LCX240S Base Unit	459	209	423	192	563	256	611	278	51-3/4	1313	39-1/8	993
LCX240S Max. Unit	579	263	522	237	610	277	675	307	51-1/8	1298	42	1068

Base Unit - The unit with NO INTERNAL OPTIONS.

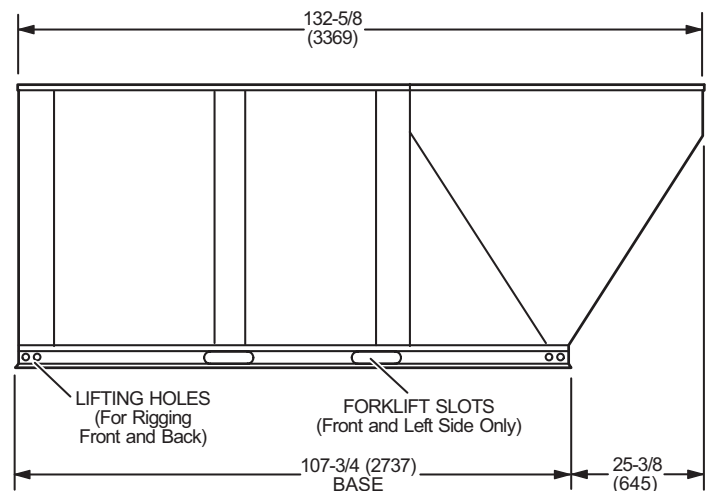
Max. Unit - The unit with ALL INTERNAL OPTIONS Installed. (Economizer, Standard Static Power Exhaust Fans, Controls, etc.). Does not include accessories external to unit.



TOP VIEW



END VIEW



SIDE VIEW

DIMENSIONS - UNIT

LCX300

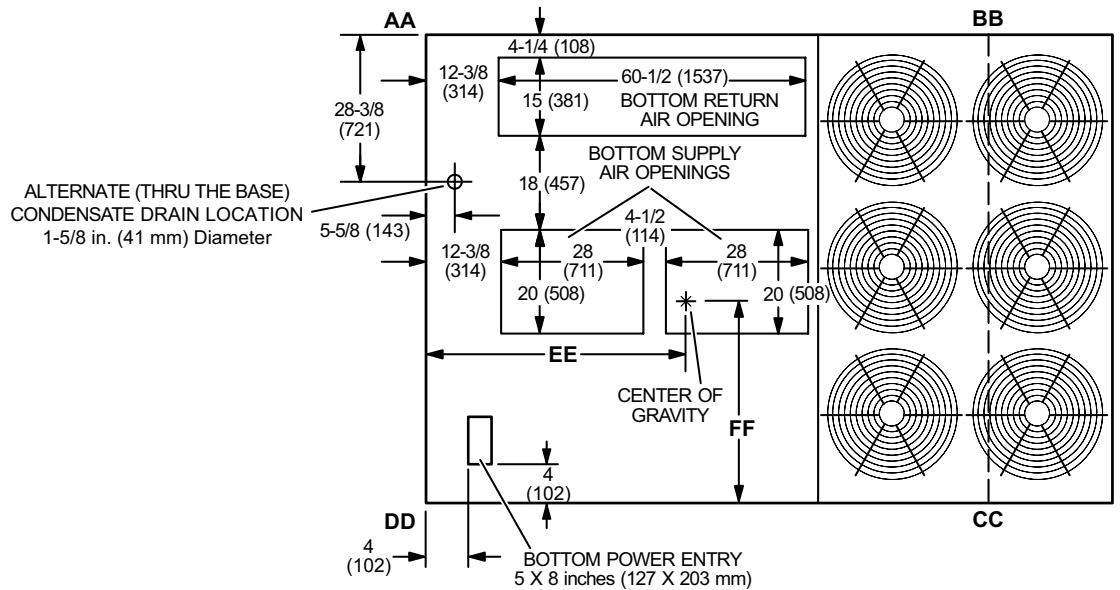
CORNER WEIGHTS

CENTER OF GRAVITY

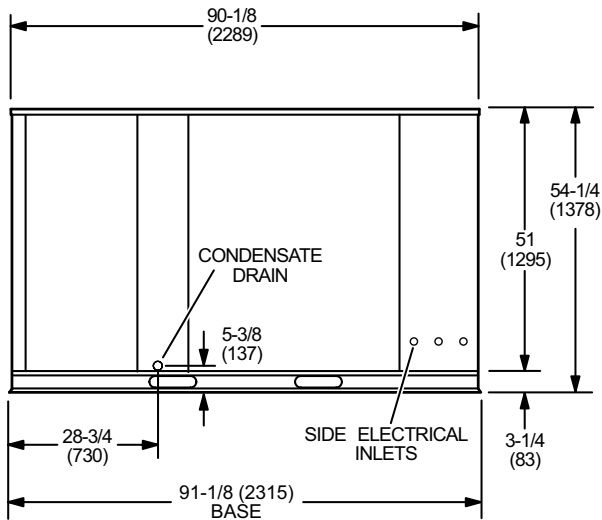
Model	AA		BB		CC		DD		EE		FF	
	lbs.	kg	lbs.	kg	lbs.	kg	lbs.	kg	in.	mm	in.	mm
LCX300S Base Unit	457	208	477	217	697	317	669	304	55	1397	37	940
LCX300S Max. Unit	553	251	556	253	742	337	739	336	54	1372	39	991

Base Unit - The unit with NO INTERNAL OPTIONS.

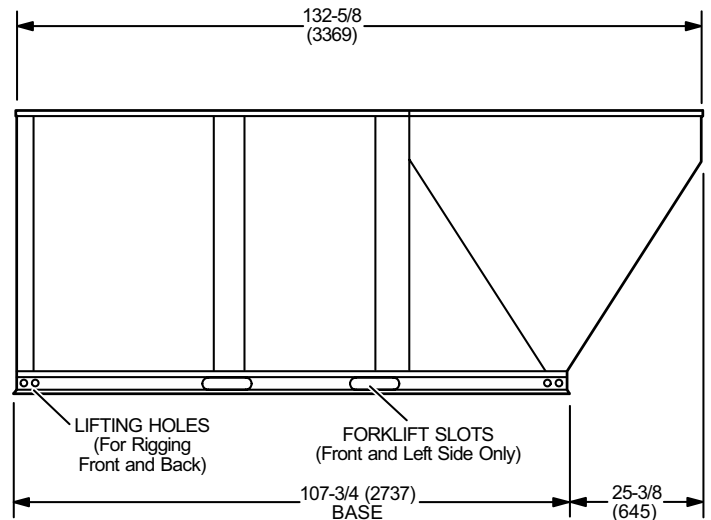
Max. Unit - The unit with ALL INTERNAL OPTIONS Installed. (Economizer, Standard Static Power Exhaust Fans, Controls, etc.). Does not include accessories external to unit.



TOP VIEW

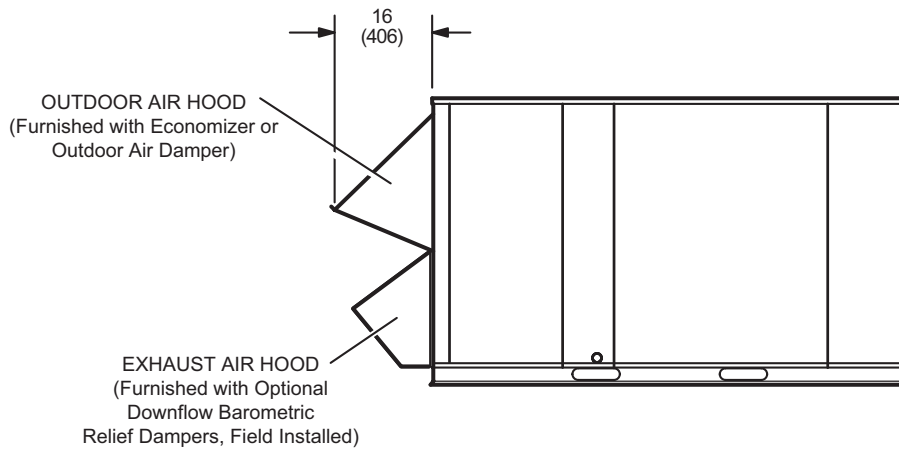


END VIEW



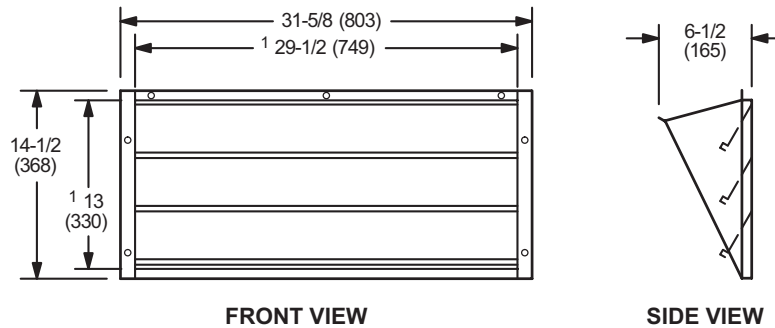
SIDE VIEW

OUTDOOR AIR HOOD DETAIL



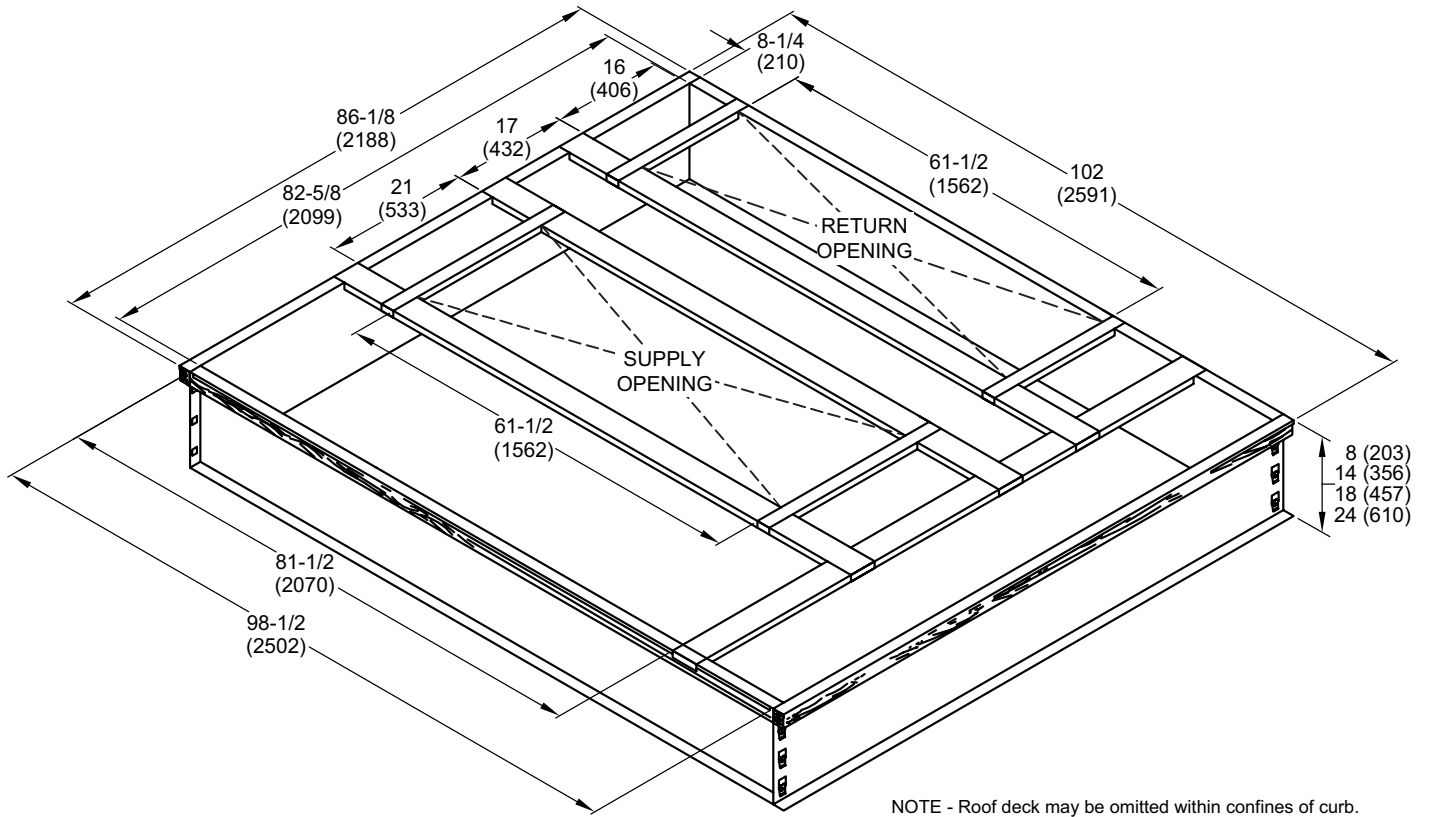
OPTIONAL HORIZONTAL BAROMETRIC RELIEF DAMPERS WITH HOOD

(Field installed in horizontal return air duct adjacent to unit)

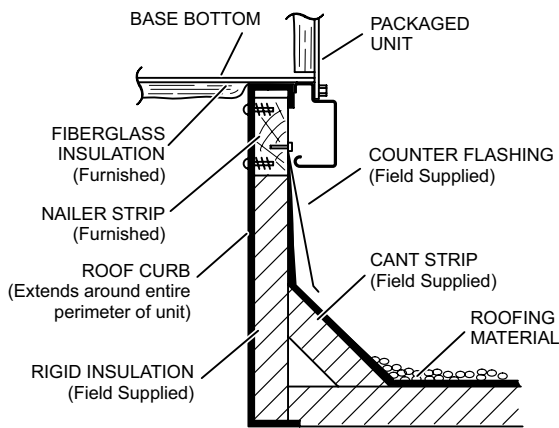


NOTE - Two furnished per order no.
¹ NOTE - Opening size required in return air duct.

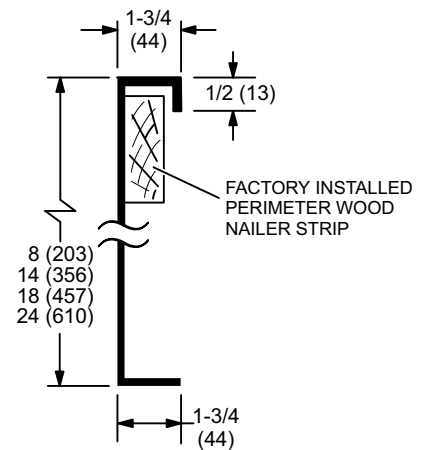
HYBRID ROOF CURBS - DOUBLE DUCT OPENING



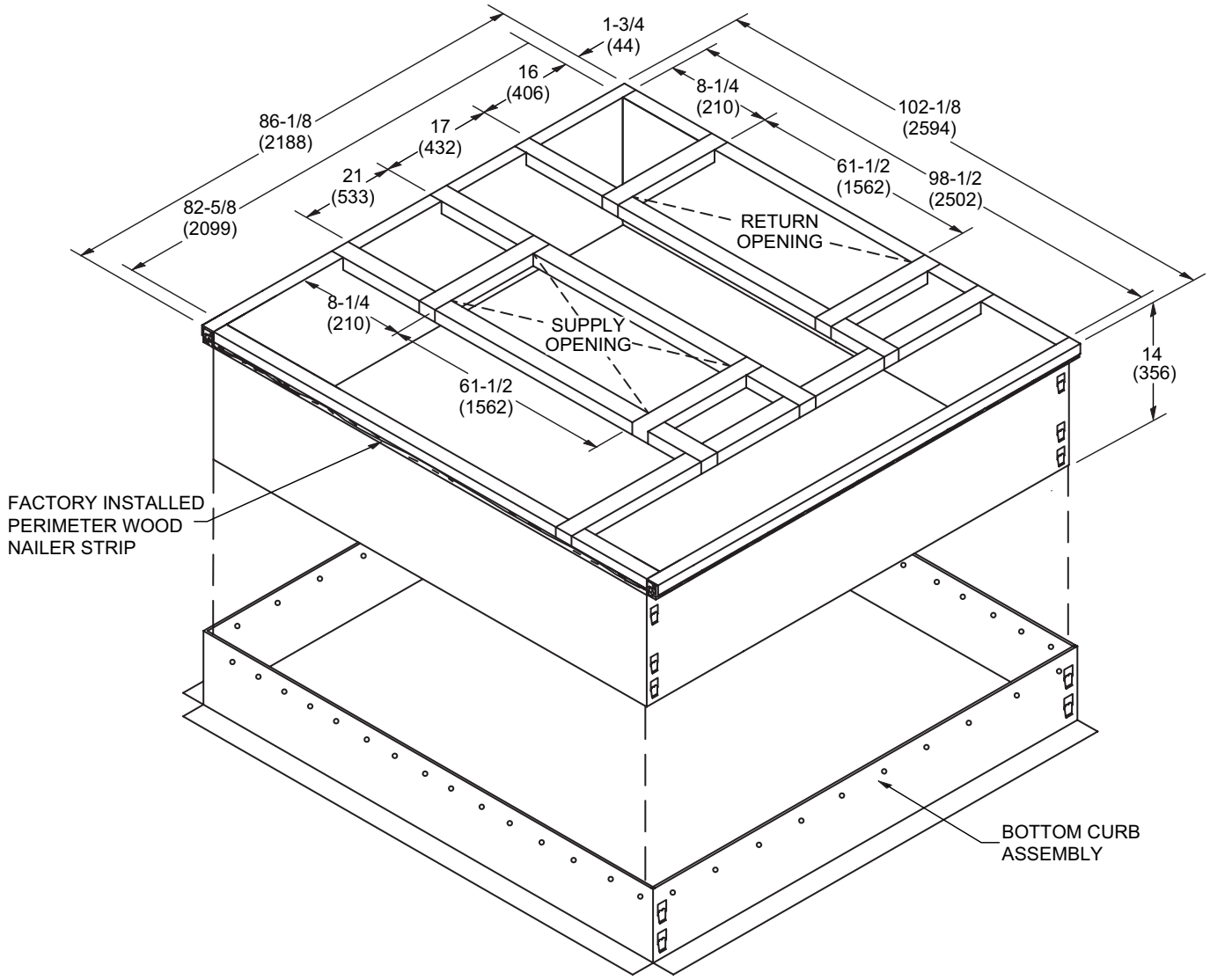
TYPICAL FLASHING DETAIL FOR ROOF CURB



DETAIL ROOF CURB

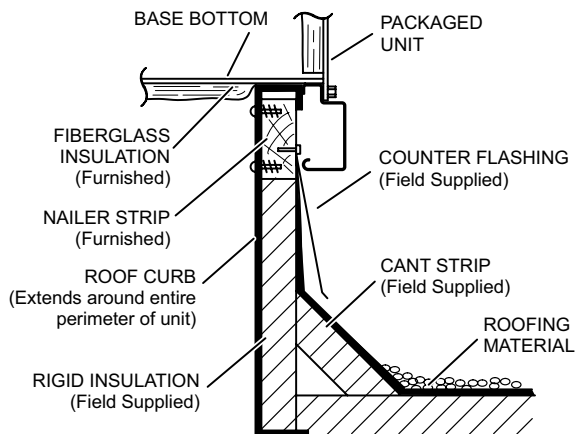


ADJUSTABLE PITCH CURB - DOUBLE DUCT OPENING

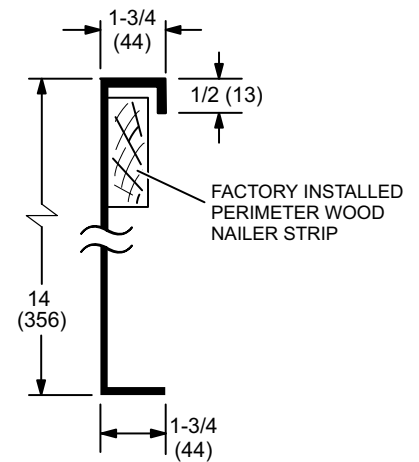


NOTE - Maximum slope pitch is 3/4 in. per 1 foot (19 mm per 305 mm) in any one direction.

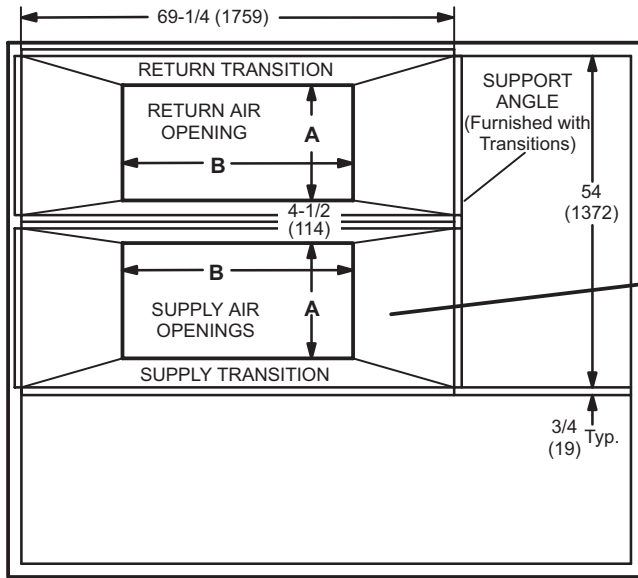
TYPICAL FLASHING DETAIL FOR ROOF CURB



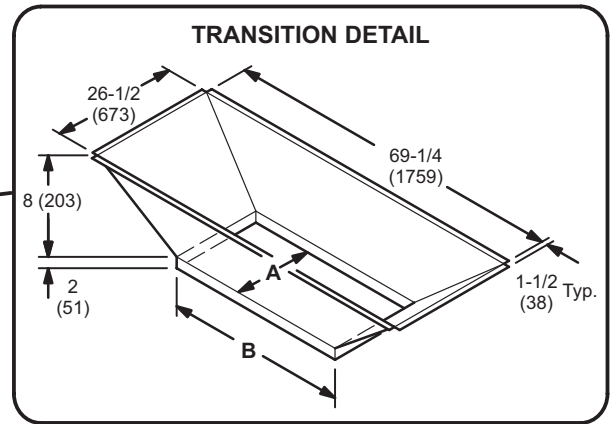
DETAIL ROOF CURB



ROOF CURBS WITH SUPPLY & RETURN AIR TRANSITIONS FOR CEILING DIFFUSERS



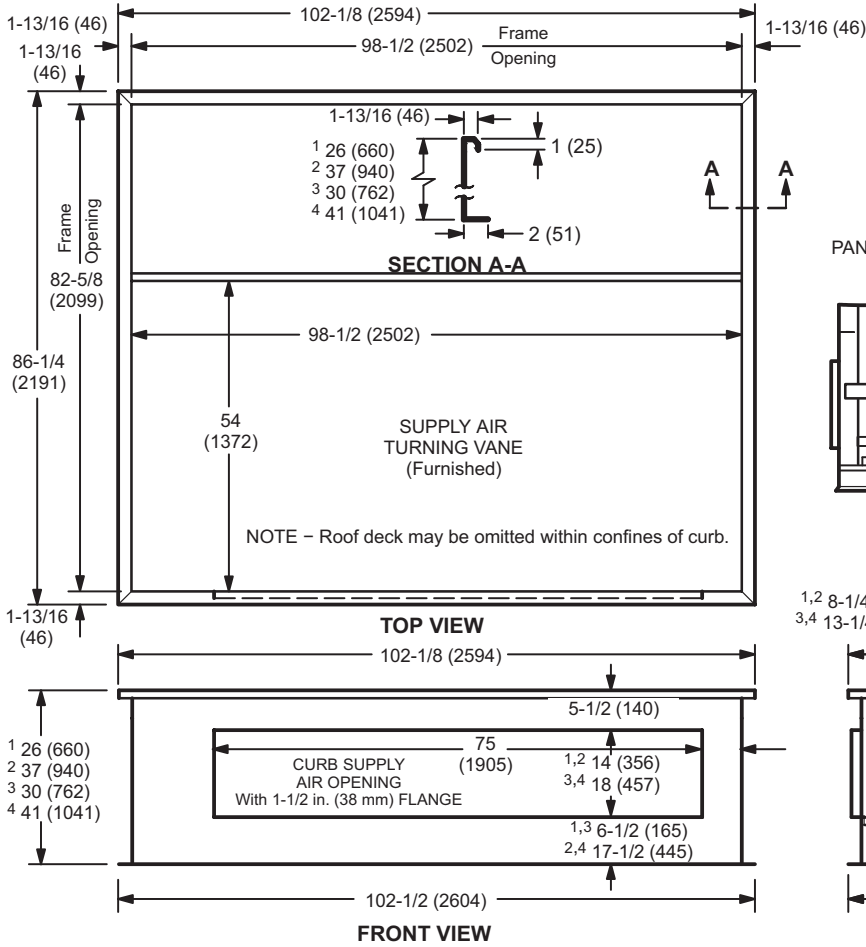
TOP VIEW



TRANSITION OPENING SIZES

Model Number	A		B	
	inch	mm	inch	mm
C1DIFF33C-1	18	457	36	914
C1DIFF34C-1	24	610	48	1219

HORIZONTAL ROOF CURBS – Requires Optional Horizontal Return Air Panel Kit



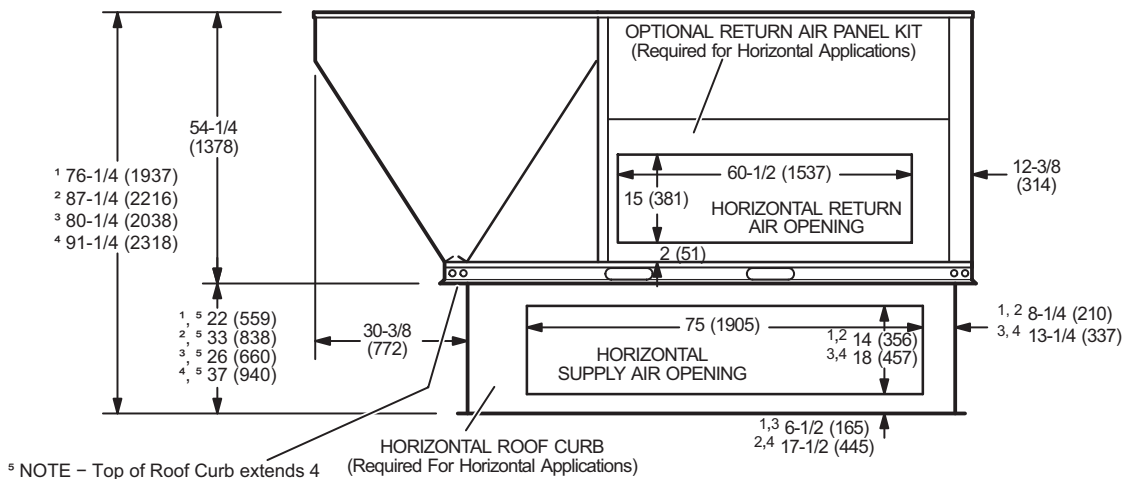
NOTE 26 in. (660 mm) and 30 in. (762 mm) height Curbs are designed for horizontal discharge when unit is mounted on a slab.
37 in. (940 mm) and 41 in. (1041 mm) height Curbs are designed for horizontal discharge when unit is mounted on a rooftop.

PANEL TO COVER RETURN AIR OPENING IN BOTTOM OF UNIT (Furnished With Optional Horizontal Return Air Panel Kit)

1,2 8-1/4 (210)
3,4 13-1/4 (337)

1 Slab Applications 2 Rooftop Applications 3 Slab Applications (used with 300) 4 Rooftop Applications (used with 300)

HORIZONTAL SUPPLY AND RETURN AIR OPENINGS WITH HORIZONTAL ROOF CURB



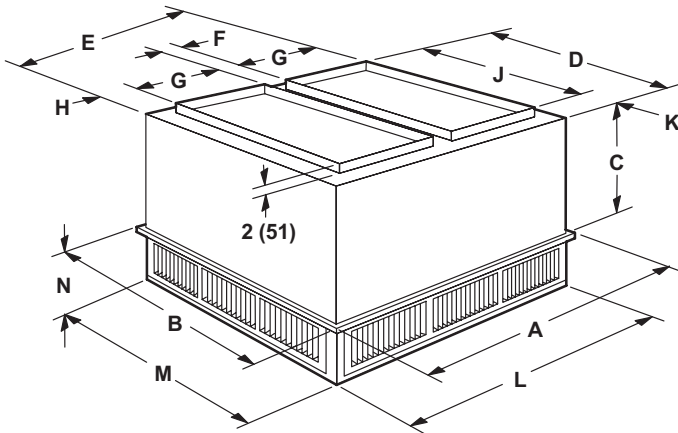
1 Slab Applications
2 Rooftop Applications
3 Slab Applications (used with 300 Models Only)
4 Rooftop Applications (used with 300 Models Only)

DIMENSIONS

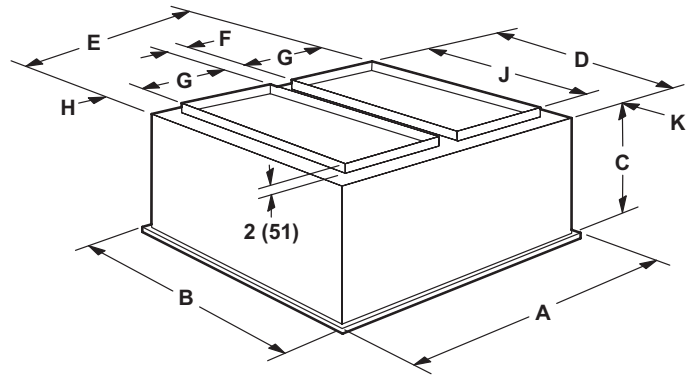
OPTIONAL ACCESSORIES

COMBINATION CEILING SUPPLY AND RETURN DIFFUSERS

STEP-DOWN CEILING DIFFUSER



FLUSH CEILING DIFFUSER



Model		RTD11-185S	RTD11-275S
A	in.	47-5/8	59-5/8
	mm	1210	1514
B	in.	47-5/8	59-5/8
	mm	1210	1514
C	in.	24-5/8	30-5/8
	mm	625	778
D	in.	45-1/2	57-1/2
	mm	1156	1461
E	in.	45-1/2	57-1/2
	mm	1156	1461
F	in.	4-1/2	4-1/2
	mm	114	114
G	in.	18	24
	mm	457	610
H	in.	2-1/2	2-1/2
	mm	64	64
J	in.	36	48
	mm	914	1219
K	in.	4-3/4	4-3/4
	mm	121	121
L	in.	45-1/2	57-1/2
	mm	1156	1461
M	in.	45-1/2	57-1/2
	mm	1156	1461
N	in.	10-1/8	11-1/8
	mm	257	283
Duct Size	in.	18 x 36	24 x 48
	mm	457 x 914	610 x 1219

Model		FD11-185S	FD11-275S
A	in.	47-5/8	59-5/8
	mm	1210	1514
B	in.	47-5/8	59-5/8
	mm	1210	1514
C	in.	29-1/4	35-1/4
	mm	743	895
D	in.	45	57
	mm	1143	1148
E	in.	45	57
	mm	1143	1448
F	in.	4-1/2	4-1/2
	mm	114	114
G	in.	18	24
	mm	457	610
H	in.	2-1/4	2-1/4
	mm	57	57
J	in.	36	48
	mm	914	1219
K	in.	4-1/2	4-1/2
	mm	114	114
Duct Size	in.	18 x 36	24 x 48
	mm	457 x 914	610 x 1219



Visit us at www.Lennox.com

For the latest technical information, www.LennoxCommercial.com

Contact us at 1-800-4-LENNOX

NOTE - Due to Lennox' ongoing commitment to quality, Specifications, Ratings and Dimensions subject to change without notice and without incurring liability. Improper installation, adjustment, alteration, service or maintenance can cause property damage or personal injury. Installation and service must be performed by a qualified installer and servicing agency.

©2024 Lennox Industries, Inc.