



VRF

Compact 360° High Efficiency Cassette Indoor Models - 60 Hz

VRF

V22B

**COMMERCIAL
PRODUCT SPECIFICATIONS**

Bulletin No. 210884

August 2022

Supersedes April 2019

Low-sound, high efficiency cassette, encased in galvanized steel, the Compact Cassette offers 360° airflow for immediate, equal distribution of wide-range cooling and heating. Compact design allows installation in shallow ceilings.



TABLE OF CONTENTS

Air Throw Data 7
 Cooling Capacity 8
 Dimensions 3
 Electrical Data 2
 Heating Capacity 10
 Installation Clearances 4
 Model Number Identification. 1
 Sound Data 4
 Specifications 2

APPROVALS

- Units are ETL certified for the U.S. and Canada

WARRANTY

- **Components** - Limited ten years for qualifying installations. See Warranty Certificate for details

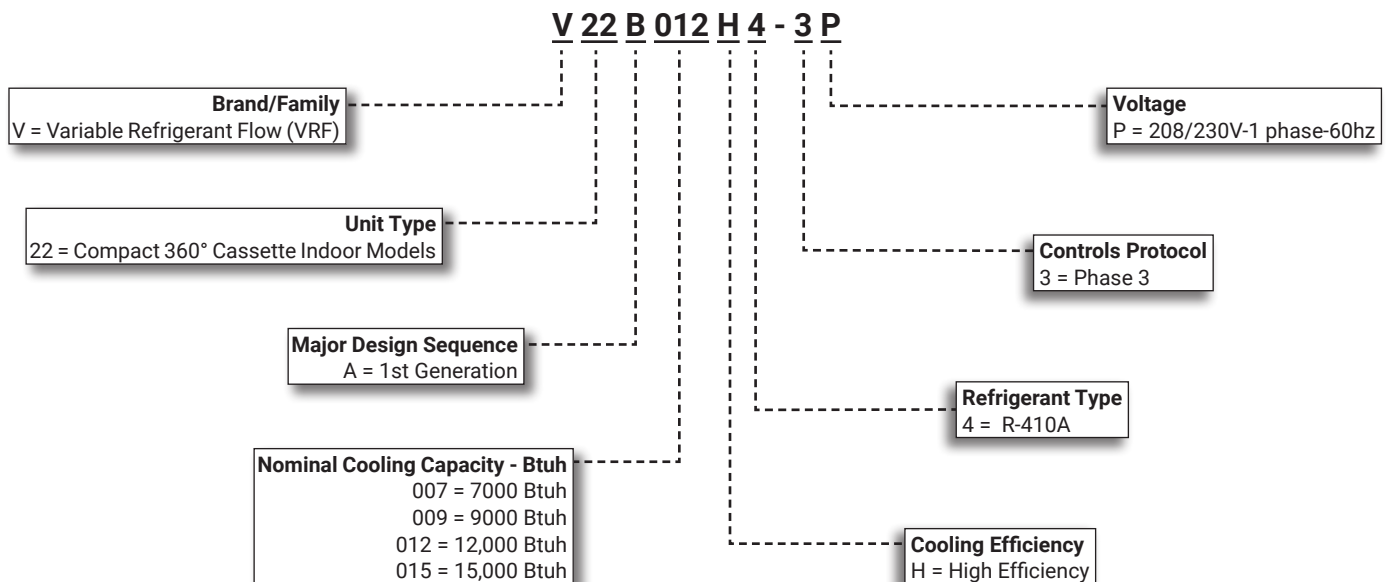
FEATURES

- **360° Airflow Panel** - Allows for even, wide-range cooling and heating
- **Pre-Heat Function** - Delays the operation of the fan until the indoor coil has reached a selected temperature which prevents the discharge of cold air while the system is operating in the "heating" mode
- **Digital Readout/Infrared Receiver Panel** - Mounted on unit. LEDs display unit operation status, and codes for maintenance and servicing. Infrared receiver for use with a wireless remote control (not furnished)
- **Unit Addressing** - An optional wireless remote control (not furnished) can be used to inquire and modify each indoor unit's address



- **Auto Restart** - Automatically restores the previous function setting if power is interrupted
- **Built-In Condensate Lift Pump** - 28 inches
- **Compact Design** - Allows accessible wiring and space-saving installation with reduced width and depth
- **Electronic Expansion Valve** - Assures optimal performance throughout the application range
- **Flare Connections** - Equipped with liquid and gas flare fittings for quick and secure piping
- **Turbo Fan With Backward Curved Blades** - Reduces sound levels and air resistance
- **Three-Stage Fan Speed (High Efficiency DC Motor)** - Fan functions at three levels: low, medium, high
- **Air Filter** - Cleanable air filter is furnished as standard

MODEL NUMBER IDENTIFICATION



SPECIFICATIONS

General Data		Nominal kBtuh	7	9	12	15
		Model Number	V22B007H4	V22B009H4	V22B012H4	V22B015H4
¹ Cooling Performance	Net Cooling Capacity - Btuh		7,000	9,000	12,000	15,000
	Total Unit Power Input (W)		22	22	29	29
	Rated current (A)		0.4	0.4	0.45	0.45
¹ Heating Performance	Net Heating Capacity - Btuh		8,000	10,000	13,000	17,000
	Total Unit Power Input (W)		15	15	22	22
	Rated current (A)		0.3	0.3	0.35	0.35
Refrigerant	Type		R-410A	R-410A	R-410A	R-410A
Indoor fan motor	Input - W		16	16	24	24
	Speed (high / medium / low) - rpm		690/640/530	690/640/530	816/710/600	815/710/600
Indoor coil	Number of rows		1	1	2	2
	Fin spacing - in.		3/64	3/64	3/64	3/64
	Coil length x height x width - in.		52 x 8-5/16 x 1-3/64		52 x 8-5/16 x 2-7/64	
	Number of circuits		2	2	4	4
	Tube outside diameter and type - in.		1/4 - Rifled Copper Tubing			
	Fin type		Hydrophilic Coated Aluminum			
	Expansion device type		Electronic Expansion Valve			
	Design Pressure (high / low) - psig		650 / 250			
	Indoor Coil Connections	Liquid pipe o.d. - in. (flare)		1/4	1/4	1/4
Gas pipe o.d. - in. (flare)			1/2	1/2	1/2	1/2
Lift pump drain connection o.d. - in.			(1) 1	(1) 1	(1) 1	(1) 1
Indoor Blower	Airflow (high / medium / low) - cfm		306 / 282 / 229	306 / 282 / 229	359 / 306 / 253	359 / 306 / 253
	Sound data (high / medium / low) dBA		41.4 / 39.6 / 35.5	41.3 / 39.4 / 34.6	46 / 42.2 / 38	45.9 / 42.3 / 37.7
Control Wiring (AWG)		2-Core Shielded, Stranded, Polarity Sensitive, 18 AWG				
Weight Data	Unit weight (net / shipping) - lbs.		40 / 51		43 / 53	
	Diffuser Panel weight (net / shipping) - lbs.		6 / 10		6 / 10	

ELECTRICAL DATA

Line voltage data - 60 hz - 1ph		208/230V	208/230V	208/230V	208/230V
² Maximum overcurrent protection (amps)		15	15	15	15
³ Minimum circuit ampacity		0.38	0.38	0.53	0.53
Indoor Blower Motor - Full load amps		0.3	0.3	0.42	0.42

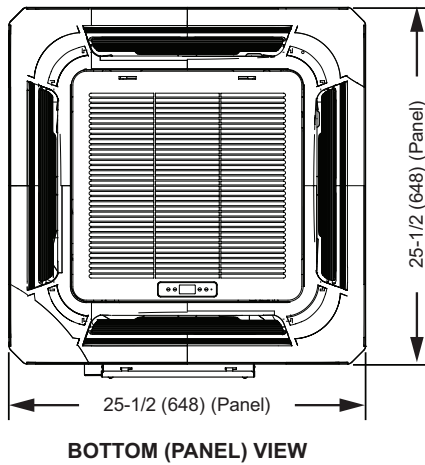
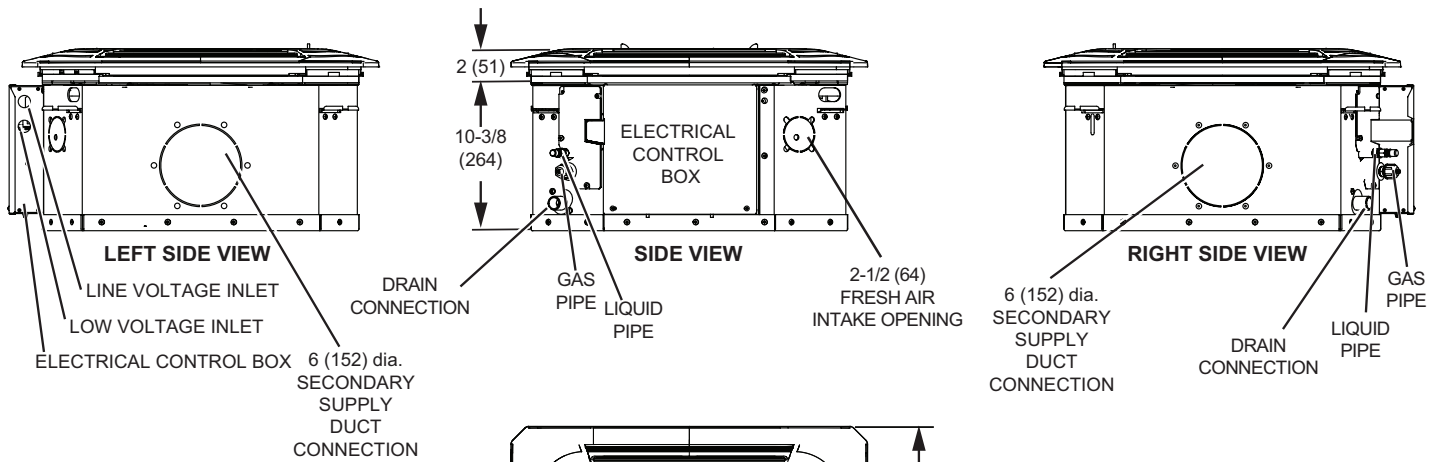
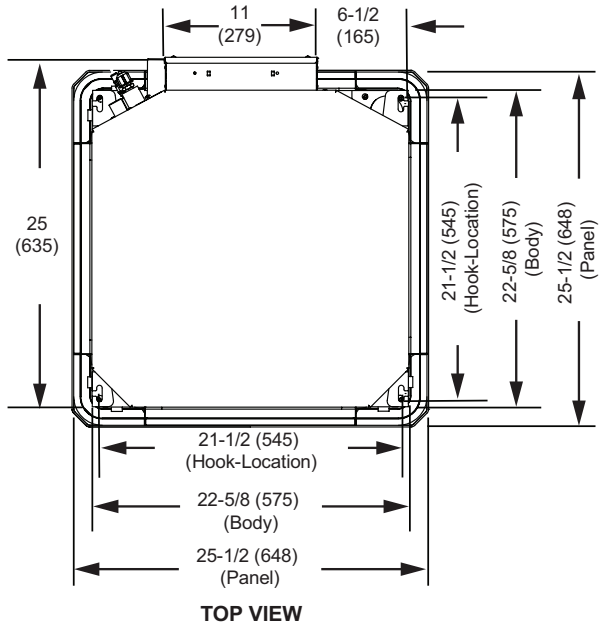
¹ Nominal capacities are based on the following conditions (with 25 ft. of connecting refrigerant lines);

- Cooling Ratings - 95°F outdoor air temperature and 80°F db/67°F wb entering indoor coil air.
- Heating Ratings - 47°F db/43°F wb outdoor air temperature and 70°F db entering indoor coil air.

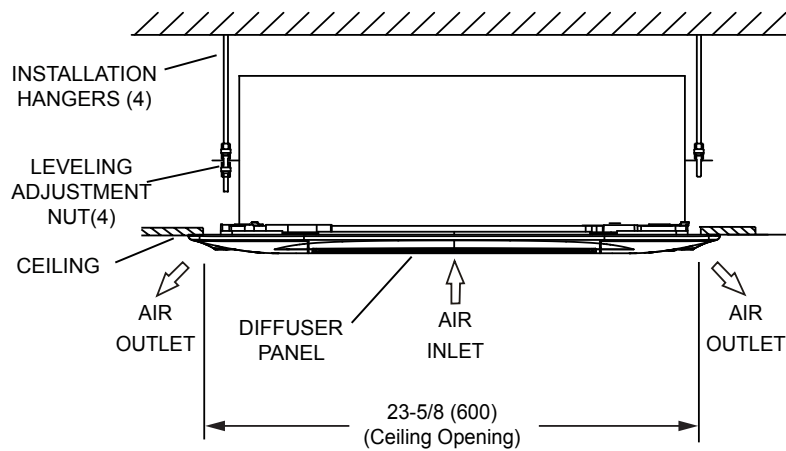
² HACR type circuit breaker or fuse.

³ Refer to National or Canadian Electrical Code manual to determine wire, fuse and disconnect size requirements.

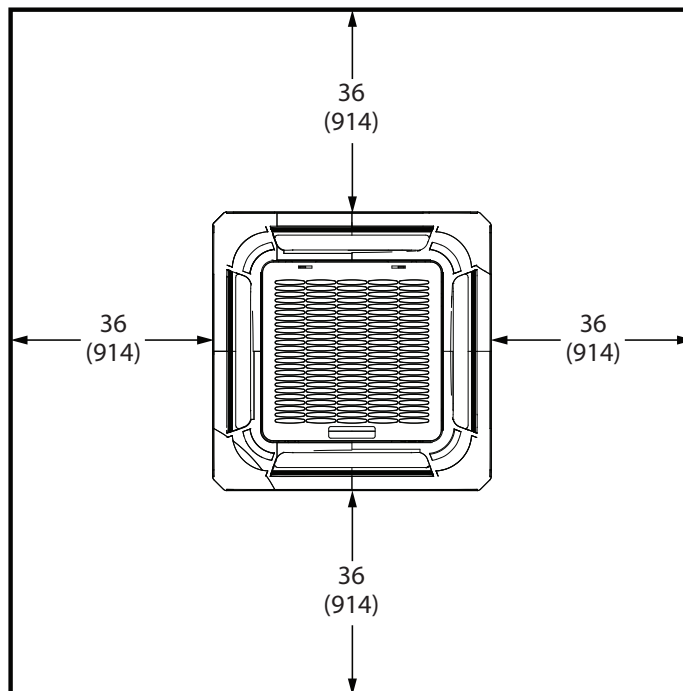
DIMENSIONS



INSTALLATION CLEARANCES



SIDE VIEW



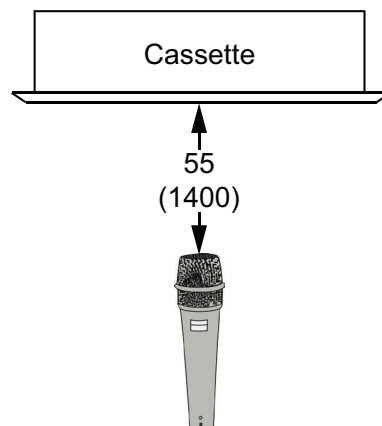
Minimum Vertical Clearances:
Minimum Clearance from Structural Ceiling to Drop Ceiling - 10-1/4 inches (260 mm)
Minimum Clearance to Floor - 90 inches (2286 mm)

Minimum Service Clearance for refrigerant and drain lines - 24 inches (610 mm)

SOUND DATA

SOUND LEVELS

Model No.	Sound Rating Number (dBA)		
	Low	Medium	High
V22B007H4	35.5	39.6	41.4
V22B009H4	34.6	39.4	41.3
V22B012H4	38.0	42.2	46.0
V22B015H4	37.7	42.3	45.9

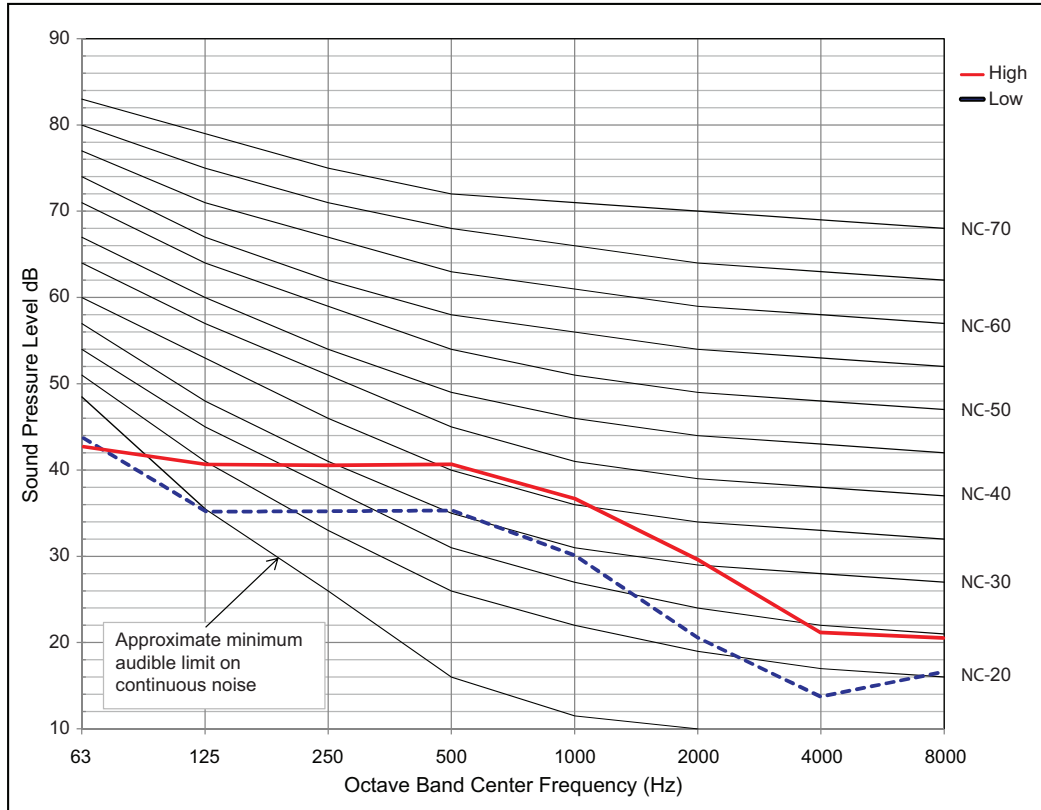


NOTE: • Semi-anechoic chamber conversion value is measured at a point 55 inches (1400 mm) under the unit.

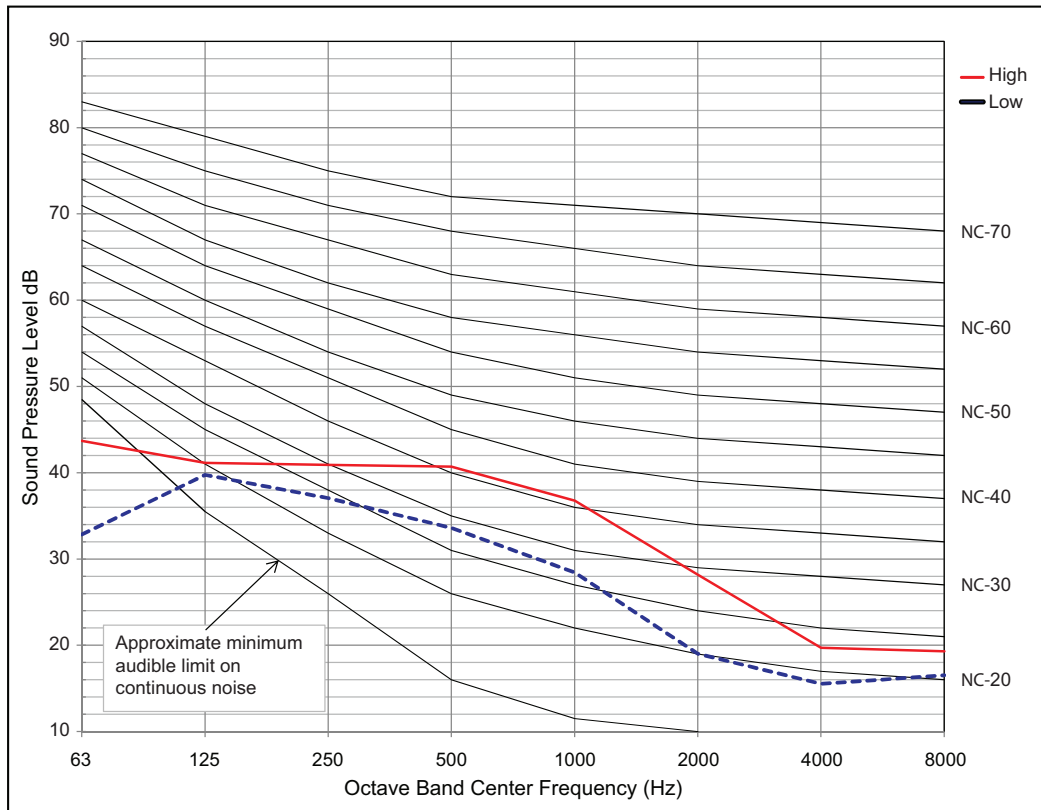
SOUND DATA

OCTAVE BAND LEVELS

V22B007H4

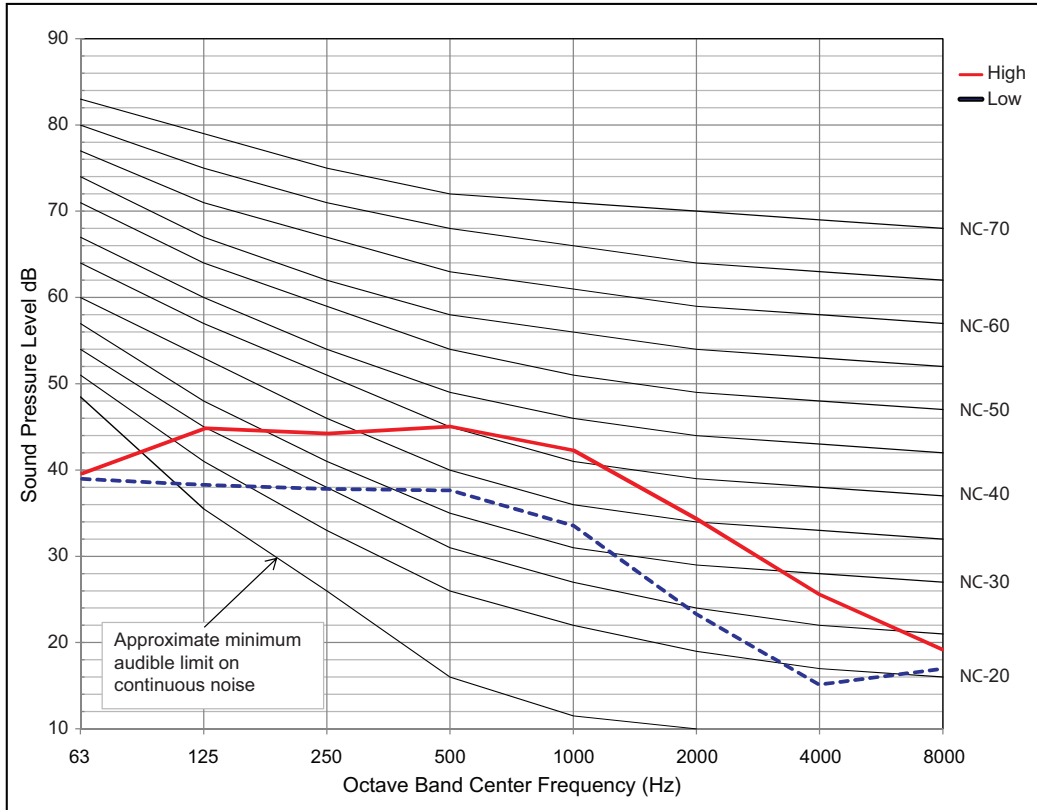


V22B009H4

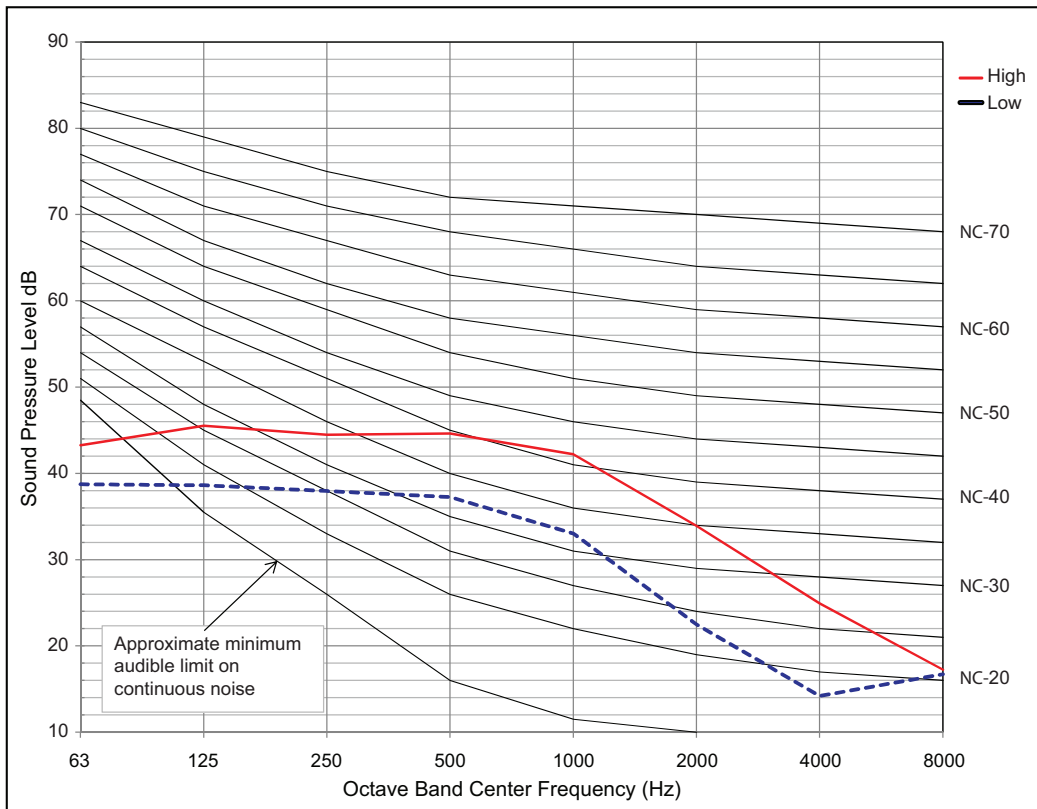


OCTAVE BAND LEVELS

V22B012H4

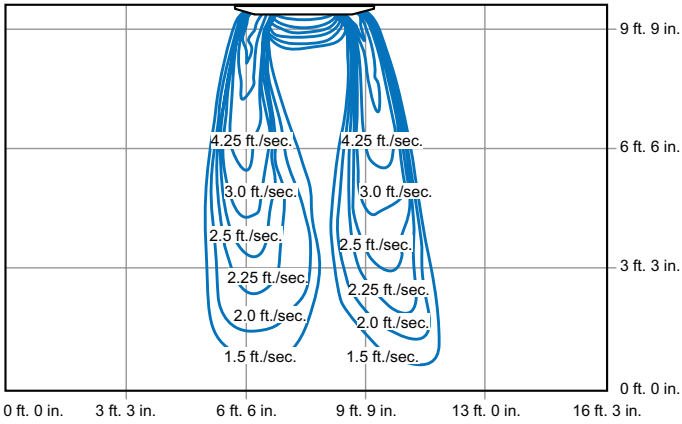


V22B015H4

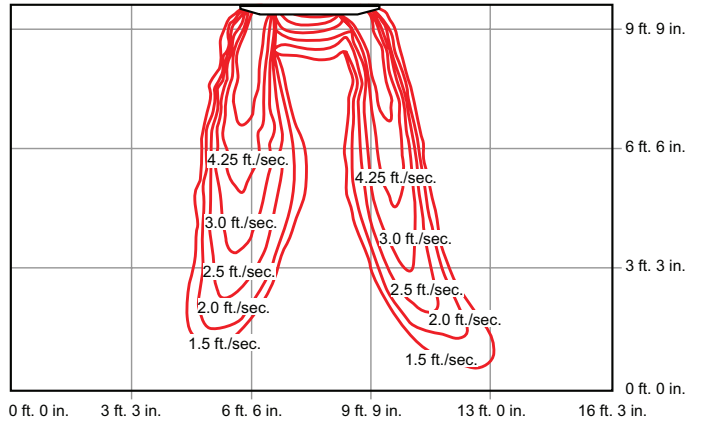


AIR THROW DATA

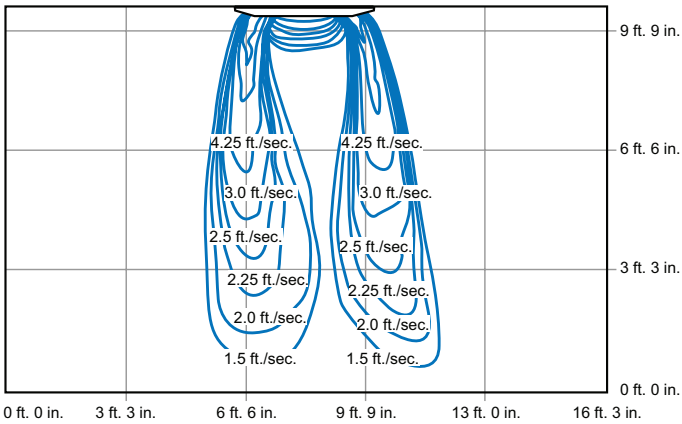
V22B007S4 - COOLING



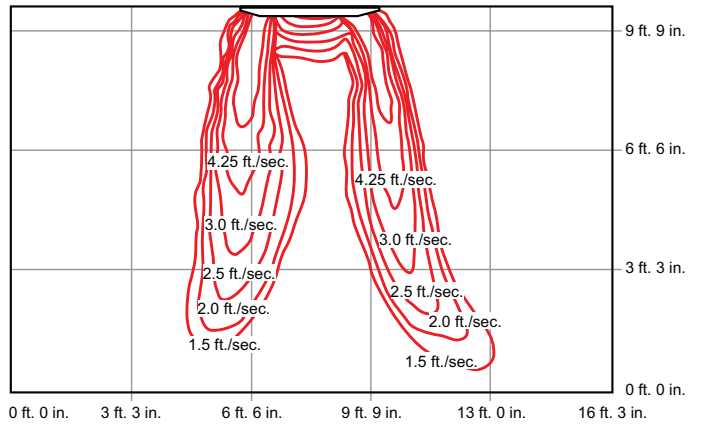
V22B007S4 - HEATING



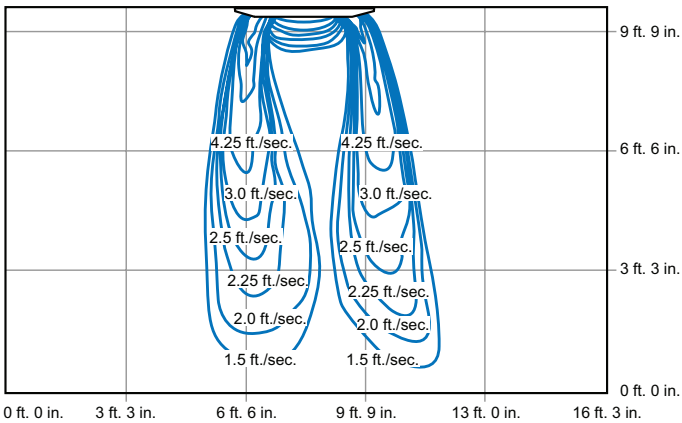
V22B009S4 - COOLING



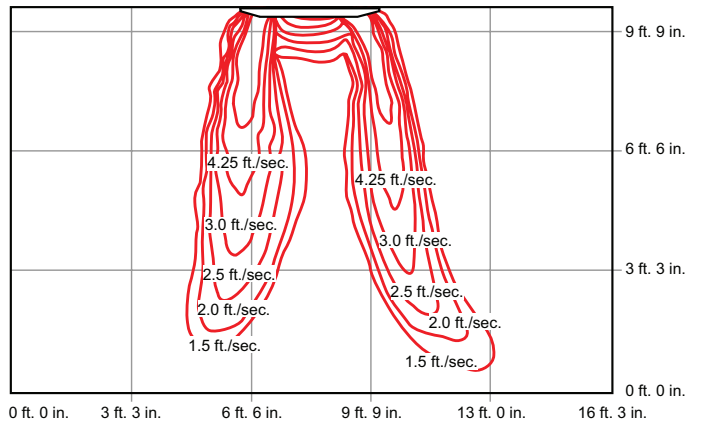
V22B009S4 - HEATING



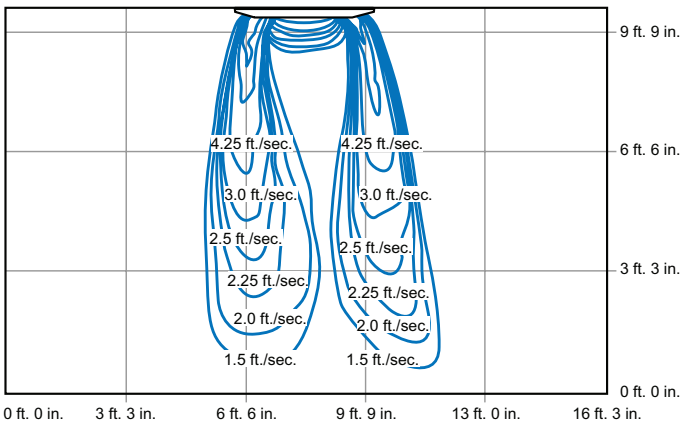
V22B012S4 - COOLING



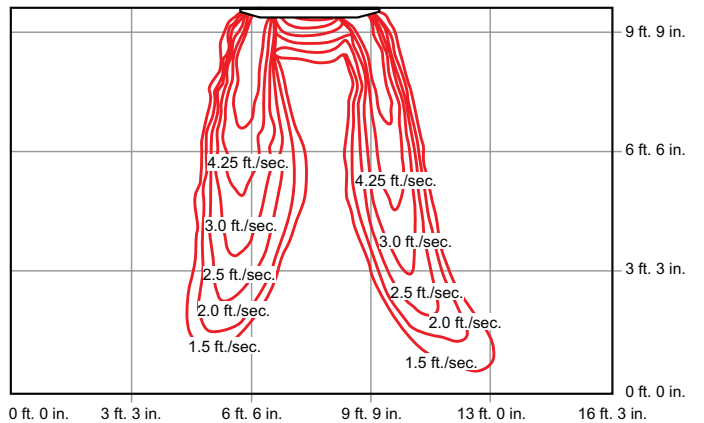
V22B012S4 - HEATING



V22B015S4 - COOLING



V22B015S4 - HEATING



COOLING CAPACITY

Size	Outdoor Temperature °F (Dry Bulb)	Indoor Temperature - °F (Dry Bulb / Wet Bulb)											
		67 / 57		71 / 60		75 / 63		80 / 67		85 / 71		90 / 75	
		Total	Sensible	Total	Sensible	Total	Sensible	Total	Sensible	Total	Sensible	Total	Sensible
		MBH	MBH	MBH	MBH	MBH	MBH	MBH	MBH	MBH	MBH	MBH	MBH
007	-10	4.11	2.92	4.98	3.62	5.84	4.35	7.00	5.26	8.16	6.09	9.31	7.02
	5	4.11	2.92	4.98	3.62	5.84	4.35	7.00	5.26	8.16	6.09	9.31	7.02
	10	4.11	2.92	4.98	3.62	5.84	4.35	7.00	5.26	8.16	6.09	9.31	7.02
	15	4.11	2.92	4.98	3.62	5.84	4.35	7.00	5.26	8.16	6.09	9.28	6.99
	20	4.11	2.92	4.98	3.62	5.84	4.35	7.00	5.26	8.16	6.09	9.15	6.89
	25	4.11	2.92	4.98	3.62	5.84	4.35	7.00	5.26	8.16	6.09	9.01	6.79
	30	4.11	2.92	4.98	3.62	5.84	4.35	7.00	5.26	8.16	6.09	8.88	6.69
	35	4.11	2.92	4.98	3.62	5.84	4.35	7.00	5.26	8.16	6.09	8.75	6.59
	40	4.11	2.92	4.98	3.62	5.84	4.35	7.00	5.26	8.16	6.09	8.61	6.49
	45	4.11	2.92	4.98	3.62	5.84	4.35	7.00	5.26	8.16	6.09	8.48	6.39
	50	4.11	2.92	4.98	3.62	5.84	4.35	7.00	5.26	8.16	6.09	8.34	6.28
	55	4.11	2.92	4.98	3.62	5.84	4.35	7.00	5.26	8.14	6.08	8.21	6.18
	60	4.11	2.92	4.98	3.62	5.84	4.35	7.00	5.26	8.01	5.98	8.07	6.08
	65	4.11	2.92	4.98	3.62	5.84	4.35	7.00	5.26	7.87	5.88	7.94	5.98
	70	4.11	2.92	4.98	3.62	5.84	4.35	7.00	5.26	7.74	5.78	7.81	5.88
	75	4.11	2.92	4.98	3.62	5.84	4.35	7.00	5.26	7.60	5.68	7.67	5.78
	80	4.11	2.92	4.98	3.62	5.84	4.35	7.00	5.26	7.47	5.58	7.54	5.68
	85	4.11	2.92	4.98	3.62	5.84	4.35	7.00	5.26	7.34	5.48	7.40	5.58
	90	4.11	2.92	4.98	3.62	5.84	4.35	7.00	5.26	7.20	5.38	7.27	5.48
	95	4.11	2.92	4.98	3.62	5.84	4.35	7.00	5.26	7.07	5.28	7.13	5.37
100	4.11	2.92	4.98	3.62	5.84	4.35	6.87	5.16	6.93	5.18	7.00	5.27	
105	4.11	2.92	4.98	3.62	5.84	4.35	6.73	5.05	6.78	5.06	6.79	5.11	
110	4.11	2.92	4.98	3.62	5.84	4.35	6.33	4.75	6.48	4.84	6.58	4.95	
115	4.11	2.92	4.76	3.46	4.88	3.63	5.03	3.78	5.19	3.87	5.34	4.03	
118	3.65	2.63	3.98	2.94	4.10	3.09	4.25	3.24	4.41	3.34	4.56	3.48	
125	2.08	1.48	2.20	1.60	2.32	1.72	2.47	1.86	2.63	1.96	2.78	2.10	
009	-10	5.28	3.75	6.40	4.65	7.51	5.59	9.00	6.76	10.49	7.83	11.98	9.02
	5	5.28	3.75	6.40	4.65	7.51	5.59	9.00	6.76	10.49	7.83	11.98	9.02
	10	5.28	3.75	6.40	4.65	7.51	5.59	9.00	6.76	10.49	7.83	11.98	9.02
	15	5.28	3.75	6.40	4.65	7.51	5.59	9.00	6.76	10.49	7.83	11.93	8.99
	20	5.28	3.75	6.40	4.65	7.51	5.59	9.00	6.76	10.49	7.83	11.77	8.86
	25	5.28	3.75	6.40	4.65	7.51	5.59	9.00	6.76	10.49	7.83	11.59	8.73
	30	5.28	3.75	6.40	4.65	7.51	5.59	9.00	6.76	10.49	7.83	11.42	8.60
	35	5.28	3.75	6.40	4.65	7.51	5.59	9.00	6.76	10.49	7.83	11.25	8.47
	40	5.28	3.75	6.40	4.65	7.51	5.59	9.00	6.76	10.49	7.83	11.07	8.34
	45	5.28	3.75	6.40	4.65	7.51	5.59	9.00	6.76	10.49	7.83	10.90	8.21
	50	5.28	3.75	6.40	4.65	7.51	5.59	9.00	6.76	10.49	7.83	10.73	8.08
	55	5.28	3.75	6.40	4.65	7.51	5.59	9.00	6.76	10.47	7.82	10.55	7.95
	60	5.28	3.75	6.40	4.65	7.51	5.59	9.00	6.76	10.30	7.69	10.38	7.82
	65	5.28	3.75	6.40	4.65	7.51	5.59	9.00	6.76	10.12	7.56	10.21	7.69
	70	5.28	3.75	6.40	4.65	7.51	5.59	9.00	6.76	9.95	7.43	10.04	7.56
	75	5.28	3.75	6.40	4.65	7.51	5.59	9.00	6.76	9.78	7.30	9.86	7.43
	80	5.28	3.75	6.40	4.65	7.51	5.59	9.00	6.76	9.60	7.17	9.69	7.30
	85	5.28	3.75	6.40	4.65	7.51	5.59	9.00	6.76	9.43	7.04	9.52	7.17
	90	5.28	3.75	6.40	4.65	7.51	5.59	9.00	6.76	9.26	6.91	9.35	7.04
	95	5.28	3.75	6.40	4.65	7.51	5.59	9.00	6.76	9.09	6.78	9.17	6.91
100	5.28	3.75	6.40	4.65	7.51	5.59	8.83	6.63	8.91	6.66	8.99	6.77	
105	5.28	3.75	6.40	4.65	7.51	5.59	8.65	6.50	8.71	6.51	8.72	6.57	
110	5.28	3.75	6.40	4.65	7.51	5.59	8.14	6.11	8.34	6.22	8.46	6.37	
115	5.28	3.75	6.12	4.45	6.27	4.66	6.47	4.86	6.67	4.98	6.87	5.18	
118	4.69	3.33	5.12	3.72	5.27	3.92	5.47	4.10	5.67	4.23	5.87	4.42	
125	2.68	1.90	2.83	2.06	2.98	2.21	3.18	2.39	3.38	2.52	3.58	2.69	

NOTE - MBH = 1000 BTUs per hour.

COOLING CAPACITY

Size	Outdoor Temperature °F (Dry Bulb)	Indoor Temperature - °F (Dry Bulb / Wet Bulb)											
		67 / 57		71 / 60		75 / 63		80 / 67		85 / 71		90 / 75	
		Total MBH	Sensible MBH	Total MBH	Sensible MBH	Total MBH	Sensible MBH	Total MBH	Sensible MBH	Total MBH	Sensible MBH	Total MBH	Sensible MBH
012	-10	7.04	5.00	8.53	6.21	10.02	7.45	12.00	9.01	13.98	10.44	15.97	12.03
	5	7.04	5.00	8.53	6.21	10.02	7.45	12.00	9.01	13.98	10.44	15.97	12.03
	10	7.04	5.00	8.53	6.21	10.02	7.45	12.00	9.01	13.98	10.44	15.97	12.03
	15	7.04	5.00	8.53	6.21	10.02	7.45	12.00	9.01	13.98	10.44	15.91	11.98
	20	7.04	5.00	8.53	6.21	10.02	7.45	12.00	9.01	13.98	10.44	15.69	11.82
	25	7.04	5.00	8.53	6.21	10.02	7.45	12.00	9.01	13.98	10.44	15.45	11.64
	30	7.04	5.00	8.53	6.21	10.02	7.45	12.00	9.01	13.98	10.44	15.22	11.47
	35	7.04	5.00	8.53	6.21	10.02	7.45	12.00	9.01	13.98	10.44	14.99	11.29
	40	7.04	5.00	8.53	6.21	10.02	7.45	12.00	9.01	13.98	10.44	14.76	11.12
	45	7.04	5.00	8.53	6.21	10.02	7.45	12.00	9.01	13.98	10.44	14.53	10.95
	50	7.04	5.00	8.53	6.21	10.02	7.45	12.00	9.01	13.98	10.44	14.30	10.77
	55	7.04	5.00	8.53	6.21	10.02	7.45	12.00	9.01	13.96	10.42	14.07	10.60
	60	7.04	5.00	8.53	6.21	10.02	7.45	12.00	9.01	13.73	10.25	13.84	10.43
	65	7.04	5.00	8.53	6.21	10.02	7.45	12.00	9.01	13.50	10.08	13.61	10.25
	70	7.04	5.00	8.53	6.21	10.02	7.45	12.00	9.01	13.27	9.91	13.38	10.08
	75	7.04	5.00	8.53	6.21	10.02	7.45	12.00	9.01	13.04	9.73	13.15	9.91
	80	7.04	5.00	8.53	6.21	10.02	7.45	12.00	9.01	12.81	9.56	12.92	9.73
	85	7.04	5.00	8.53	6.21	10.02	7.45	12.00	9.01	12.58	9.39	12.69	9.56
	90	7.04	5.00	8.53	6.21	10.02	7.45	12.00	9.01	12.35	9.22	12.46	9.39
	95	7.04	5.00	8.53	6.21	10.02	7.45	12.00	9.01	12.12	9.05	12.23	9.21
100	7.04	5.00	8.53	6.21	10.02	7.45	11.77	8.84	11.89	8.87	11.99	9.03	
105	7.04	5.00	8.53	6.21	10.02	7.45	11.54	8.67	11.62	8.67	11.63	8.76	
110	7.04	5.00	8.53	6.21	10.02	7.45	10.85	8.15	11.12	8.30	11.27	8.49	
115	7.04	5.00	8.16	5.94	8.36	6.22	8.63	6.48	8.89	6.64	9.16	6.90	
118	6.25	4.51	6.82	5.03	7.02	5.29	7.29	5.55	7.56	5.72	7.82	5.97	
125	3.57	2.54	3.77	2.74	3.97	2.95	4.24	3.18	4.50	3.36	4.77	3.59	
015	-10	8.80	6.25	10.66	7.76	12.52	9.31	15.00	11.26	17.48	13.05	19.96	15.03
	5	8.80	6.25	10.66	7.76	12.52	9.31	15.00	11.26	17.48	13.05	19.96	15.03
	10	8.80	6.25	10.66	7.76	12.52	9.31	15.00	11.26	17.48	13.05	19.96	15.03
	15	8.80	6.25	10.66	7.76	12.52	9.31	15.00	11.26	17.48	13.05	19.89	14.98
	20	8.80	6.25	10.66	7.76	12.52	9.31	15.00	11.26	17.48	13.05	19.61	14.77
	25	8.80	6.25	10.66	7.76	12.52	9.31	15.00	11.26	17.48	13.05	19.32	14.55
	30	8.80	6.25	10.66	7.76	12.52	9.31	15.00	11.26	17.48	13.05	19.03	14.33
	35	8.80	6.25	10.66	7.76	12.52	9.31	15.00	11.26	17.48	13.05	18.74	14.12
	40	8.80	6.25	10.66	7.76	12.52	9.31	15.00	11.26	17.48	13.05	18.45	13.90
	45	8.80	6.25	10.66	7.76	12.52	9.31	15.00	11.26	17.48	13.05	18.17	13.68
	50	8.80	6.25	10.66	7.76	12.52	9.31	15.00	11.26	17.48	13.05	17.88	13.47
	55	8.80	6.25	10.66	7.76	12.52	9.31	15.00	11.26	17.45	13.03	17.59	13.25
	60	8.80	6.25	10.66	7.76	12.52	9.31	15.00	11.26	17.16	12.81	17.30	13.03
	65	8.80	6.25	10.66	7.76	12.52	9.31	15.00	11.26	16.87	12.60	17.02	12.82
	70	8.80	6.25	10.66	7.76	12.52	9.31	15.00	11.26	16.58	12.38	16.73	12.60
	75	8.80	6.25	10.66	7.76	12.52	9.31	15.00	11.26	16.30	12.17	16.44	12.38
	80	8.80	6.25	10.66	7.76	12.52	9.31	15.00	11.26	16.01	11.95	16.15	12.17
	85	8.80	6.25	10.66	7.76	12.52	9.31	15.00	11.26	15.72	11.74	15.86	11.95
	90	8.80	6.25	10.66	7.76	12.52	9.31	15.00	11.26	15.43	11.52	15.58	11.73
	95	8.80	6.25	10.66	7.76	12.52	9.31	15.00	11.26	15.14	11.31	15.29	11.52
100	8.80	6.25	10.66	7.76	12.52	9.31	14.71	11.05	14.86	11.09	14.99	11.29	
105	8.80	6.25	10.66	7.76	12.52	9.31	14.42	10.83	14.52	10.84	14.54	10.95	
110	8.80	6.25	10.66	7.76	12.52	9.31	13.56	10.18	13.90	10.37	14.09	10.61	
115	8.80	6.25	10.20	7.42	10.45	7.77	10.78	8.10	11.12	8.30	11.45	8.63	
118	7.82	5.63	8.53	6.29	8.78	6.62	9.11	6.93	9.44	7.15	9.78	7.46	
125	4.46	3.17	4.71	3.43	4.96	3.69	5.30	3.98	5.63	4.20	5.96	4.49	

NOTE - MBH = 1000 BTUs per hour.

HEATING CAPACITY

Size	Outdoor Temperature (°F)		Indoor Temperature - °F (Dry Bulb)					
			61	64	67	70	73	75
	Dry Bulb	Wet Bulb	Total Capacity					
			MBH	MBH	MBH	MBH	MBH	MBH
007	-13	-14	3.61	3.45	3.29	3.13	2.96	2.85
	-8	-9	4.04	3.88	3.72	3.55	3.39	3.28
	-3	-4	4.47	4.31	4.14	3.98	3.82	3.71
	2	1	4.90	4.73	4.57	4.41	4.25	4.14
	7	6	5.32	5.16	5.00	4.84	4.67	4.56
	12	10	5.67	5.50	5.34	5.18	5.02	4.91
	17	15	6.09	5.93	5.77	5.61	5.44	5.33
	22	20	6.52	6.36	6.20	6.03	5.87	5.76
	27	24	6.86	6.70	6.54	6.38	6.21	6.10
	32	29	7.29	7.13	6.97	6.80	6.64	6.53
	37	34	7.72	7.56	7.39	7.23	7.07	6.96
	42	38	8.06	7.90	7.74	7.57	7.41	7.07
	47	43	8.49	8.33	8.16	8.00	7.44	7.07
	52	47	8.83	8.67	8.51	8.00	7.44	7.07
	57	52	9.26	9.10	8.56	8.00	7.44	7.07
	62	56	9.60	9.12	8.56	8.00	7.44	7.07
	67	61	9.67	9.12	8.56	8.00	7.44	7.07
72	66	9.67	9.12	8.56	8.00	7.44	7.07	
75	69	9.67	9.12	8.56	8.00	7.44	7.07	
80	74	9.67	9.12	8.56	8.00	7.44	7.07	
009	-13	-14	4.52	4.31	4.11	3.91	3.70	3.57
	-8	-9	5.05	4.85	4.64	4.44	4.24	4.10
	-3	-4	5.59	5.38	5.18	4.98	4.77	4.64
	2	1	6.12	5.92	5.71	5.51	5.31	5.17
	7	6	6.66	6.45	6.25	6.05	5.84	5.71
	12	10	7.08	6.88	6.68	6.47	6.27	6.13
	17	15	7.62	7.41	7.21	7.01	6.80	6.67
	22	20	8.15	7.95	7.75	7.54	7.34	7.20
	27	24	8.58	8.38	8.17	7.97	7.77	7.63
	32	29	9.12	8.91	8.71	8.50	8.30	8.17
	37	34	9.65	9.45	9.24	9.04	8.84	8.70
	42	38	10.08	9.87	9.67	9.47	9.26	8.84
	47	43	10.61	10.41	10.21	10.00	9.30	8.84
	52	47	11.04	10.84	10.63	10.00	9.30	8.84
	57	52	11.58	11.37	10.70	10.00	9.30	8.84
	62	56	12.00	11.40	10.70	10.00	9.30	8.84
	67	61	12.09	11.40	10.70	10.00	9.30	8.84
72	66	12.09	11.40	10.70	10.00	9.30	8.84	
75	69	12.09	11.40	10.70	10.00	9.30	8.84	
80	74	12.09	11.40	10.70	10.00	9.30	8.84	

NOTE - MBH = 1000 BTUs per hour.

HEATING CAPACITY

Size	Outdoor Temperature (°F)		Indoor Temperature - °F (Dry Bulb)					
			61	64	67	70	73	75
	Dry Bulb	Wet Bulb	Total Capacity					
			MBH	MBH	MBH	MBH	MBH	MBH
012	-13	-14	5.11	4.84	4.58	4.31	4.05	3.87
	-8	-9	5.87	5.61	5.34	5.08	4.81	4.64
	-3	-4	6.63	6.37	6.10	5.84	5.57	5.40
	2	1	7.39	7.13	6.87	6.60	6.34	6.16
	7	6	8.16	7.89	7.63	7.36	7.10	6.92
	12	10	8.77	8.50	8.24	7.97	7.71	7.53
	17	15	9.53	9.26	9.00	8.73	8.47	8.29
	22	20	10.29	10.03	9.76	9.50	9.23	9.06
	27	24	10.90	10.64	10.37	10.11	9.84	9.67
	32	29	11.66	11.40	11.13	10.87	10.60	10.43
	37	34	12.42	12.16	11.90	11.63	11.37	11.19
	42	38	13.03	12.77	12.51	12.24	11.98	11.49
	47	43	13.80	13.53	13.27	13.00	12.09	11.49
	52	47	14.41	14.14	13.88	13.00	12.09	11.49
	57	52	15.17	14.81	13.91	13.00	12.09	11.49
	62	56	15.72	14.81	13.91	13.00	12.09	11.49
	67	61	15.72	14.81	13.91	13.00	12.09	11.49
	72	66	15.72	14.81	13.91	13.00	12.09	11.49
75	69	15.72	14.81	13.91	13.00	12.09	11.49	
80	74	15.72	14.81	13.91	13.00	12.09	11.49	
015	-13	-14	7.68	7.33	6.99	6.64	6.29	6.06
	-8	-9	8.59	8.24	7.90	7.55	7.20	6.97
	-3	-4	9.50	9.15	8.80	8.46	8.11	7.88
	2	1	10.41	10.06	9.71	9.37	9.02	8.79
	7	6	11.31	10.97	10.62	10.28	9.93	9.70
	12	10	12.04	11.70	11.35	11.00	10.66	10.43
	17	15	12.95	12.61	12.26	11.91	11.57	11.34
	22	20	13.86	13.51	13.17	12.82	12.48	12.25
	27	24	14.59	14.24	13.90	13.55	13.20	12.97
	32	29	15.50	15.15	14.80	14.46	14.11	13.88
	37	34	16.41	16.06	15.71	15.37	15.02	14.79
	42	38	17.13	16.79	16.44	16.09	15.75	15.02
	47	43	18.04	17.70	17.35	17.00	15.81	15.02
	52	47	18.77	18.42	18.08	17.00	15.81	15.02
	57	52	19.68	19.33	18.19	17.00	15.81	15.02
	62	56	20.40	19.37	18.19	17.00	15.81	15.02
	67	61	20.56	19.37	18.19	17.00	15.81	15.02
	72	66	20.56	19.37	18.19	17.00	15.81	15.02
75	69	20.56	19.37	18.19	17.00	15.81	15.02	
80	74	20.56	19.37	18.19	17.00	15.81	15.02	
	80	74						

NOTE - MBH = 1000 BTUs per hour.

REVISIONS

Sections	Description of Change
Blower Data	Removed Super High speed (not available).



Visit us at www.Lennox.com

For the latest technical information, www.LennoxCommercial.com

Contact us at 1-800-4-LENNOX

NOTE - Due to Lennox' ongoing commitment to quality, Specifications, Ratings and Dimensions subject to change without notice and without incurring liability. Improper installation, adjustment, alteration, service or maintenance can cause property damage or personal injury. Installation and service must be performed by a qualified installer and servicing agency.

©2022 Lennox Industries, Inc.