



538334-01

01

02

03

04

05

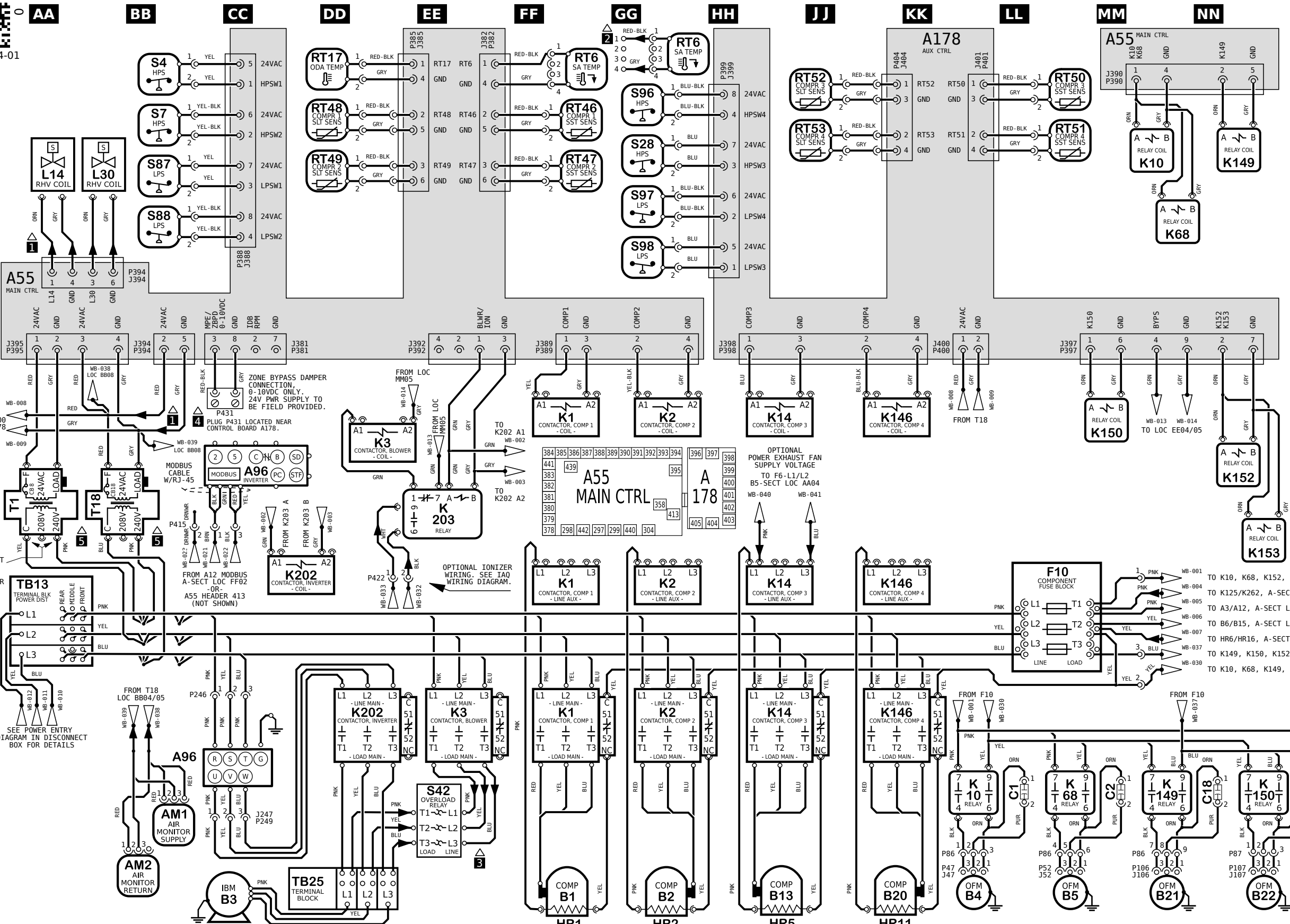
06

07

08

09

10



KEY LIST		
LOCATION	COMPONENT DESCRIPTION	
CC05/08	A96	CONTROL INVERTER, BLOWER
BB09	AM1, AM2	AIR MONITOR, SUPPLY/RETURN, IAQ-TVOC
FF/GG/JJ/KK/10	B1, B2, B13, B20	COMPRESSOR 1, 2, 3, 4
CC10	B3	MOTOR, BLOWER
LL10	B4, B5	MOTOR, OUTDOOR FAN 1, 2
MM/NN10	B22, B23	MOTOR, OUTDOOR FAN 4, 5
PP10	B21, B24	MOTOR, OUTDOOR FAN 3, 6
LL09	C1, C2	CAPACITOR, OUTDOOR FAN 1, 2
PP09	C19, C20	CAPACITOR, OUTDOOR FAN 4, 5
NN/RR09	C18, C21	CAPACITOR, OUTDOOR FAN 3, 6
LL07	F10	FUSE, COMPONENT
FF/GG/JJ/KK10	HR1, HR2, HR5, HR11	HEATER, COMPRESSOR 1, 2, 3, 4
FF/GG05,06,08	K1, K2	CONTACTOR, COMPRESSOR 1, 2
JJ/KK05,06,08	K14, K146	CONTACTOR, COMPRESSOR 3, 4
DD05/EE08	K3	CONTACTOR, BLOWER
MM/NN02,LL/MM09	K10, K68, K149	RELAY, OUTDOOR FAN 1, 2, 3
MM/NN05,PP/QQ09	K150, K152, K153	RELAY, OUTDOOR FAN 4, 5, 6
DD06/08	K202	CONTACTOR, INVERTER
EE06	K203	RELAY, INVERTER CONTROL
AA02	L14, L30	VALVE, SOLENOID, REHEAT COIL 1, 2
GG01	RT6	SENSOR, A55 DISCHARGE (IMC)
DD01	RT17	SENSOR, OUTSIDE AIR TEMP
GG02,MM01/02	RT46, RT47, RT50, RT51	SENSOR, SAT. SUCT TEMP., COMP 1, 2, 3, 4
DD01/02, JJ01/02	RT48, RT49, RT52, RT53	SENSOR, SAT. LIQUID TEMP., COMP 1, 2, 3, 4
BB01/02, GG02/01	S4, S7, S28, S96	LIMIT, HI PRESS. SWITCH, COMP 1, 2, 3, 4
EE09	S42	OVERLOAD, RELAY, BLOWER MOTOR
BB02/03, GG03/02	S87, S88, S98, S97	SWITCH, LOW PRESS., COMP. 1, 2, 3, 4
AA08	T1	TRANSFORMER, CONTROL
BB06	T18	TRANSFORMER, CONTACTOR
AA07	TB13	TERMINAL STRIP, POWER DISTRIBUTION
DD10	TB25	TERMINAL STRIP, BLOWER

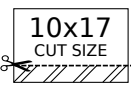
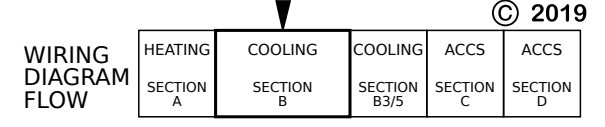
- NOTES**
- ONLY ON UNITS WITH HUMIDITROL OPTION
 - FOR REMOTE LOCATION OF RT6, ADD THE EXTENSION HARNESS
 - S42 USED ON UNITS WITH 10HP MOTORS
 - LIMIT, HI PRESS. SWITCH, COMP 1, 2, 3, 4 CONFIGURED FOR CAV OPERATION
 - MOVE WIRES FROM 240 TO 208 TAP ON TRANSFORMER FOR 208 VOLT APPLICATIONS

← DENOTES OPTIONAL COMPONENTS AND WIRING

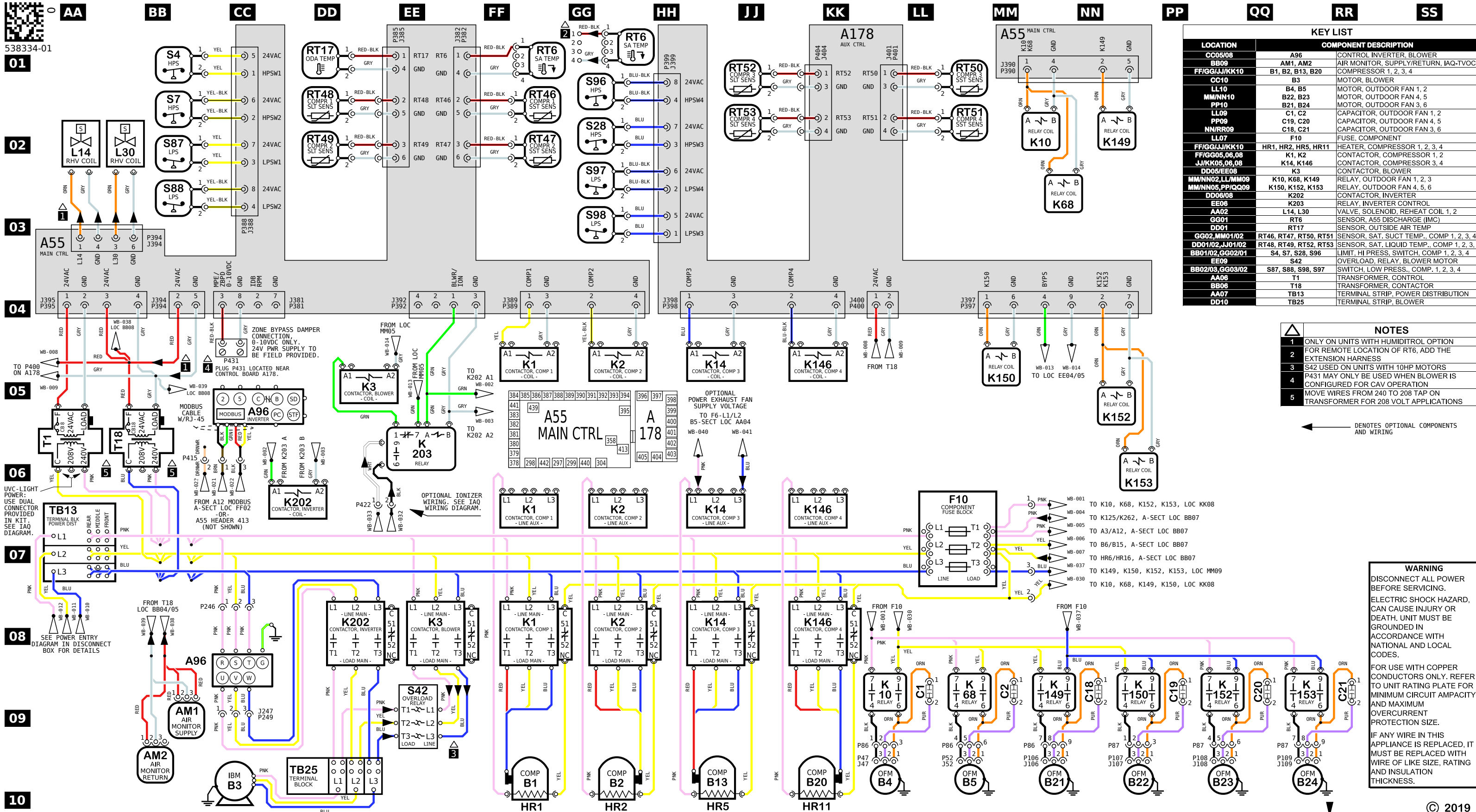
WARNING
DISCONNECT ALL POWER BEFORE SERVICING. ELECTRIC SHOCK HAZARD. CAN CAUSE INJURY OR DEATH. UNIT MUST BE GROUNDED IN ACCORDANCE WITH NATIONAL AND LOCAL CODES.
FOR USE WITH COPPER CONDUCTORS ONLY. REFER TO UNIT RATING PLATE FOR MINIMUM CIRCUIT AMPACITY AND MAXIMUM OVERCURRENT PROTECTION SIZE.
IF ANY WIRE IN THIS APPLIANCE IS REPLACED, IT MUST BE REPLACED WITH WIRE OF LIKE SIZE, RATING AND INSULATION THICKNESS.

Model: LGT, LCT 302, 360 - Y-VOLT
COOLING - MSAV WITH BYPASS

Voltage: 208-240V/3~/60Hz (Y)
Supersedes: N/A Form No: 538334-01 Rev: 0



REV	EC NO.	DATE	BY	APVD	REVISION NOTE
---	CN-012295C	04-02-2024	MXR6	MXT5	ORIGINATED AT PD&R CARROLLTON, TX



KEY LIST		
LOCATION	COMPONENT DESCRIPTION	
CC05/08	A96	CONTROL INVERTER, BLOWER
BB09	AM1, AM2	AIR MONITOR, SUPPLY/RETURN, IAQ-TVOC
FF/GG/JJ/KK/10	B1, B2, B13, B20	COMPRESSOR 1, 2, 3, 4
CC10	B3	MOTOR, BLOWER
LL10	B4, B5	MOTOR, OUTDOOR FAN 1, 2
MM/NN/10	B22, B23	MOTOR, OUTDOOR FAN 4, 5
PP10	B21, B24	MOTOR, OUTDOOR FAN 3, 6
LL09	C1, C2	CAPACITOR, OUTDOOR FAN 1, 2
PP09	C19, C20	CAPACITOR, OUTDOOR FAN 4, 5
NN/RR09	C18, C21	CAPACITOR, OUTDOOR FAN 3, 6
LL07	F10	FUSE, COMPONENT
FF/GG/JJ/KK/10	HR1, HR2, HR5, HR11	HEATER, COMPRESSOR 1, 2, 3, 4
FF/CC05,06,08	K1, K2	CONTACTOR, COMPRESSOR 1, 2
JJ/KK05,06,08	K14, K146	CONTACTOR, COMPRESSOR 3, 4
DD05/EE08	K3	CONTACTOR, BLOWER
MM/NN/02, LL/MM09	K10, K68, K149	RELAY, OUTDOOR FAN 1, 2, 3
MM/NN05, PP/QQ09	K150, K152, K153	RELAY, OUTDOOR FAN 4, 5, 6
DD06/08	K202	CONTACTOR, INVERTER
EE06	K203	RELAY, INVERTER CONTROL
AA02	L14, L30	VALVE, SOLENOID, REHEAT COIL 1, 2
GG01	RT6	SENSOR, A55 DISCHARGE (IMC)
DD01	RT17	SENSOR, OUTSIDE AIR TEMP
GG02, MM01/02	RT46, RT47, RT50, RT51	SENSOR, SAT. SUCT TEMP., COMP 1, 2, 3, 4
DD01/02, JJ01/02	RT48, RT49, RT52, RT53	SENSOR, SAT. LIQUID TEMP., COMP 1, 2, 3, 4
BB01/02, GG02/01	S4, S7, S28, S96	LIMIT, HI PRESS. SWITCH, COMP 1, 2, 3, 4
EE09	S42	OVERLOAD, RELAY, BLOWER MOTOR
BB02/03, GG03/02	S87, S88, S98, S97	SWITCH, LOW PRESS., COMP. 1, 2, 3, 4
AA08	T1	TRANSFORMER, CONTROL
BB06	T18	TRANSFORMER, CONTACTOR
AA07	TB13	TERMINAL STRIP, POWER DISTRIBUTION
DD10	TB25	TERMINAL STRIP, BLOWER

- NOTES**
- ONLY ON UNITS WITH HUMIDITROL OPTION
 - FOR REMOTE LOCATION OF RT6, ADD THE EXTENSION HARNESS
 - S42 USED ON UNITS WITH 10HP MOTORS
 - LIMIT, HI PRESS. SWITCH, COMP 1, 2, 3, 4 CONFIGURED FOR CAV OPERATION
 - MOVE WIRES FROM 240 TO 208 TAP ON TRANSFORMER FOR 208 VOLT APPLICATIONS

← DENOTES OPTIONAL COMPONENTS AND WIRING

WARNING
DISCONNECT ALL POWER BEFORE SERVICING. ELECTRIC SHOCK HAZARD. CAN CAUSE INJURY OR DEATH. UNIT MUST BE GROUNDED IN ACCORDANCE WITH NATIONAL AND LOCAL CODES.
FOR USE WITH COPPER CONDUCTORS ONLY. REFER TO UNIT RATING PLATE FOR MINIMUM CIRCUIT AMPACITY AND MAXIMUM OVERCURRENT PROTECTION SIZE.
IF ANY WIRE IN THIS APPLIANCE IS REPLACED, IT MUST BE REPLACED WITH WIRE OF LIKE SIZE, RATING AND INSULATION THICKNESS.

Model: LGT, LCT 302, 360 - Y-VOLT COOLING - MSAV WITH BYPASS Voltage: 208-240V/3~/60Hz (Y) Supersedes: N/A Form No: 538334-01 Rev: 0

© 2019

HEATING SECTION A	COOLING SECTION B	COOLING SECTION B3/5	ACCS SECTION C	ACCS SECTION D
-------------------	-------------------	----------------------	----------------	----------------

10x17 CUT SIZE

REV	EC NO.	DATE	BY	APVD	REVISION NOTE
---	CN-012295C	04-02-2024	MXR6	MXT5	ORIGINATED AT PD&R CARROLLTON, TX