



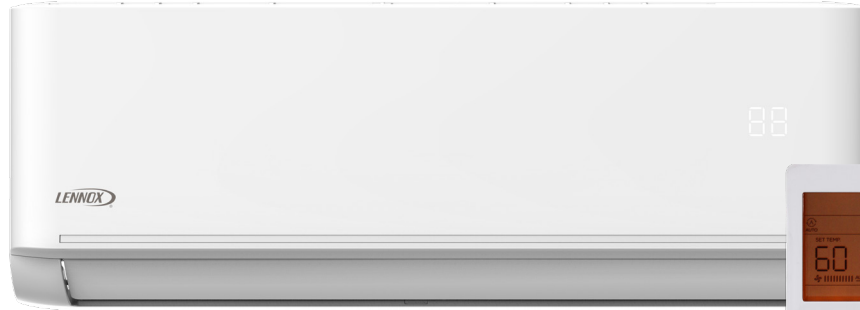
**MHB**

**Mini-Split**

**Single Zone Ductless Heat Pump Systems - R-410A - 60 Hz**

**RESIDENTIAL / COMMERCIAL  
PRODUCT SPECIFICATIONS**

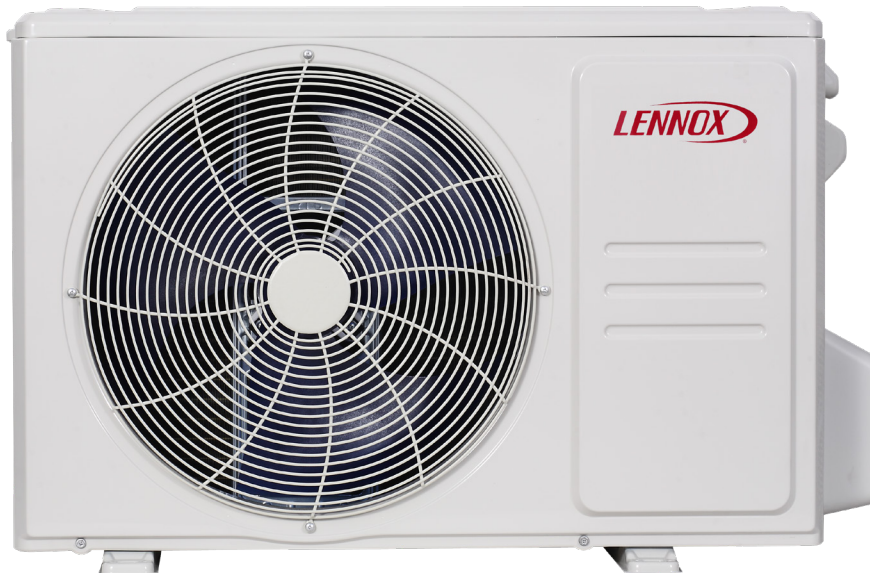
Bulletin No. 210963  
July 2023  
Supersedes June 2023



**MWHB Wall-Mounted  
Ductless Indoor Unit**



**Wireless  
Remote Control  
(furnished with  
Wall-Mount Model)**

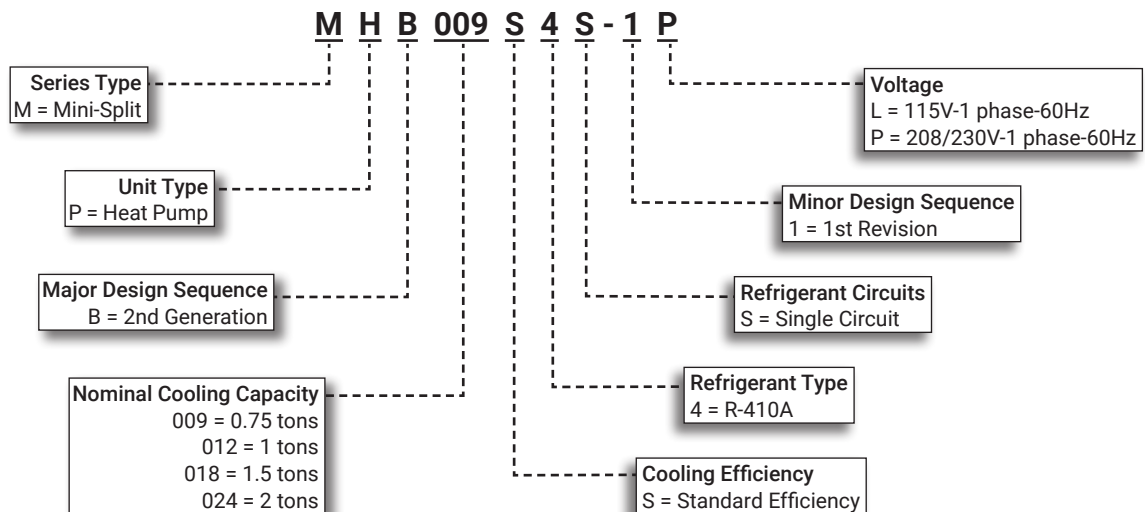


**MHB Outdoor Air  
Heat Pump Unit**

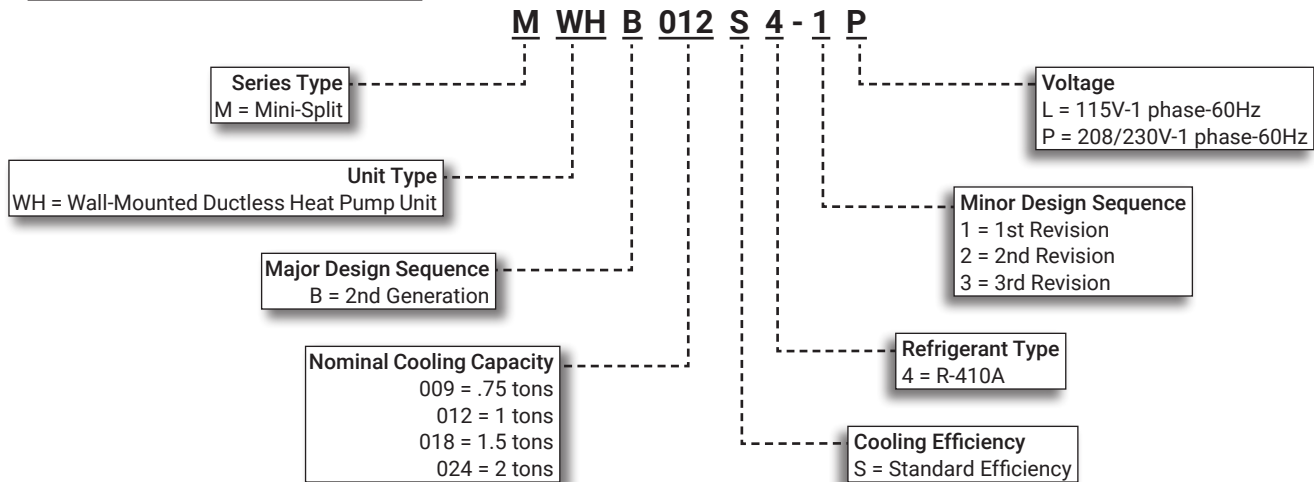
**SEER2 up to 21.7 / SEER up to 21.5  
HSPF2 up to 9.4 / HSPF up to 10.8  
0.75 to 2 Tons  
Cooling Capacity - 9,000 to 24,000 Btuh  
Heating Capacity - 10,000 to 24,000 Btuh**

## MODEL NUMBER IDENTIFICATION

### OUTDOOR SINGLE ZONE AIR CONDITIONING UNITS



### WALL-MOUNTED INDOOR UNITS



## CONTENTS

AHRI System Matches . . . . .	15
Air Throw Data. . . . .	24
Approvals And Warranty . . . . .	3
Cooling Capacity . . . . .	18
Dimensions . . . . .	25
- Outdoor Units . . . . .	25
- Wall-Mounted Indoor Units . . . . .	28
Features . . . . .	3
Heating Capacity . . . . .	18
Installation Clearances . . . . .	31
- Outdoor Units . . . . .	31
- Wall-Mounted Indoor Units . . . . .	32
Line Set And Elevation Guidelines . . . . .	32
Model Number Identification. . . . .	2
Optional Accessories - Order Separately . . . . .	16
Remote Controller - Furnished . . . . .	5
Remote Controllers - Optional . . . . .	8
Sound Levels . . . . .	17
Specifications . . . . .	14
- Outdoor Units . . . . .	14
- Wall-Mounted Indoor Units . . . . .	15

## APPROVALS AND WARRANTY

### **APPROVALS**

- AHRI Standard 210/240-2023 certified
- Rated According to U.S. Department of Energy (DOE) test procedures
- Indoor and outdoor units and components UL and CEC bonded for grounding to meet safety standards for servicing
- ETL certified for the U.S. and Canada
- Meets 2014 Florida Building Code Wind Design Criteria
  - Ultimate Wind Speed – 186 miles per hour
  - Risk Categories – III and IV
  - Wind Exposures – C and D
  - Mean Roof Heights – Up to 60 feet above ground

### **WARRANTY**

- Compressor - Limited seven years
- All other covered components - Limited five years

**NOTE** - Refer to Lennox Basic Limited Warranty at [www.Lennox.com](http://www.Lennox.com) for additional details.

## FEATURES

### **APPLICATIONS**

- SEER - Up to 21.50
- HSPF - Up to 10.8
- 0.75 through 2 ton
- Single phase power supply
- 115V (009-012 models only)
- 208/230V (all models)
- Outdoor unit sound levels as low as 53.5 dBA
- Indoor unit sound levels as low as 20 dBA
- Ductless mini-split systems provide a wide range of capacities and applications and provide an alternative when a ducted system is impractical or cost prohibitive
- Units shipped completely factory assembled, internally piped, and wired
- Installer must set outdoor unit, hang indoor unit, connect refrigerant lines, and make electrical connections to complete job

**NOTE** - Outdoor unit is designed for outdoor location only.

### **REFRIGERATION SYSTEM**

#### **R-410A Refrigerant**

- Non-chlorine, ozone friendly
- Unit is factory pre-charged

#### **Outdoor Coil**

- Aluminum fins fitted to copper tubes
- Wire grille guard provided

#### **Outdoor Fan**

- Direct drive fan moves large air volumes uniformly through entire outdoor coil for high refrigeration capacity
- Fan guard provided

#### **Refrigerant Line Connections, Service Valve**

- Flare connection lines are located on side of unit cabinet
- Fully serviceable brass service valve prevents corrosion and provides access to refrigerant system

- Shut-off valve can be fully shut off while 3-way service valve (with service port) may be accessed to manage refrigerant charge while servicing system

### **COMPRESSOR**

#### **Variable Frequency Rotary Compressor**

- Compressor features high efficiency operation
- Balanced for reduced vibration and quiet operation
- Brushless DC motor uses powerful Neodymium magnets, which are approximately 15-20 times stronger than ferrite magnets used in conventional AC compressors

#### **Compressor Crankcase Heater**

- Protects against liquid refrigerant migration that can occur during low ambient operation

### **CONTROLS**

#### **DC Inverter Control**

- Provides continuous operation, while adjusting capacity according to room temperature
- The accurate sensing of cooling loads prevents frequent changes in capacity and ensures efficient, economical operation

#### **Inverter Module Protection**

- Protects against differences in current, voltage and temperature
- Displays code on the indoor unit indicating a need for servicing

#### **Outdoor Unit Microprocessor**

- Electronic expansion valve control
- Automatic compressor timed-off protection (3 minutes)
- Temperature sensor
- LEDs on control display error codes and assist in troubleshooting
- 4-Way reversing valve control

## FEATURES

### **REFRIGERATION SYSTEM (continued)**

#### **Capillary Tube Refrigerant Metering**

- Refrigerant metering device consisting of small diameter tubes feeding liquid refrigerant into the evaporator coil
- Furnished on all units

#### **Check Valve**

- Bypasses refrigerant during the reverse heating cycle
- Furnished on all models

#### **Compressor Overcurrent Protection**

- Overcurrent protection can result due to any of the following:
  - Ambient temperature is too high
  - Locked rotor on the compressor
  - Outdoor air is blocked or restricted

#### **Condenser High Temperature Protection**

- Condenser high temperature can occur due to any of the following conditions:
  - High outdoor ambient
  - Outdoor fan blocked
  - Outdoor coil blocked
- The outdoor coil thermistor continuously monitors the temperature and communicates with the microprocessor
- Depending on the temperature measured, the compressor will be allowed to increase the frequency if needed to meet the load or is forced to run at the current or reduced frequency
- If the temperature becomes excessively high the compressor will be de-energized

#### **Compressor Discharge Temperature Protection**

- The compressor discharge line thermistor continuously monitors the temperature and communicates with the microprocessor
- Depending on the temperature measured, the compressor will be allowed to increase the frequency to meet the load or is forced to run at the current or reduced frequency
- If the temperature becomes excessively high, the compressor will be de-energized

#### **Voltage Protection**

- Protects unit from low or high voltage fluctuations

#### **Terminal Strip**

- Furnished for easy wiring connections

#### **Defrost Control**

- Defrost cycle is automatically enabled if there is a build-up of frost on the outdoor coil
- Outdoor fan and indoor blower operation is terminated during the defrost cycle
- Defrost LED is lit on the indoor unit panel on the front cover during a defrost cycle

#### **Reversing Valve**

- Rapid changeover of refrigerant flow direction from cooling to heating and vice versa
- Operates on pressure differential between outdoor unit and indoor unit

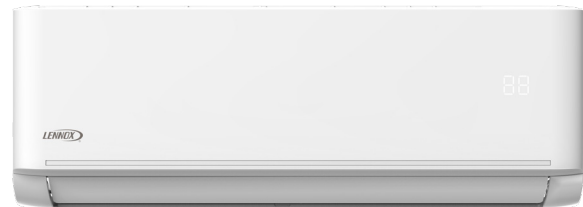
### **CABINET**

- Constructed of heavy gauge steel
- Tabs on unit base allow secure mounting to slab
- Condensate drain outlets furnished on unit base

**NOTE** - Drain must be field furnished.

- Access cover for power and control wiring connections
- Access cover for service valves

### **WALL-MOUNTED INDOOR UNITS**

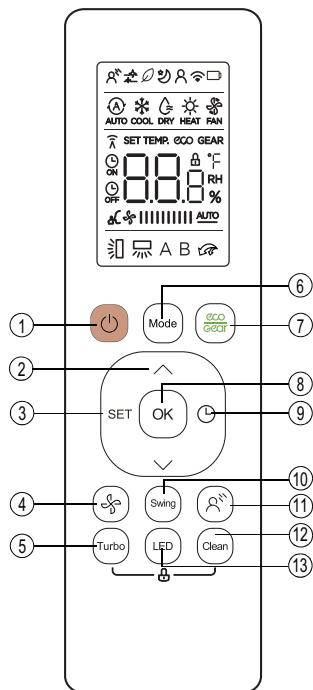


- Low-sound, three-speed Wall Mount with LED display offers three access points for refrigerant outlet pipes: left, right or rear
- The front panel can be raised for accessible wiring and maintenance
- Swing louver angles to 90°
- Unit installs horizontally on a vertical wall
- **Pre-Heat Function** - Delays the operation of the fan until the indoor coil has reached a pre-determined temperature which prevents the discharge of cold air while the system is operating in the "heating" mode
- **LED Readout** - Mounted on unit. LED displays unit operation status, and codes for maintenance and servicing
- **Auto Restart** - Automatically restores the previous function setting if power is interrupted
- **Cooling Override** - Button on the indoor unit allows a temporary 30 minute override of the system for forced "AUTO" or "COOLING" operation
- **Flare Connections** - Equipped with liquid and gas flare fittings for quick and secure piping
- **Multi-Refrigerant Outlet** - Allows left, right, or rear access for refrigeration line connection
- **Three Speed Fan** - Fan functions at three speeds: low, medium and high
- **Air Filter** - Cleanable air filter is furnished as standard
- **Wireless Remote Controller** - Furnished as standard, see Page 5

## REMOTE CONTROLLER - FURNISHED

### WIRELESS REMOTE CONTROLLER (RG10B-CSWHB)

- Complete remote control of system
- Maximum operating range is 25 ft.
- Operates on two AAA 1.5V batteries (furnished)
- Wireless remote controller holder furnished
- Holder can be mounted on a wall for easy access
- Mounting screws furnished



#### 1 ON/OFF Button

- Turns system on and off

#### 2 UP/DOWN Buttons ^ v

- Increase or decrease the indoor temperature in one degree increments (maximum 86°F, minimum 60°F)

**NOTE** - Temperature cannot be adjusted in FAN mode.

**NOTE** - Press and hold and buttons together for 3 seconds to alternate the temperature display between the °F and °C scale.

#### 3 SET Button

- Scrolls through unit operations in this order:

1. Sleep
2. Follow Me

**NOTE** - The selected symbol will flash on the display area. Press the OK button to confirm.

#### 4 FAN Button

- Cycles fan speeds in the following order:
  - AUTO → 20% → 40% → 60% → 80% → 100%

**NOTE** - Holding Fan button down for 2 seconds will activate **Silence** feature.

#### 5 TURBO Button

- Enables the unit to reach the preset temperature during cooling or heating operation in the shortest time

#### 6 MODE Button

- Select system operation modes
- Press button to cycle through each setting:
  - AUTO → COOL → DRY → HEAT → FAN

#### 7 ECO/GEAR Button

- Controls temperature/energy efficiency of the unit

**NOTE** - Only available in cooling mode.

##### ECO Operation

- Sets unit to 75°F unit operation if setpoint is lower
- Sets fan to Auto operation if setpoint is over 75°F

**NOTE** - If setpoint is manually changed to less than 75°F, ECO operation is canceled.

##### GEAR Operation

- Reduces electrical consumption to 75% or 50%

#### 8 OK Button

- Confirms selected function

#### 9 TIMER Button

- Initiates an auto-on or auto-off time sequence
- Press TIMER button to initiate the ON time sequence
- Press Temp. up or down button for multiple times to set the desired time to turn on the unit
- Press TIMER button to initiate the OFF time sequence.

**NOTE** - Each press of the button increases or decreases the time (depending on function) in 30 minute increments up to 10 hours.

Above 10 hours each press of the button will increase or decrease the auto-timed setting by 60 minutes up to 24 hours.

To cancel, set timer to 0.0 or turn remote off and on.

#### 10 SWING Button

- Used to stop or start louver auto swing feature

#### 11 BREEZE AWAY Button

- Prevents unit from blowing air directly on a person

**NOTE** - Only available in COOL, FAN or DRY modes.

#### 12 CLEAN Button

- Start/stop the Active Clean function (see description on Page 7)

#### 13 LED Button

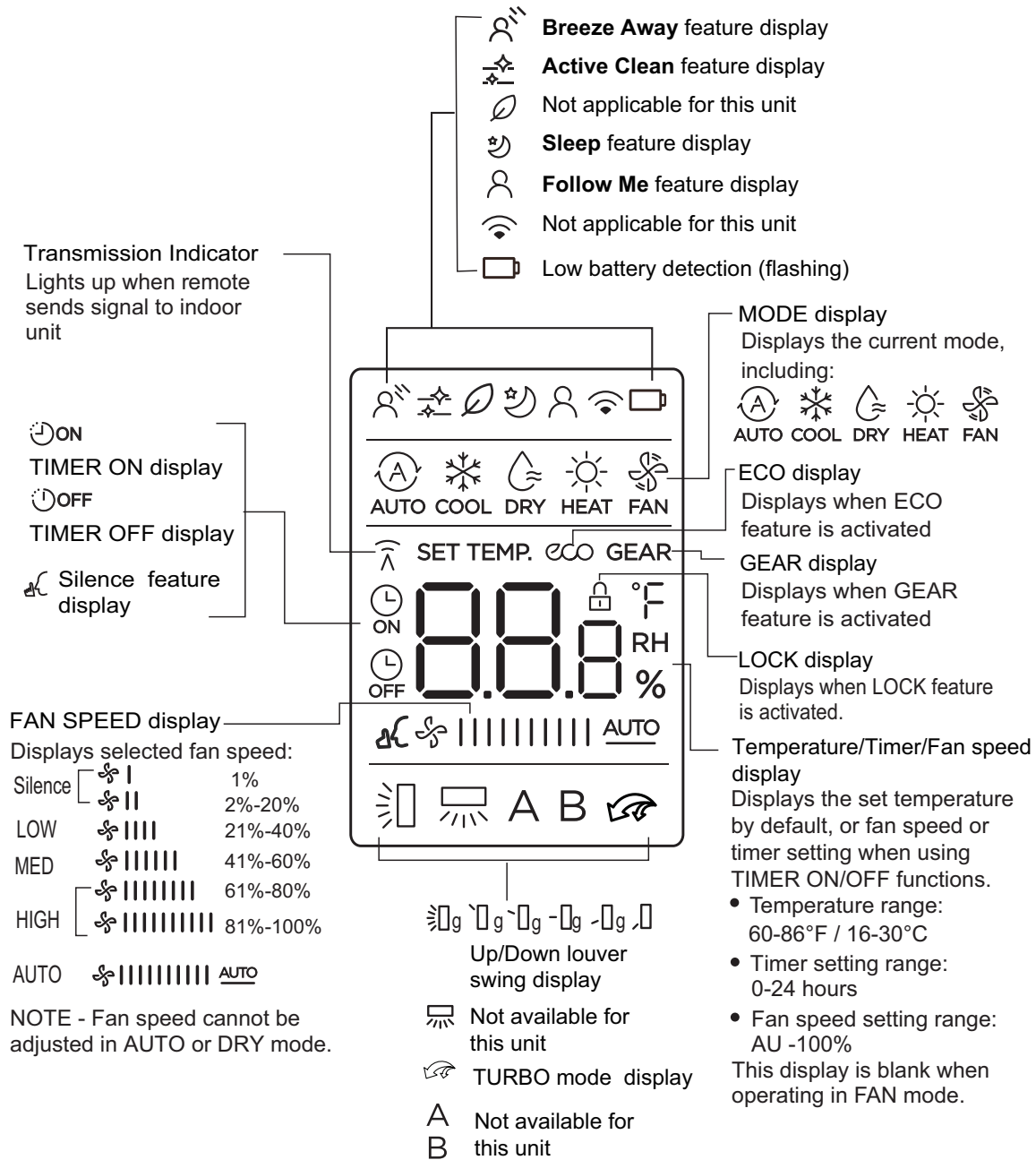
- Turns the LCD display backlight on the indoor unit on or off

**NOTE** - Press and hold the button for 5 seconds to display the actual room temperature. Press more than 5 seconds to revert back to display set temperature.

# REMOTE CONTROLLER - FURNISHED

## WIRELESS REMOTE CONTROLLER INDICATORS (RG10B-CSWHB)

Information is displayed when the Wireless Remote Controller is powered on.



**Note:**

All icons are shown for display purposes only.  
During actual unit operation, only active icons are displayed.



## REMOTE CONTROLLER - FURNISHED

### WIRELESS REMOTE CONTROLLER OPERATION (RG10B-CSWHB)

#### Auto Operation

1. Press the **MODE** button to select **AUTO**.
2. Press the **UP/DOWN** button to set the desired temperature.
3. Press the **ON/OFF** button to start the system.

#### Cooling /Heating/Fan Operation

1. Press the **MODE** button to select **COOL, HEAT** or **FAN** mode.
2. Press the **UP/DOWN** buttons to set the desired temperature.
3. Press the **FAN** button to select the fan speed in four steps- Auto, Low, Med or High.
4. Press the **ON/OFF** button to start the system.

#### Dehumidifying (DRY) Operation

1. Press the **MODE** button to select **DRY** mode.
2. Press the **UP/DOWN** buttons to set the desired temperature.
3. Press the **ON/OFF** button to start the system.

**NOTE** - Fan speed selection is disabled.

#### Timer ON/OFF Operation

1. Press the **TIMER** button. The remote controller shows **TIMER ON** or **TIMER OFF** icon
2. Press the **TIMER** button again to set desired time. Each time the button is pressed the time increases by 30 minutes between 0 and 10 hours and then by 60 minutes between 10 and 24 hours.
3. After setting the **TIMER ON** or **TIMER OFF** there will be a one second delay before the remote controller transmits the signal to the unit. After approximately 2 seconds the set temperature will re-appear on the LCD display window.

#### Silence Operation

1. Press the **FAN** button for more than 2 seconds to activate or disable the Silence function

#### Lock Function

1. Press the **TURBO** and **CLEAN** buttons together two times in less than one second to lock the Controller to prevent tampering
2. Press the **TURBO** and **CLEAN** together buttons again for two seconds to unlock the Controller

#### Swing Function

1. Press the **Swing** button to activate up/down louver operation. Louvers oscillate up and down automatically. Press and hold the Swing button again to disable.

**NOTE** - Pressing the Swing button multiple times will set the louvers at five different fixed airflow angles.

### SET BUTTON FUNCTIONS

#### Sleep

- Enables the system to automatically increase cooling or decrease heating (in 2°F increments) per hour for the first 2 hours, then maintain a steady temperature for 8 hours
- System returns to the previous operating mode after 8 total hours of operation

**NOTE** - To cancel, push the "MODE", "FAN SPEED" or "ON/OFF" buttons.

SLEEP mode is only available when the unit is in COOL, HEAT or AUTO mode

#### Follow Me

- Allows remote temperature sensing of the room at the remote controller location

### CLEAN FUNCTION

#### Active Clean

- Washes away dust, mold, and grease that may cause odors when it adheres to the indoor coil by automatically freezing and then rapidly thawing the coil
- Indoor unit displays "CL"
- After 20 to 45 minutes the unit will automatically cancel the operation

**NOTE** - Only available in COOL or DRY modes.

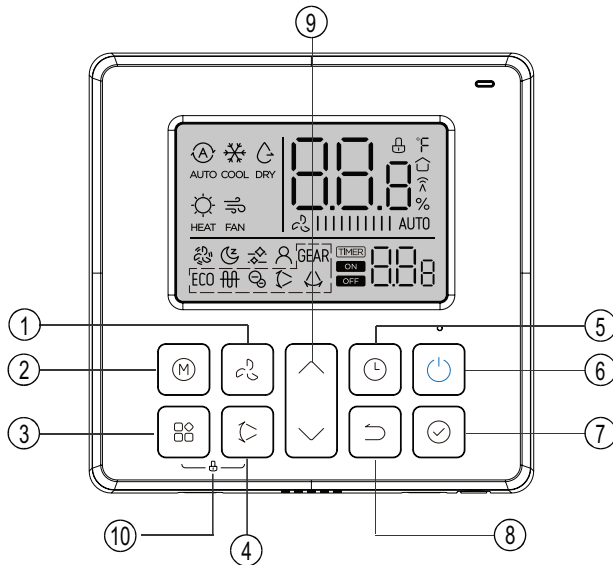
## REMOTE CONTROLLERS - OPTIONAL

### WIRED REMOTE CONTROLLER (M0STAT120L-1)



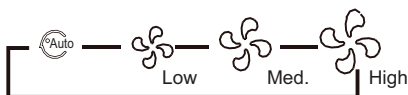
#### FEATURES

- Built-In Memory - Maintains clock, fan speed and mode of operation settings following power outages
- Dimensions (H x W x D) - 4-3/4 x 4-3/4 x 7/8 in.
- Additional hardware is furnished for installation
- 3-1/2 in. back-lit LCD display screen
- Wiring - Controller uses 5-wire shielded 20 ft. cable (furnished) for easy low voltage connection to the indoor unit
- Maximum cable length is 59 ft.



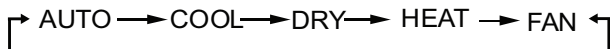
#### 1 FAN SPEED Button

- Selects fan speed. Each button press cycles through the following settings on display



#### 2 MODE Button

- Select system operation modes. Push button to cycle through each setting



#### 3 FUNCTION Button

- Scrolls through unit operations in this order:

1. Turbo
2. Sleep
3. Active Clean
4. Follow Me

#### 4 SWING Button

- Used to stop or start louver auto swing feature (certain models)
- Louvers oscillate up and down automatically. Press and hold the Swing button again to disable.
- Pressing the Swing button multiple times will set the louvers at five different fixed airflow angles.
- Press and hold Swing button for 2 seconds to activate left/right louver operation. Louvers swing left and right automatically.

#### 5 TIMER Button

- TIMER ON (initiates an auto-on time sequence)
- TIMER OFF (initiates an auto-off time sequence) can be used separately or together
- Each press of the button increases the time in 30 minute increments up to 10 hours
- Above 10 hours each press of the button will increase the auto-timed setting by 60 minutes up to 24 hours

#### 6 POWER Button

- Turns system on and off

#### 7 CONFIRM Button

- Confirms selected function

**NOTE** - Press and hold and **Arrow Up** Button and the **Arrow Down** button together for 3 seconds to alternate the temperature display between the °F and °C scale.

#### 8 BACK Button

- Returns to the previous step

#### 9 UP/DOWN Buttons

- Increase or decrease the indoor temperature in two degree increments (maximum 86°F, minimum 60°F).

**NOTE** - Temperature cannot be adjusted in FAN mode.

#### 10 LOCK

- Press the **Function** and **Swing** buttons simultaneously to lock or unlock the Controller to prevent tampering with settings

### OPTIONAL ACCESSORIES

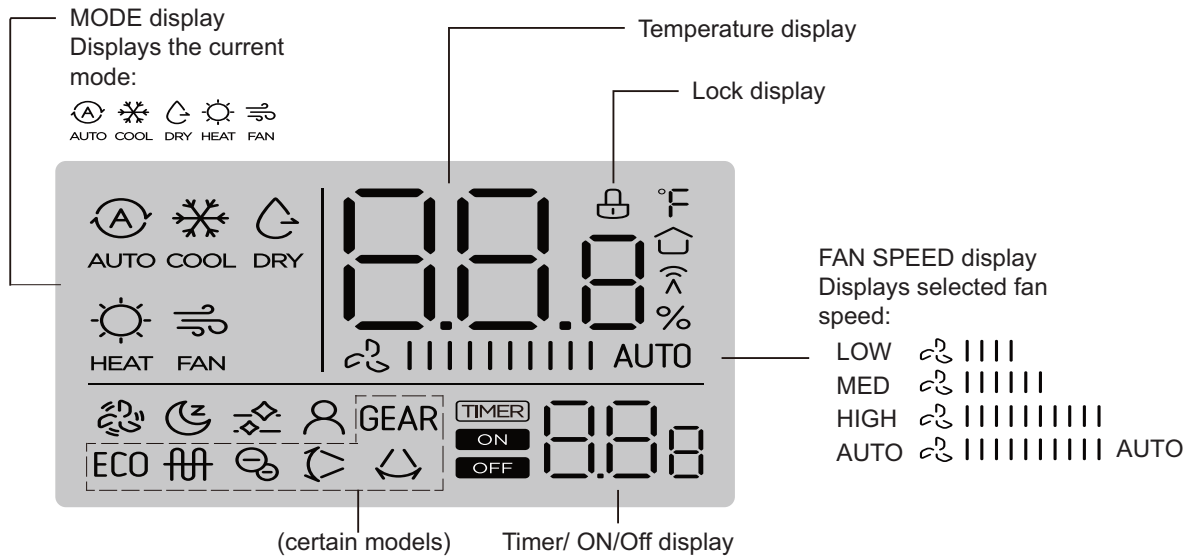
#### Extension Cable for Wired Remote Controller

- 20 ft. cable for easy low voltage connection to the indoor unit
- Extends cable to maximum 65 ft. length



# REMOTE CONTROLLERS - OPTIONAL

## WIRED REMOTE CONTROLLER INDICATORS (M0STAT120L-1)



°F °F / °C display	🌀 Turbo feature display	⚙️ GEAR GEAR feature display (certain models)
🏠 Room temperature display	🌀 Active clean display	🌿 ECO ECO feature display (on certain models)
🧑 Follow me feature display	🌙 SLEEP feature display	🌿 Electric heating display (certain models)
🌀 Not used	🌀 UP and down swing (certain models)	🌀 Left and right swing (certain models)

**NOTE:**  
 All icons are shown for display purposes only.  
 During actual unit operation, only active icons are displayed.

## REMOTE CONTROLLERS - OPTIONAL

### WIRED PROGRAMMABLE CONTROLLER (M0STAT120N-1)



#### FEATURES

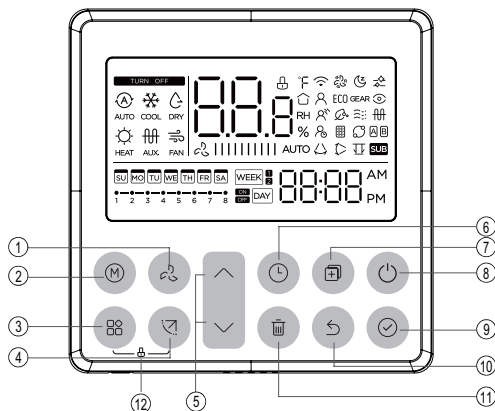
- Wired programmable local controller for mini-split indoor units with convenient timed schedules for daily operation
- Weekly timers (2), all days of the week timer, up to 8 scheduled events per day
- Schedule start time, mode, setpoint, and fan speed
- Compatible with all indoor units
- Copy/paste function for easy duplication of events to other days
- Built-in system diagnostics
- 3-1/2 in. back-lit LCD display screen
- Controller uses 4-wire shielded 20 ft. cable (furnished) for easy low voltage connection to the indoor unit
- Adaptor cables are furnished for various indoor unit connections

**NOTE** - Cable for longer lengths must be ordered separately.

**NOTE** - Maximum cable length is 164 ft..

- Hardware for mounting furnished
- Mounts to standard electrical junction box (not furnished)
- Lithium battery furnished: CR2032
- Power Supply: 12 VDC
- Dimensions (H x W x D): 4-3/4 x 4-3/4 x 7/8 in.
- Audible tone when a button is pressed (can be disabled)
- Lock function disables buttons to prevent tampering

#### DISPLAY



#### BUTTONS AND FUNCTIONS

- FAN SPEED Button**
  - Scroll through fan speeds (Auto - Low - Med - High)
- MODE Button**
  - Use + and - buttons to scroll through available operation modes (Auto / Cool / Dry / Heat / Fan)
- FUNCTION Button**
  - Scrolls through unit operations in this order:
    1. Turbo
    2. Sleep
    3. Follow Me
- SWING Button**
  - Used to stop or start louver auto swing feature (certain models)
  - Louvers oscillate up and down automatically. Press and hold the Swing button again to disable.
  - Pressing the Swing button multiple times will set the louvers at five different fixed airflow angles.
  - Press and hold Swing button for 2 seconds to activate left/right louver operation. Louvers swing left and right automatically.
- UP/DOWN Buttons**
  - Increase or decrease the indoor temperature in one degree increments (maximum 86°F, minimum 60°F).
  - NOTE** - Temperature cannot be adjusted in FAN mode.
- TIMER Button**
  - Sets unit for daily or weekly on/off operation
- COPY Button**
  - Copy schedules from one day to another
- POWER Button**
  - Turn system on and off
- CONFIRM Button**
  - Confirms each step when managing schedules
  - NOTE** - Press and hold and **Confirm** Button and the **Arrow Down** button together for 3 seconds to alternate the temperature display between the °F and °C scale.
- BACK Button**
  - Returns to the previous step
- DAY OFF/DELAY BUTTON**
  - Disable specific days/schedules of the week
  - Delete a specific event
- LOCK**
  - Press the **Function** and **Swing** buttons simultaneously to lock the Controller to prevent tampering with settings

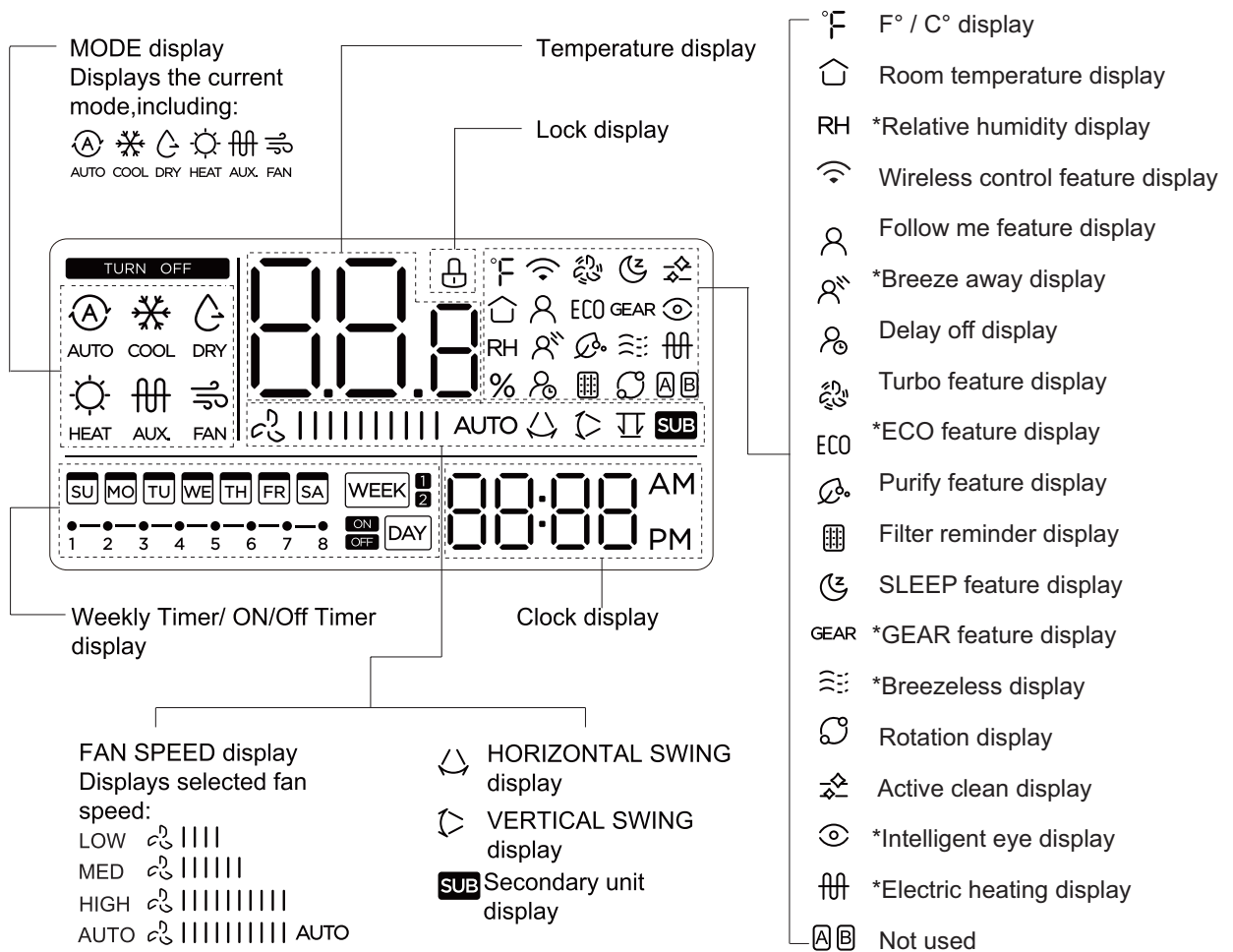
#### OPTIONAL ACCESSORIES

##### Extension Cable for Wired Programmable Controller

- 20 ft. cable for easy low voltage connection to the indoor unit
- Extends cable to 40 ft. (12 m) length

# REMOTE CONTROLLERS - OPTIONAL

## WIRED PROGRAMMABLE REMOTE CONTROLLER INDICATORS (M0STAT120N-1)



**NOTE:**  
 All icons are shown for display purposes only.  
 During actual unit operation, only active icons are displayed.

*\*Certain Models*

## OPTIONAL ACCESSORIES - ORDER SEPARATELY

### OUTDOOR UNITS

#### Condenser Pad

- Provides permanent foundation for outdoor units
- One-piece lightweight structural foam and molded from high-density polyethylene (HDPE)
- Lightweight, easy to carry and install
- Textured finish provides a non-skid surface so outdoor unit sits securely in one place
- UV stable

#### Disconnects

- Positive unit disconnect
- Single door enclosure
- Fused and non-fused models available

#### Fuses

- 30 and 60 amp fuses available

#### Hail Guards

- Protects outdoor coils on all sides without inhibiting airflow or performance
- Self-tapping screws provided for installation
- Flat shape allows for outdoor units to be placed close together
- Each kit contains all required guards
- Order one hail guard kit per outdoor unit

#### Indoor/Outdoor Wiring Cable

- 14-gauge, 4-conductor wire
- THHN (Thermoplastic High Heat-resistant Nylon-coated) wire
- Suitable for wet or dry locations
- Rated up to 600V

#### Refrigerant Line Sets

- Refrigerant lines are shipped refrigeration clean
- Lines are cleaned, dried, pressurized and sealed at factory

#### Wall Brackets

- Heavy duty 1/8 in. thick steel brackets for supporting outdoor units
- Mount at any height to allow for easy maintenance under units
- Pre-punched holes for easy installation
- Powder coated gray finish
- Load rating 600 lbs. per pair

#### Whips

- Heavy duty electrical whips are available in 8 and 10 gauge sizes
- 6 ft. lengths
- Weatherproof metal conduit

### INDOOR UNITS

#### Condensate Pumps

- Quietly and efficiently removes condensate
- See Optional Accessories Table for available pumps

#### A/C Easy Tee® Condensate Cleanout

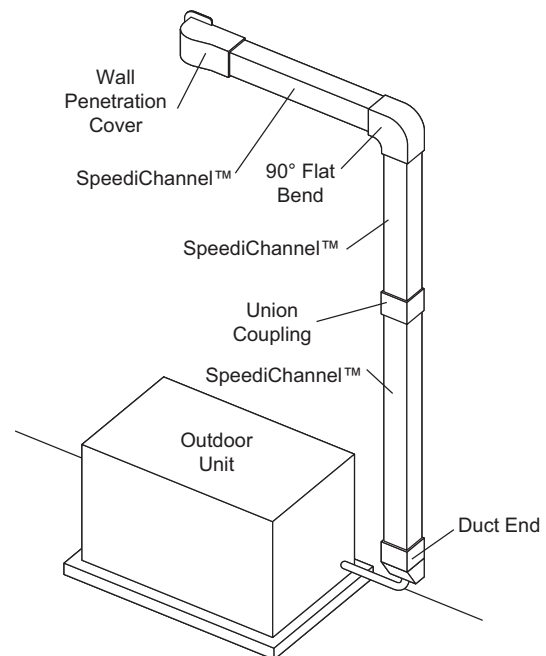
- Condensate drain service port
- Flexible and easy to use with nitrogen, water or shop vac
- Screw cap on top allows easy access to condensate drain line

### SPEEDICHANNEL™ SYSTEM



- SpeediChannel™ is a channel system covers system line sets
- Two-part system has a base and a cover
- Base is fastened to a wall or ceiling with plastic clips (SpeediClip™) that snap into a channel already molded into the base
- Cover fits on top of the base
- Manufactured from rigid PVC, which is UL rated and resistant to UV light
- System is a natural color that closely matches typical mini-split outdoor units
- Can be painted as desired to match any wall color

#### Typical Application



## OPTIONAL ACCESSORIES - ORDER SEPARATELY

### **SPEEDICHANNEL™ SYSTEM (continued)**

#### **SpeediChannel™ Starter Kit**

- The starter kit includes (1) Coupling, (1) Wall Penetration, (1) Inside Elbow, (1) Long Radius Flat Bend, (10) Speediclips™, (10) 11 in. Cable Ties, and (1) SpeediChannel Instruction Booklet

#### **Duct End**

- Duct Ends are used to terminate a run of SpeediChannel™ to a small opening just large enough for the line set and condensate drain line to pass through



#### **Flat Wall Escutcheon**

- Flat Wall Escutcheons are used to cover a rough opening in a soffit, wall, or ceiling penetration



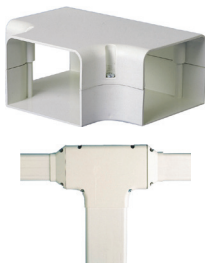
- One side of the escutcheon is flat to allow for a SpeediChannel™ to run along a wall and to penetrate through an adjacent wall or ceiling
- This is the most common type of wall penetration
- Furnished in two parts, the escutcheon easily snaps onto the SpeediChannel™

#### **Flex Joint**

- A Flex Joint is an accordion-style piece of SpeediChannel™
- The flex joint can be extremely flexible when routing a SpeediChannel™ system around an obstacle
- Each joint is 20 in. long and can be combined together for longer flex runs
- The flex joint does not require the use of a union coupling
- The flex joint slides tightly inside the SpeediChannel™ system

#### **T-Joint**

- T-Joints are used for creating a tee connection between three pieces of SpeediChannel™
- Each tee is individually packed and furnished with stainless steel screws



#### **Union Coupling**

- Union Couplings are used for joining two pieces of SpeediChannel™
- Each coupling is individually packed and furnished with stainless steel screws



#### **Wall Penetration Cover**

- Wall penetration covers are used to transition from the SpeediChannel™ system to a through wall penetration
- Wall covers are designed to allow for easy installation, even after the line set has been installed
- A hooking and fastening arrangement allows for quick installation
- Each wall cover is individually packed, and furnished with stainless steel screws to attach the wall cover to the base
- Three screws are necessary to fasten the wall cover to the wall construction, regardless of the type of installed system



#### **45° and 90° Flat Bend Elbows**

- 45° Flat Bends are used to route the SpeediChannel™ around obstacles
- Each bend is individually packed and furnished with stainless steel screws



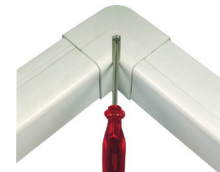
45°



90°

#### **90° Inside Elbow**

- 90° Inside Elbows are used to route the SpeediChannel™ around an inside corner
- Each elbow is individually packed and furnished with stainless steel screws



#### **Mount Block White Qty. (2) 14 in. and (2) 36 in.**

- Mount Blocks are used as mounting bases when outdoor units must be bolted down
- End caps (for aesthetics) come furnished with mounting bolts
- Maximum load capacity is 900 pounds per mounting block
- Installation temperatures range from -4°F to 140°F
- Mount blocks fit all mini-split outdoor units with a sliding rail feature



SPECIFICATIONS		OUTDOOR UNITS						
Outdoor Unit Model No.		MHB009S4S		MHB012S4S		MHB018S4S	MHB024S4S	
<b>Nominal Size - Tons</b>		0.75		1		1.5	2	
<b>Ambient Temperature Operating Range - °F</b>		Cooling		5 - 122		5 - 122	5 - 122	
		Heating		5 - 86		5 - 86	5 - 86	
<b>Sound Data (dBA)</b>		55 (115V) 54.5 (208/230V)		53.5		57	60	
<b>Refrigerant (R-410A)</b>		Charge furnished		1 lb. 9 oz.		1 lb. 13 oz.	2 lbs. 16 oz.	
Maximum line length with furnished charge - ft.		25		25		25	25	
Additional charge required per ft. - oz.		0.16		0.16		0.16	0.32	
<b>Compressor</b>		No. and Type		(1) Rotary		(1) Rotary	(1) Rotary	
		Refrigerant oil type		Ester Oil VG74		Ester Oil VG74	Ester Oil VG74	
		Refrigerant oil charge - oz.		10.5		10.1		14.9
<b>Connections - in.</b>		Liquid/Gas pipe (flare)		1/4 - 3/8		1/4 - 1/2	1/4 - 1/2	
Maximum refrigerant pipe length - ft.		82		82		98	164	
Max. difference in level of indoor unit - ft.		33		33		66	82	
<b>Outdoor Fan</b>		(No.) Diameter - in.		(1) 16-1/2		(1) 16-1/2	(1) 17	
		Total air volume - cfm		1294		1235		1235
		rpm		850 / 650		(115V) (208/230V)		800 / 750 / 650
<b>Outdoor Coil</b>		Number of rows		1		1	2	
Fins per inch		21		21		21	21	
Fin type		Hydrophilic aluminum						
Tube outside diameter - in.		1/4		1/4		1/4	1/4	
Tube type		Rifled copper tubing						
Net face area - ft. <sup>2</sup>		4.01		4.02		4.66	5.90	
<b>Design Pressure</b>		PSIG		550 / 340		550 / 340	550 / 340	
<b>Shipping Data</b>		Net/Shipping weight (lbs.) (115V)		58 / 64		63 / 68	- - -	
		(208/230V)		55 / 61		60 / 65		74 / 80
<b>ELECTRICAL DATA</b>								
<b>Electrical Characteristics - 60 Hz - 1 Phase</b>		115V		208/230V		115V	208/230V	
<sup>1</sup> Maximum Overcurrent Protection (amps)		30		15		25	15	
<sup>2</sup> Minimum circuit ampacity		20		12		18.5	15	
<b>Outdoor Fan Motor</b>		Rated load amps		0.4		0.4	0.4	
		Output - W		34		34		34

NOTE - Extremes of operating range are plus and minus 10% of line voltage.

<sup>1</sup> HACR type circuit breaker or fuse.

<sup>2</sup> Refer to National or Canadian Electrical Code manual to determine wire, fuse and disconnect size requirements.



## SPECIFICATIONS WALL-MOUNTED INDOOR UNITS

Indoor Unit Model No.	MWHB009S4		MWHB012S4	
Nominal Size - Tons	0.75		1	
Power Supply - 60 Hz - 1 phase	115V	208/230V	115V	208/230V
Rated load amps	6.3	3.11	10.13	4.9
Output (W)	20	13	20	13
Room Temperature Range (°F)	Cooling	60 - 90	60 - 90	60 - 90
	Heating	32 - 86	32 - 86	32 - 86
Air Volume - cfm (High/Medium/Low)	239 / 170 / 137	246 / 176 / 141	300 / 241 / 176	291 / 197 / 156
Sound Data (dBA) - Low/Medium/High	20 / 28 / 37.5	20 / 28 / 37	26 / 35 / 41	24 / 35 / 41
Piping Connections - Liquid/Gas - o.d. - flare - in.	1/4 / 3/8	1/4 / 3/8	1/4 / 1/2	1/4 / 1/2
Drain connection o.d. - in.	1	1	1	1
Net/Shipping weights - lbs.	18 / 23	18 / 23	19 / 24	19 / 24

## SPECIFICATIONS WALL-MOUNTED INDOOR UNITS

Indoor Unit Model No.	MWHB018S4	MWHB024S4
Nominal Size - Tons	1.5	2
Power Supply - 60 Hz - 1 phase	208/230V	208/230V
Rated load amps	7.5	11.2
Output (W)	30	58
Room Temperature Range (°F)	Cooling	60 - 90
	Heating	32 - 86
Air Volume - cfm (High/Medium/Low)	459 / 329 / 271	546 / 402 / 331
Sound Data (dBA) - Low/Medium/High	30 / 38 / 45	36 / 39.5 / 45
Piping Connections - Liquid/Gas - o.d. - flare - in.	1/4 / 1/2	3/8 / 5/8
Drain connection o.d. - in.	1	1
Net/Shipping weights - lbs.	25 / 32	30 / 38

## AHRI SYSTEM MATCHES

Outdoor Unit	Indoor Unit	2017						2023					AHRI Reference Number
		Cooling Capacity	SEER	EER	Heat Capacity		HSPF (IV)	Cooling Capacity	SEER2	EER2	High Heat	HSPF2 (IV)	
					High	Low							
MHB009S4S-1L	MWHB009S4-*L	9000	21.50	12.5	10000	6300	10.3	9000	21.5	12.5	10000	9.1	211034461
MHB009S4S-1P	MWHB009S4-*P	9000	21.50	12.6	10000	6000	10	9000	21.7	12.6	10000	9.4	211034463
MHB012S4S-1L	MWHB012S4-*L	12000	20.00	10.3	12000	7800	10.8	12000	20.8	10.3	12000	8.7	211034462
MHB012S4S-1P	MWHB012S4-*P	12000	20.50	10.8	12000	7000	10.7	12000	21.4	10.8	12000	9.2	211034464
MHB018S4S-1P	MWHB018S4-*P	18000	19.50	11.0	18800	11400	10	18000	19.5	10.8	18800	8.7	211034465
MHB024S4S-1P	MWHB024S4-*P	24000	18.50	9.5	24000	16500	10.2	23800	18.5	9.5	24000	8.6	211034466

Ratings are AHRI certified to AHRI Standard 210/240;

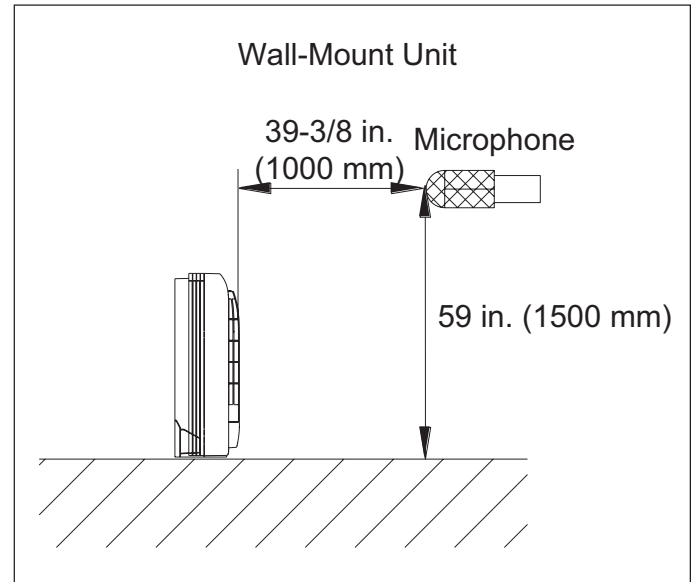
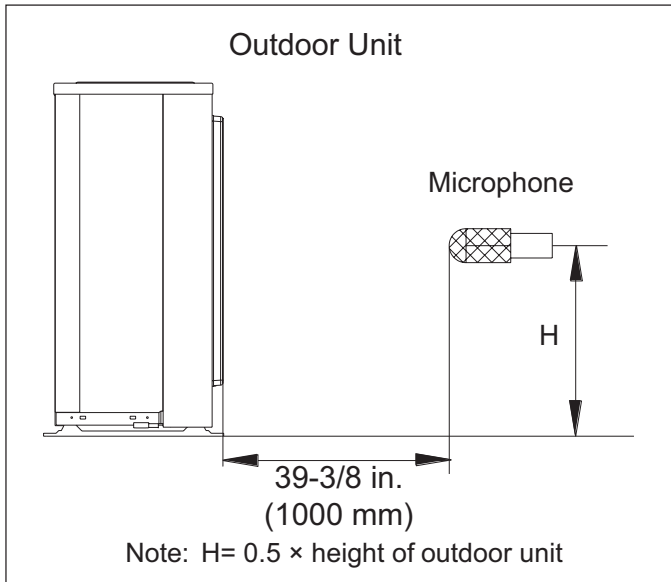
- Cooling Ratings - 95°F wet bulb/75°F dry bulb outdoor air temperature and 80°F dry bulb/67°F wet bulb entering indoor coil air.
- High Temperature Heating Ratings - 47°F dry bulb/43°F wet bulb outdoor air temperature and 70°F dry bulb/60°F wet bulb entering indoor coil air.
- Low Temperature Heating Ratings - 17°F dry bulb/15°F wet bulb outdoor air temperature and 70°F dry bulb/60°F wet bulb entering indoor coil air.

To convert HSPF from Region IV to Region V - Divide by 1.15.

## OPTIONAL ACCESSORIES - ORDER SEPARATELY

Description	Catalog No.	Size				
		009	012	018	024	
<b>OUTDOOR UNIT</b>						
Condenser Pad (18 x 38 x 3)	<b>Y5014</b>	•	•	•	•	
Disconnects	30 amp, fused, 1 ph	<b>27P37</b>	•	•	•	
	60 amp, non-fused, 1 ph	<b>27P39</b>	•	•	•	
Fuses	30A	<b>83P75</b>	•	•	•	
	60A	<b>83P77</b>	•	•	•	
Hail Guards (H x W)	(1) 18-7/8 x 27-1/2 in. + (1) 18 x 9-1/8 in.	<b>24M82</b>	•	•		
	(1) 18-7/8 x 29-1/2 in. + (1) 18 x 10-1/4 in.	<b>24M81</b>		•		
	(1) 22-7/8 x 32 in. + (1) 22-1/4 x 11 in.	<b>24M85</b>			•	
Line Sets	1/4 in. x 3/8 in. x 25 ft.	<b>90X53</b>	•	N/A		
	1/4 in. x 3/8 in. x 50 ft.	<b>X0258</b>	•	N/A		
	1/4 in. x 1/2 in. x 25 ft.	<b>90X52</b>	N/A	•	•	N/A
	1/4 in. x 1/2 in. x 50 ft.	<b>X0259</b>	N/A	•	•	N/A
	3/8 in. x 5/8 in. x 25 ft.	<b>X8406</b>	N/A		•	
	3/8 in. x 5/8 in. x 50 ft.	<b>X8407</b>	N/A		•	
Wall Brackets	30 inch	<b>X1727</b>	•	•	•	•
Whips	10 Gauge - 1/2 in. x 6 ft.	<b>29P54</b>	•	•	•	•
	8 Gauge - 3/4 in. x 6 ft.	<b>27P44</b>	•	•	•	•
<b>INDOOR UNIT</b>						
<sup>1</sup> Diversitech Condensate Pumps with Reservoir	Mini-Split Pump - 4 US gallons per hour, 20 ft. lift - 230V	<b>Y7949</b>	•	•	•	•
	ClearVue Mini™ - 7.9 US gallons per hour, 35 ft. lift - 120/240V	<b>Y5170</b>	•	•	•	•
<sup>1</sup> Blue Diamond® Condensate Pumps with Reservoir	MicroBlue® - 1.3 US gallons per hour, 6 ft. lift - 110v-230V	<b>14T74</b>	•	•	•	N/A
	MaxiBlue® - 3.7 US gallons per hour, 16.5 ft. lift - 208-230V	<b>14T69</b>	N/A		•	
		MultiTank Kit	<b>14T75</b>	N/A		•
	Sensor Cable Extension - 16 ft.	<b>14T76</b>	•	•	•	•
Little Giant Condensate Pump Kit with Reservoir	Mini-Split Pump Kit - 2.5 US gallons per hour, 3 ft. lift - 100-240V (includes pump, reservoir, multi-size hose drain adaptor, 7 ft. detachable power cord, pump enclosure/cover, line set cover and mounting trim brackets)	<b>Y8794</b>	•	•	•	•
A/C Easy Tee® Condensate Cleanout		<b>Y7947</b>	•	•	•	•
<b>CONTROLS</b>						
Wired Remote Controller	MOSTAT120L-1	<b>24X02</b>	•	•	•	•
Extension Cable for Wired Remote Controller - 20 ft.		<b>Y8008</b>	•	•	•	•
Wired Programmable Controller	MOSTAT120N-1	<b>24X03</b>	•	•	•	•
Extension Cable for Wired Programmable Controller - 20 ft.	MOCTRL64Q-1	<b>Y8738</b>	•	•	•	•
Indoor/Outdoor Wiring Cable - 14 Gauge, 4 conductor wire, THHN, 250 ft.		<b>Y2067</b>	•	•	•	•
<b>SPEEDICHANNEL™ SYSTEM</b>						
SpeediChannel™ Starter Kit - 4 in.		<b>Y3387</b>	•	•	•	•
SpeediChannel - 4 in. x 6-1/2 ft. (qty. 6)		<b>Y3388</b>	•	•	•	•
Union Coupling - 4 in.		<b>Y3389</b>	•	•	•	•
90° Flat Bend Elbow - 4 in.		<b>Y3390</b>	•	•	•	•
90° Inside Elbow - 4 in.		<b>Y3391</b>	•	•	•	•
45° Flat Bend Elbow - 4 in.		<b>Y3392</b>	•	•	•	•
Flex Joint - 4 in.		<b>Y3393</b>	•	•	•	•
T-Joint - 4 in.		<b>Y3394</b>	•	•	•	•
Duct End - 4 in.		<b>Y3395</b>	•	•	•	•
Flat Wall Escutcheon - 4 in.		<b>Y3396</b>	•	•	•	•
Wall Penetration Cover - 4 in.		<b>Y3399</b>	•	•	•	•
Mount Block (White) Qty, 2 - 14 in.		<b>Y3397</b>	•	•	•	•
Mount Block (White) Qty, 2 - 36 in.		<b>Y3398</b>	•	•	•	•

<sup>1</sup> Y7949 and 14T74 condensate pumps can be installed inside the indoor units. All other pumps must be installed external to the indoor unit.



**COOLING CAPACITY****009 (115V)**

Outdoor Temperature - °F (Dry Bulb)	Indoor Temperature - °F (Dry Bulb / Wet Bulb)							
	65°F / 54°F		70°F / 59°F		75°F / 63°F		80°F / 67°F	
	Total mBtuh	Sensible mBtuh	Total mBtuh	Sensible mBtuh	Total mBtuh	Sensible mBtuh	Total mBtuh	Sensible mBtuh
5	8.92	6.28	9.46	6.62	9.97	6.94	10.47	7.26
17	9.50	6.86	9.97	7.16	10.54	7.53	10.98	7.79
25	9.76	6.91	10.29	7.24	10.72	7.50	11.28	7.85
35	10.02	7.14	10.66	7.56	11.12	7.84	11.60	8.14
47	9.73	7.28	10.20	7.59	10.78	7.98	11.39	8.38
55	9.80	7.31	10.22	7.58	10.67	7.87	11.16	8.19
65	9.17	7.25	9.68	7.62	10.30	8.06	10.93	8.51
75	9.10	7.10	9.65	7.49	10.09	7.79	10.70	8.22
85	8.80	6.96	9.30	7.31	9.74	7.61	10.19	7.92
95	8.55	7.12	9.00	7.46	9.44	7.78	9.90	8.12
105	7.93	6.84	8.42	7.22	8.91	7.60	9.47	8.04
110	7.81	6.93	8.18	7.23	8.65	7.61	9.11	7.97
115	7.48	6.99	7.82	7.26	8.21	7.57	8.58	7.87
122	6.86	6.84	7.28	7.22	7.61	7.52	8.00	7.87

**HEATING CAPACITY****009 (115V)**

Outdoor Temperature - °F (Dry Bulb)	Indoor Temperature - °F (Dry Bulb)			
	60°F	65°F	70°F	75°F
	Total mBtuh	Total mBtuh	Total mBtuh	Total mBtuh
5	6.07	5.87	5.68	5.43
10	6.92	6.73	6.53	6.25
17	7.92	7.65	7.42	7.16
20	8.22	7.98	7.74	7.40
25	8.53	8.25	8.04	7.71
32	8.77	8.54	8.33	7.96
35	9.12	8.90	8.66	8.28
40	10.15	9.90	9.66	9.26
45	11.29	10.95	10.65	10.28
50	11.83	11.47	11.16	10.73
57	12.40	12.01	11.61	11.19

**COOLING CAPACITY****009 (208/230V)**

Outdoor Temperature - °F (Dry Bulb)	Indoor Temperature - °F (Dry Bulb / Wet Bulb)							
	65°F / 54°F		70°F / 59°F		75°F / 63°F		80°F / 67°F	
	Total mBtuh	Sensible mBtuh	Total mBtuh	Sensible mBtuh	Total mBtuh	Sensible mBtuh	Total mBtuh	Sensible mBtuh
5	9.42	6.54	9.89	6.84	10.45	7.18	10.95	7.49
17	9.26	6.53	9.78	6.86	10.33	7.21	10.85	7.53
25	9.98	7.24	10.46	7.54	10.91	7.82	11.37	8.09
35	10.30	7.75	10.77	8.06	11.35	8.45	11.84	8.76
47	9.92	7.40	10.53	7.81	11.03	8.13	11.66	8.55
55	9.80	7.31	10.42	7.74	11.04	8.16	11.55	8.49
65	9.63	7.53	10.25	7.97	10.84	8.39	11.45	8.80
75	9.64	7.66	10.21	8.06	10.86	8.53	11.34	8.87
85	9.31	7.33	9.71	7.59	10.12	7.87	10.66	8.24
95	8.62	6.92	9.17	7.32	9.56	7.59	10.14	8.00
105	8.33	6.93	8.76	7.26	9.29	7.65	9.71	7.94
110	8.04	7.34	8.40	7.62	8.86	7.99	9.33	8.36
115	7.69	7.10	8.06	7.40	8.46	7.73	8.87	8.07
122	7.28	7.26	7.67	7.61	7.99	7.90	8.34	8.21

**HEATING CAPACITY****009 (208/230V)**

Outdoor Temperature - °F (Dry Bulb)	Indoor Temperature - °F (Dry Bulb)			
	60°F	65°F	70°F	75°F
	Total mBtuh	Total mBtuh	Total mBtuh	Total mBtuh
5	6.43	6.21	6.00	5.74
10	7.20	7.02	6.79	6.52
17	8.14	7.92	7.71	7.43
20	8.67	8.39	8.19	7.89
25	9.26	8.98	8.70	8.32
32	9.74	9.43	9.17	8.85
35	10.26	9.94	9.66	9.22
40	10.88	10.57	10.22	9.84
45	11.37	11.06	10.75	10.26
50	11.92	11.53	11.18	10.69
57	12.38	12.07	11.72	11.29

**COOLING CAPACITY****012 (115V)**

Outdoor Temperature - °F (Dry Bulb)	Indoor Temperature - °F (Dry Bulb / Wet Bulb)							
	65°F / 54°F		70°F / 59°F		75°F / 63°F		80°F / 67°F	
	Total mBtuh	Sensible mBtuh	Total mBtuh	Sensible mBtuh	Total mBtuh	Sensible mBtuh	Total mBtuh	Sensible mBtuh
5	11.06	7.60	11.52	7.88	12.00	8.16	12.77	8.64
17	11.13	7.91	11.67	8.26	12.41	8.74	13.16	9.21
25	11.35	8.08	11.92	8.44	12.59	8.86	13.32	9.32
35	11.43	8.33	12.02	8.71	12.71	9.16	13.45	9.64
47	11.14	8.16	11.62	8.45	12.17	8.81	12.90	9.28
55	11.02	8.40	11.63	8.82	12.31	9.29	12.92	9.70
65	11.04	8.37	11.65	8.79	12.34	9.26	12.93	9.65
75	11.02	8.63	11.65	9.08	12.19	9.46	12.94	9.98
85	11.01	8.65	11.49	8.97	12.06	9.36	12.79	9.87
95	11.01	8.95	11.49	9.29	12.06	9.69	12.57	10.05
105	10.47	8.76	11.04	9.19	11.53	9.54	12.05	9.92
110	9.79	8.97	10.40	9.46	11.05	9.99	11.57	10.41
115	9.54	9.06	10.11	9.54	10.54	9.89	10.99	10.25
122	8.77	8.74	9.28	9.21	9.69	9.58	10.11	9.94

**HEATING CAPACITY****012 (115V)**

Outdoor Temperature - °F (Dry Bulb)	Indoor Temperature - °F (Dry Bulb)			
	60°F	65°F	70°F	75°F
	Total mBtuh	Total mBtuh	Total mBtuh	Total mBtuh
5	7.49	7.25	7.01	6.71
10	7.94	7.74	7.53	7.27
17	8.53	8.28	8.06	7.70
20	9.31	9.07	8.76	8.46
25	10.12	9.82	9.51	9.09
32	10.85	10.52	10.21	9.76
35	11.67	11.34	10.99	10.55
40	12.66	12.31	11.94	11.41
45	13.61	13.20	12.88	12.30
50	14.26	13.83	13.45	12.93
57	14.91	14.48	14.04	13.50



**COOLING CAPACITY****012 (208/230V)**

Outdoor Temperature - °F (Dry Bulb)	Indoor Temperature - °F (Dry Bulb / Wet Bulb)							
	65°F / 54°F		70°F / 59°F		75°F / 63°F		80°F / 67°F	
	Total mBtuh	Sensible mBtuh	Total mBtuh	Sensible mBtuh	Total mBtuh	Sensible mBtuh	Total mBtuh	Sensible mBtuh
5	10.60	7.36	11.12	7.68	11.81	8.12	12.38	8.46
17	10.94	7.97	11.45	8.29	12.14	8.75	12.67	9.09
25	10.97	7.87	11.51	8.21	12.20	8.66	12.90	9.11
35	11.25	8.46	11.96	8.94	12.52	9.31	13.13	9.70
47	11.03	8.07	11.72	8.53	12.47	9.02	13.22	9.51
55	11.34	8.61	11.91	9.01	12.45	9.37	13.17	9.85
65	11.12	8.62	11.72	9.04	12.37	9.49	13.12	10.01
75	11.32	8.85	11.84	9.20	12.51	9.67	13.07	10.04
85	11.36	8.83	11.95	9.23	12.49	9.59	13.22	10.09
95	11.35	9.35	11.96	9.80	12.63	10.29	13.40	10.85
105	11.10	9.56	11.71	10.02	12.34	10.51	12.89	10.92
110	10.85	9.92	11.30	10.28	11.79	10.67	12.32	11.09
115	9.98	9.28	10.58	9.77	11.09	10.19	11.66	10.66
122	9.38	9.32	9.81	9.71	10.34	10.20	10.91	10.70

**HEATING CAPACITY****012 (208/230V)**

Outdoor Temperature - °F (Dry Bulb)	Indoor Temperature - °F (Dry Bulb)			
	60°F	65°F	70°F	75°F
	Total mBtuh	Total mBtuh	Total mBtuh	Total mBtuh
5	8.46	8.17	7.94	7.62
10	9.10	8.83	8.55	8.21
17	9.65	9.33	9.07	8.70
20	10.10	9.83	9.56	9.14
25	10.65	10.33	10.05	9.70
32	11.17	10.83	10.53	10.05
35	11.74	11.35	10.99	10.53
40	13.36	12.95	12.53	12.09
45	14.77	14.31	13.92	13.36
50	15.46	15.05	14.59	13.95
57	16.14	15.66	15.17	14.62

**COOLING CAPACITY****018 (208/230V)**

Outdoor Temperature - °F (Dry Bulb)	Indoor Temperature - °F (Dry Bulb / Wet Bulb)							
	65°F / 54°F		70°F / 59°F		75°F / 63°F		80°F / 67°F	
	Total mBtuh	Sensible mBtuh	Total mBtuh	Sensible mBtuh	Total mBtuh	Sensible mBtuh	Total mBtuh	Sensible mBtuh
5	14.73	10.34	15.39	10.74	16.20	11.25	17.20	11.87
17	14.89	10.53	15.60	10.96	16.56	11.58	17.36	12.08
25	14.97	10.82	15.76	11.31	16.67	11.91	17.72	12.60
35	15.90	11.36	16.61	11.81	17.34	12.26	18.14	12.77
47	16.09	12.22	16.90	12.77	17.63	13.25	18.75	14.01
55	16.37	12.77	17.05	13.23	17.97	13.88	19.09	14.68
65	16.43	12.98	17.41	13.66	18.48	14.43	19.45	15.10
75	16.97	13.08	17.77	13.62	18.83	14.34	19.80	14.98
85	16.82	13.69	17.88	14.47	18.90	15.20	19.73	15.78
95	16.48	13.55	17.45	14.28	18.47	15.04	19.30	15.63
105	16.02	13.31	16.77	13.86	17.60	14.47	18.60	15.20
110	15.19	13.58	16.16	14.37	16.92	14.96	17.76	15.62
115	14.42	13.33	15.23	14.00	15.93	14.56	16.59	15.10
122	13.11	13.07	13.87	13.76	14.69	14.53	15.33	15.10

**HEATING CAPACITY****018 (208/230V)**

Outdoor Temperature - °F (Dry Bulb)	Indoor Temperature - °F (Dry Bulb)			
	60°F	65°F	70°F	75°F
	Total mBtuh	Total mBtuh	Total mBtuh	Total mBtuh
5	11.39	11.03	10.76	10.37
10	12.30	12.00	11.71	11.24
17	13.38	13.02	12.60	12.12
20	14.42	14.04	13.62	13.04
25	15.57	15.04	14.60	14.08
32	16.54	16.10	15.59	14.95
35	17.66	17.08	16.67	15.97
40	18.89	18.28	17.72	16.92
45	19.69	19.11	18.59	17.81
50	20.44	19.79	19.14	18.41
57	20.83	20.26	19.71	18.86

**COOLING CAPACITY**
**024 (208/230V)**

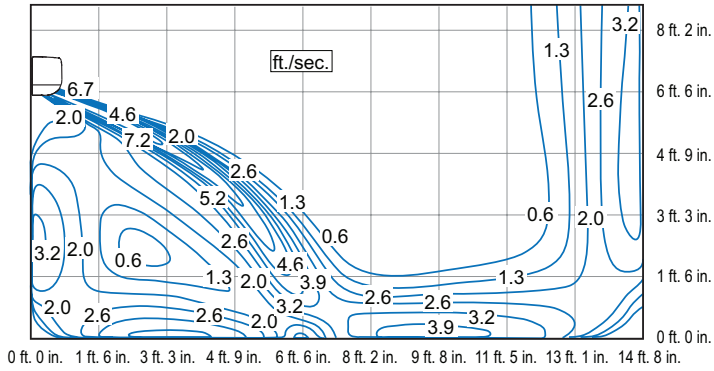
Outdoor Temperature - °F (Dry Bulb)	Indoor Temperature - °F (Dry Bulb / Wet Bulb)							
	65°F / 54°F		70°F / 59°F		75°F / 63°F		80°F / 67°F	
	Total mBtuh	Sensible mBtuh	Total mBtuh	Sensible mBtuh	Total mBtuh	Sensible mBtuh	Total mBtuh	Sensible mBtuh
5	20.55	14.54	21.75	15.30	23.04	16.12	24.28	16.87
17	21.20	15.08	22.15	15.68	23.15	16.29	24.50	17.15
25	21.47	15.78	22.84	16.68	23.89	17.37	25.07	18.13
35	22.71	16.55	23.66	17.15	24.64	17.78	25.72	18.44
47	21.85	15.79	23.13	16.61	24.37	17.39	25.57	18.16
55	22.22	17.04	23.52	17.96	24.50	18.60	26.00	19.63
65	22.10	16.71	23.51	17.69	24.90	18.65	26.46	19.69
75	22.93	18.26	24.24	19.20	25.38	20.00	26.89	21.08
85	21.85	17.23	23.02	18.07	24.41	19.07	25.94	20.13
95	20.88	16.61	22.05	17.43	23.33	18.36	24.61	19.25
105	20.21	16.92	21.34	17.77	22.33	18.47	23.73	19.53
110	19.38	17.26	20.49	18.16	21.61	19.04	22.89	20.08
115	18.64	17.64	19.58	18.42	20.39	19.10	21.63	20.16
122	17.33	17.19	18.28	18.06	19.13	18.81	20.22	19.81

**HEATING CAPACITY**
**024 (208/230V)**

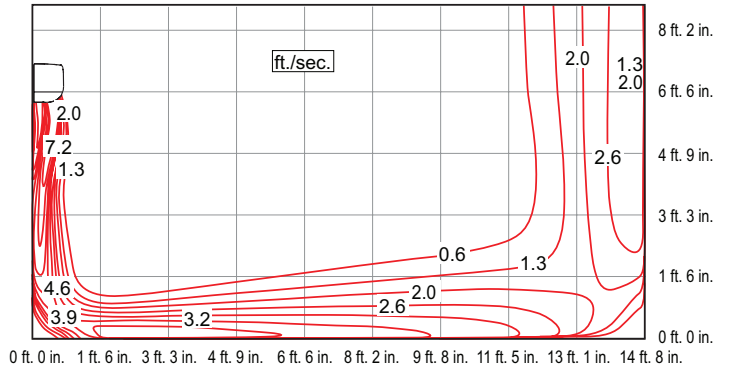
Outdoor Temperature - °F (Dry Bulb)	Indoor Temperature - °F (Dry Bulb)			
	60°F	65°F	70°F	75°F
	Total mBtuh	Total mBtuh	Total mBtuh	Total mBtuh
5	16.10	15.57	15.09	14.50
10	17.62	17.11	16.66	15.93
17	19.25	18.74	18.14	17.40
20	20.20	19.58	19.02	18.34
25	21.20	20.57	19.87	19.00
32	21.99	21.24	20.73	19.88
35	22.71	22.11	21.53	20.56
40	26.02	25.17	24.32	23.25
45	28.31	27.52	26.69	25.76
50	29.03	28.27	27.44	26.34
57	29.90	29.11	28.29	27.16

# AIR THROW DATA

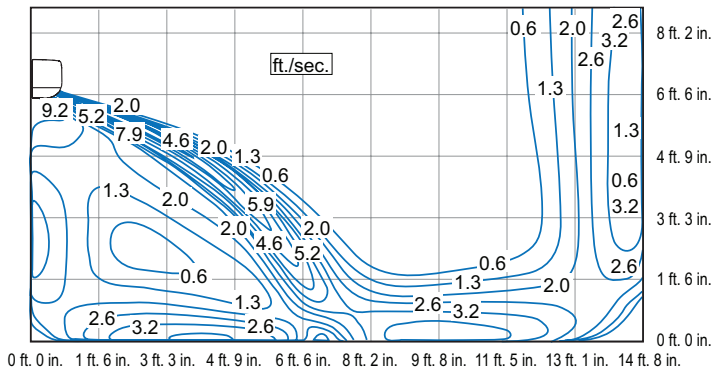
**MWHB009S4 - COOLING**



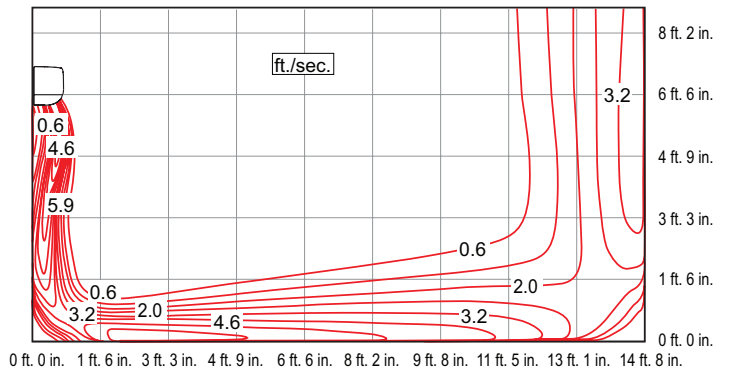
**MWHB009S4 - HEATING**



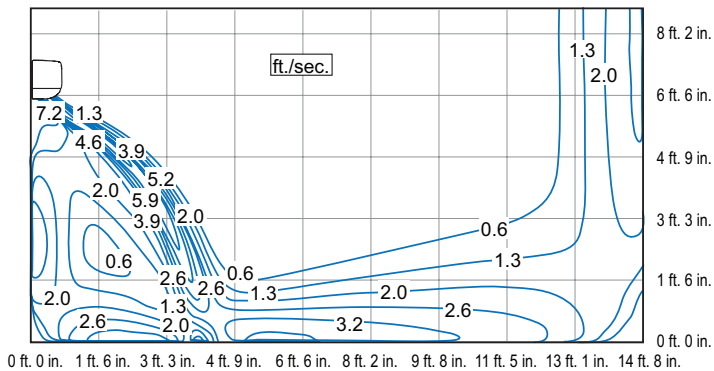
**MWHB012S4 - COOLING**



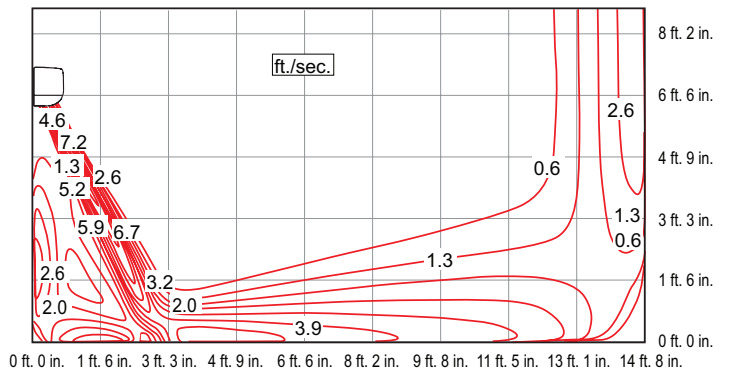
**MWHB012S4 - HEATING**



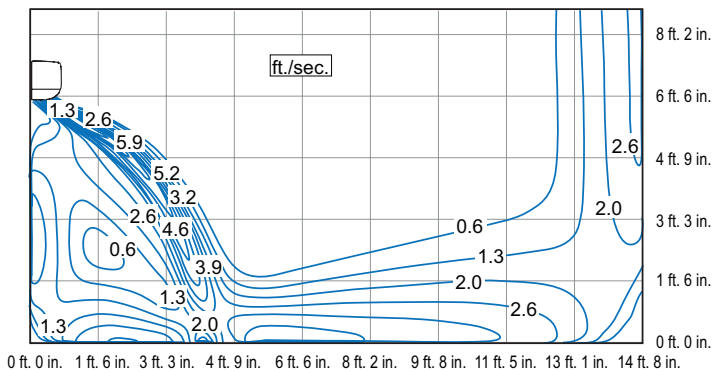
**MWHB018S4 - COOLING**



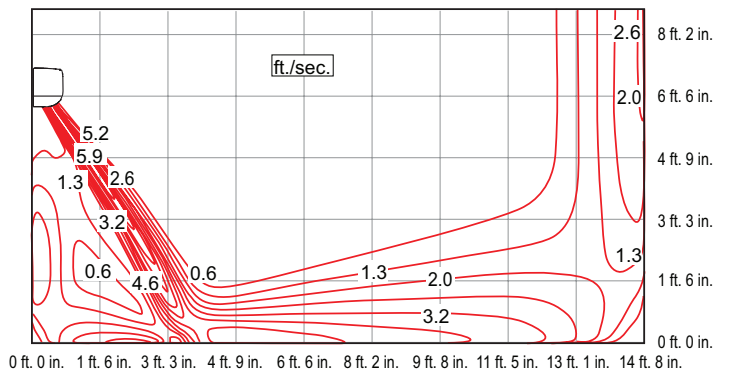
**MWHB018S4 - HEATING**



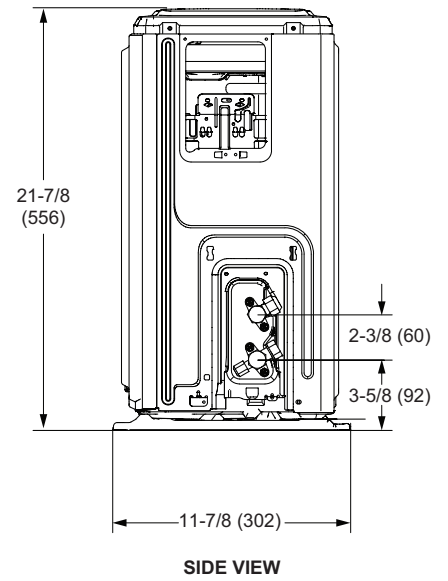
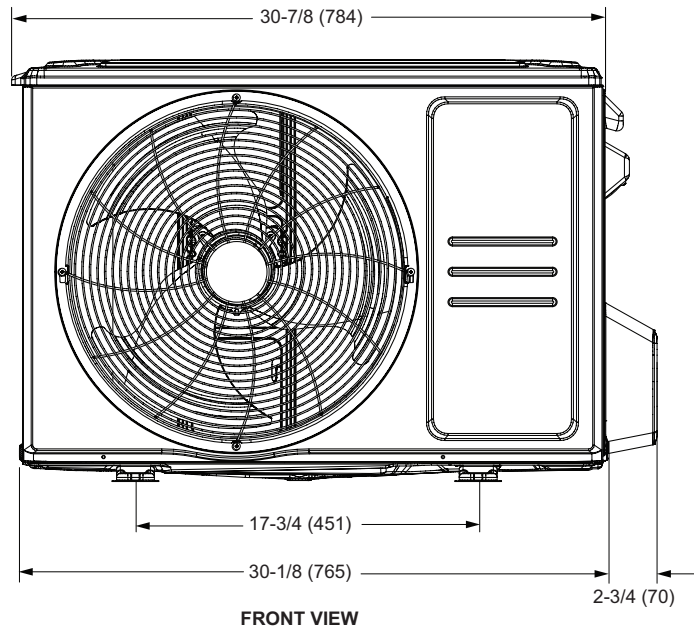
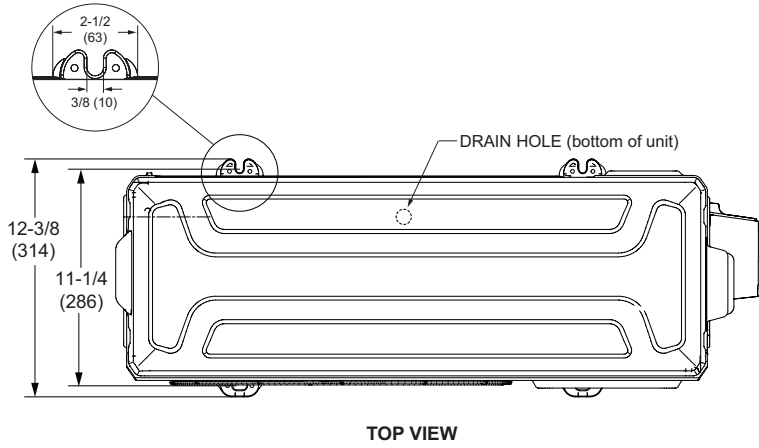
**MWHB024S4 - COOLING**



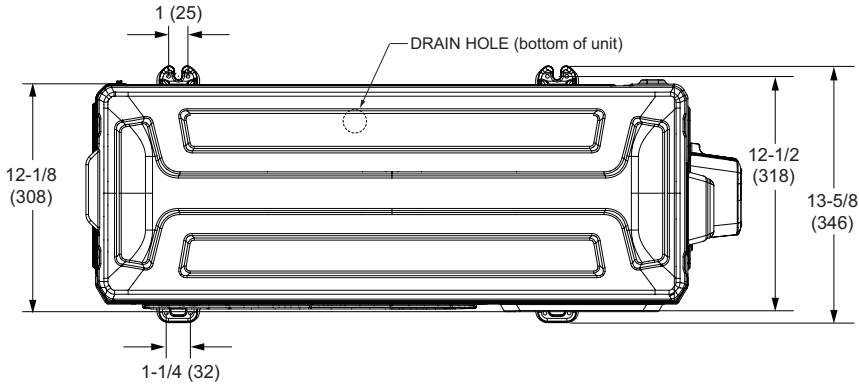
**MWHB024S4 - HEATING**



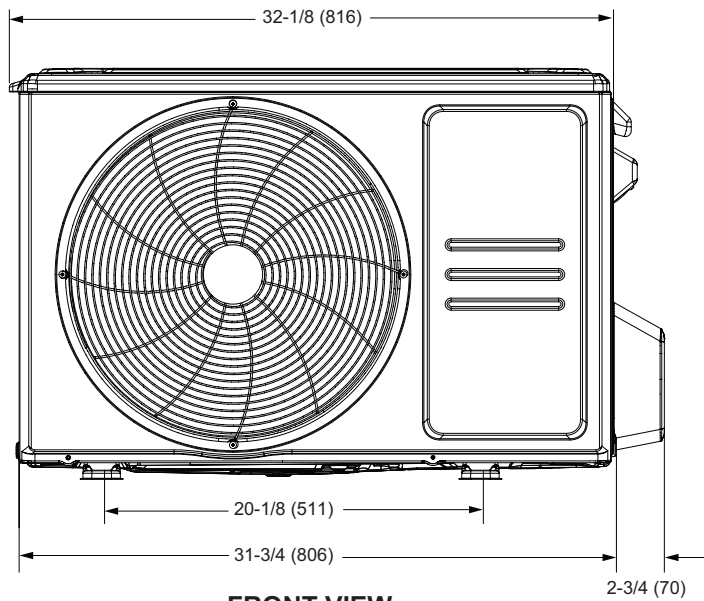
**MHB009S4, MHB012S4**



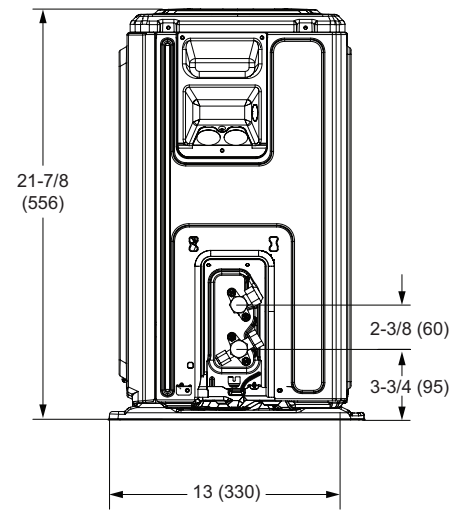
**MHB018S4**



**TOP VIEW**



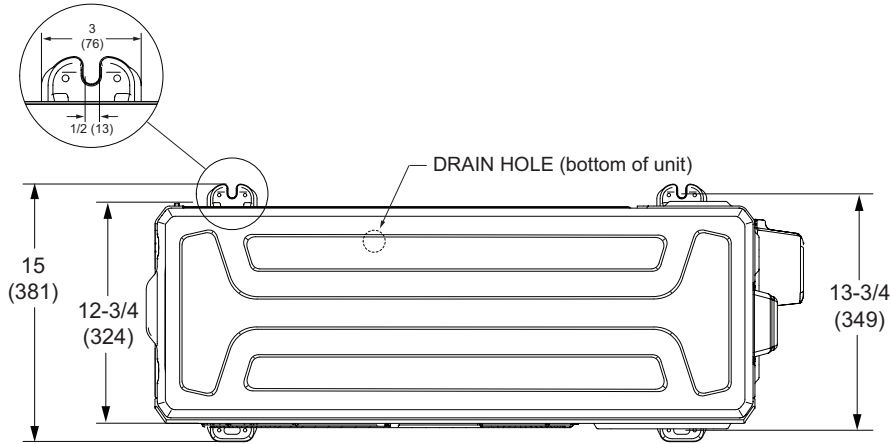
**FRONT VIEW**



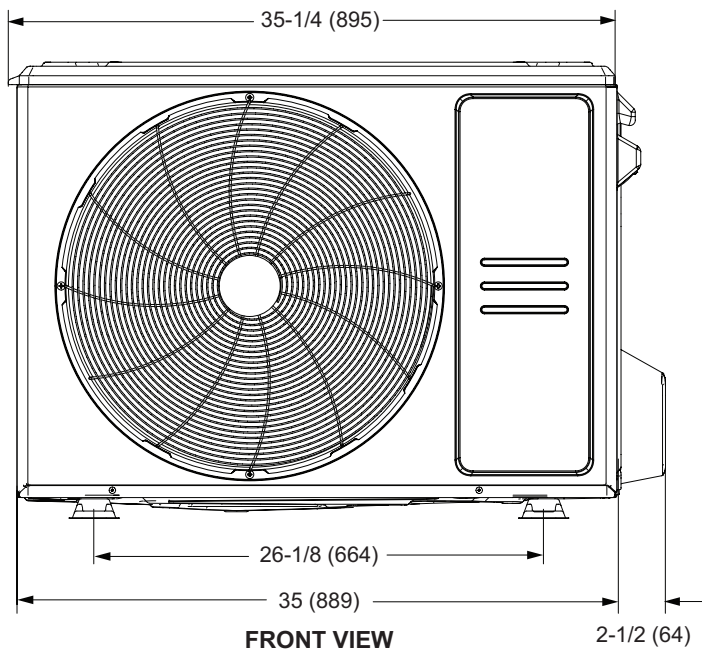
**SIDE VIEW**



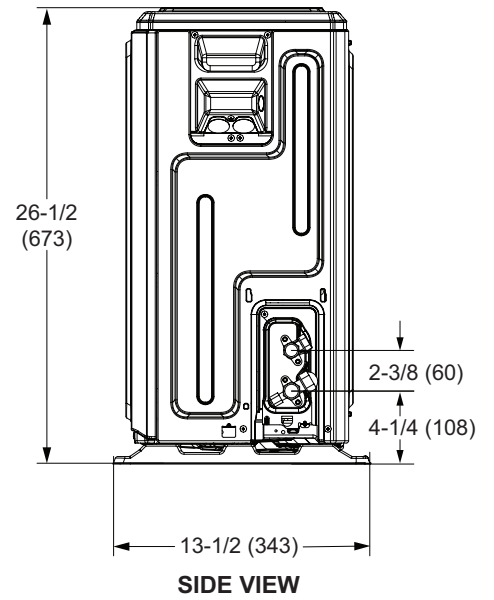
**MHB024S4**



**TOP VIEW**

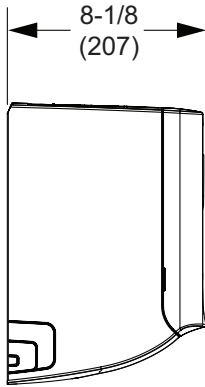


**FRONT VIEW**

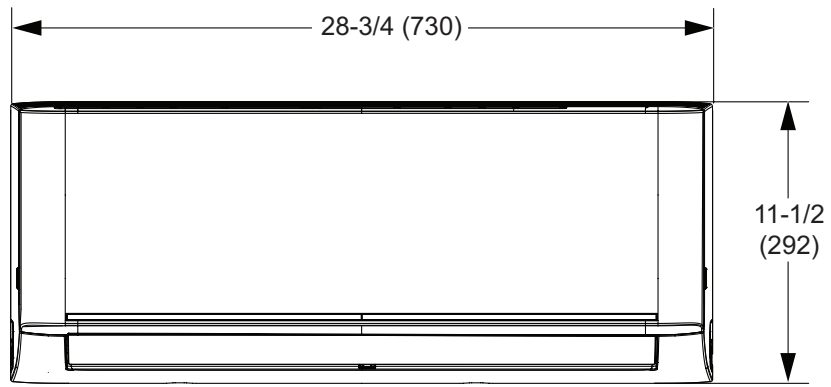


**SIDE VIEW**

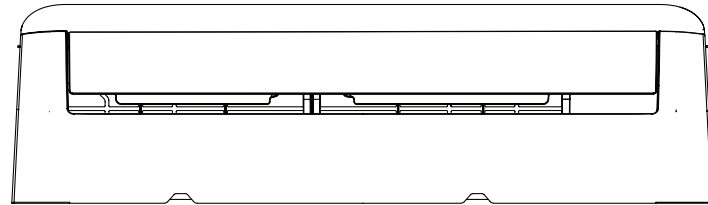
**MWHB009**



**SIDE VIEW**

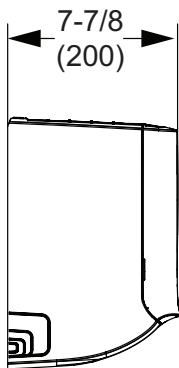


**FRONT VIEW**

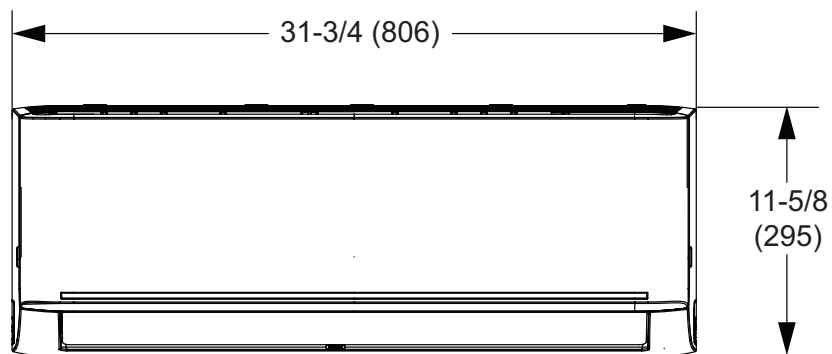


**BOTTOM VIEW**

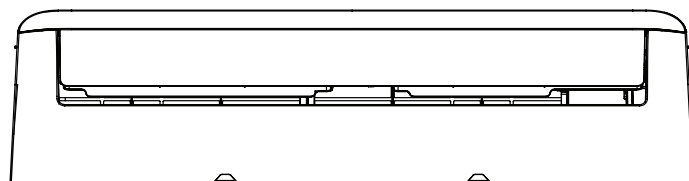
**MWHB012**



**SIDE VIEW**

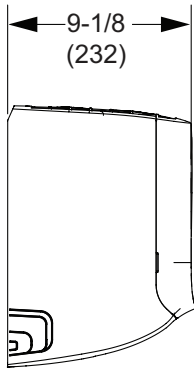


**FRONT VIEW**

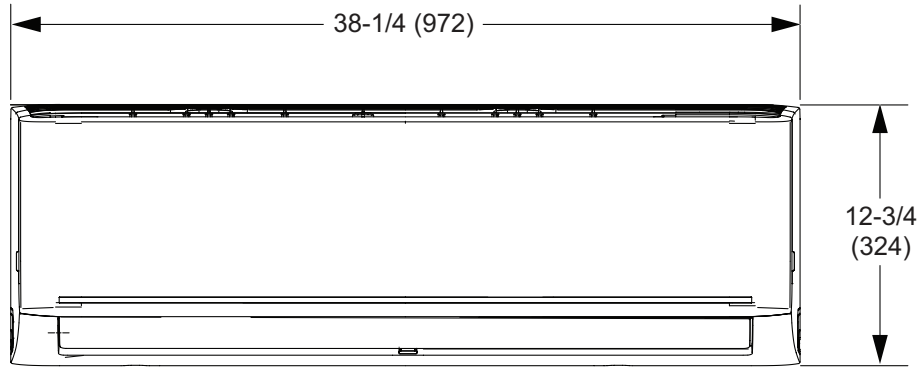


**BOTTOM VIEW**

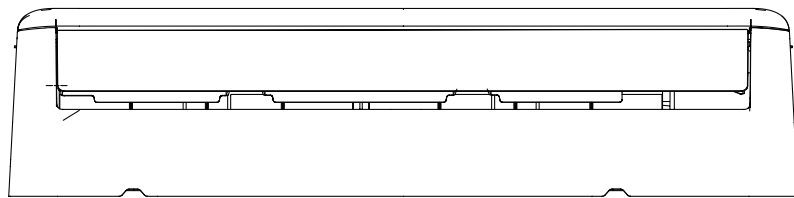
**MWHB018**



**SIDE VIEW**

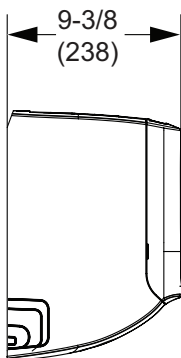


**FRONT VIEW**



**BOTTOM VIEW**

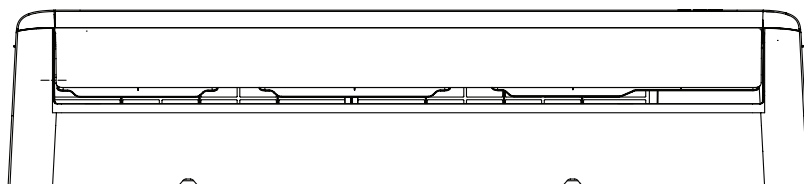
**MWHB024**



**SIDE VIEW**

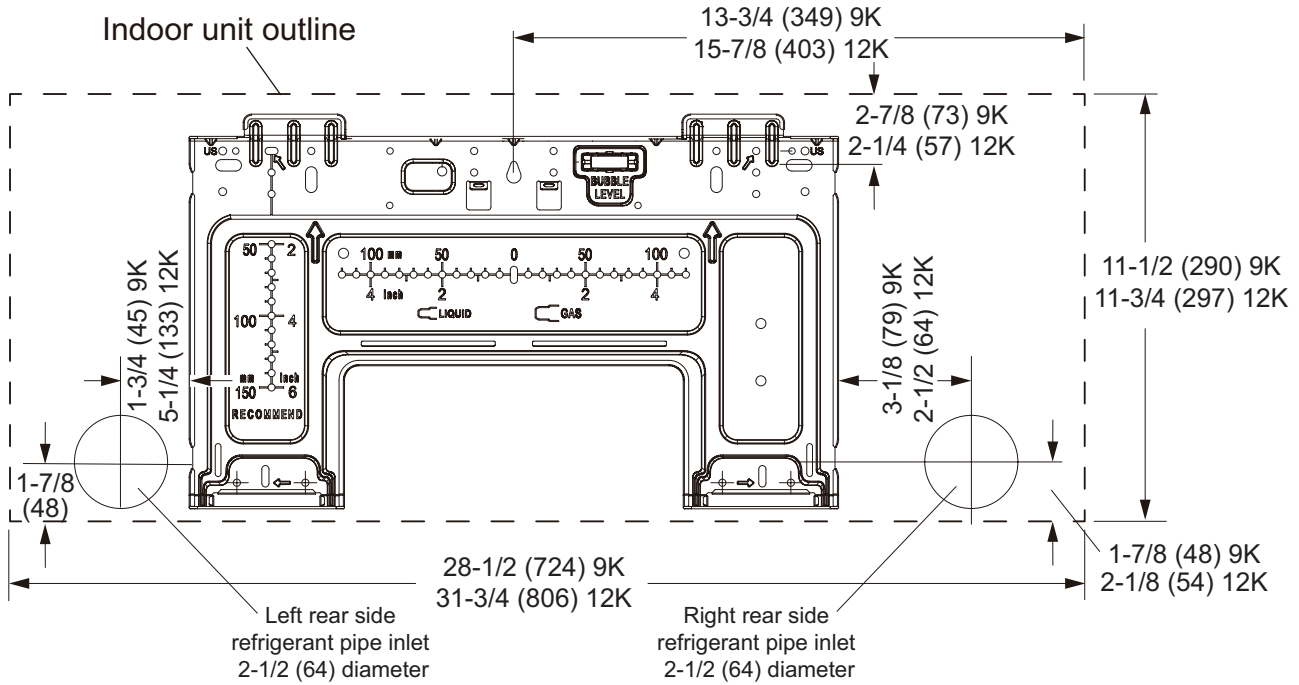


**FRONT VIEW**

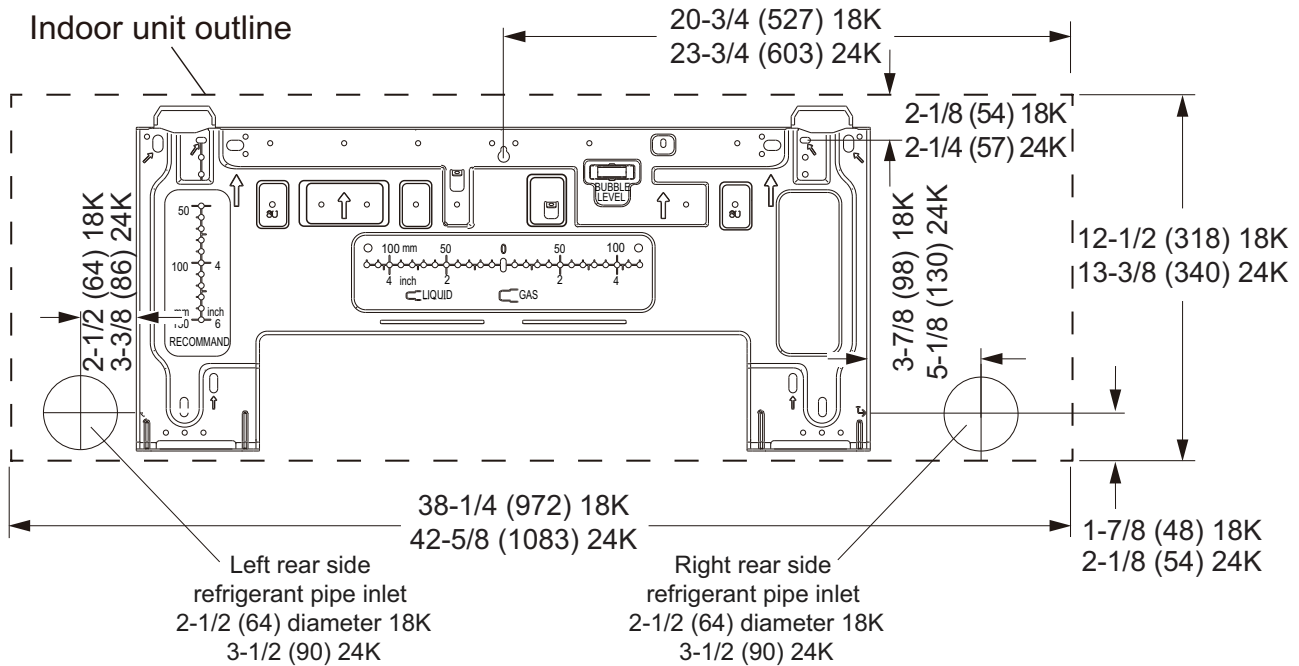


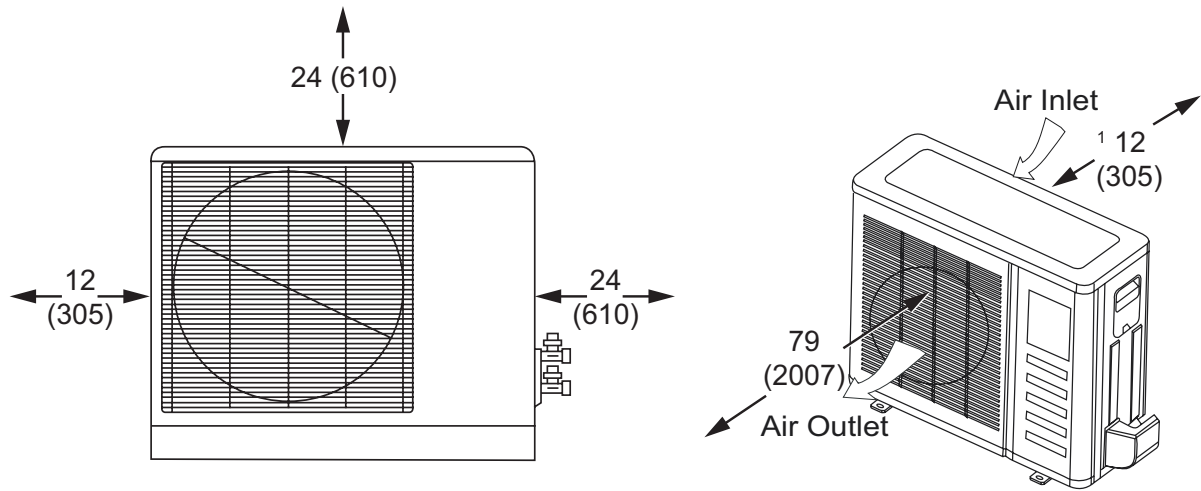
**BOTTOM VIEW**

**MWHB009, MWHB012**

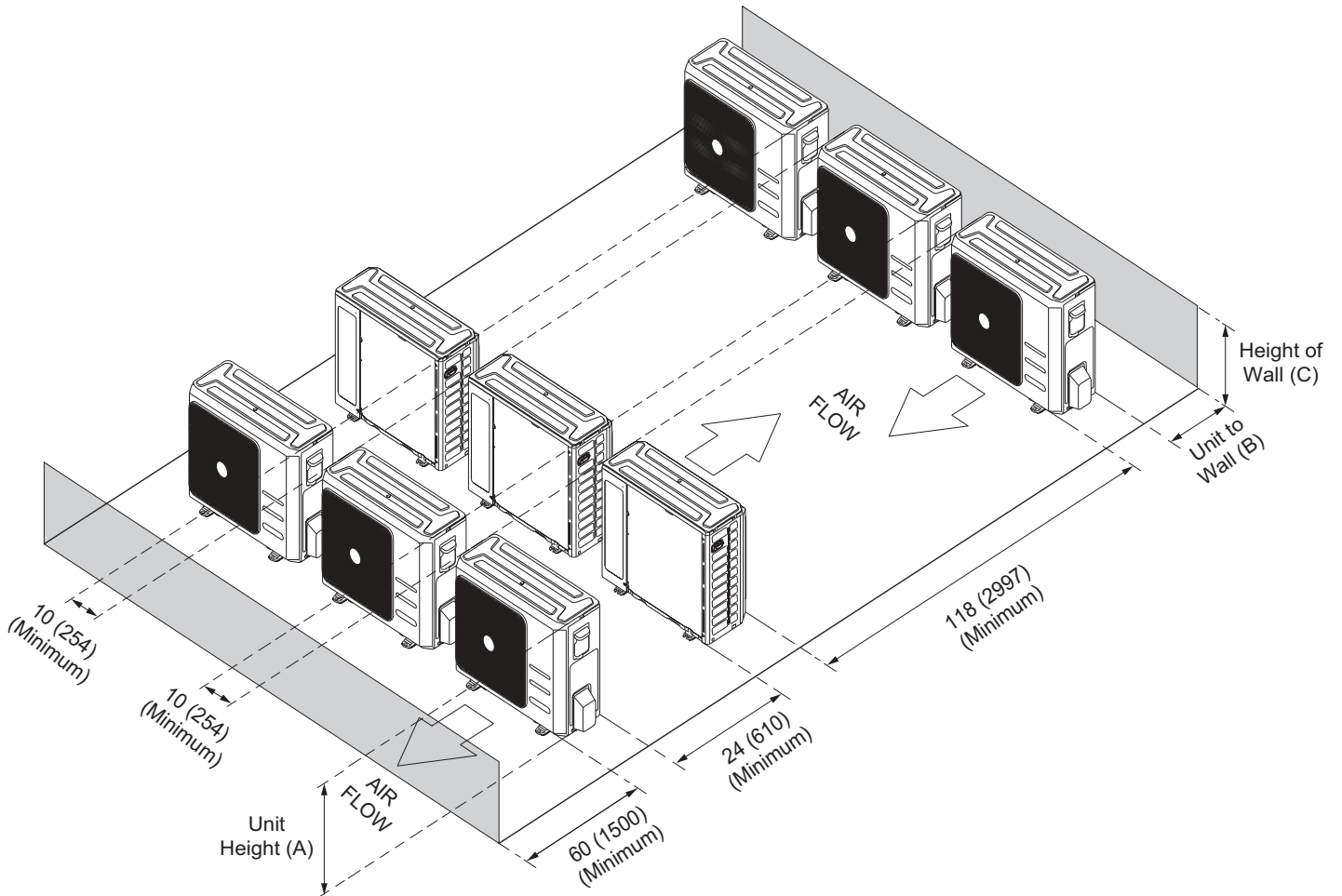


**MWHB018, MWHB024**





<sup>1</sup> Minimum rear clearance can be 6 inches (152 mm) when mounted on brackets and with no obstructions on the other three sides.

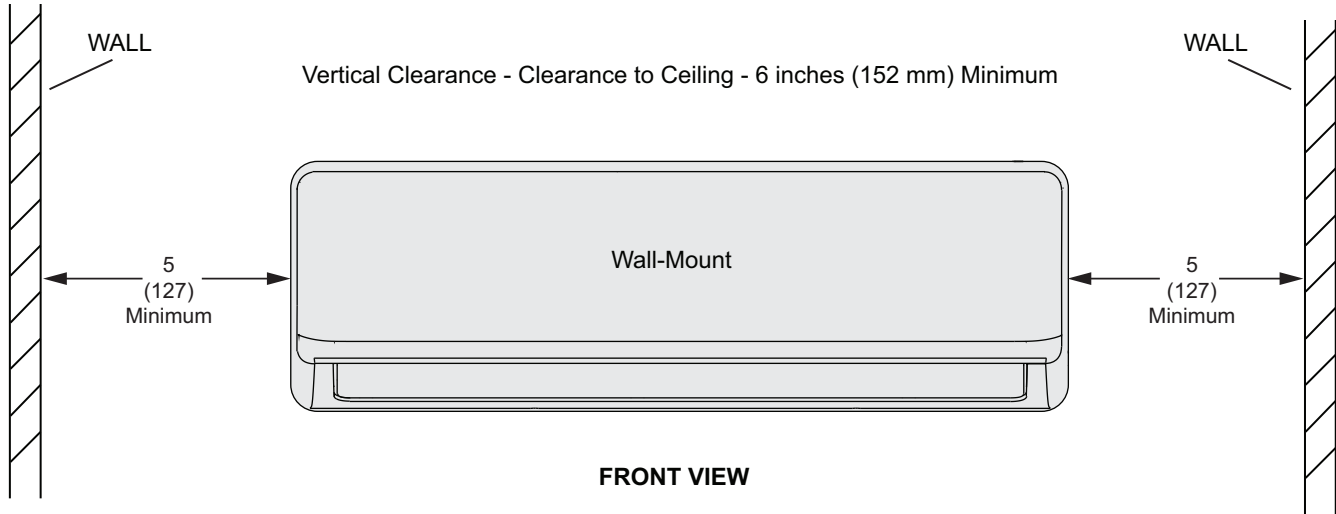


**CLEARANCE NOTES FOR MULTIPLE UNITS:**

If the height of the wall (C) is less than or equal to the height of the smallest unit (A), the distance from the unit to the wall (B) must be a minimum of 10 inches (254 mm).

If 1/2 the height of the unit (A) is less than the height of the wall (C), the distance from the unit to the wall (B) must be a minimum of 12 inches (305 mm).

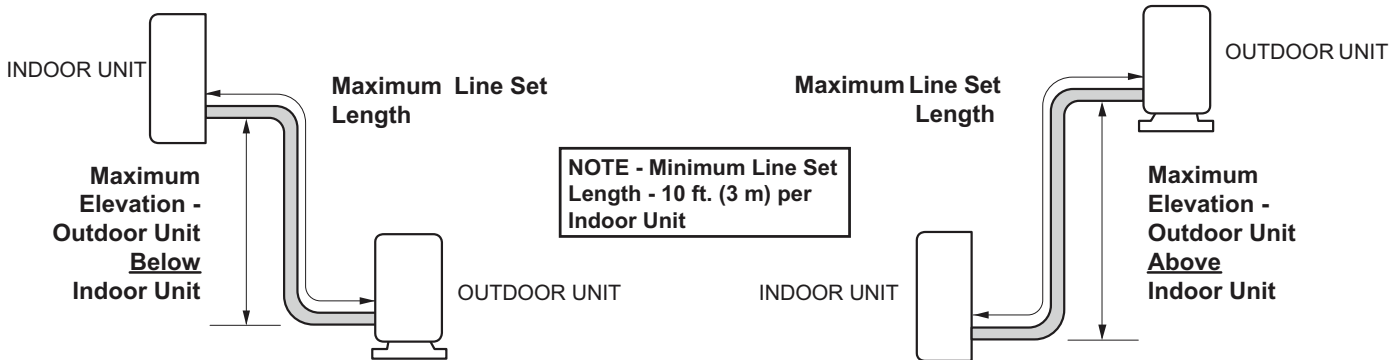
If the height of the wall (C) is greater than the height of the unit (A), the distance from the unit to the wall (B) must be a minimum of 20 inches (508 mm).



**LINE SET AND ELEVATION GUIDELINES**

**Outdoor Unit BELOW Indoor Unit**

**Outdoor Unit ABOVE Indoor Unit**



Size	Line Set Diameters (in.)		Maximum Elevation - Outdoor Unit <u>Below</u> Indoor Unit ft. (m)	Maximum Elevation - Outdoor Unit <u>Above</u> Indoor Unit ft. (m)	Maximum Line Set Length ft. (m)
	Liquid	Gas			
009	1/4	3/8	33 ft. (10 m)	33 ft. (10 m)	82 ft. (25 m)
012	1/4	1/2	33 ft. (10 m)	33 ft. (10 m)	82 ft. (25 m)
018	1/4	1/2	66 ft. (20 m)	66 ft. (20 m)	98 ft. (30 m)
024	3/8	5/8	82 ft. (25 m)	82 ft. (25 m)	164 ft. (50 m)



## REVISIONS

Sections	Description of Change
Optional Accessories	Condensate Pump selection updated.



Visit us at [www.Lennox.com](http://www.Lennox.com)

For the latest technical information, [www.LennoxPros.com](http://www.LennoxPros.com)

Contact us at 1-800-4-LENNOX

NOTE - Due to Lennox' ongoing commitment to quality, Specifications, Ratings and Dimensions subject to change without notice and without incurring liability. Improper installation, adjustment, alteration, service or maintenance can cause property damage or personal injury. Installation and service must be performed by a qualified installer and servicing agency.

©2023 Lennox Industries, Inc.