

ROOFTOP UNITS BURGLAR BARS

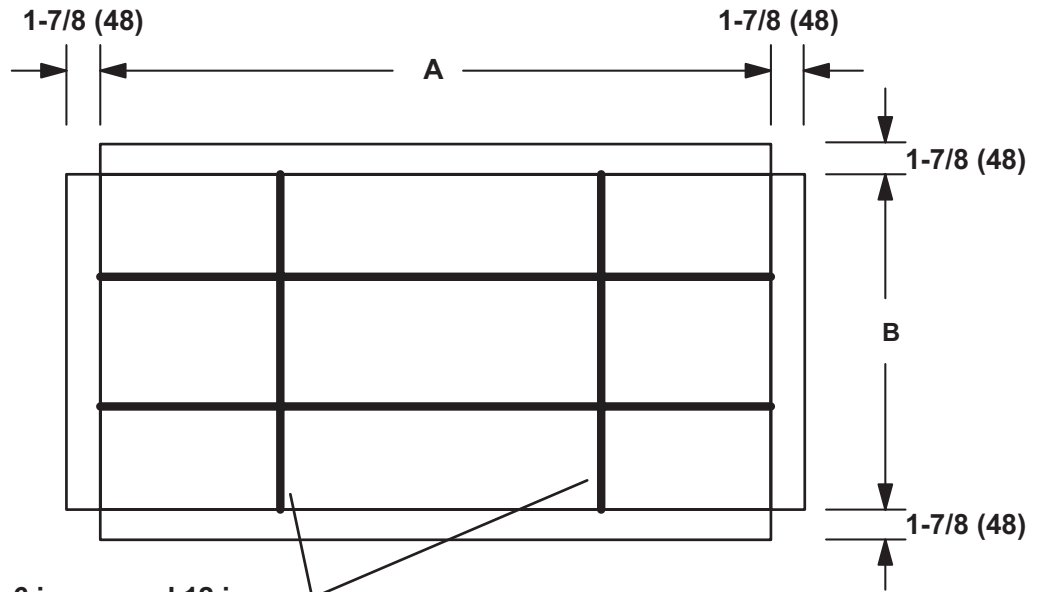


COMMERCIAL PRODUCT SPECIFICATIONS

Bulletin No. 210518
September 2022
Supersedes December 2020

CUSTOMER:

PROJECT:



3/4 in. burglar bars are 6 in o.c. and 12 in. o.c.

- Heavy gauge galvanized frame
- Fully welded
- 3/4 in. bar meets ASTM specification
- Frame meets ASTM A446, A525, A526 and A527 specification
- Burglar bars designed to fit into ductwork

QTY.	TAG	Model L / Enlight / Xion Energence / Landmark Rooftop Unit Sizes	Burglar Bar Catalog No.	Supply				Return			
				A		B		A		B	
				in.	mm	in.	mm	in.	mm	in.	mm
		024-090	Y1037	17-1/8	435	19-1/8	486	10-5/8	271	30	762
		078-150	Y3355	27-3/4	705	19-3/4	502	24-3/4	629	27-3/4	705
		156-300S	44N20 (US) X2889 (CA)	59-1/2	1511	19	483	59-1/2	1511	14	356
		242, 300H-360	Y1036	59-1/2	1511	19	483	77-1/2	1969	14	356

Visit us at www.Lennox.com

For the latest technical information, www.LennoxPros.com

Contact us at 1-800-4-LENNOX

NOTE - Due to Lennox' ongoing commitment to quality, Specifications, Ratings and Dimensions subject to change without notice and without incurring liability. Improper installation, adjustment, alteration, service or maintenance can cause property damage or personal injury. Installation and service must be performed by a qualified installer and servicing agency.