

PACKAGED UNITS KITS AND ACCESSORIES

506204-02
6/2024
Supersedes 7/2021

DIRTY FILTER SWITCH KIT

INSTALLATION INSTRUCTIONS FOR DIRTY FILTER SWITCH KIT (603364-03, 04, 05; 53W66, 53W67, 53W68) USED ON LG/LC UNITS

Shipping and Packing List

Package 1 of 1 contains:

- 1- Filter switch (S27)
- 1- Plastic tubing
- 2- Screws

Application

Filter switch kit is used on LG/LC 024-600 (2 to 50 ton) packaged units. See TABLE 1 for usage.

The normally open filter switch will close with an increase in static pressure.

The Unit Controller will display and store an error code and energize a service output. See Unit Controller manual provided with unit.

TABLE 1

Unit Tonnage	Kit
024-074	603364-03; 53W66
092-150	603364-04; 53W67
156-600	603364-05; 53W68

⚠️ WARNING

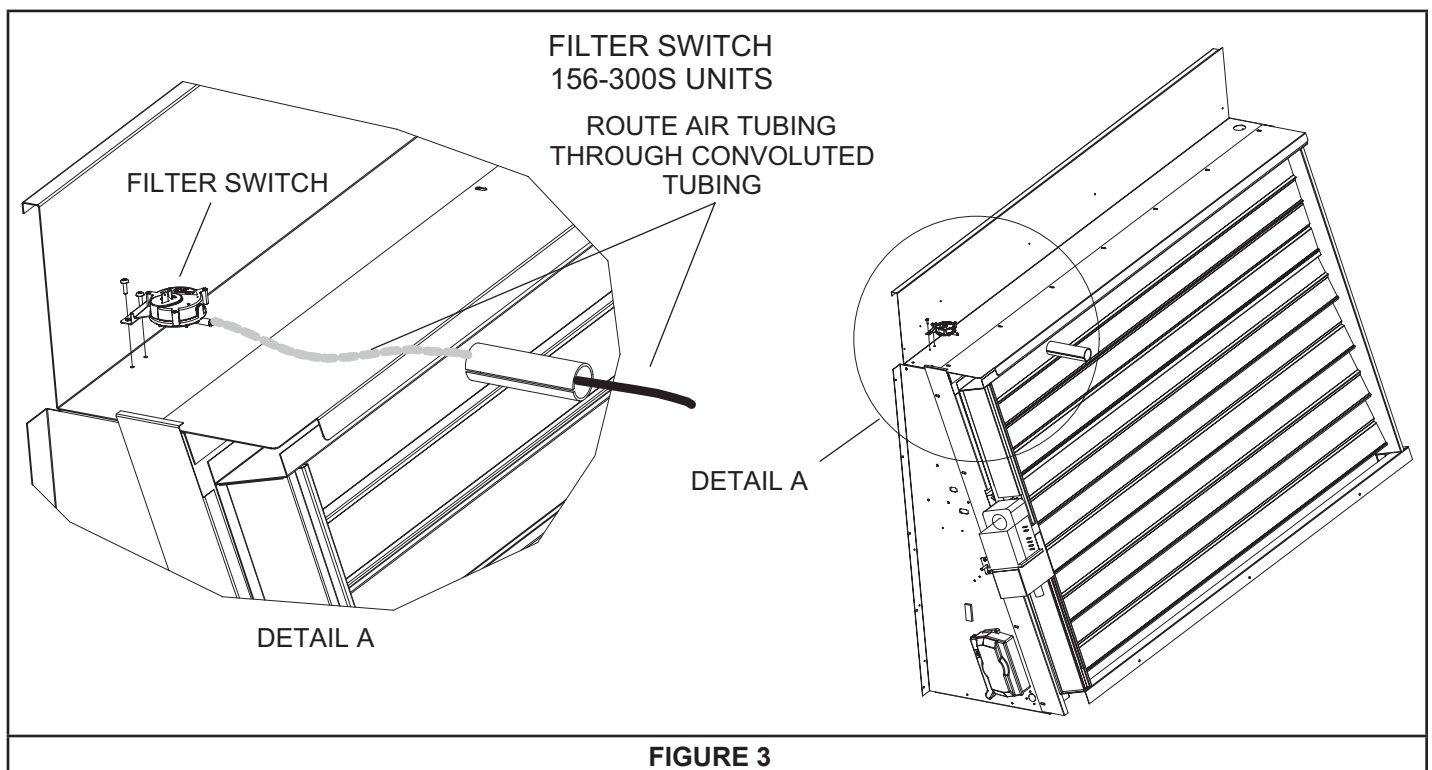
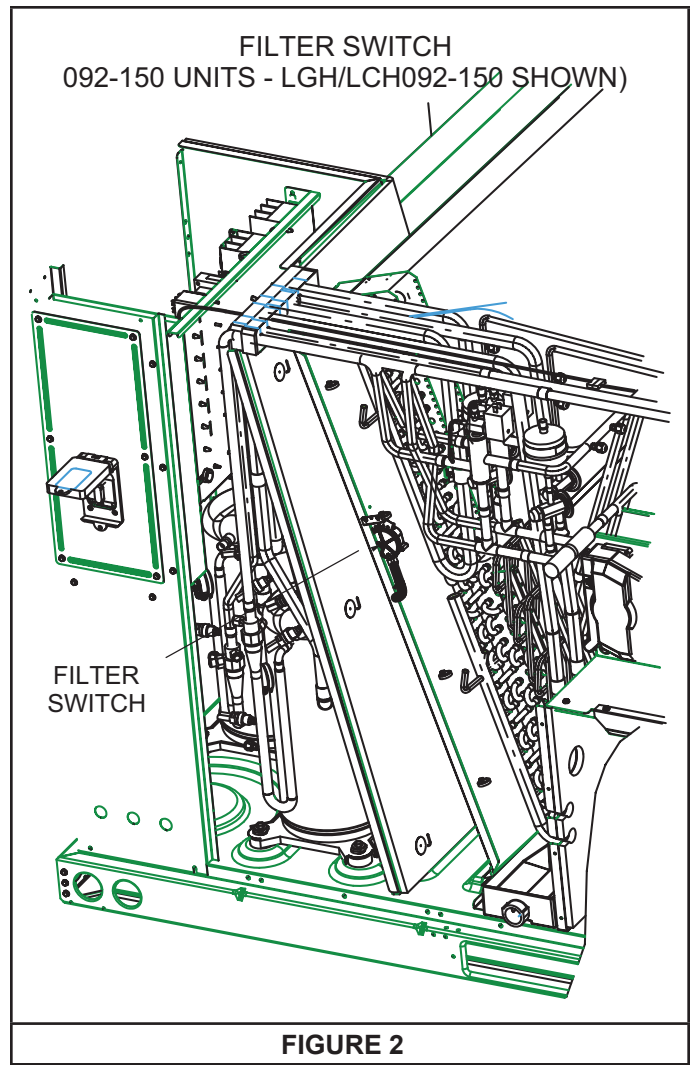
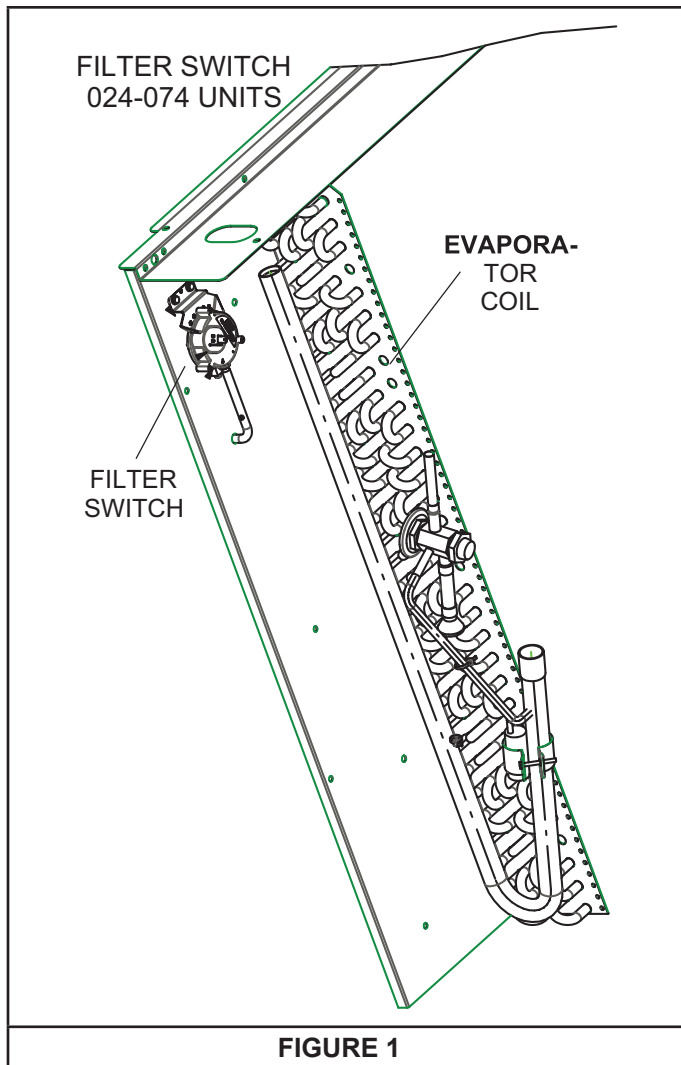
Improper installation, adjustment, alteration, service or maintenance can cause property damage, personal injury or loss of life. Installation and service must be performed by a licensed professional HVAC installer or equivalent, service agency, or the gas supplier

Installation

- 1 - Disconnect all electrical power to unit. Open filter access door.
- 2 - Install filter switch in location shown in FIGURE 1 for 024-074 units, FIGURE 2 for 092-150 units, FIGURE 3 for 156-300S units and FIGURE 4 for 420-600 units.
- 3 - Connect one end of plastic tubing to the filter switch port. See FIGURE 5. On 420-600 units, cut the 30" tubing (provided) to 18-1/2 ".
- 4 - Route the other end of plastic tubing as shown in appropriate figure.
- 5 - Locate wires marked S27-C and S27-NO hanging near filter switch. Connect wire marked S27-C to the switch common terminal. Connect wire marked S27-NO to the switch NO terminal. See FIGURE 5.
- 6 - M3/M4 Unit Controller Setup: Go to SETUP / INSTALL to enable the Dirty Filter Switch (S27). Navigate through the setup questions until Configuration ID 2 appears. Set position two to C if the dirty filter switch is installed on units equipped with an M3/M4 Unit Controller. Set position two to D if the dirty filter switch is installed on units equipped with a DDC controller.

⚠️ CAUTION

As with any mechanical equipment, contact with sharp sheet metal edges can result in personal injury. Take care while handling this equipment and wear gloves and protective clothing.



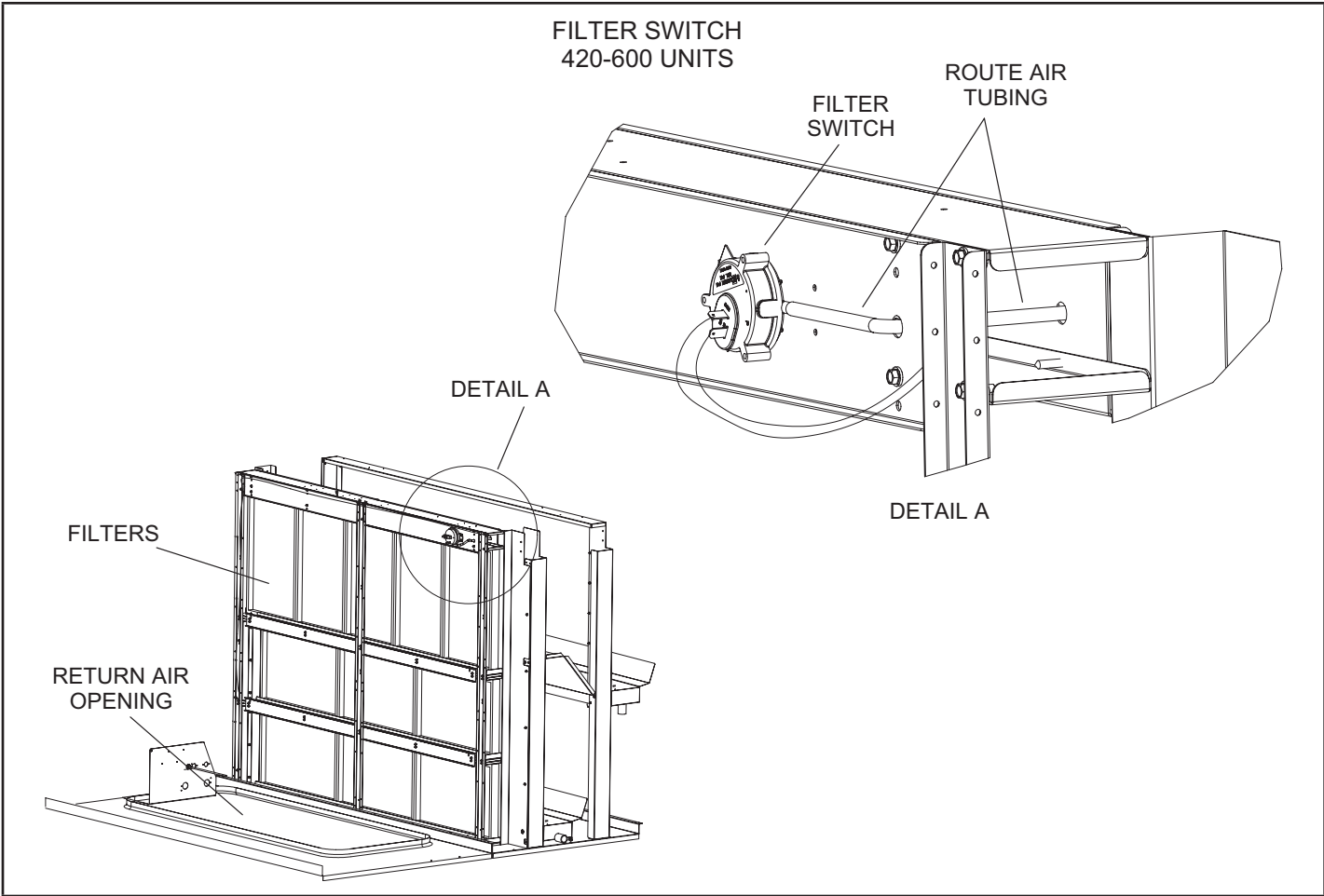


FIGURE 4

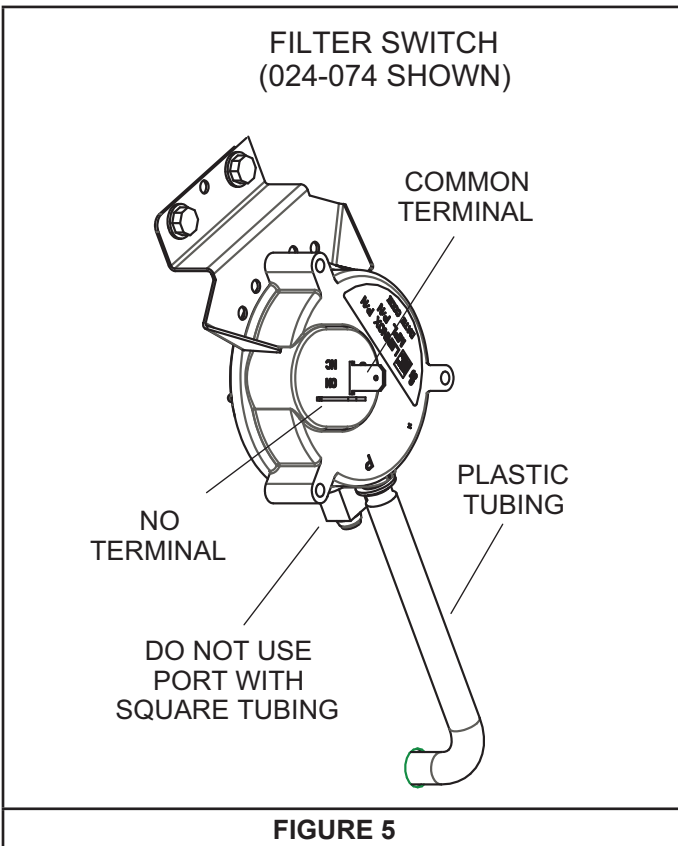


FIGURE 5