

Job:
Location:
Schedule No.:
System Designation:

Engineer:
Architect:
Location:
Date:

For: Reference Approval Review Construction

Ceiling and Floor Indoor Unit

FEATURES

- Pre Heat Function
- Auto Addressing
- Auto Restart
- Electronic Expansion Valve
- High-Efficiency DC Motor
- Four Built-In Dry Contact Relays
- Flare Connections
- Refrigerant R-410A
- Seven Capacity Sizes from 12,000 to 48,000 Btu/h

WARRANTY

- 10-year limited warranty.*See warranty for details.

SPECIFICATIONS

PERFORMANCE

Cooling Capacity ¹ (Btu/h)	12,000
Heating Capacity ¹ (Btu/h)	13,500
Airflow (CFM)	Low/Medium/High 259/294/335
External Static Pressure (in. w.g.)	0~0.04
Sound (dBA)	Low/Medium/High 41/45/47

ELECTRICAL DATA

Power Supply (Volts/Hertz/Phase)	208-230/60/1
Minimum Circuit Ampacity (MCA) (A)	0.44
Maximum Overcurrent Protection (MOP) (A)	15
Cooling Power Input ² (W)	18
Cooling Rated Current (A)	0.4
Heating Power Input ² (W)	17
Heating Rated Current (A)	0.4
Indoor Fan Motor Input (W)	24

DIMENSIONS

Unit Dimensions (in)	Width	39
	Height	26
	Depth	8-1/8
Liquid Pipe Connection (in) (I.D.)		1/4
Gas Pipe Connection (in) (I.D.)		1/2
Drain Connection (in) (O.D.)		5/8
Net Weight (lb)		57
Shipping Weight (lb)		71



OPTIONAL ACCESSORIES

Non-Programmable Controller	V0STAT54P-3
Programmable Wired Controller	V0STAT51P-3
Infrared Wireless Controller	V0STAT52P-1
Occupancy Sensor	V0SNSR78P-3
HHE Relay Kit	V0CTRL92P-3
Hotel Keycard Interface	V0CTRL88P-1
Condensate Pumps (Reference Condensate Pump Selection Guide)	-

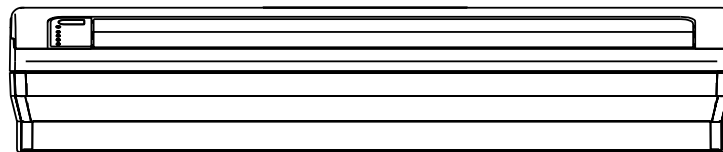
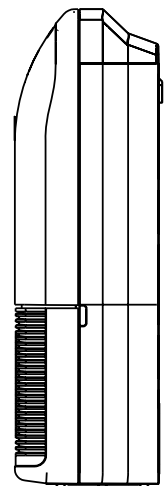
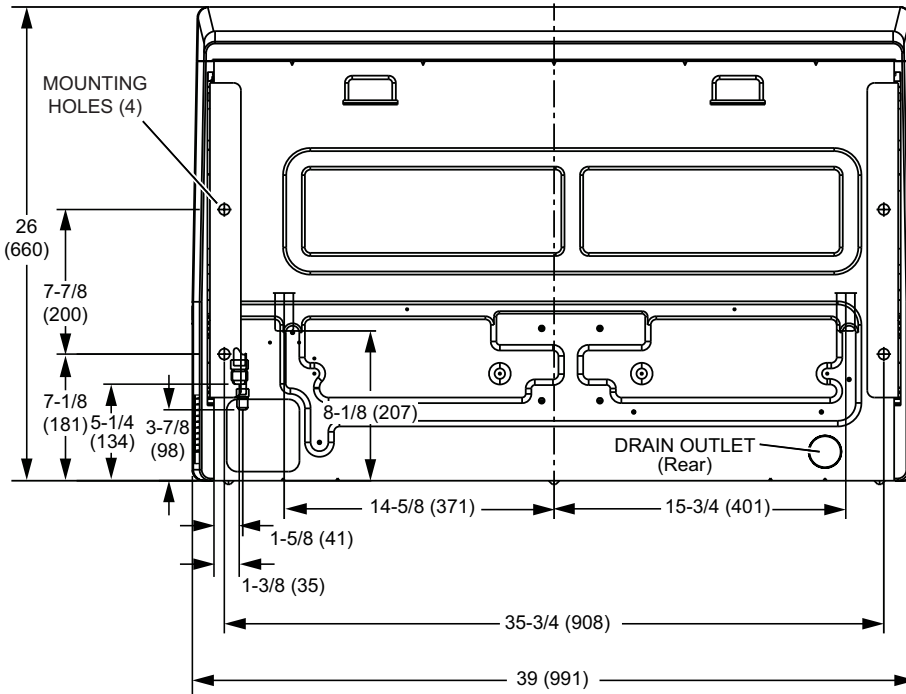
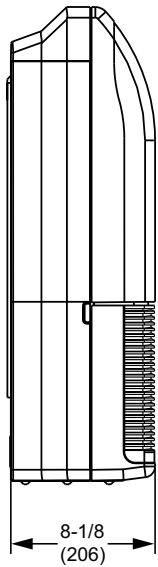
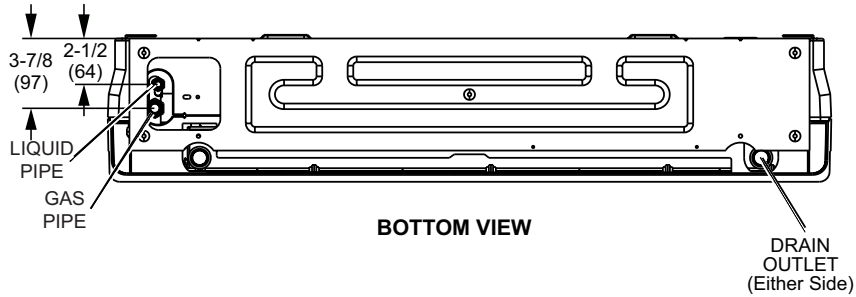
NOTES

1. Cooling and Heating capacity data is rated at the following conditions:
Cooling: 80°FDB / 67°F WB Indoor, 95°FDB
Outdoor Heating: 70°FDB Indoor, 47°FDB / 43°F WB Outdoor.
2. Power Input values are rated at high fan speed.



DIMENSIONAL DRAWINGS - INCHES (MM)

VCFB012H4



NOTE - Due to Lennox' ongoing commitment to quality, Specifications, Ratings and Dimensions subject to change without notice and without incurring liability. Improper installation, adjustment, alteration, service or maintenance can cause property damage or personal injury. Installation and service must be performed by a qualified installer and servicing agency.