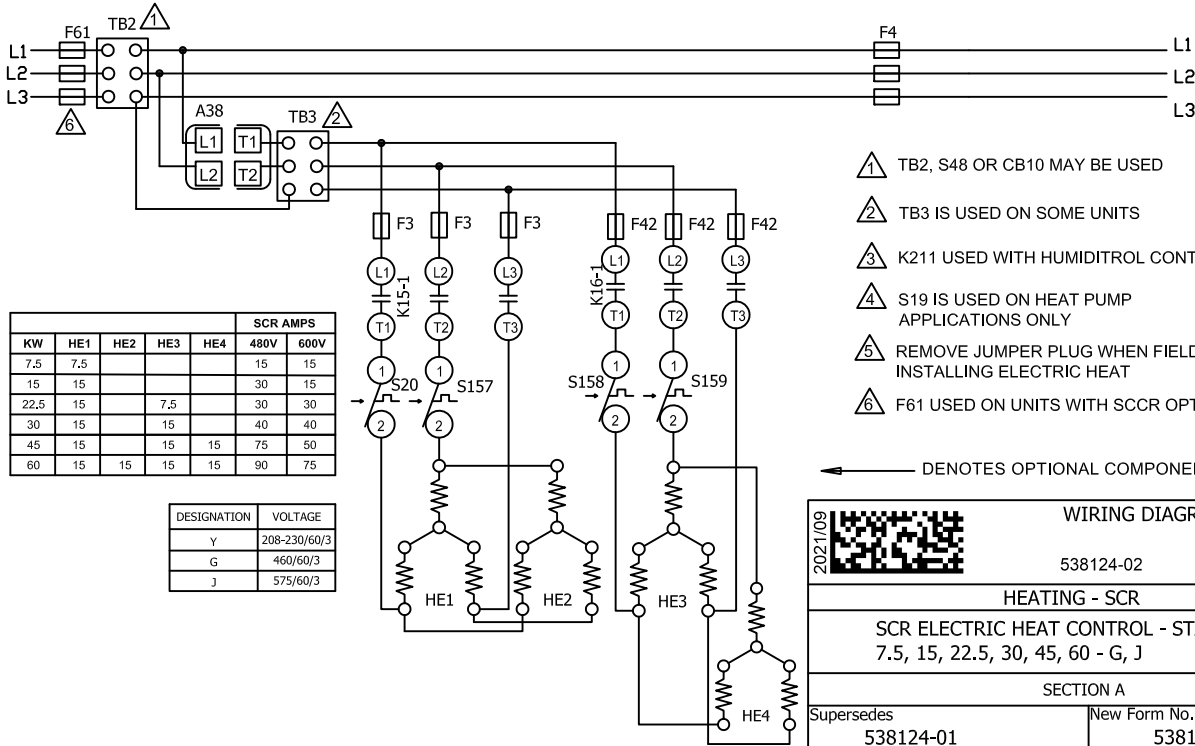


KEY	DESCRIPTION
A38	CONTROL, SCR ELECTRIC HEAT
A55	PANEL, MAIN
A104	THERMOSTAT, SUPPLY AIR
F3	FUSE, ELECTRIC HEAT 1
F4	FUSE, UNIT
F42	FUSE, ELECTRIC HEAT 2
F61	FUSE, UNIT - SCCR
HE1	ELEMENT, ELECTRIC HEAT 1
HE2	ELEMENT, ELECTRIC HEAT 2
HE3	ELEMENT, ELECTRIC HEAT 3
HE4	ELEMENT, ELECTRIC HEAT 4
K15,-1	CONTACTOR, ELECTRIC HEAT 1

K16,-1	CONTACTOR, ELECTRIC HEAT 2
K161,-1	RELAY, SCR INTERRUPT
K162,-1	RELAY, SCR HIGH OUTPUT
K211-1	RELAY, LOCKOUT
RT20	SENSOR, DISCHARGE SCR
S15	SWITCH, LIMIT PRIMARY ELECTRIC HEAT
S19	THERMOSTAT, ELECTRIC HEAT LIMIT
S20	SWITCH, LIMIT SECONDARY ELEC. HEAT 1 (NO RESET)
S26	THERMOSTAT, AMBIENT
S157	SWITCH, LIMIT SECONDARY ELEC. HEAT 2 (NO RESET)
S158	SWITCH, LIMIT SECONDARY ELEC. HEAT 3 (NO RESET)
S159	SWITCH, LIMIT SECONDARY ELEC. HEAT 4 (NO RESET)
TB2	TERMINAL STRIP, UNIT
TB36	TERMINAL STRIP, SCR

KEY	DESCRIPTION
7	ELECTRIC HEAT SUB BASE KIT
297	THERMOSTAT INTERFACE



- ⚠ TB2, S48 OR CB10 MAY BE USED
- ⚠ TB3 IS USED ON SOME UNITS
- ⚠ K211 USED WITH HUMIDITROL CONTROL
- ⚠ S19 IS USED ON HEAT PUMP APPLICATIONS ONLY
- ⚠ REMOVE JUMPER PLUG WHEN FIELD INSTALLING ELECTRIC HEAT
- ⚠ F61 USED ON UNITS WITH SCCR OPTION

← DENOTES OPTIONAL COMPONENTS

		SCR AMPS				
KW	HE1	HE2	HE3	HE4	480V	600V
7.5	7.5				15	15
15	15				30	15
22.5	15		7.5		30	30
30	15		15		40	40
45	15		15	15	75	50
60	15	15	15	15	90	75

DESIGNATION	VOLTAGE
Y	208-230/60/3
G	460/60/3
J	575/60/3

2021/09	WIRING DIAGRAM	9/21
	538124-02	
HEATING - SCR		
SCR ELECTRIC HEAT CONTROL - STAND ALONE 7.5, 15, 22.5, 30, 45, 60 - G, J		
SECTION A		REV. 0
Supersedes 538124-01	New Form No. 538124-02	