



AA

BB

CC

DD

EE

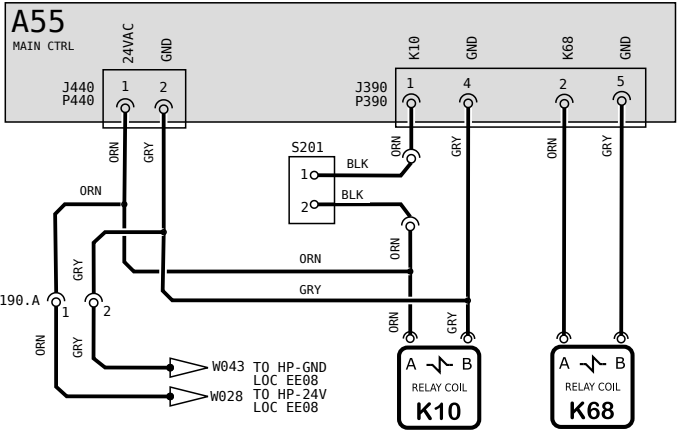
FF

KEY LIST		
LOCATION	COMPONENT DESCRIPTION	
FF08	A187	PRESSURE TRANSDUCER 1
EE07	A190	HEAD PRESSURE CONTROLLER 1
AA/BB08	B4, B5	MOTOR, OUTDOOR FAN 1, 2
CC09	B21, B22	MOTOR, OUTDOOR FAN 3
AA/BB07	C1, C2	CAPACITOR, OUTDOOR FAN 1, 2
CC/DD08	C19, C20	CAPACITOR, OUTDOOR FAN 3, 4
DD06	F10	FUSE, COMPONENT
CC05/AA/BB07	K10	RELAY, OUTDOOR FAN 1, 2
DD05/CC07	K68	RELAY, OUTDOOR FAN 3, 4
CC04	S201	TEMPERATURE SWITCH, OUTDOOR

01

02

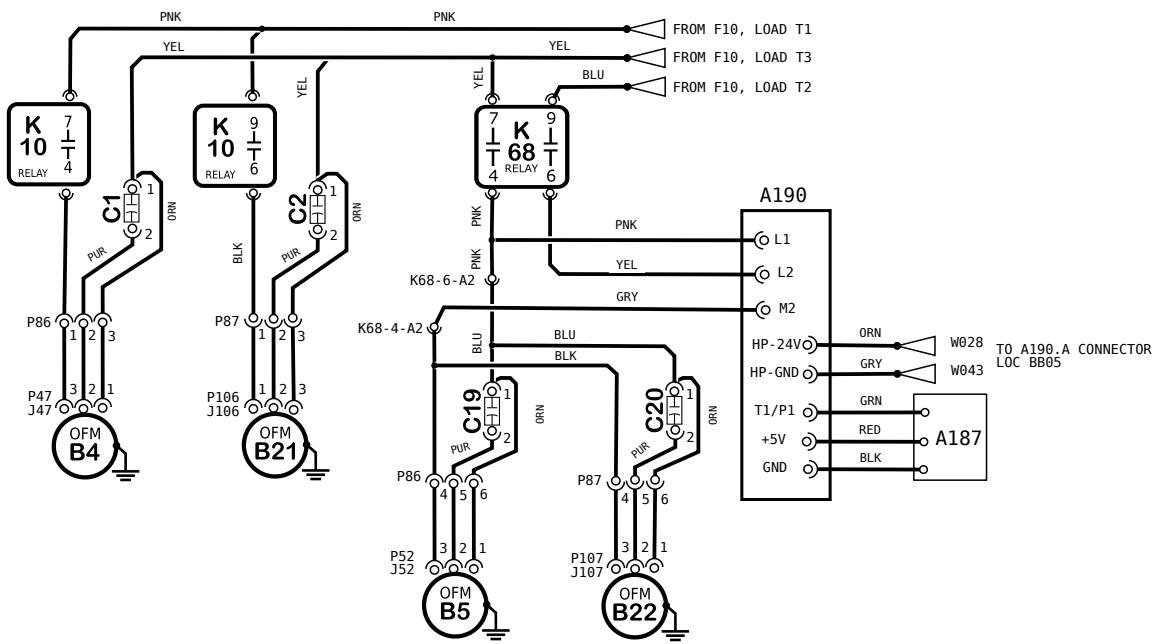
03



04

05

06



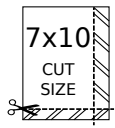
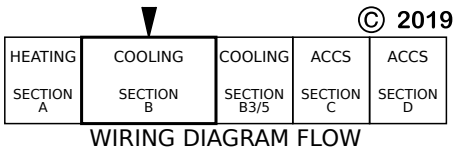
07

08

09

10

Model: LCX LGX 240S
 LOW AMBIENT KIT
 Voltage: ALL VOLTAGES
 Supersedes: N/A Form No: 538554-01 Rev: 0



REV	EC NO.	DATE	BY	APVD	REVISION NOTE
---	CN-012404A	05-10-2024	DEV	JAL21	ORIGINATED AT PD&R CARROLLTON, TX



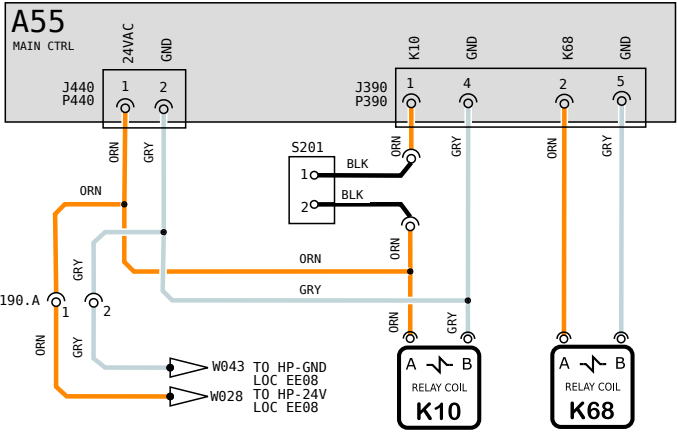
AA **BB** **CC** **DD** **EE** **FF**

KEY LIST		
LOCATION	COMPONENT DESCRIPTION	
FF08	A187	PRESSURE TRANSDUCER 1
EE07	A190	HEAD PRESSURE CONTROLLER 1
AA/BB08	B4, B5	MOTOR, OUTDOOR FAN 1, 2
CC09	B21, B22	MOTOR, OUTDOOR FAN 3
AA/BB07	C1, C2	CAPACITOR, OUTDOOR FAN 1, 2
CC/DD08	C19, C20	CAPACITOR, OUTDOOR FAN 3, 4
DD06	F10	FUSE, COMPONENT
CC05/AA/BB07	K10	RELAY, OUTDOOR FAN 1, 2
DD05/CC07	K68	RELAY, OUTDOOR FAN 3, 4
CC04	S201	TEMPERATURE SWITCH, OUTDOOR

01

02

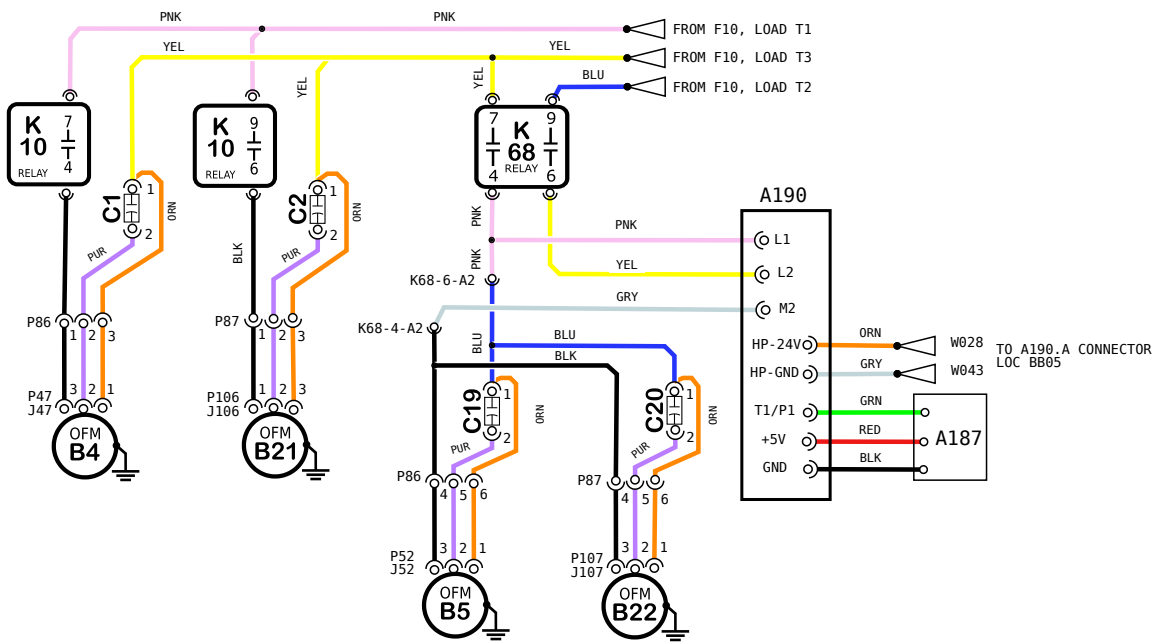
03



04

05

06



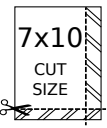
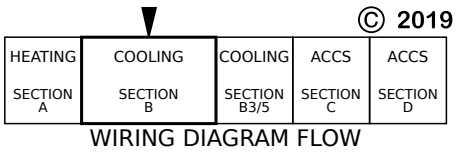
07

08

09

10

Model: LCX LGX 240S
 LOW AMBIENT KIT
 Voltage: ALL VOLTAGES
 Supersedes: N/A Form No: 538554-01 Rev: 0



REV	EC NO.	DATE	BY	APVD	REVISION NOTE
---	CN-012404A	05-10-2024	DEV	JAL21	ORIGINATED AT PD&R CARROLLTON, TX