

ADDENDUM TO MODEL L AND ENLIGHT B BOX UNITS EQUIPPED WITH A 500MM BLOWER

This unit is equipped with a 500mm blower. Use the blower table on the reverse side of this addendum instead of the blower table provided in the unit installation instruction. The S10 limit switch is located on the right side of the blower housing. See figure 1.

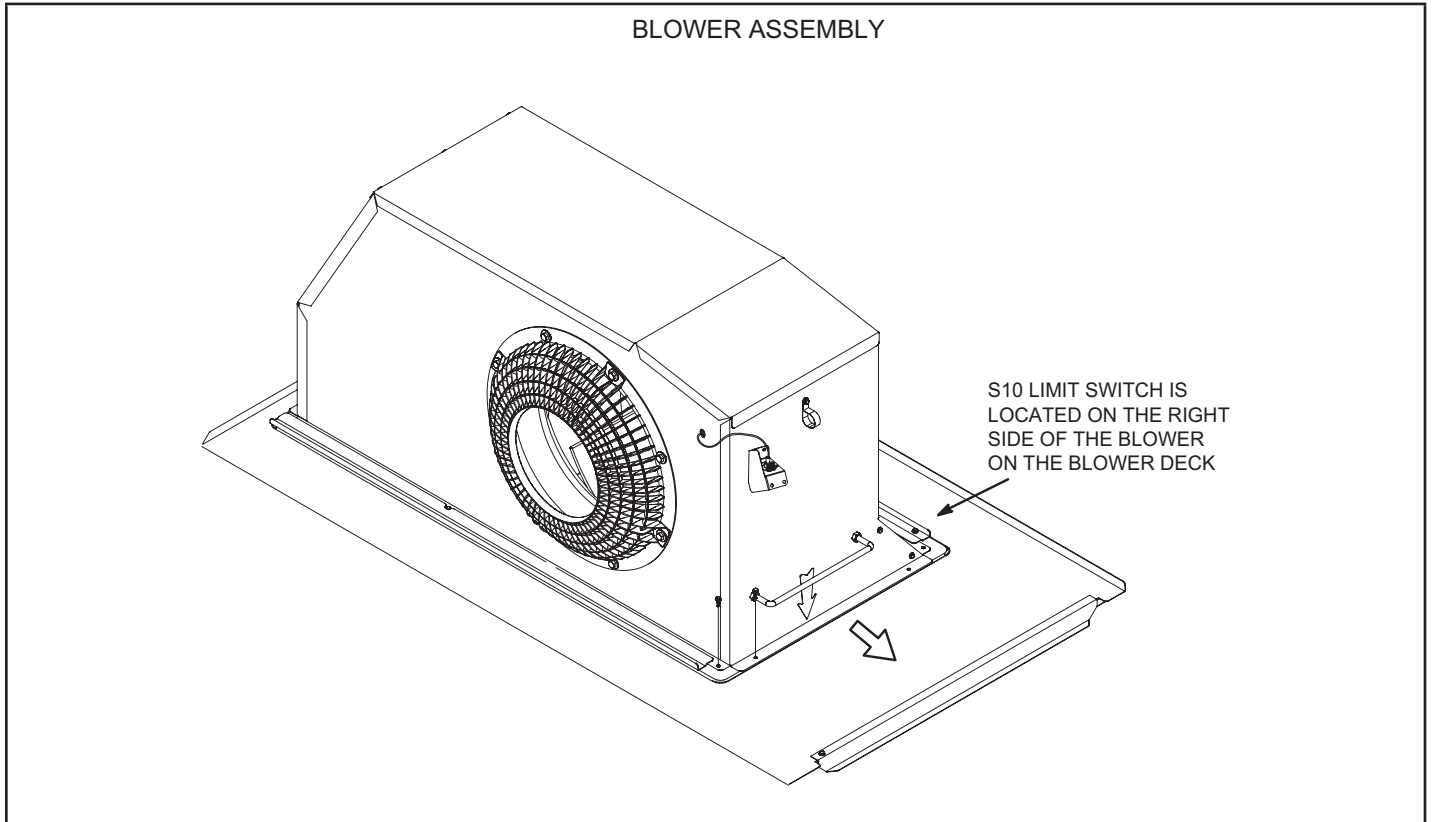


FIGURE 1

BLOWER DATA

BLOWER TABLE INCLUDES RESISTANCE FOR BASE UNIT ONLY (NO HEAT SECTION) WITH DRY INDOOR COIL AND AIR FILTERS IN PLACE.

FOR ALL UNITS ADD:

- 1- Wet indoor coil air resistance of selected unit.
- 2- Any factory installed options air resistance (heat section, Economizer, etc.)
- 3- Any field installed accessories air resistance (duct resistance, diffuser, etc.)

See unit installation instruction for wet coil and option/accessory air resistance data.

MAXIMUM STATIC PRESSURE WITH GAS HEAT - 2.0 in. w.g.

MINIMUM AIR VOLUME REQUIRED FOR USE WITH OPTIONAL ELECTRIC HEAT (Maximum Static Pressure - 2.0 in. w.g.)

092, 102 Models - 7.5 kW - 1750 cfm

All Models - 15 kW, 22.5 kW, 30 kW, 45 kW - 2750 cfm

120, 150 Models - 60 kW - 3500 cfm

| Total Air Volume cfm | Total Static Pressure - in. w.g. | | | | | | | | | | | | | |
|----------------------------|----------------------------------|-------|------|-------|------|-------|------|-------|------|-------|------|-------|------|-------|
| | 0.2 | | 0.4 | | 0.6 | | 0.8 | | 1.0 | | 1.2 | | 1.4 | |
| | RPM | Watts | RPM | Watts | RPM | Watts | RPM | Watts | RPM | Watts | RPM | Watts | RPM | Watts |
| 1750 | 644 | 137 | 740 | 235 | 796 | 302 | 833 | 343 | 873 | 373 | 996 | 558 | 1065 | 664 |
| 2000 | 675 | 165 | 768 | 260 | 821 | 330 | 861 | 386 | 960 | 507 | 1026 | 629 | 1094 | 753 |
| 2250 | 711 | 195 | 803 | 290 | 856 | 375 | 901 | 497 | 991 | 564 | 1058 | 703 | 1128 | 840 |
| 2500 | 764 | 241 | 852 | 335 | 904 | 439 | 951 | 568 | 1025 | 641 | 1097 | 789 | 1170 | 934 |
| 2750 | 847 | 316 | 901 | 399 | 946 | 543 | 1004 | 674 | 1074 | 746 | 1146 | 895 | 1220 | 1041 |
| 3000 | 944 | 426 | 980 | 511 | 1021 | 671 | 1074 | 803 | 1136 | 874 | 1205 | 1021 | 1276 | 1167 |
| 3250 | 1022 | 544 | 1057 | 640 | 1099 | 810 | 1149 | 942 | 1207 | 1012 | 1272 | 1156 | 1338 | 1304 |
| 3500 | 1092 | 666 | 1131 | 770 | 1174 | 948 | 1225 | 1081 | 1281 | 1151 | 1342 | 1297 | 1402 | 1451 |
| 3750 | 1161 | 780 | 1202 | 892 | 1248 | 1079 | 1298 | 1217 | 1353 | 1291 | 1409 | 1445 | 1463 | 1609 |
| 4000 | 1230 | 888 | 1273 | 1010 | 1319 | 1212 | 1369 | 1362 | 1421 | 1441 | 1471 | 1608 | 1518 | 1784 |
| 4250 | 1299 | 1006 | 1342 | 1140 | 1388 | 1362 | 1436 | 1526 | 1483 | 1612 | 1528 | 1790 | 1571 | 1975 |
| 4500 | 1366 | 1142 | 1409 | 1289 | 1454 | 1532 | 1498 | 1708 | 1542 | 1798 | 1583 | 1984 | 1623 | 2172 |
| 4750 | 1432 | 1295 | 1474 | 1457 | 1516 | 1719 | 1558 | 1903 | 1598 | 1997 | 1637 | 2187 | 1674 | 2377 |
| 5000 | 1496 | 1471 | 1537 | 1645 | 1577 | 1921 | 1616 | 2110 | 1654 | 2205 | 1690 | 2396 | 1726 | 2586 |
| 5250 | 1560 | 1667 | 1598 | 1849 | 1636 | 2132 | 1673 | 2324 | 1709 | 2419 | 1744 | 2609 | 1779 | 2796 |
| 5500 | 1623 | 1878 | 1659 | 2064 | 1695 | 2349 | 1731 | 2539 | 1765 | 2634 | - | - | - | - |
| 5750 | 1686 | 2097 | 1720 | 2284 | 1755 | 2567 | - | - | - | - | - | - | - | - |
| 6000 | 1748 | 2316 | 1781 | 2502 | - | - | - | - | - | - | - | - | - | - |

| Total Air Volume cfm | Total Static Pressure - in. w.g. | | | | | | | | | | | |
|----------------------------|----------------------------------|-------|------|-------|------|-------|------|-------|------|-------|------|-------|
| | 1.6 | | 1.8 | | 2.0 | | 2.2 | | 2.4 | | 2.6 | |
| | RPM | Watts | RPM | Watts | RPM | Watts | RPM | Watts | RPM | Watts | RPM | Watts |
| 1750 | 1134 | 775 | 1203 | 896 | 1275 | 1025 | 1356 | 1149 | 1422 | 1287 | 1470 | 1439 |
| 2000 | 1162 | 878 | 1231 | 1007 | 1302 | 1139 | 1379 | 1268 | 1440 | 1411 | 1486 | 1570 |
| 2250 | 1198 | 975 | 1268 | 1111 | 1338 | 1250 | 1409 | 1388 | 1464 | 1542 | 1507 | 1711 |
| 2500 | 1243 | 1075 | 1313 | 1217 | 1380 | 1365 | 1442 | 1517 | 1491 | 1685 | 1533 | 1860 |
| 2750 | 1293 | 1186 | 1361 | 1336 | 1423 | 1494 | 1477 | 1661 | 1520 | 1839 | 1561 | 2016 |
| 3000 | 1346 | 1317 | 1410 | 1474 | 1466 | 1642 | 1514 | 1818 | 1554 | 2000 | 1594 | 2180 |
| 3250 | 1402 | 1460 | 1460 | 1627 | 1511 | 1803 | 1553 | 1986 | 1591 | 2172 | 1631 | 2352 |
| 3500 | 1459 | 1616 | 1509 | 1793 | 1555 | 1976 | 1594 | 2165 | 1631 | 2352 | 1671 | 2531 |
| 3750 | 1512 | 1785 | 1557 | 1970 | 1599 | 2159 | 1636 | 2350 | 1673 | 2536 | 1713 | 2714 |
| 4000 | 1562 | 1969 | 1604 | 2157 | 1643 | 2347 | 1680 | 2538 | 1717 | 2722 | 1756 | 2896 |
| 4250 | 1611 | 2163 | 1650 | 2352 | 1688 | 2541 | 1724 | 2729 | 1762 | 2908 | - | - |
| 4500 | 1661 | 2362 | 1698 | 2552 | 1734 | 2739 | 1770 | 2922 | - | - | - | - |
| 4750 | 1710 | 2567 | 1746 | 2754 | - | - | - | - | - | - | - | - |
| 5000 | 1761 | 2774 | - | - | - | - | - | - | - | - | - | - |
| 5250 | - | - | - | - | - | - | - | - | - | - | - | - |