



**RESIDENTIAL
PRODUCT SPECIFICATIONS**

Bulletin No. 210872
December 2024
Supersedes all previous versions

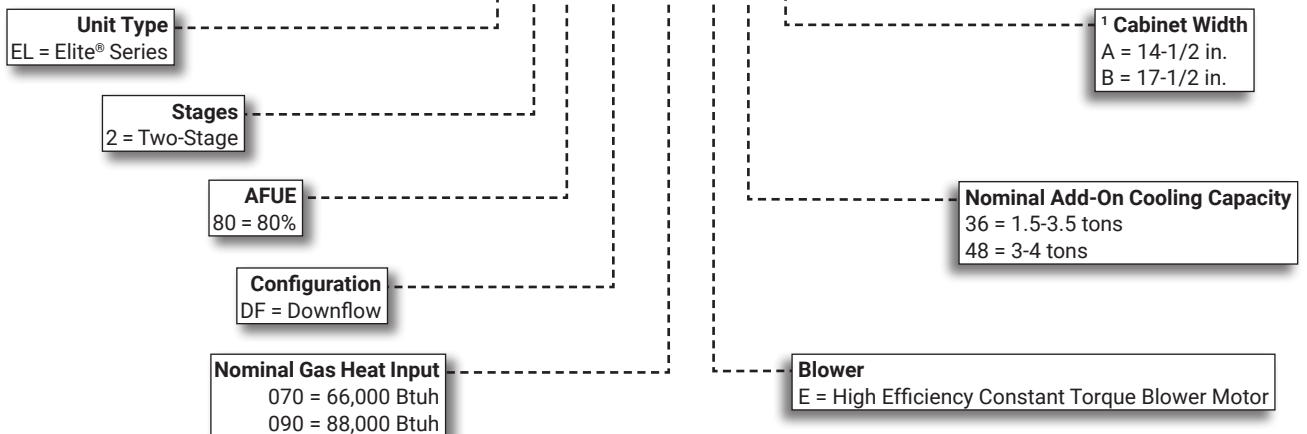


**ELITE®
SERIES**

AFUE - 80%
Input - 66,000 to 88,000 Btuh
Nominal Add-on Cooling - 1.5 to 4 Tons

MODEL NUMBER IDENTIFICATION

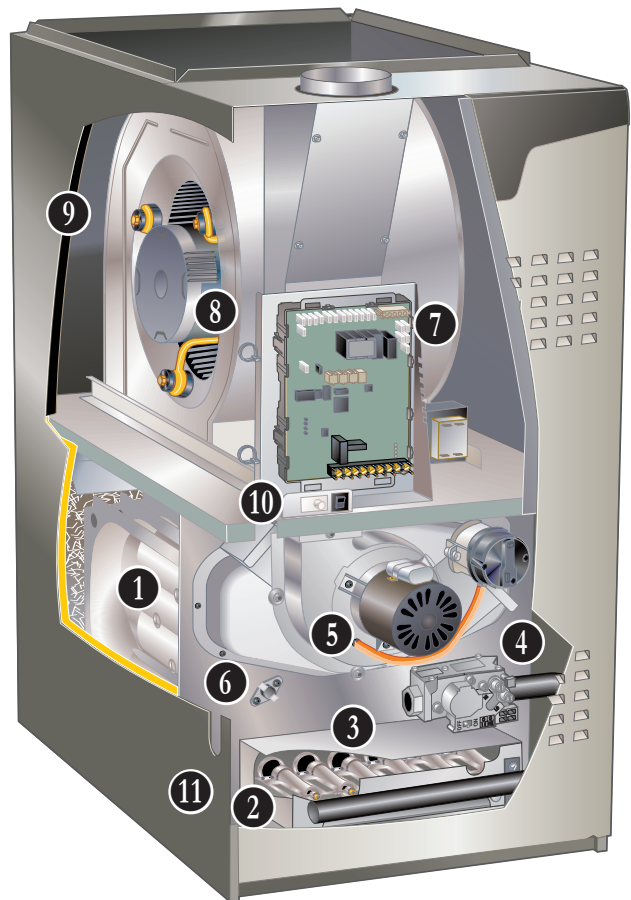
EL 2 80 DF 070 E 36 A



¹ Downflow indoor coils with the same letter designation will physically match the furnace supply air opening.

FEATURE HIGHLIGHTS

1. Lennox Duralok™ Heat Exchanger
2. Inshot Burners
3. SureLight® Hot Surface Ignitor
4. Two-Stage Gas Control Valve
5. Two-Speed Combustion Air Inducer
6. Flame Rollout Switches
7. SureLight® Integrated Furnace Control
8. Power Saver™ Constant Torque Blower
9. Insulated Cabinet
10. Safety Interlock Switch
11. Gas Piping And Electrical Inlets



NOTE - EL280DFE FURNACES ARE NOT AVAILABLE IN CANADA!

CONTENTS

| | |
|---|----|
| Blower Data | 12 |
| Approvals And Warranty | 3 |
| Dimensions | 9 |
| - Furnace/Coil Combined Dimensions | 11 |
| - Optional Accessories | 10 |
| - Unit | 9 |
| Features | 3 |
| Gas Heat Accessories | 8 |
| High Altitude Derate | 8 |
| Installation Clearances | 8 |
| Model Number Identification. | 1 |
| Optional Accessories - Order Separately | 7 |
| Specifications | 7 |

APPROVALS AND WARRANTY

APPROVALS

- AHRI Certified
- CSA International Certified
- Tested and rated according to US DOE test procedures and FTC labeling regulations
- ISO 9001 Registered Manufacturing Quality System
- Blower data from unit tests conducted in Lennox Laboratory air test chamber

NOTE - This furnace has not been CSA International design certified for installation in mobile homes, recreational vehicles, or outdoors.

California Only

- These furnaces **do not meet** the South Coast Air Quality Management District (SCAQMD) Rule 1111 and San Joaquin Valley Air Pollution Control District (SJVAPCD) Rule 4905 NOx emission limit (14 ng/J) and cannot be installed within the SCAQMD and SJVAPCD areas

WARRANTY

- Duralok™ Aluminized Steel Heat Exchanger:
 - Limited twenty years in residential applications
 - Limited ten years in non-residential applications
- All other covered components:
 - Limited five years in residential installations
 - Limited one year in non-residential installations

NOTE - Refer to Lennox® Basic Limited Warranty at www.Lennox.com for additional details.

FEATURES

APPLICATIONS

- Input capacities of 66,000 and 88,000 Btuh
- Energy efficiency (AFUE) -80%
- Lennox add-on indoor coils, high-efficiency air cleaners and humidifiers can easily be added to furnace
- Shipped factory assembled with all controls installed and wired
- Each unit factory test operated to ensure proper operation

HEATING SYSTEM

- 1 Lennox Duralok™ Heat Exchanger Assembly**
 - Heavy gauge aluminized steel heat exchanger
 - Crimped seam clamshell type design
 - Designed for normal expansion and contraction
 - Minimum resistance to air flow
 - Heat exchanger has been laboratory life cycle tested in excess of industry standards
 - Compact size of heat exchanger permits low overall design of furnace cabinet
- 2 Inshot Burners**
 - Aluminized steel inshot burners provide efficient, trouble-free operation
 - Burner venturi mixes air and gas in correct proportion for proper combustion
 - Burner assembly is removable from the unit as a single component for ease of service
- 3 SureLight® Hot Surface Ignitor**
 - Tough, reliable, long-life, trouble-free performance
 - Silicon nitride ignitor
 - Cemented to steatite block for protection against current leakage
 - Ignition leads are constructed of nickel plated copper and are enclosed in high temperature Teflon® insulation for dependable operation
- 4 Two-Stage Gas Control Valve**
 - 24 volt redundant combination two-stage gas control valve combines manual shut off switch (On-Off), automatic electric valve (dual) and gas pressure regulation into a compact combination control
- 5 Two-Speed Combustion Air Inducer**
 - Heavy duty, permanent split capacitor (PSC) two-speed blower prepurges heat exchanger and safely vents flue products
 - Dual pressure switches (low fire/high fire) prove blower operation before allowing gas valve to open
 - Operates only during heating cycle
- 6 Flame Rollout Switch**
 - Factory installed on burner box
 - Switch provides protection from abnormal operating conditions
 - Manual reset

FEATURES

HEATING SYSTEM (continued)

Limit Controls

- Primary limit factory installed on vestibule panel
- Secondary limit factory installed on blower housing
- Automatic reset

Optional Accessories

High Altitude Pressure Switch Kit

- Required on most units for proper unit operation at altitudes from 4501 to 10,000 ft.

Natural Gas to LPG/Propane Conversion Kit

- Required for field changeover from natural gas to LPG/Propane

LPG/Propane to Natural Gas Conversion Kit

- Required for field changeover from LPG/Propane to natural gas

CONTROLS

7 SureLight® Integrated Two-Stage Furnace Control

- Contains all necessary controls and relays to operate furnace
- Combustion air inducer is operated by the integrated furnace control
- Prior to ignition, a pre-purge cycle for 15 seconds is initiated
- After the main burners are turned off, a post-purge cycle for 5 seconds is run
- Flame sensor assures safe and reliable operation
- Should loss of flame occur the integrated furnace control will initiate 4 re-attempts at ignition before locking out unit operation for 60 minutes
- Watchguard type circuit automatically resets ignition controls after one hour of continuous thermostat demand after unit lockout, eliminating nuisance calls for service
- Jumper settings for single or two stage thermostat operation
- Two selectable 2nd stage recognition times (10 and 15 minutes) are available when the furnace is used with a single stage thermostat
- When used with a two stage thermostat, furnace will only initiate second stage operation with a second stage thermostat demand
- Fan control consists of adjustable blower timed-off delay (60, 90, 120, 180 seconds - factory setting 90 seconds) and fixed blower timed-on delay (30 seconds heating, 2 seconds cooling)
- For air-conditioning applications, blower is automatically energized on thermostat demand for cooling
- Two accessory terminals furnished for additional power supply requirements for 120 volt (less than 1 amp) power humidifiers and powered air cleaners
- A separate 24V accessory terminal is also provided for low voltage accessories

- **Display LED** - Seven segment LED displays alphanumeric information to diagnostics as well as system operation and status
 - Diagnostic codes are held in non-volatile memory, immune from power interruptions
 - Holds up to ten diagnostic codes in order of occurrence for recall on demand

24 Volt Transformer (40VA)

- Furnished and factory installed on outside of control box
- Circuit breaker (furnished) is wired in series

Field Wiring Make-Up Box

- Furnished for line voltage wiring
- Factory installed internally on left side of furnace
- Box may be installed internally on right side of furnace

FEATURES

Optional Accessories

E30 Smart Wi-Fi Thermostat

- Wi-Fi enabled, electronic 7-day, universal, multi-stage, programmable, touchscreen thermostat
- 3 Heat/2 Cool
- Auto-changeover
- Controls dehumidification during cooling mode and humidification during heating mode
- Offers enhanced capabilities including humidification / dehumidification / dewpoint measurement and control, Humiditrol® control, and equipment maintenance reminders
- Easy to read 7 in. color touchscreen (measured diagonally)
- LCD display with backlight shows the current and set temperature, time, inside relative humidity, system status (operating mode and schedules) and outside temperature (optional outdoor sensor required)
- Smooth Setback Recovery starts system early to achieve setpoint at start of program period
- Compressor short-cycle protection (5 minutes)
- Up to four separate schedules are available plus Schedule IQ™
- One-Touch Away Mode - A quick and easy way to set the cooling and heating setpoints while away
- Smart Away™ - Uses geo-fencing technology to determine when the homeowner is within a predetermined distance from the home to operate the system when leaving, away and arriving
- Wi-Fi remote monitoring and adjustment through a home wireless network for desktop PCs, laptops and apps for smartphones or tablets
- Smart home automation compatible with Apple HomeKit™, Amazon Alexa®, Google Assistant and IFTTT
- Service Dashboard features online real-time monitoring of installed Lennox® thermostats
- High Definition Color Display with Subbase, Smart Hub Controller, wallplate (for retrofit installations) furnished for easy installation
- See the Lennox® E30 Smart Wi-Fi Thermostat Product Specifications bulletin for more information

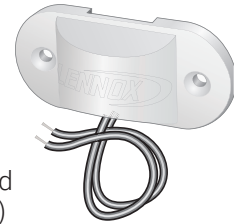


CONTROLS (continued)

Optional Accessories (continued)

Remote Outdoor Temperature Sensor

- Used with Lennox® E30 Smart Thermostat
- When installed outdoors, sensor allows thermostat to display outdoor temperature



NOTE - Sensor is required for Enhanced Dehumidification Control (EDA) applications.

NOTE - The outdoor sensor is furnished as standard with Lennox® Communicating outdoor units, optional for conventional units.

Thermostat

- Thermostat is not furnished with unit
- See Lennox Price Book for selection

Furnace Twinning Panel

- Required to operate two identical furnaces simultaneously from a single thermostat
- For single stage conventional (1 heat/1 cool), multi-stage conventional (2 heat/2 cool) and heat pump (3 heat/2 cool) equipment
- Can be used with common or separate ducted systems
- Contains PC Control Board with terminal strip connections for thermostat and HVAC equipment
- LEDs indicate system operating status
- Uses standard 18-gauge thermostat wire
- Power Supply: 24 VAC, 40VA (transformer not furnished)
- Mounting base with hardware furnished
- Dimensions (H x W x D): 10 x 5 x 2 in.

NOTE - Only identical furnaces should be twinned in order to ensure that both furnace blowers start at the same time. If furnaces are not identical, back draft dampers can be installed in either the supply or return duct.

Up to four identical furnaces can be twinned. Requires two panels that are wired together.

Furnace Twinning Kit

- Required to operate two furnaces simultaneously.
- Kit consists of twinning relays, quick connect terminals and mounting hardware
- Used for two-stage heating/single-stage cooling with either a single-stage or two-stage thermostat

Transformer (75VA)

- Recommended when furnace is used with zoning or defrost thermostats and other 24V accessories requiring a higher VA rating
- Circuit breaker (furnished) is wired in series
- Replaces the standard 40VA transformer

FEATURES

BLOWER

- Direct drive blower
- Statically and dynamically balanced
- Resiliently mounted
- Blower assembly easily removed for servicing

8 Power Saver™ Constant Torque Blower Motor

- DC Brushless Motor
- High Efficiency Constant Torque
- ECM (Electronically Commutated Motor)
- Motor is programmed to provide constant torque at each of the selectable speeds
- Motor is controlled by the Integrated Furnace Control
- Blower speeds are easily changed on the integrated furnace control
- See Blower Data tables

CABINET

- Low-profile, narrow width cabinet allows easy installation in downflow applications
- Heavy-gauge, cold rolled steel construction
- Pre-painted cabinet finish
- Flanges provided on return air opening for ease of plenum connection
- 9** • Insulated with foil faced insulation on sides and back of heating compartment and mat faced insulation in blower compartment
- Sealed blower compartment
- Inner blower compartment access panel seals blower compartment from air leakage
- Cabinet door can be removed without any tools
- Complete service access
- 10** • Safety interlock switch automatically shuts off power to unit when inner blower compartment access panel is removed
- 11** • Gas piping and electrical inlets are provided in both sides of cabinet

Coil Match-Up

- All Lennox downflow indoor coils will physically match the furnace **supply air opening** with the same letter designation (A, B, C, D) as in the furnace model number

Low Leakage Cabinet

- All models have less than 2% air leakage and meet ANSI/ASHRAE Standard 193-2010 "Method of Test for Determining the Air Tightness of HVAC Equipment"

Optional Accessories

Downflow Combustible Flooring Base

- Required for heating only units installed on combustible flooring
- Not required in add-on cooling applications
- See Dimension drawing

FILTER (not furnished)

- Filter and provisions for external mounting must be field provided

Optional Accessories

Downflow Filter Kit

- Filter cabinet mounts directly on top of furnace
- "A" width cabinet includes one filter
- "B" width cabinets include two filters
- Filter rails are furnished
- Front access for servicing
- Cleanable filter(s) are furnished

FEATURES

REFRIGERATION DETECTION SYSTEM (RDS)

Optional Accessories

Refrigerant Detection System (RDS) Coil Sensor Kit

- Complies with UL 60335-2-40 approved standard
- Required for field installation for all systems using R-454B refrigerant if sensor is not furnished with coil
- Consists of Refrigerant Detection System (RDS) sensor, lineset sleeves, mounting brackets and A2L labeling
- Sensor ensures safe operation for systems equipped with R-454B refrigerant
- Sensor will detect any R-454B refrigerant

Refrigerant Detection System (RDS) Blower Control Board Communicating Blower Control Board (Universal)

- Communicating Blower Control Board and Sensor can be used universally with any Lennox® communicating furnace or any non-communicating 24 volt furnace

Non-Communicating Blower Control Board

- Non-Communicating Blower Control Board and Sensor can be used with any non-communicating 24 volt furnace

Standard Features

- Complies with UL 60335-2-40 approved standard
- Required for all systems using R-454B refrigerant
- Connects to the RDS sensor furnished with the RDS Coil Sensor Kit
- Supports up to two RDS Sensors (factory setting)
- Used as an interface between indoor unit and thermostat to control system
- Ensures safe operation for systems equipped with R-454B refrigerant
- If R-454B refrigerant is detected, the refrigerant detection system will stop compressor and/or heating operating and operate the blower to reduce concentrations in the conditioned space
- Once safe levels are reached the HVAC system will resume normal operation
- Multi-color LED for system status and as an aid in troubleshooting
 - Flashing LED codes for system status (Green/Blue) and diagnosing Sensor errors (Red)

- Alarm relay can trigger an external alarm if R-454B refrigerant is detected
- Zone relay opens all zone dampers (if part of a zoning system) if R-454B refrigerant is detected
- Power is disabled to non-communicating thermostats to prevent demand if R-454B refrigerant is detected
- On system start-up blower will run for five minutes and any thermostat demands are disabled
- Dimensions (H x W x D): 7-7/16 x 7-7/16 x 2-1/2 (189 x 189 x 127 mm)

NOTE - See Refrigerant Detection System (RDS) Components Table on page 9.

See the CK40 Indoor Coil Product Specifications bulletins for more information.

Refer to the Installation Instructions for additional information.

SPECIFICATIONS

| Gas Heating Performance | | Model No. | EL280DF070E36A | EL280DF090E48B |
|-------------------------------|--------------------------------------|--|--------------------------------|----------------|
| | | ¹ AFUE | 80% | 80% |
| High Fire | Input - Btuh | | 66,000 | 88,000 |
| | Output - Btuh | | 52,000 | 69,000 |
| | | Temperature rise range - °F | 30 - 60 | 35 - 65 |
| | | Gas Manifold Pressure (in. w.g.) Nat. Gas / LPG/Propane | 3.5 / 10.0 | 3.5 / 10.0 |
| Low Fire | Input - Btuh | | 43,000 | 57,000 |
| | Output - Btuh | | 35,000 | 46,000 |
| | | Temperature rise range - °F | 20 - 50 | 20 - 50 |
| | | Gas Manifold Pressure (in. w.g.) Nat. Gas / LPG/Propane | 1.7 / 4.5 | 1.7 / 4.5 |
| High static - in. w.g. | Heating | | 0.5 | 0.5 |
| | Cooling | | 0.5 | 0.5 |
| Connections in. | Flue connection - in. round | | 4 | 4 |
| | Gas pipe size IPS | | 1/2 | 1/2 |
| Indoor Blower | Wheel nominal diameter x width - in. | | 10 x 8 | 10 x 10 |
| | Motor output - hp | | 1/2 | 3/4 |
| | Tons of add-on cooling | | 1.5 - 3.5 | 3 - 4 |
| | Air Volume Range - cfm | | 400 - 1475 | 780 - 1700 |
| Electrical Data | Voltage | | 120 volts - 60 hertz - 1 phase | |
| | Blower motor full load amps | | 6.1 | 8.2 |
| | Maximum overcurrent protection | | 15 | 15 |
| Shipping Data | lbs. - 1 package | | 123 | 142 |

NOTE - Filters and provisions for mounting are not furnished and must be field provided.

¹ Annual Fuel Utilization Efficiency based on DOE test procedures and according to FTC labeling regulations. Isolated combustion system rating for non-weatherized furnaces.

OPTIONAL ACCESSORIES - ORDER SEPARATELY

| | "A" Width Models | "B" Width Models |
|------------------------------------|------------------------------|------------------|
| CABINET | | |
| Downflow Combustible Flooring Base | 11M59 | 11M60 |
| CONTROLS | | |
| E30 Smart Wi-Fi Thermostat | 20A65 | 20A65 |
| Remote Outdoor Temperature Sensor | X2658 | X2658 |
| Furnace Twinning Panel | Y3653 | Y3653 |
| Furnace Twinning Kit | 16W72 | 16W72 |
| Transformer (75VA) | 27J32 | 27J32 |
| DOWNFLOW FILTER KITS | | |
| Downflow Filter Kit | 51W06 | 51W07 |
| | No. and Size of filter - in. | |
| | (1) 20 x 20 x 1 | (2) 20 x 16 x 1 |

GAS HEAT ACCESSORIES

| Input | High Altitude Pressure Switch Kit | | | Natural Gas to LPG/Propane Kit | LPG/Propane to Natural Gas Kit | Natural Gas High Altitude Orifice Kit | LPG/Propane High Altitude Orifice Kit |
|-------|-----------------------------------|-----------------|-------------------|--------------------------------|--------------------------------|---------------------------------------|---------------------------------------|
| | 0 - 4500 ft. | 4501 - 7500 ft. | 7501 - 10,000 ft. | 0 - 7500 ft. | 0 - 7500 ft. | 7501 - 10,000 ft. | 7501 - 10,000 ft. |
| 070 | No Change | No Change | 73W36 | 11K51 | 77W09 | 73W37 | 11K46 |
| 090 | No Change | No Change | 73W36 | 11K51 | 77W09 | 73W37 | 11K46 |

REFRIGERANT DETECTION SYSTEM (RDS) COMPONENTS

| Description | Order No. | |
|---|--|-------|
| Refrigerant Detection System (RDS) Coil Sensor Kit | 26Z69 | |
| Refrigerant Detection System (RDS) Blower Control Board | Any Lennox® Communicating Furnace or any Non-Communicating 24V Furnace (Universal) | 27A03 |
| | Any Non-Communicating 24V Furnace | 27A02 |

NOTE - Communicating Blower Control Board and Sensor can be used universally with Lennox® communicating furnace or any non-communicating 24 volt furnace. Non-Communicating Blower Control Board and Sensor can be used with any non-communicating 24 volt furnace.

HIGH ALTITUDE DERATE

NOTE - Units may be installed at altitudes up to 4500 ft. above sea level without any modifications.

At altitudes above 4500 ft. units must be derated to match information in the shaded area shown below.

NOTE - This is the only permissible derate for these units.

| Input | Gas Manifold Pressure (Outlet) in. w.g. | | | | | | | | | | | |
|-------|---|----------|-------------|----------|------------------|----------|-------------|----------|--------------------------|----------|-------------|----------|
| | 0 - 4500 Feet | | | | 4501 - 7500 Feet | | | | 7501 - 10,000 ft. | | | |
| | Natural Gas | | LPG/Propane | | Natural Gas | | LPG/Propane | | ¹ Natural Gas | | LPG/Propane | |
| | High Fire | Low Fire | High Fire | Low Fire | High Fire | Low Fire | High Fire | Low Fire | High Fire | Low Fire | High Fire | Low Fire |
| 070 | 3.5 | 1.7 | 10 | 4.5 | 3.2 | 1.5 | 10 | 4.5 | 3.5 | 1.7 | 10 | 4.5 |
| 090 | 3.5 | 1.7 | 10 | 4.5 | 3.0 | 1.5 | 10 | 4.5 | 3.5 | 1.7 | 10 | 4.5 |

¹ Natural Gas High Altitude Orifice Kit required.

INSTALLATION CLEARANCES

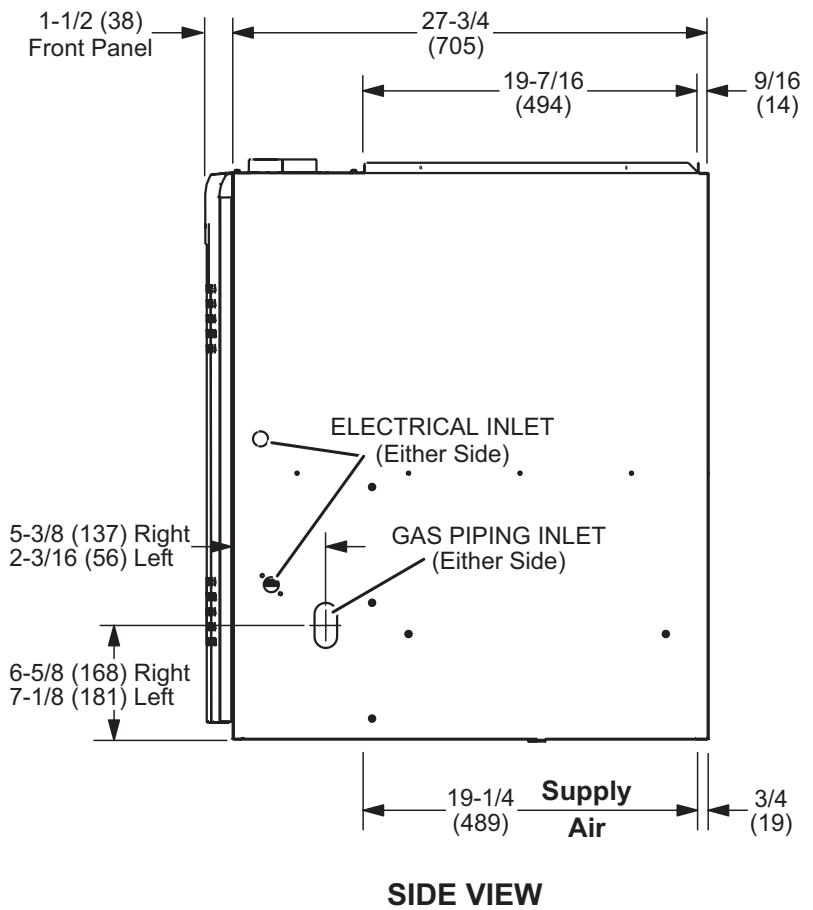
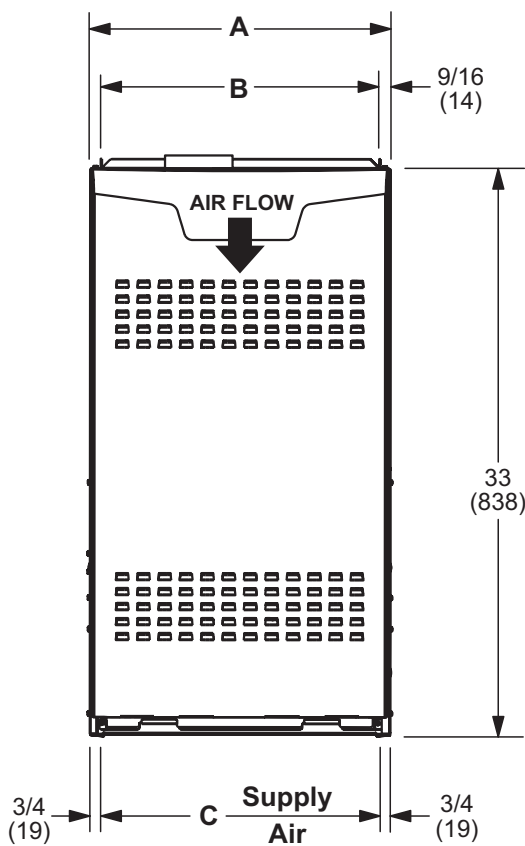
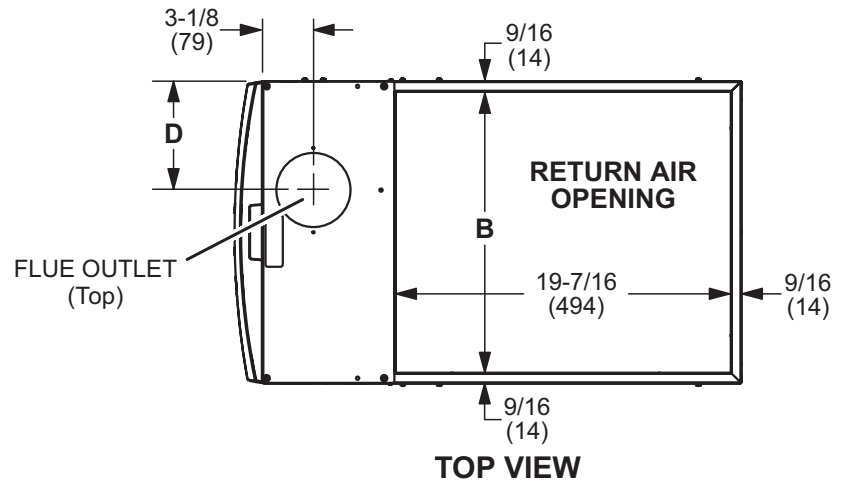
| Vent Type | Type B1 | Type C |
|-----------------|--------------------------|------------------------------|
| Sides | 0 inches (0 mm) | ¹ 0 inches (0 mm) |
| Rear | 0 inches (0 mm) | 0 inches (0 mm) |
| Top | 1 inch (25 mm) | 1 inch (25 mm) |
| Front | 2-1/4 inches (57 mm) | 2-1/4 inches (57 mm) |
| Front (alcove) | 24 inches (610 mm) | 24 inches (610 mm) |
| Front (service) | 24 inches (610 mm) | 24 inches (610 mm) |
| Floor | ² Combustible | ² Combustible |
| Flue | 1 inch (25 mm) | 6 inches (152 mm) |

NOTE - Air for combustion must conform to the methods outlined in the National Fuel Gas Code (NFPA 54/ANSI-Z223.1).

NOTE - In the U.S. flue sizing must conform to the methods outlined in the current National Fuel Gas Code (NFPA 54/ANSI-Z223.1) or applicable provisions of local building codes.

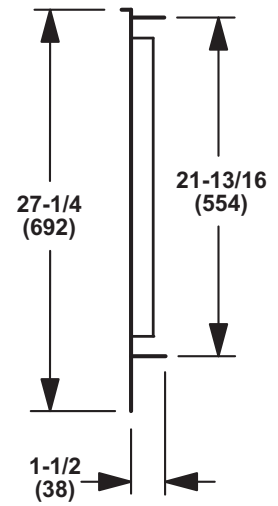
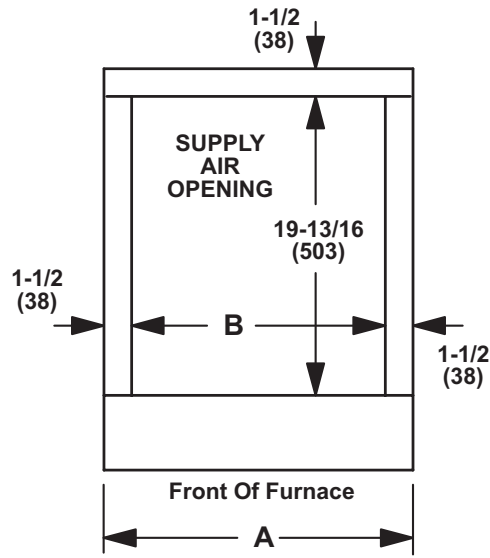
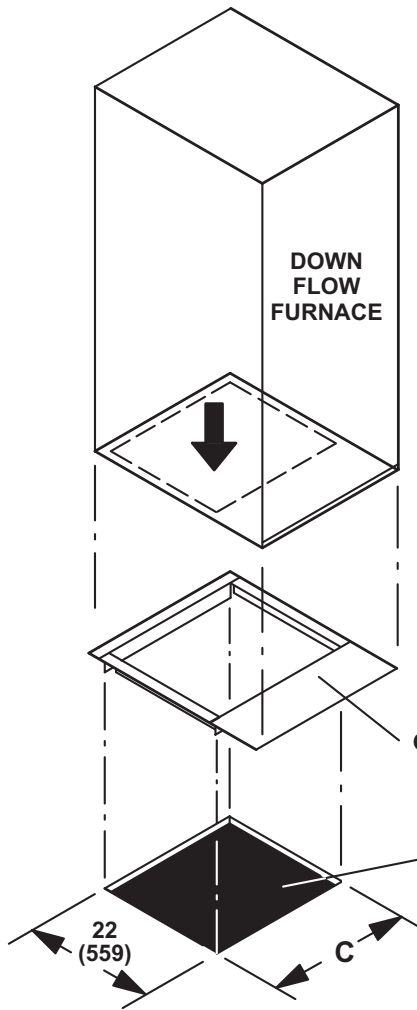
¹ Left side requires 4 in. clearance if single wall vent is used on 14-1/2 in. "A" width cabinets, and 2 in. clearance on 17-1/2 in. "B" width cabinets.

² Clearance for installation on combustible floor if optional Downflow Combustible Flooring Base is installed between furnace and combustible floor. Not required in add-on cooling applications if installed in accordance with local codes or National Fuel Gas Code ANSI-Z223.1.



| Model No. | A | | B | | C | | D | |
|----------------|--------|-----|--------|-----|-----|-----|-------|-----|
| | in. | mm | in. | mm | in. | mm | in. | mm |
| EL280DF070E36A | 14-1/2 | 368 | 13-3/8 | 340 | 13 | 330 | 4-3/4 | 121 |
| EL280DF090E48B | 17-1/2 | 446 | 16-3/8 | 416 | 16 | 406 | 6-1/4 | 159 |

DOWNFLOW COMBUSTIBLE FLOORING BASE



TOP VIEW

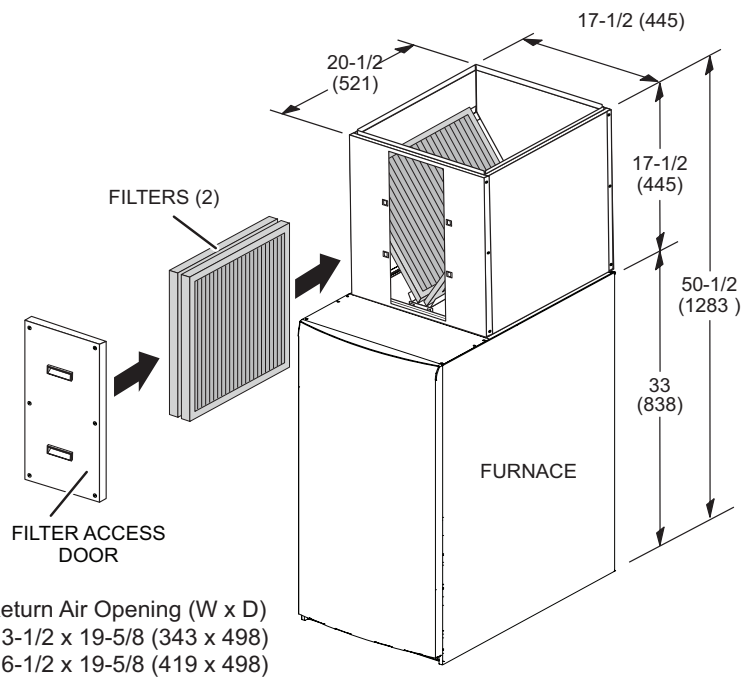
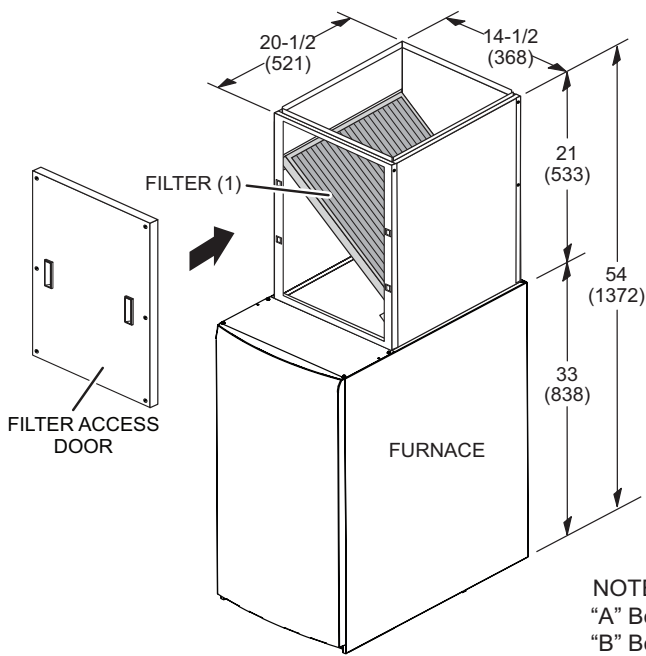
SIDE VIEW

| Cabinet Width | Catalog Number | A | | B | | C | |
|---------------|----------------|---------|-----|---------|-----|--------|-----|
| | | in. | mm | in. | mm | in. | mm |
| A | 11M59 | 16-9/16 | 421 | 13-9/16 | 344 | 15-3/4 | 400 |
| B | 11M60 | 19-9/16 | 497 | 16-9/16 | 421 | 18-3/4 | 476 |

DOWNFLOW FILTER CABINET

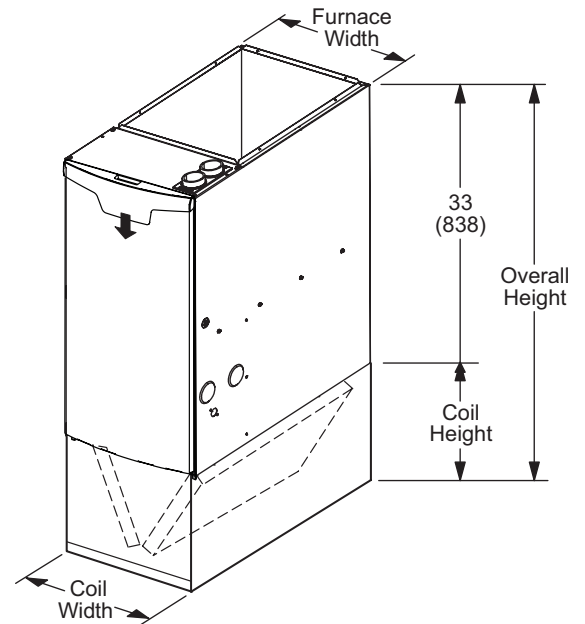
**“A” WIDTH FURNACES
(Single Filter)**

**“B” WIDTH FURNACES
(Two Filters)**



NOTE: Return Air Opening (W x D)
 “A” Box 13-1/2 x 19-5/8 (343 x 498)
 “B” Box 16-1/2 x 19-5/8 (419 x 498)

| Model | | Coil/Furnace Width | | Coil Height | | Overall Height | |
|---------------|--------------|--------------------|-----|-------------|-----|----------------|------|
| | CRX35 | in. | mm | in. | mm | in. | mm |
| CK40DT | CRX35 | | | | | | |
| CK40DT-24A | CRX35-24A | 14-1/2 | 368 | 18 | 457 | 51 | 1295 |
| CK40DT-24B | CRX35-24B | 17-1/2 | 445 | 18 | 457 | 51 | 1295 |
| CK40DT-30/36B | CRX35-30/36B | 17-1/2 | 445 | 23-1/2 | 597 | 56-1/2 | 1435 |
| CK40DT-42B | CRX35-42B | 17-1/2 | 445 | 23-1/2 | 597 | 56-1/2 | 1435 |



BLOWER DATA

EL280DF070E36A PERFORMANCE (Less Filter)

| External Static Pressure in. w.g. | Air Volume / Watts at Various Blower Speeds | | | | | | | | | |
|--------------------------------------|---|-------|------------------------|-------|------------------|-------|------------------------|-------|--------------|-------|
| | High (Black) | | Medium-High (Brown) | | Medium (Blue) | | Medium-Low (Yellow) | | Low (Red) | |
| | cfm | Watts | cfm | Watts | cfm | Watts | cfm | Watts | cfm | Watts |
| 0.00 | 1484 | 336 | 1347 | 262 | 1211 | 194 | 995 | 111 | 803 | 74 |
| 0.10 | 1439 | 351 | 1322 | 273 | 1178 | 201 | 950 | 113 | 768 | 75 |
| 0.20 | 1393 | 367 | 1296 | 285 | 1145 | 209 | 905 | 116 | 734 | 76 |
| 0.30 | 1380 | 371 | 1256 | 291 | 1113 | 215 | 860 | 123 | 680 | 83 |
| 0.40 | 1353 | 382 | 1231 | 301 | 1081 | 222 | 823 | 131 | 634 | 87 |
| 0.50 | 1320 | 388 | 1197 | 309 | 1046 | 230 | 781 | 135 | 576 | 93 |
| 0.60 | 1298 | 398 | 1174 | 315 | 1011 | 237 | 731 | 143 | 525 | 99 |
| 0.70 | 1255 | 405 | 1138 | 324 | 977 | 246 | 694 | 145 | 470 | 101 |
| 0.80 | 1191 | 368 | 1105 | 331 | 939 | 252 | 647 | 152 | 404 | 106 |
| 0.90 | 1060 | 351 | 1079 | 341 | 900 | 259 | 591 | 159 | 355 | 114 |
| 1.00 | 908 | 326 | 999 | 317 | 880 | 263 | 545 | 163 | 308 | 114 |

EL280DF090E48B PERFORMANCE (Less Filter)

| External Static Pressure in. w.g. | Air Volume / Watts at Various Blower Speeds | | | | | | | | | |
|--------------------------------------|---|-------|------------------------|-------|------------------|-------|------------------------|-------|--------------|-------|
| | High (Black) | | Medium-High (Brown) | | Medium (Blue) | | Medium-Low (Yellow) | | Low (Red) | |
| | cfm | Watts | cfm | Watts | cfm | Watts | cfm | Watts | cfm | Watts |
| 0.10 | 1763 | 393 | 1575 | 277 | 1450 | 220 | 1367 | 186 | 1260 | 143 |
| 0.20 | 1735 | 410 | 1537 | 288 | 1407 | 231 | 1322 | 196 | 1207 | 153 |
| 0.30 | 1707 | 427 | 1498 | 299 | 1365 | 241 | 1277 | 206 | 1154 | 162 |
| 0.40 | 1656 | 439 | 1446 | 309 | 1316 | 251 | 1225 | 215 | 1091 | 171 |
| 0.50 | 1617 | 449 | 1400 | 323 | 1273 | 260 | 1185 | 225 | 1044 | 180 |
| 0.60 | 1586 | 460 | 1352 | 332 | 1221 | 271 | 1133 | 232 | 989 | 186 |
| 0.70 | 1542 | 473 | 1315 | 345 | 1181 | 280 | 1078 | 243 | 928 | 196 |
| 0.80 | 1461 | 448 | 1273 | 354 | 1134 | 287 | 1037 | 253 | 886 | 202 |
| 0.90 | 1320 | 347 | 1228 | 364 | 1092 | 298 | 981 | 261 | 824 | 213 |
| 1.00 | 1083 | 309 | 1165 | 363 | 1034 | 309 | 926 | 269 | 746 | 220 |

REVISIONS

| Sections | Description of Change |
|----------------------|--|
| Gas Heat Accessories | Updated High Altitude Pressure Switch Kit usage. |



Visit us at www.lennox.com

For the latest technical information, www.LennoxPros.com

Contact us at 1-800-4-LENNOX

NOTE - Due to Lennox' ongoing commitment to quality, Specifications, Ratings and Dimensions subject to change without notice and without incurring liability. Improper installation, adjustment, alteration, service or maintenance can cause property damage or personal injury. Installation and service must be performed by a qualified installer and servicing agency.

©2024 Lennox Industries, Inc.