



SUBMITTAL DATA – WALL-MOUNTED MCB009S4S-1P - MWCB009S4-2P SINGLE ZONE MINI-SPLIT AIR CONDITIONER

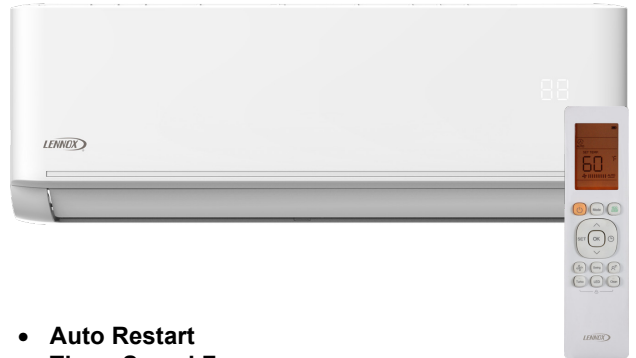
Job: _____
 Location: _____
 Schedule No.: _____
 System Designation: _____

Engineer: _____
 Architect: _____
 Date: _____
 For: Reference Approval Review Construction

FEATURES

Outdoor Unit: MCB009S4S-1P

Indoor Unit: MWCB009S4-2P



- Cooling Only System
- DC Inverter Control
- Compressor Overcurrent Protection

- Auto Restart
- Three Speed Fan
- Flare Connections
- LED Readout
- Multi-Refrigerant Outlet
- Wireless Remote Included

PIPING

| Line Set and Elevation Guidelines | |
|--|---------|
| Maximum Line Set Length ft. (m) | 82 (25) |
| Maximum Elevation - Outdoor Unit Below/Above Indoor Unit ft. (m) | 33 (10) |
| Liquid Line Set Diameter (in.) | 1/4 |
| Gas Line Set Diameter (in.) | 3/8 |
| Pre-Charged (ft.) | 25 |
| Additional Charge Per Ft. (oz.) | 0.16 |

PRODUCT WARRANTY

Compressor – Five year limited warranty
 All other covered components - Five year limited warranty

OPTIONAL ACCESSORIES

Non-Programmable Controller (M0STAT61Q-1)
 Non-Programmable Controller (M0STAT120L-1)
 Programmable Controller (M0STAT120N-1)
 Hail Guard Set (M9GARD24Q-1/24S70)



NOTE – Due to Lennox' ongoing commitment to quality, Specifications, Ratings, and Dimensions are subject to change without notice and without incurring liability. Improper installation, adjustment, alteration, service or maintenance can cause property damage or personal injury. Installation and service must be performed by a qualified installer and servicing agency.



SUBMITTAL DATA – WALL-MOUNTED MCB009S4S-1P - MWCB009S4-2P SINGLE ZONE MINI-SPLIT AIR CONDITIONER

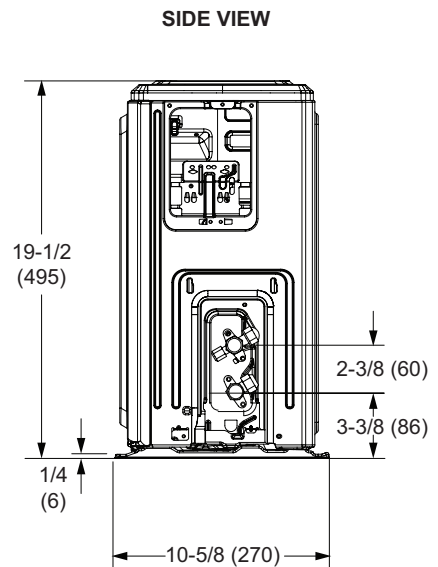
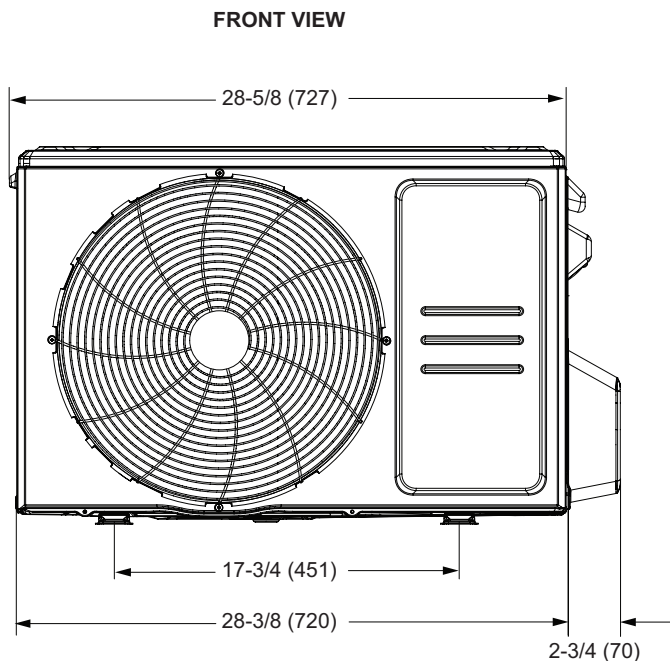
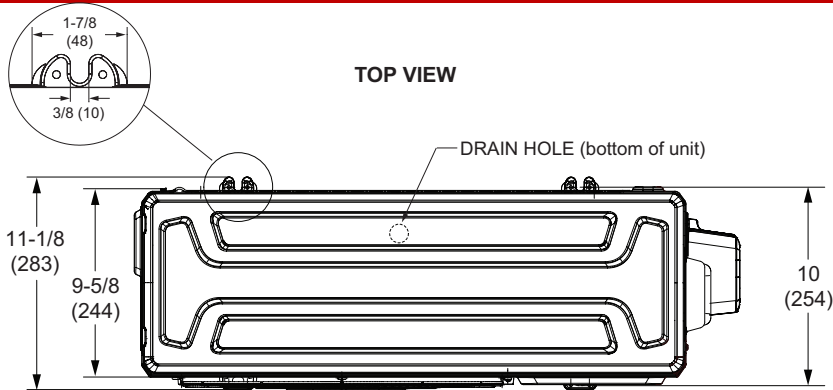
OUTDOOR SPECIFICATIONS

| PERFORMANCE | |
|---------------------------------------|--------------|
| Cooling Capacity (Btu/h) ¹ | 9,000 |
| EER2 | 12.50 |
| SEER2 | 20.5 |
| Outdoor Fan Total Air Volume (CFM) | 1,059 |
| Ambient Temperature Operating Range | |
| Cooling | 5°F - 122°F |
| ELECTRICAL DATA | |
| Power Supply (V/Hz/Φ) | 208-230/60/1 |
| Minimum Circuit Ampacity (A) | 11 |
| Maximum Overcurrent Protection (A) | 15 |
| Outdoor Fan Motor RLA (A) | 0.4 |
| No. of Compressors | 1 |

| GENERAL DATA | |
|----------------------------|--------------|
| Connection Ratio (%) | 100% |
| Max. # of Indoor Units | 1 unit |
| Sound Data (dBA) - Cooling | 53.5 |
| Refrigerant type | R-410A |
| Factory refrigerant charge | 1 lbs. 5 oz. |
| DIMENSIONS | |
| Unit Dimensions (in) | |
| Height | 19-1/2 |
| Width | 31-3/8 |
| Depth | 10 |
| Shipping Weight (lb) | 51 |
| Net Weight (lb) | 48 |
| NOTES | |

1. Cooling and Heating Capacity data is rated at the following conditions:
 Cooling: 80°FDB / 67°FWB Indoor, 95°FDB Outdoor
 Heating: 70°FDB Indoor, 47°FDB / 43°FWB Outdoor

OUTDOOR DIMENSIONAL DRAWINGS - INCHES (MM)



NOTE – Due to Lennox' ongoing commitment to quality, Specifications, Ratings, and Dimensions are subject to change without notice and without incurring liability. Improper installation, adjustment, alteration, service or maintenance can cause property damage or personal injury. Installation and service must be performed by a qualified installer and servicing agency.
 496044 (202312) ©2023 Lennox Industries, Inc.



**SUBMITTAL DATA – WALL-MOUNTED
MCB009S4S-1P - MWCB009S4-2P
SINGLE ZONE MINI-SPLIT AIR CONDITIONER**

INDOOR SPECIFICATIONS

PERFORMANCE

| | | |
|----------------------|--------|------|
| Airflow (CFM) | High | 246 |
| | Medium | 205 |
| | Low | 147 |
| Sound Pressure (dBA) | High | 35 |
| | Medium | 31 |
| | Low | 22.5 |

ELECTRICAL DATA

| | |
|-----------------------|-----------------|
| Power Supply (V/Hz/Φ) | Supplied by ODU |
| Rated load amps (RLA) | 3.13 |
| Power Output (W) | 13 |

DIMENSIONS

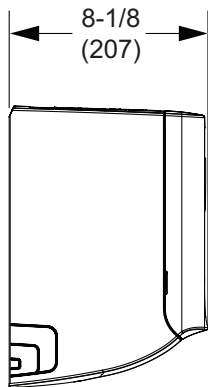
| | | |
|----------------------|--------|--------|
| Unit Dimensions (in) | Height | 11-1/2 |
| | Width | 28-3/4 |
| | Depth | 8-1/8 |

| | |
|-------------------------------|-------|
| Unit Net/Shipping Weight (lb) | 18/23 |
|-------------------------------|-------|

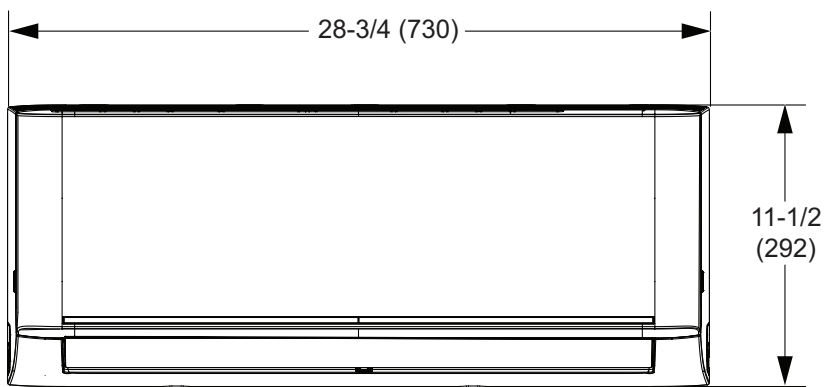
PIPING

| | |
|-----------------------------|-----------|
| Liquid/Gas O.D. Flare (in.) | 1/4 , 3/8 |
| Drain Connection O.D. (in.) | 1 |

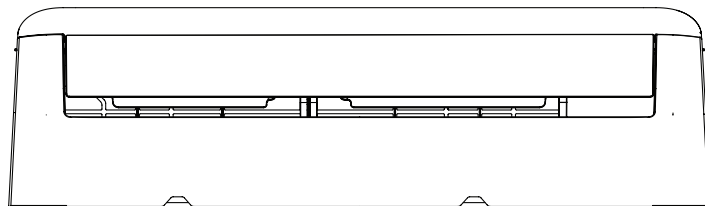
INDOOR DIMENSIONAL DRAWINGS - INCHES (MM)



SIDE VIEW



FRONT VIEW



BOTTOM VIEW

NOTE – Due to Lennox' ongoing commitment to quality, Specifications, Ratings, and Dimensions are subject to change without notice and without incurring liability. Improper installation, adjustment, alteration, service or maintenance can cause property damage or personal injury. Installation and service must be performed by a qualified installer and servicing agency.