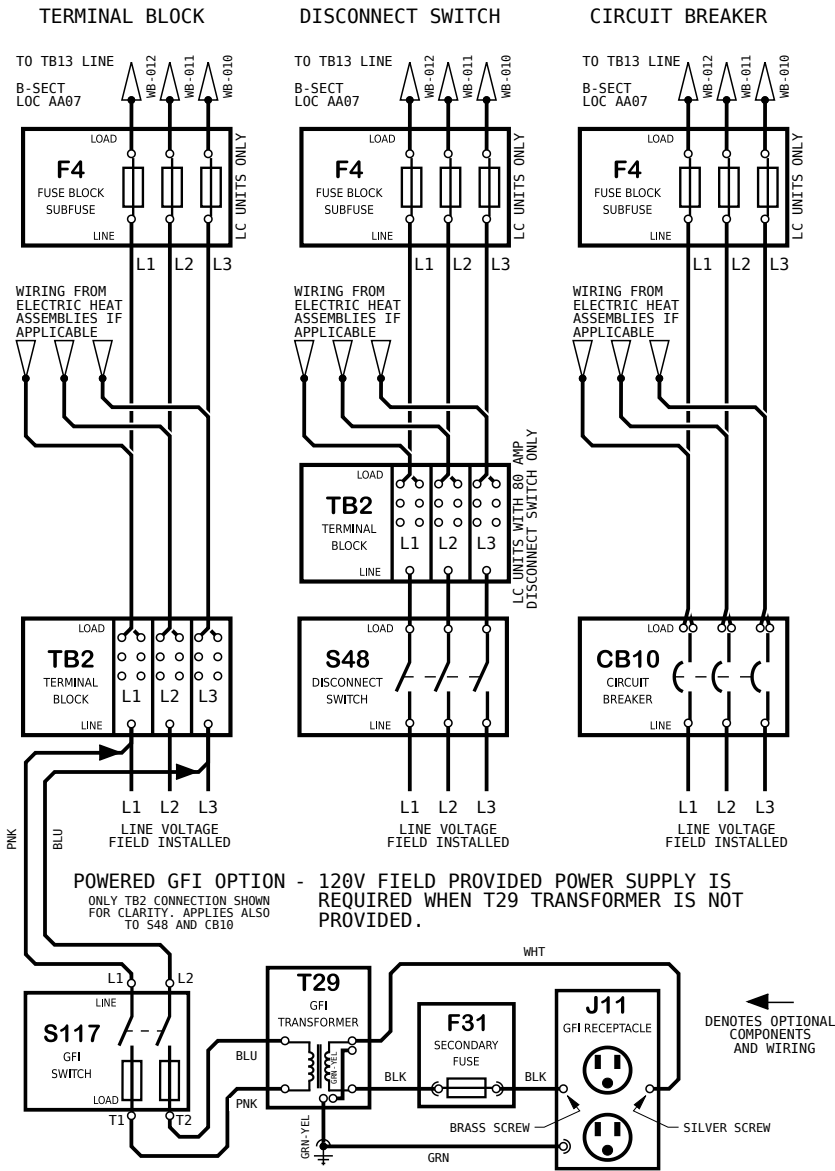
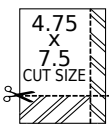


-----POWER ENTRY OPTIONS-----

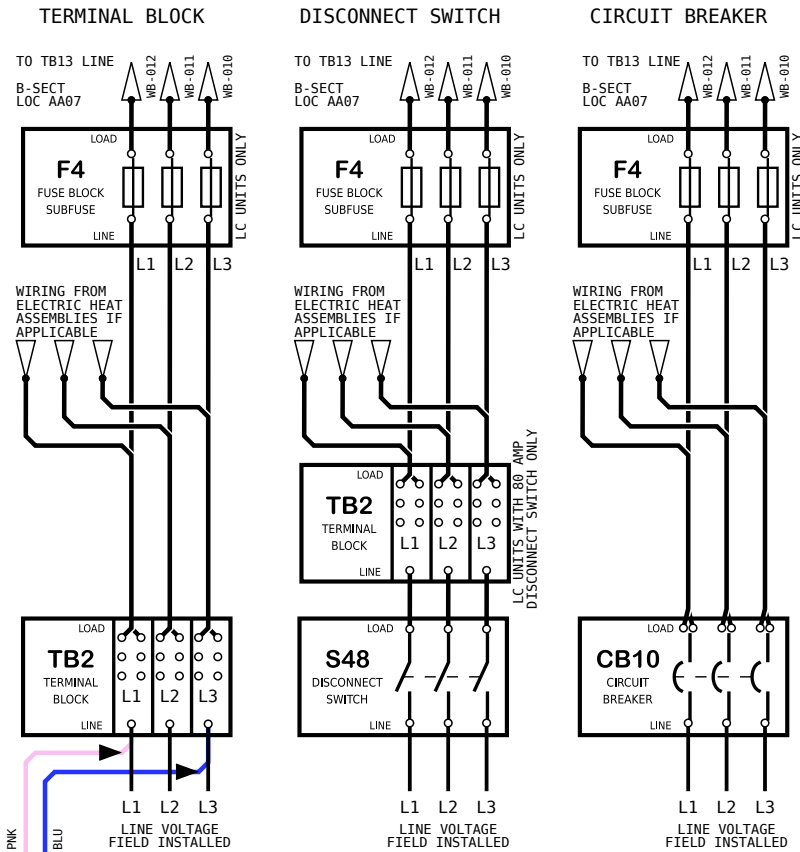


Model: LC, LG, LH, LD Series RTU
Power Entry Options, 156 - 300
Voltage: All Voltages
Supersedes: N/A Form No: **538103-01** Rev: 1

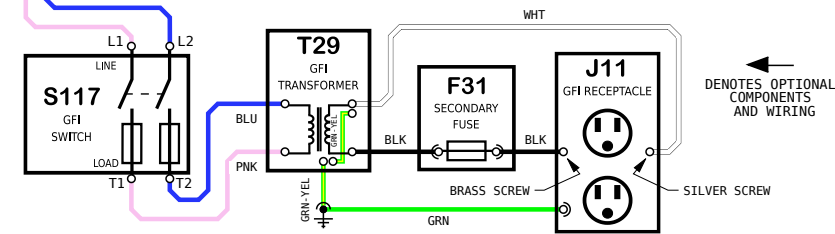


REV	EC NO.	DATE	BY	APVD	REVISION NOTE
---	CN-008993P	01-26-2021	MXR6	JAL21	ORIGINATED AT PD&R CARROLLTON, TX
001	CN-010356B	03-24-2022	MXR6	JAL21	UPDATED APPLICABLE MODEL NUMBERS.

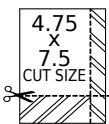
-----POWER ENTRY OPTIONS-----



POWERED GFI OPTION - 120V FIELD PROVIDED POWER SUPPLY IS REQUIRED WHEN T29 TRANSFORMER IS NOT PROVIDED.
ONLY TB2 CONNECTION SHOWN FOR CLARITY. APPLIES ALSO TO S48 AND CB10



Model: LC, LG, LH, LD Series RTU
Power Entry Options, 156 - 300
Voltage: All Voltages
Supersedes: N/A Form No: **538103-01** Rev: 1



REV	EC NO.	DATE	BY	APVD	REVISION NOTE
---	CN-008993P	01-26-2021	MXR6	JAL21	ORIGINATED AT PD&R CARROLLTON, TX
001	CN-010356B	03-24-2022	MXR6	JAL21	UPDATED APPLICABLE MODEL NUMBERS.