



# INSTALLATION INSTRUCTIONS FOR DISCHARGE NOZZLES

UNPACK ASSEMBLY AND VERIFY THAT ALL COMPONENTS ARE INCLUDED:

QTY	ITEM
1	NOZZLE ASSEMBLY
1	HARDWARE BAG (#8-1/2" SCREWS)

## IMPORTANT

BEFORE PROCEEDING WITH INSTALLATION, READ THESE INSTRUCTIONS AND THE INSTRUCTIONS PROVIDED WITH THE UNIT HEATER.

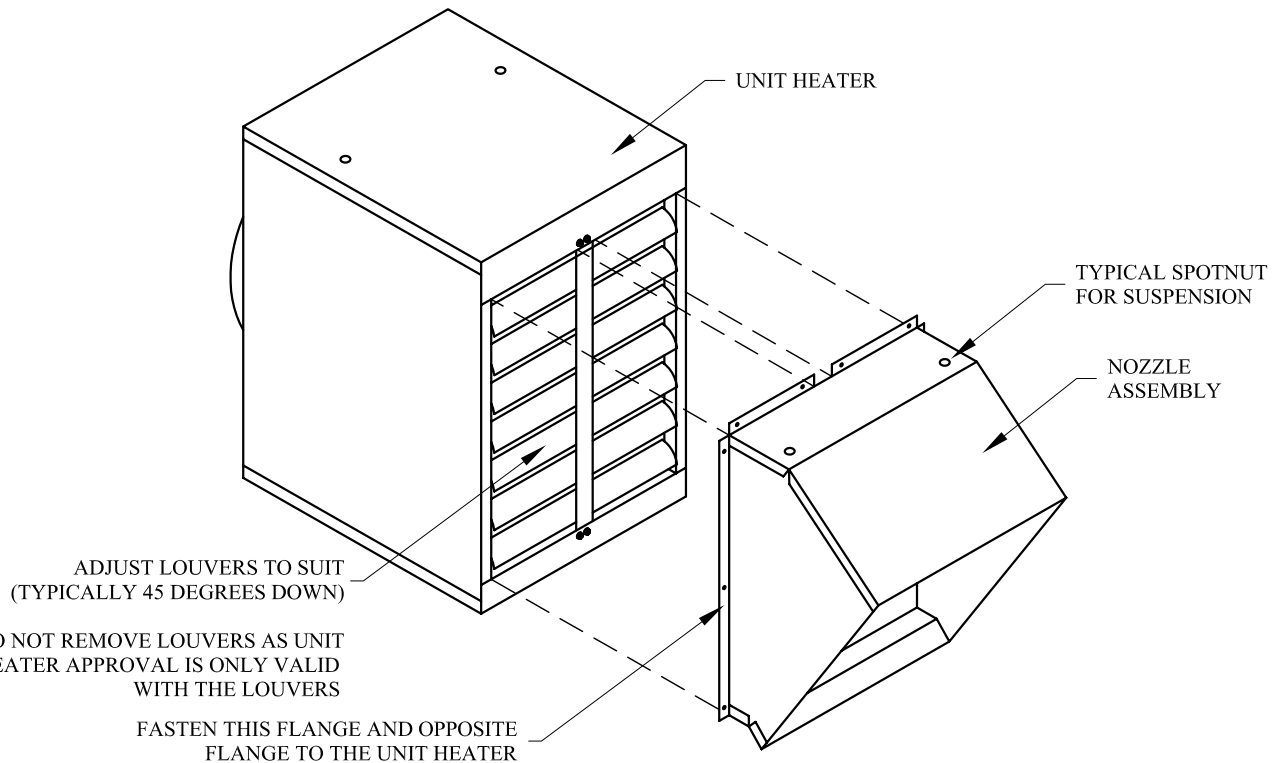
IT IS RECOMMENDED THAT THE NOZZLE ASSEMBLY BE ATTACHED TO THE UNIT HEATER BEFORE SUSPENDING.

1. ADJUST THE ADJUSTABLE LOUVERS TO AN ANGLE THAT BEST SUITS THE NOZZLE. TYPICALLY A 45 DEGREE ANGLE DOWN WILL BE ADEQUATE.

2. POSITION THE NOZZLE ASSEMBLY OVER THE LOUVER END OF THE UNIT HEATER AND FASTEN THE SIDE FLANGES TO THE UNIT HEATER. PRE-PUNCHED HOLES MAY OR MAY NOT BE PROVIDED ON THE NOZZLE FLANGES. REFER TO FIG. 1.

3. PROCEED TO SUSPEND USING THE 3/8-16 SPOTNUTS PROVIDED ON TOP OF THE NOZZLE ASSEMBLY. REFER TO INSTALLATION INSTRUCTION PROVIDED WITH THE UNIT HEATER.

FIG. 1



5000372

APR.,24 / 2019