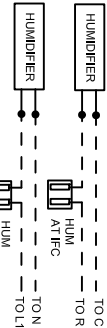


BLOWER SPEED CHART		
UNIT	FACTORY SHIPPED SETTINGS	SECONDARY LIMITS
HEAT	COOL	ADJUST
COOL	ADJUST	LIMITS
HEAT	ADJUST	LIMITS
COOL	ADJUST	LIMITS

Character on /- segment, LED (w/dn ON)	Furnace Model	Circulator Motor Size
3	045XV28B	1/2 HP
8	070XV45B	3/4 HP
U	110XV60C	1 HP

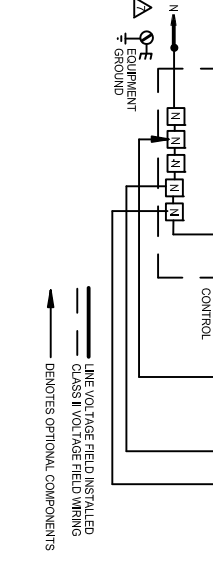
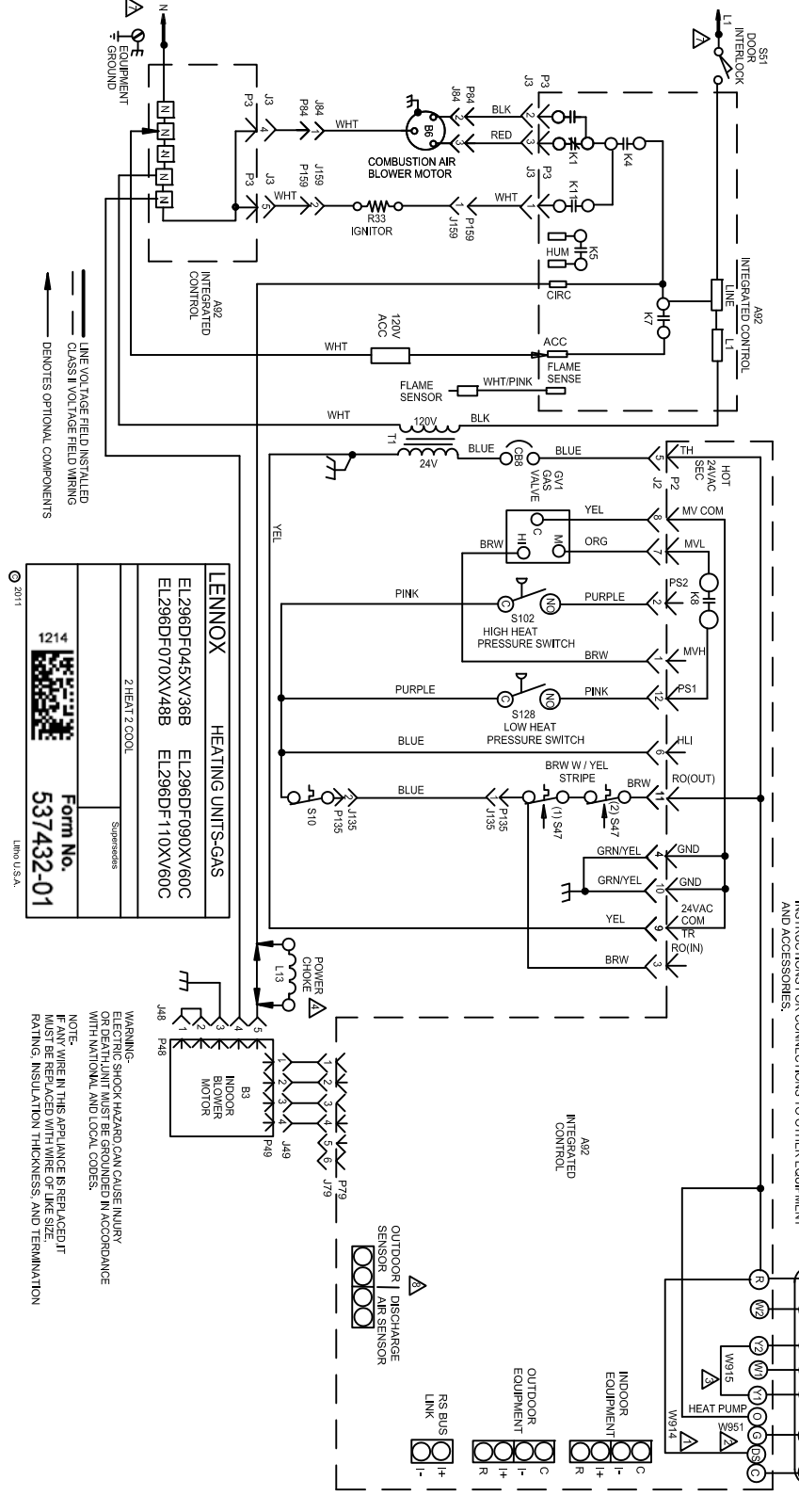


- ▲ CIP SWITCH FACTORY DEFAULT IS FOR A TWO STAGE THERMOSTAT
- ▲ FIELD SUPPLIED ACC WIRE
- ▲ USE COPPER CONDUCTORS ONLY
- ▲ DISCHARGE AND OUTDOOR AIR TERMINALS ARE FOR ICOMB USE ONLY
- ▲ THERMOSTAT CONNECTIONS ARE FOR NON-COMMUNICATING SYSTEM ONLY. REFER TO ICOMB INSTALLATION INSTRUCTIONS FOR COMMUNICATING SYSTEMS.
- ▲ DH AND L1 TERMINALS ARE ONLY USED WITH ICOMB THERMOSTAT
- ▲ CUT W914 JUMPER LABELED "DEHUM OR HARMONY" FROM DS TO R AT A92 CONTROL BOARD. WHEN USED WITH ComSense 7000 THERMOSTAT
- ▲ CUT W951 JUMPER FROM O TO R LABELED "HEAT PUMP" AT A92 CONTROL BOARD. WHEN USED FOR DUAL FUEL APPLICATIONS
- ▲ JUMPER W915 FROM Y1 TO Y2 IS FACTORY INSTALLED AT A92 CONTROL BOARD. LEAVE IN FOR ONE STAGE COOL THERMOSTAT. CUT JUMPER Y1 TO Y2 FOR TWO STAGE COOL THERMOSTAT.
- ▲ L13 USED ON 3/4 AND 1 HP ONLY
- ▲ THERMOSTAT HEAT ANTICIPATION SETTING
 

45 AMP	HOEWEEL VALVE
43 AMP	WHITE RODGERS VALVE

NOTE: SEE INSTALLATION INSTRUCTIONS FOR PROCEDURE TO SET CORRECT BLOWER SPEED FOR SPECIFIC COOLING TONNAGE BEING APPLIED, AND HEATING TEMPERATURE RISE REQUIRED.

TYPICAL SYSTEM SHOWN FOR 2 HEAT/2 COOL WITH A CONVENTIONAL THERMOSTAT. SEE INSTALLATION INSTRUCTIONS FOR CONNECTIONS TO OTHER EQUIPMENT AND ACCESSORIES.



LENNOX HEATING UNITS-GAS	
EL296DF045XV38B	EL296DF090XV60C
EL296DF070XV48B	EL296DF110XV60C
2 HEAT 2 COOL	
Superside	

Form No. 537432-01  
 © 2011 Lennox  
 LITHO U.S.A.

WARNING-  
 ELECTRIC SHOCK HAZARD CAN CAUSE INJURY OR DEATH. UNIT MUST BE GROUNDED IN ACCORDANCE WITH NATIONAL AND LOCAL CODES.  
 NOTE-  
 IF ANY WIRE IN THIS APPLICATION IS REPLACED IT MUST BE REPLACED WITH WIRE OF LIKE SIZE, RATING, INSULATION THICKNESS, AND TERMINATION