

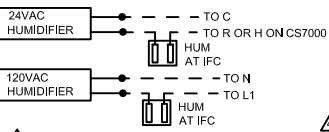
UNIT	HI COOL	LOW COOL	HIGH HEAT	LOW HEAT	PARK
UH045XE36B	BLACK	BROWN	BLUE	YELLOW	RED
UH070XE36B	BLACK	BROWN	BLUE	YELLOW	RED
UH090XE48C	BLACK	BLUE	BROWN	YELLOW	RED
UH110XE60C	BLACK	BLUE	BROWN	RED	YELLOW
UH135XE60D	BLACK	BROWN	BLUE	RED	YELLOW

← BLOWER SPEED SELECTION →

SPEED TAPS	BLACK	BROWN	BLUE	YELLOW	RED
HI					
LOW					

JACKPLUG CHART

J.P48	JACK/PLUG-INDOOR BLOWER-POWER
J.P49	JACK/PLUG-INDOOR BLOWER-SPD TAP
J.P2	JACK/PLUG-BURNER CONTROL
J.P84	JACK/PLUG-COMB AIR INDUCER
J.P3	JACK/PLUG-INDUCER/IGNITER
J.P159	JACK/PLUG-IGNITION



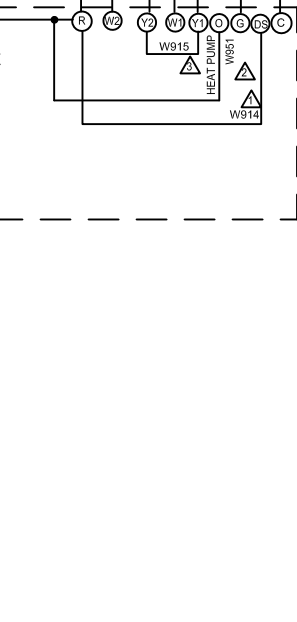
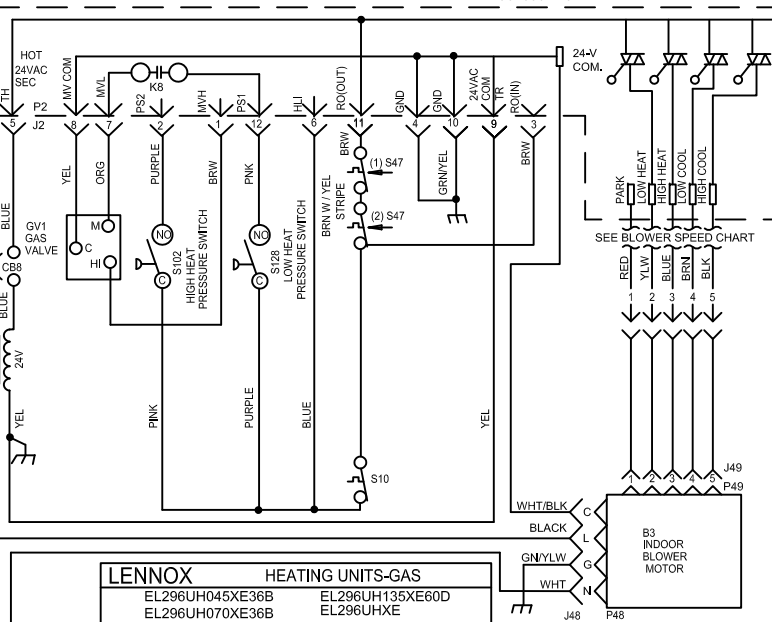
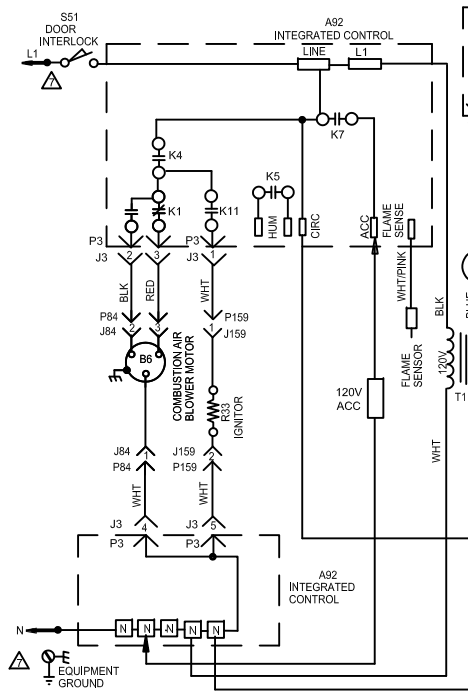
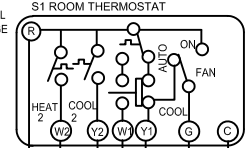
- ⚠ L13 USED ON 3/4 AND 1 HP ONLY
- ⚠ DIP SWITCH FACTORY DEFAULT IS FOR A TWO STAGE THERMOSTAT
- ⚠ FIELD SUPPLIED ACC WIRE
- ⚠ USE COPPER CONDUCTORS ONLY
- ⚠ DH AND L TERMINALS ARE NOT USED.
- ⚠ DO NOT USE RED SPEED TAP FOR HIGH HEAT ON ALL MODELS. DO NOT USE YELLOW SPEED TAP FOR HIGH HEAT ON 070XE36B OR 090XE48C MODELS.

THERMOSTAT HEAT ANTICIPATION SETTING

.85 AMP	HONEYWELL VALVE
.43 AMP	WHITE RODGERS VALVE

NOTE: SEE INSTALLATION INSTRUCTIONS FOR PROCEDURE TO SET CORRECT BLOWER SPEED FOR SPECIFIC COOLING TONNAGE BEING APPLIED, AND HEATING TEMPERATURE RISE DESIRED.

TYPICAL SYSTEM SHOWN FOR 2 HEAT/2 COOL WITH A CONVENTIONAL THERMOSTAT. SEE INSTALLATION INSTRUCTIONS FOR CONNECTIONS TO OTHER EQUIPMENT AND ACCESSORIES.




LENNOX HEATING UNITS-GAS

EL296UH045XE36B	EL296UH135XE60D
EL296UH070XE36B	EL296UHXE
EL296UH090XE48C	
EL296UH110XE60C	

2 HEAT 2 COOL

Supersedes

0619  **Form No. 537578-02**

WARNING- ELECTRIC SHOCK HAZARD CAN CAUSE INJURY OR DEATH. UNIT MUST BE GROUNDED IN ACCORDANCE WITH NATIONAL AND LOCAL CODES.

NOTE- IF ANY WIRE IN THIS APPLIANCE IS REPLACED, IT MUST BE REPLACED WITH WIRE OF LIKE SIZE, RATING, INSULATION THICKNESS, AND TERMINATION

— LINE VOLTAGE FIELD INSTALLED
 - - - CLASS II VOLTAGE FIELD WIRING
 ← DENOTES OPTIONAL COMPONENTS