



SUBMITTAL DATA – WALL MOUNTED

MPC012S4S-1L – MWMC012S4-1L

SINGLE ZONE MINI-SPLIT HEAT PUMP

Job: _____
 Location: _____
 Schedule No.: _____
 System Designation: _____

Engineer: _____
 Architect: _____
 Date: _____
 For: Reference Approval Review Construction

FEATURES

Outdoor Unit: MPC012S4S-1L



- DC Inverter Control
- Compressor Overcurrent Protection
- Base Dancer
- Defrost Control

Indoor Unit: MWMC012S4-1L



- Pre-Heat Function
- Auto Restart
- Three Selectable Fan Speeds
- Flare Connections
- LED Readout
- Multi-Refrigerant Outlet
- Wireless Remote Included

PIPING

Line Set and Elevation Guidelines

Maximum Line Set Length ft. (m)	30 (9.1)
Maximum Elevation - Outdoor Unit Below/Above Indoor Unit ft. (m)	10 (3.0)
Liquid Line Set Diameter (in.)	1/4
Gas Line Set Diameter (in.)	1/2
Pre-Charged (ft.)	25
Additional Charge of Refrigerant (oz/ft.)	0.16

PRODUCT WARRANTY

Compressor – Twelve year limited warranty*
 All other covered components - Twelve year limited warranty*
 *Product registration required

OPTIONAL ACCESSORIES

Non-Programmable Controller (M0STAT61Q-1)
 Non-Programmable Controller (M0STAT120L-1)
 Programmable Controller (M0STAT64Q-2)
 Hail Guard Set (M9GARD20Q-1)



NOTE – Due to Lennox' ongoing commitment to quality, Specifications, Ratings, and Dimensions are subject to change without notice and without incurring liability. Improper installation, adjustment, alteration, service or maintenance can cause property damage or personal injury. Installation and service must be performed by a qualified installer and servicing agency.



SUBMITTAL DATA – WALL MOUNTED

MPC012S4S-1L – MWMC012S4-1L

SINGLE ZONE MINI-SPLIT HEAT PUMP

OUTDOOR SPECIFICATIONS

PERFORMANCE

Cooling Capacity (Max/Min) (Btu/h) ¹	12,000 (13,200/3,500)
EER2	12.8
SEER2	23.5
Heating Capacity (Max/Min) (Btu/h) ¹	12,100 (12,200/5,000)
HSPF2	10.0
Outdoor Fan Total Air Volume (CFM)	1,295
Ambient Temperature Operating Range	
Cooling	-13°F - 122°F
Heating	-13°F - 86°F

ELECTRICAL DATA

Power Supply (V/Hz/Φ)	115/60/1
Minimum Circuit Ampacity (A)	19
Maximum Overcurrent Protection (A)	25
Outdoor Fan Motor RLA (A)	0.6
Compressor RLA (A)	6.4
No. of Compressors	1

GENERAL DATA

Connection Ratio (%)	100%
Max. # of Indoor Units	1 unit
Sound Data (dBA) - Cooling/Heating	54/54
Refrigerant type	R-410A
Factory refrigerant charge	2 lbs. 8 oz.

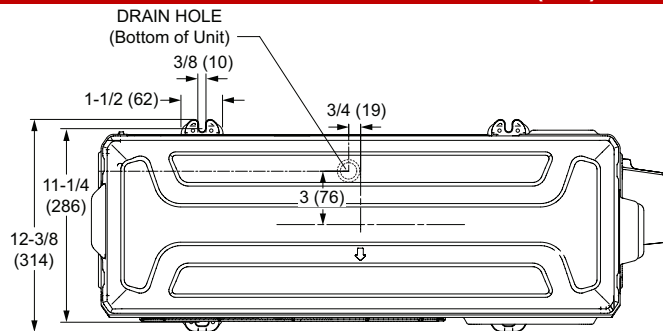
DIMENSIONS

Unit Dimensions (in)	Height	21-7/8
	Width	32-7/8
	Depth	12-3/8
Shipping Weight (lb)		72
Net Weight (lb)		67

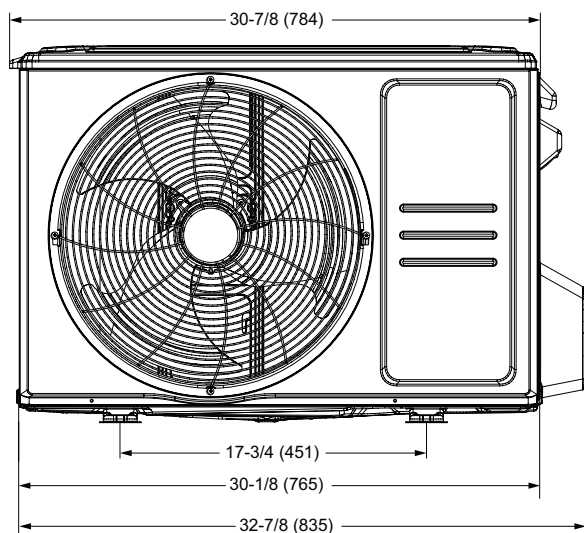
NOTES

- Cooling and Heating Capacity data is rated at the following conditions:
Cooling: 80°FDB / 67°FWB Indoor, 95°FDB Outdoor
Heating: 70°FDB Indoor, 47°FDB / 43°FWB Outdoor

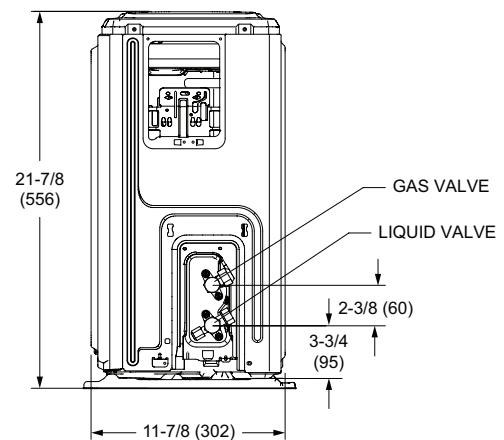
OUTDOOR DIMENSIONAL DRAWINGS - INCHES (MM)



TOP VIEW



FRONT VIEW



SIDE VIEW

NOTE – Due to Lennox' ongoing commitment to quality, Specifications, Ratings, and Dimensions are subject to change without notice and without incurring liability. Improper installation, adjustment, alteration, service or maintenance can cause property damage or personal injury. Installation and service must be performed by a qualified installer and servicing agency.



SUBMITTAL DATA – WALL MOUNTED

MPC012S4S-1L – MWMC012S4-1L

SINGLE ZONE MINI-SPLIT HEAT PUMP

INDOOR SPECIFICATIONS

PERFORMANCE

AIR FLOW (CFM)	High	353
	Medium	294
	Low	235
SOUND PRESSURE (dBA)	High	40.5
	Medium	35
	Low	23.5

DIMENSIONS

Unit Dimensions (in)	Height	11-3/4
	Width	33-3/8
	Depth	9
Shipping Weight (lb)		GJ
Net Weight (lb)		GH

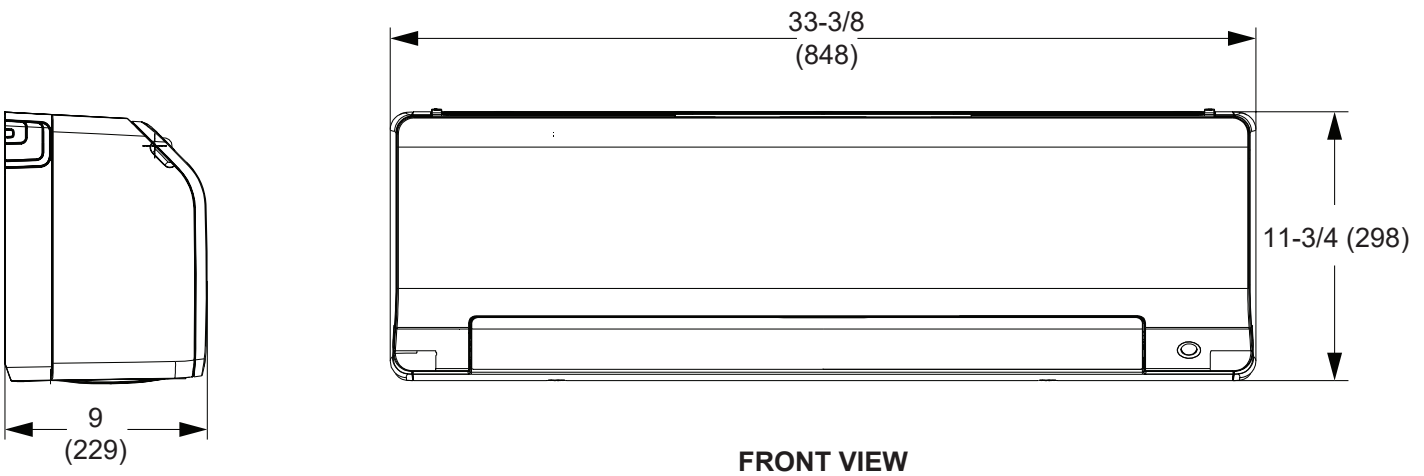
ELECTRICAL DATA

Power Supply (V/Hz/Φ)	Supplied by ODU
Rated Load Amps (RLA)	0.20
Power Output (W)	20

NOTES

1. Cooling and Heating Capacity data is rated at the following conditions:
 Cooling: 80°FDB / 67°FWB Indoor, 95°FDB Outdoor
 Heating: 70°FDB Indoor, 47°FDB / 43°FWB Outdoor

INDOOR DIMENSIONAL DRAWINGS - INCHES (MM)



SIDE VIEW

FRONT VIEW

BOTTOM VIEW

NOTE – Due to Lennox' ongoing commitment to quality, Specifications, Ratings, and Dimensions are subject to change without notice and without incurring liability. Improper installation, adjustment, alteration, service or maintenance can cause property damage or personal injury. Installation and service must be performed by a qualified installer and servicing agency.