



Powered by
SAMSUNG

SUBMITTAL DATA - INDOOR UNIT

VSCC006S4-4P

Ductless Floor Standing

Job: _____
 Location: _____
 Schedule No.: _____
 System Designation: _____

Engineer: _____
 Architect: _____
 Location: _____
 Date: _____
 For: Reference Approval Review Construction

Floor Standing Indoor Unit (Concealed)

FEATURES

- Easy Maintenance
- Advanced Commissioning and Service
- Refrigerant R-410A
- Five Capacity Sizes from 7,6000 to 24,000 Btu/h

WARRANTY

- 10-year limited warranty.*See warranty for details.

SPECIFICATIONS

PERFORMANCE

Cooling Capacity ¹ (Btu/h)		6,000
Heating Capacity ¹ (Btu/h)		6,700
Airflow (CFM)	Low/Medium/High	105/140/175
External Static Pressure (in. w.g.)		-
Sound (dBA)	Low/Medium/High	20/22/23

ELECTRICAL DATA

Power Supply (Volts/Hertz/Phase)	208-230/60/1
Cooling Power Input (W)	35
Cooling Rated Current (A)	0.2
Heating Power Input (W)	35
Heating Rated Current (A)	0.2
Fan Motor Output (W)	10 x 1

DIMENSIONS

Unit Dimensions (in)	Width	37.2
	Height	23.62
	Depth	8.66
Liquid Pipe Connection (in) (I.D.)		1/4
Gas Pipe Connection (in) (I.D.)		1/2
Net Weight (lb)		50.7
Shipping Weight (lb)		59.5

OPTIONAL ACCESSORIES

VSTAT02P-1 Touch Screen Wired Controller	37P79
VSTAT04P-1 Individual Wired Controller	37Y74
VSTAT01P-1 Wireless Remote Controller	37Y73



NOTES

1. Nominal capacity are based on (Refrigerant Piping : 25ft , Level Differences : 0ft);
 .Cooling : Indoor temperature : 80°F DB, 67°F WB / Outdoor temperature : 95°F DB, 75°F WB
 .Heating : Indoor temperature : 70°F DB, 60°F WB / Outdoor temperature : 47°F DB, 43°F WB
2. Sound pressure was acquired in a dead room. Thus actual noise level may be different depending on the installation conditions.
3. Specifications are subject to change without prior notice for product improvement.

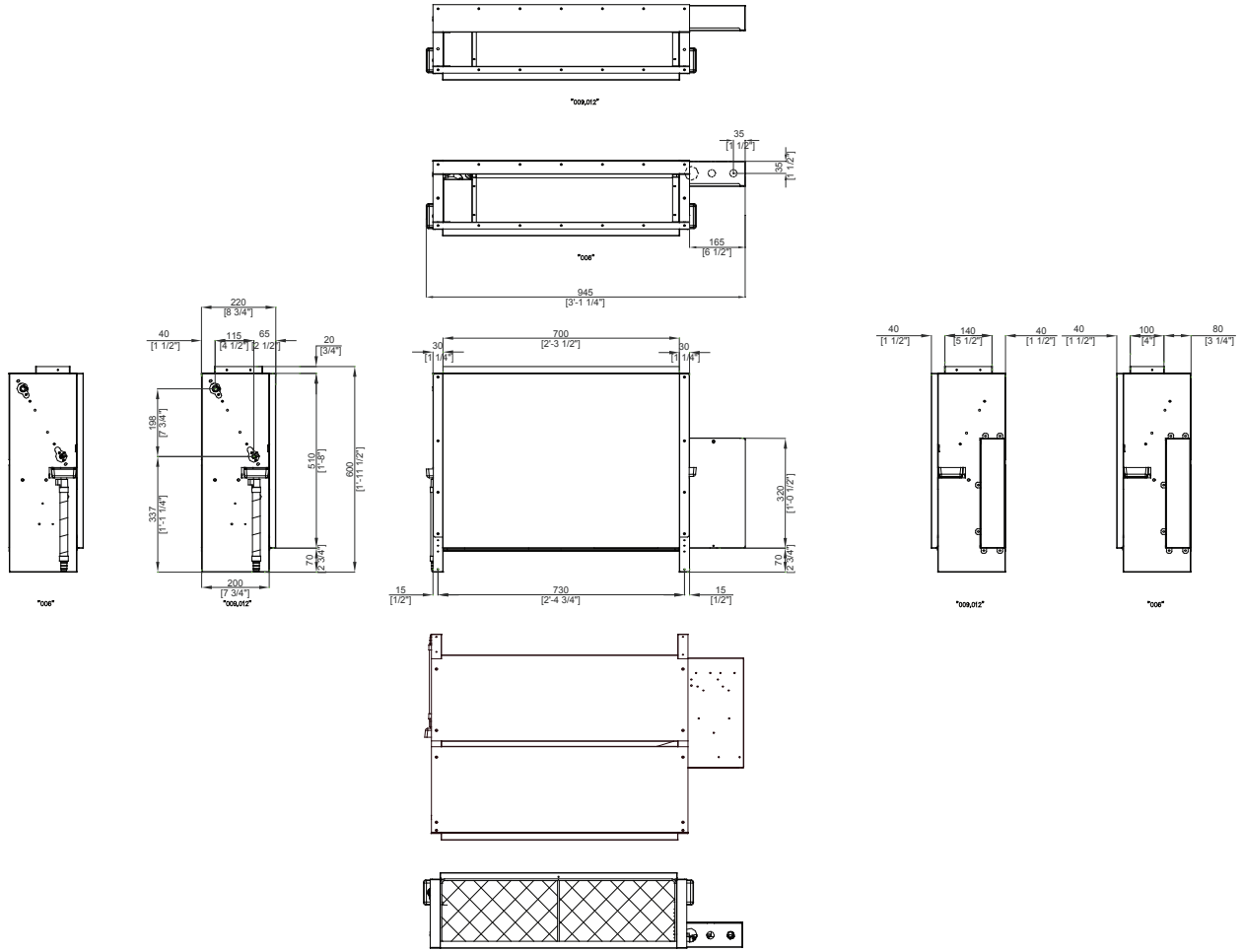


NOTE – Due to Lennox' ongoing commitment to quality, Specifications, Ratings and Dimensions subject to change without notice and without incurring liability. Improper installation, adjustment, alteration, service or maintenance can cause property damage or personal injury. Installation and service must be performed by a qualified installer and servicing agency.

496282 (202412)

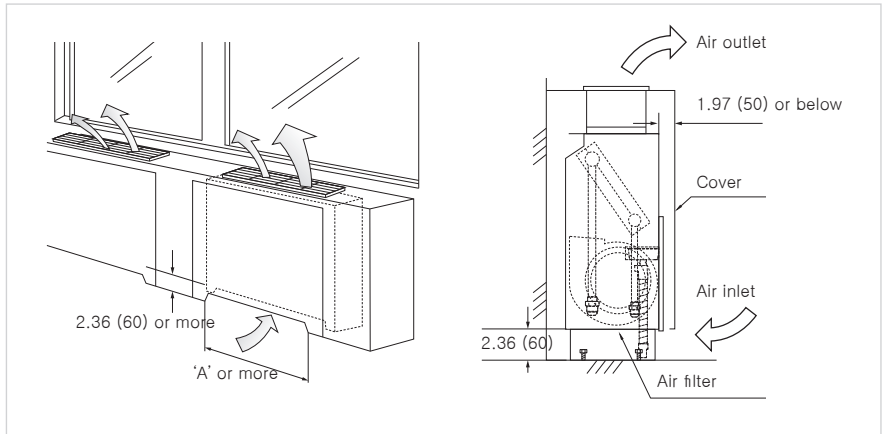
©2024 Lennox Industries Inc.

DIMENSIONAL DRAWINGS - MM (IN.)



* Installation Guide

Unit: inch (mm)



NOTE – Due to Lennox' ongoing commitment to quality, Specifications, Ratings and Dimensions subject to change without notice and without incurring liability. Improper installation, adjustment, alteration, service or maintenance can cause property damage or personal injury. Installation and service must be performed by a qualified installer and servicing agency.