



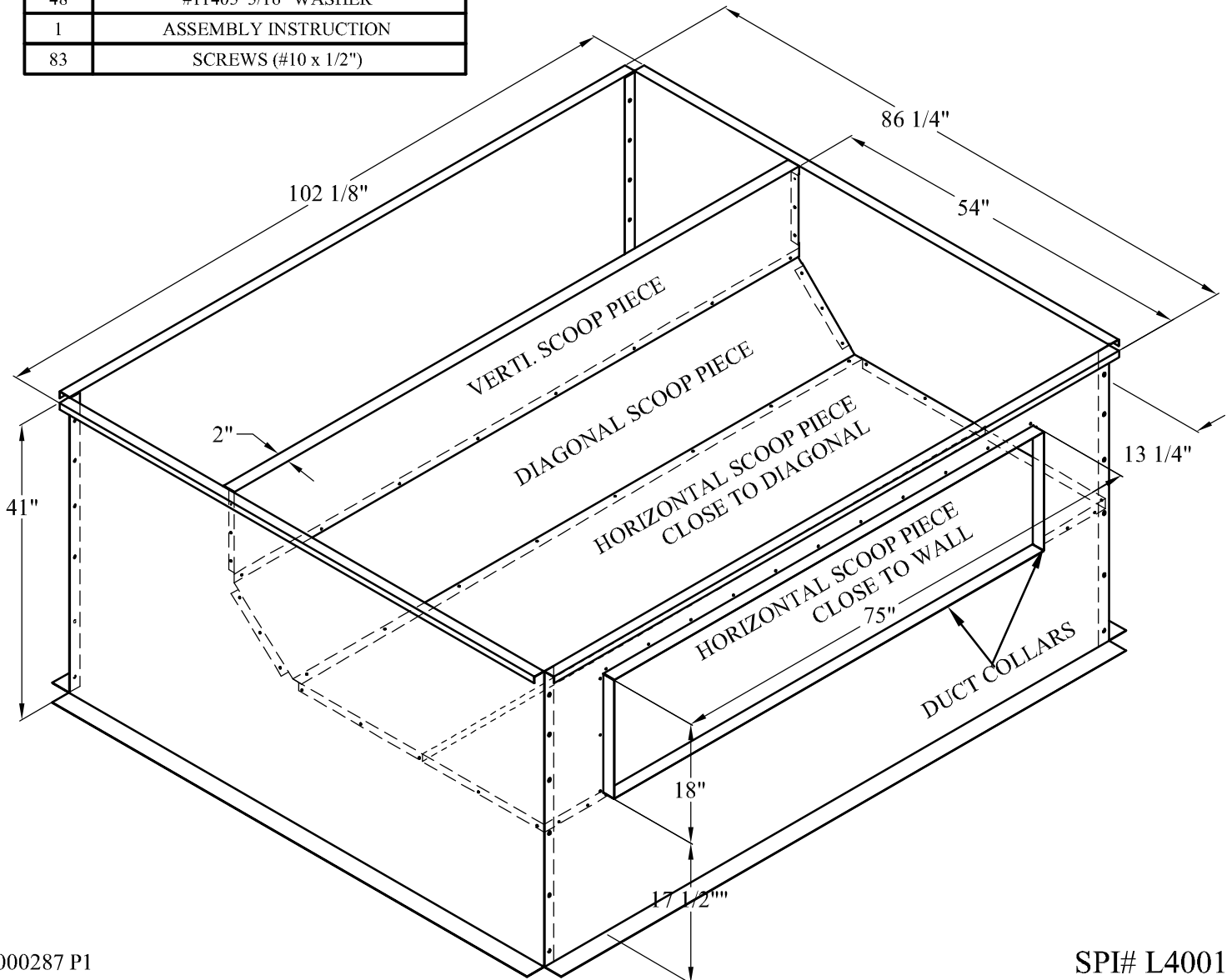
INSTALLATION INSTRUCTIONS FOR HORIZONTAL ROOF FRAME FOR



ENLIGHT "D" BOX
ALL "C" BOX UNITS

SHIPPED KNOCKDOWN FOR
FIELD ASSEMBLY

ASSEMBLY PARTS LIST	
QTY	DESCRIPTION
2	CURB SIDES
2	CURB ENDS
1	VERTICAL SCOOP PIECE
1	DIAGONAL SCOOP PIECE
1	HORIZONTAL SCOOP PIECE
24	#11000 5/16" BOLT X 3/4" LONG
24	#11205 5/16" NUT
48	#11405 5/16" WASHER
1	ASSEMBLY INSTRUCTION
83	SCREWS (#10 x 1/2")



5000287 P1
REV.-JUL. 17 / 24

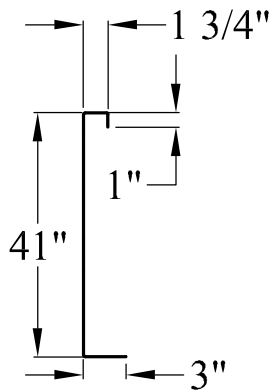
SPI# L4001
CAT#11T97



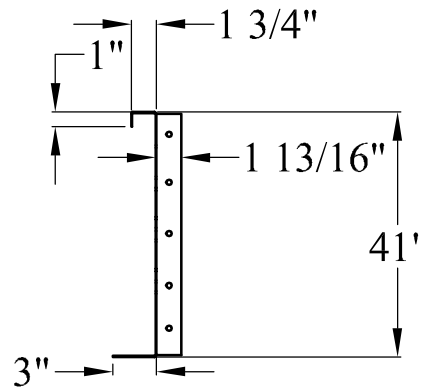
INSTALLATION INSTRUCTIONS FOR
HORIZONTAL ROOF FRAME
FOR



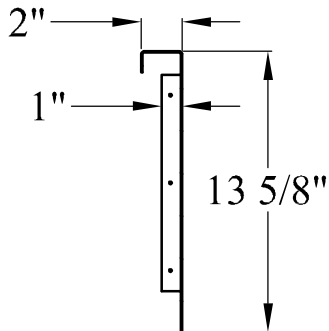
ENLIGHT "D" BOX
ALL "C" BOX UNITS



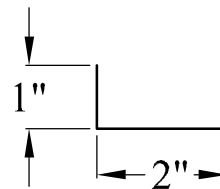
CURB SIDES
W/ OPENING - 75" X 18" -(x1)
W/ O OPENING - (x1)



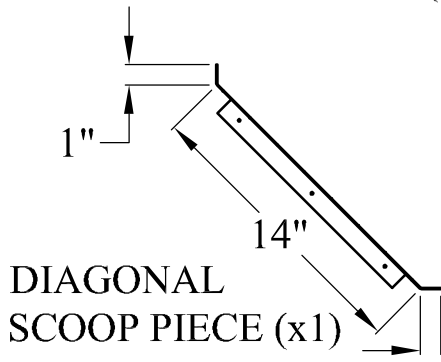
CURB ENDS (x2)



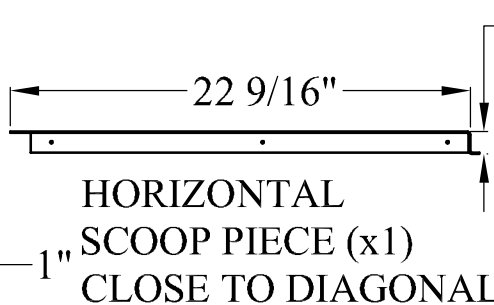
VERTI. SCOOP PIECE (x1)



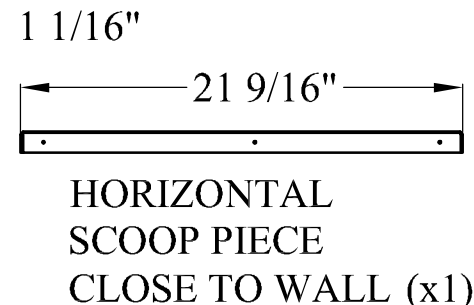
DUCT COLLARS
74 7/8" LONG- (x2)
17 7/8" LONG- (x2)



DIAGONAL SCOOP PIECE (x1)



**HORIZONTAL SCOOP PIECE (x1)
CLOSE TO DIAGONAL**



**HORIZONTAL SCOOP PIECE
CLOSE TO WALL (x1)**



BOLTED
HORIZONTAL ROOF FRAME
FOR



ENLIGHT "D" BOX
ALL "C" BOX UNITS

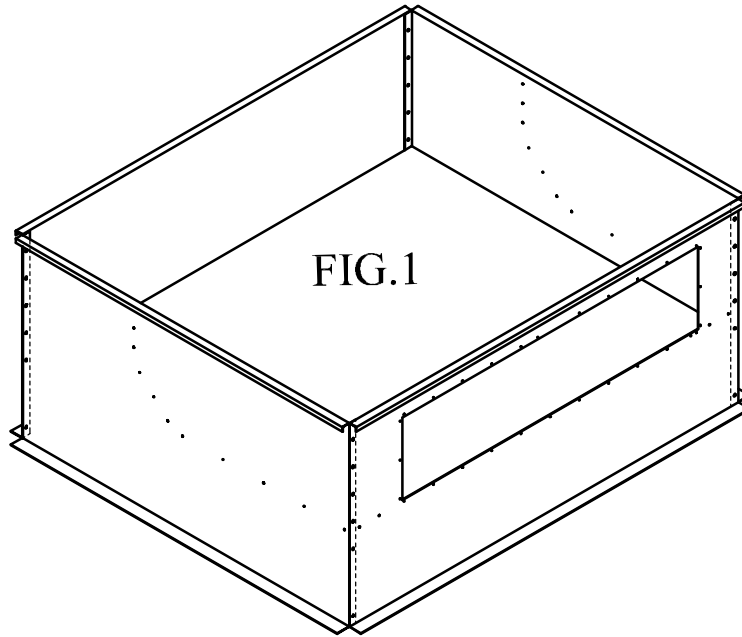


FIG.1

STEP #1 :- ASSEMBLE THE 2 SIDES & 2 ENDS WITH BOLTS PROVIDED KEEPING BOLT HEADS TO EXTERIOR OF CURB.

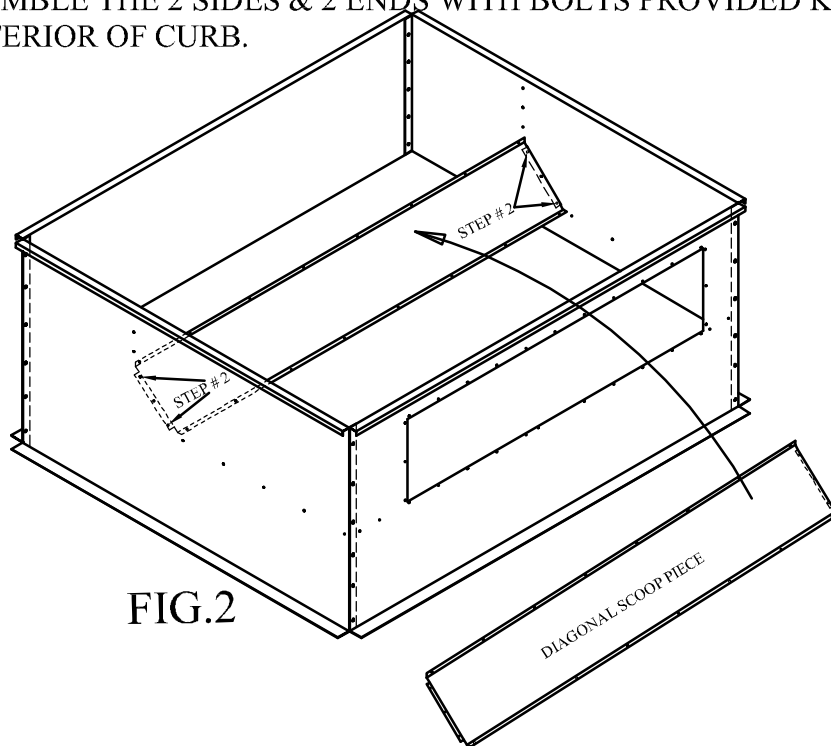


FIG.2

STEP #2 :- LINE UP THE HOLES ON THE DIAGONAL SCOOP PIECE WITH THOSE ON BOTH CURB SIDES AND USE #10 SCREWS TO SECURE SCOOP IN PLACE.



BOLTED HORIZONTAL ROOF FRAME FOR



ENLIGHT "D" BOX ALL "C" BOX UNITS

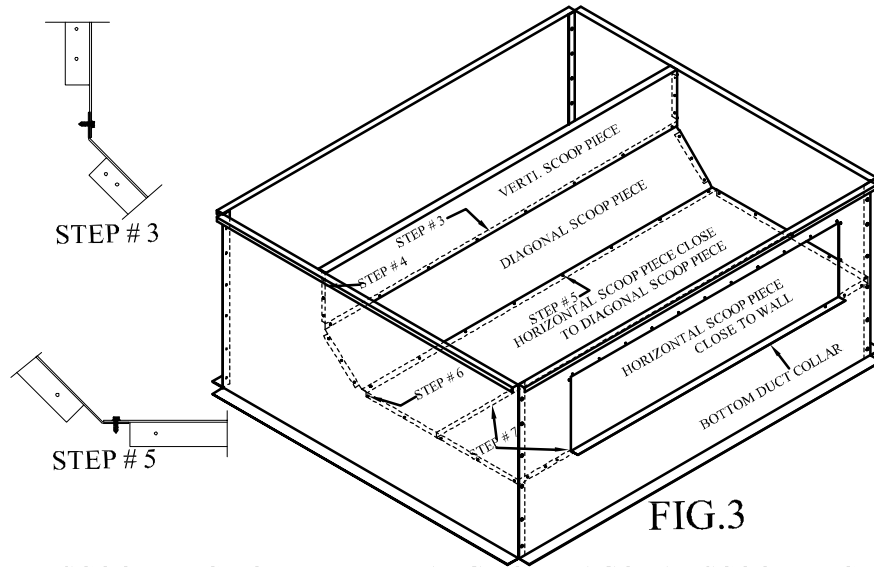


FIG.3

STEP #3 :- PLACE VERTI. SCOOP PIECE OVER THE FLANGE OF DIAGONAL SCOOP PIECE SO THAT #10 SCREW CLERANCE HOLES IN VERTICAL PIECE LINE UP WITH 1/8" SCREW HOLES IN DIAGONAL PIECE.

STEP #4:- USE #10 HOLES PROVIDED IN OUTSIDE WALLS TO SECURE VERTICAL PIECE FIRMLY IN PLACE. MAKE SURE THE FLANGES IN VERTICAL PIECE ARE FACING DOWN(FIG. 3)

STEP #5:- ALIGN #10 CLERANCE HOLES PROVIDED IN THE HORI. PIECE WITH 1/8" HOLES IN DIAGONAL PIECE FLANGE.

STEP #6:- LOCATE CORRESPONDING HOLES IN THE OUTSIDE WALLS AND SECURE HORI. PIECE IN PLACE. (FIG. 3)

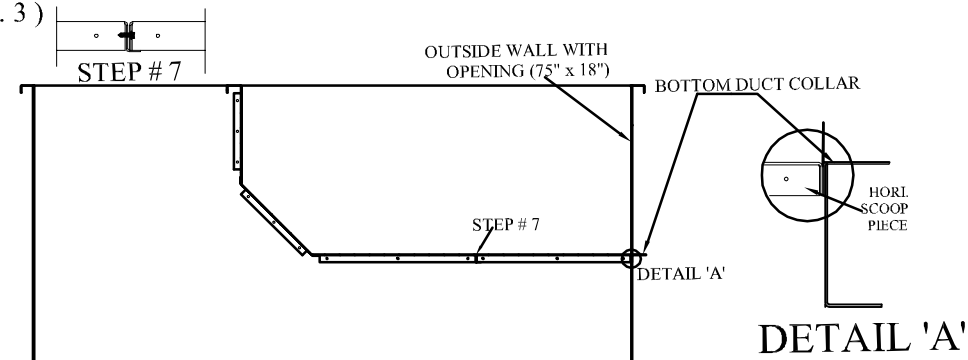


FIG.4

STEP #7:- ATTACH TWO HORIZONTAL SCOOP PIECES AS SHOWN IN STEPS #7 USING #10 SCREWS PROVIDED. REPEAT STEP # 6 TO LOCATE CORRESPONDING HOLES IN OUTSIDE WALLS.

SLIDE BOTTOM DUCT COLLAR IN BETWEEN WALL (WITH OPENING-75" x 18") & HORI. SCOOP PIECE. SCREW ALL THREE PIECES TOGETHER. (DETAIL 'A').



BOLTED
HORIZONTAL ROOF FRAME
FOR



ENLIGHT "D" BOX
ALL "C" BOX UNITS

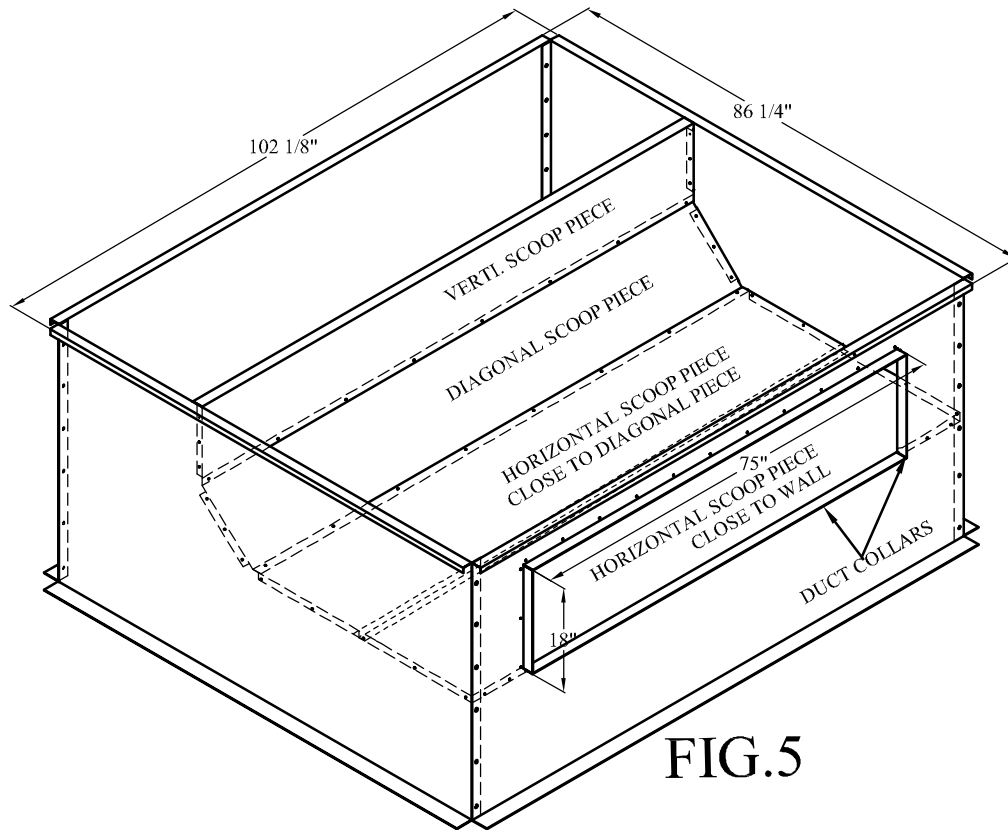


FIG.5

STEP #8:- INSTALL OTHER DUCT COLLAR PIECES. (SEE FIG. 5)